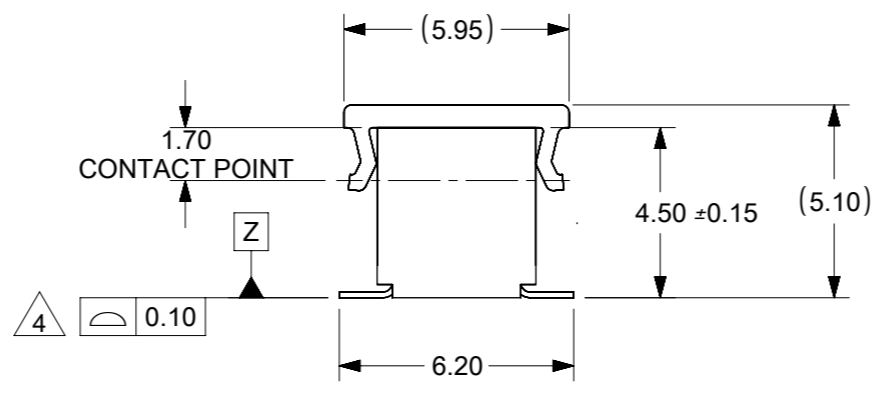
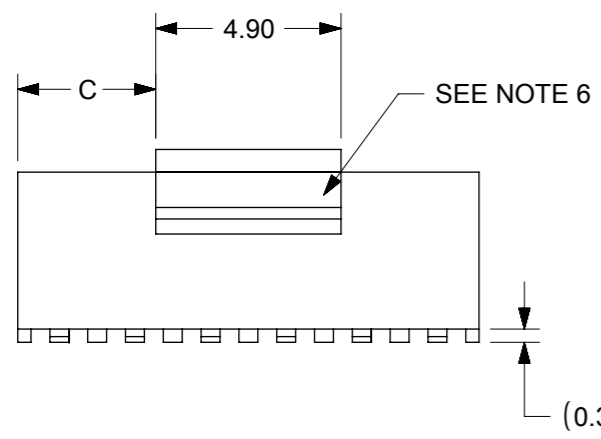
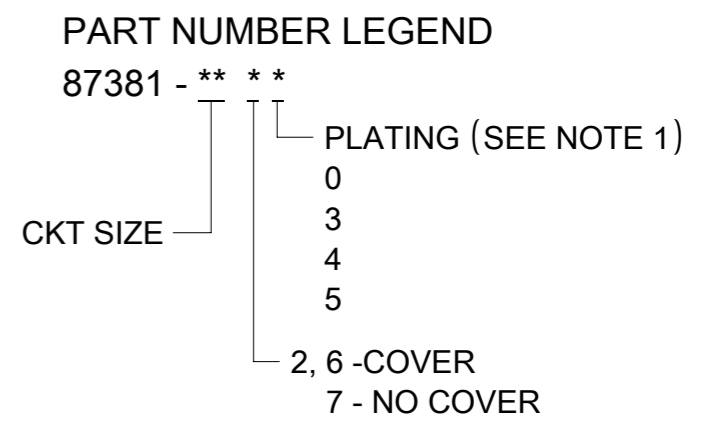


RECOMENDED PCB LAYOUT



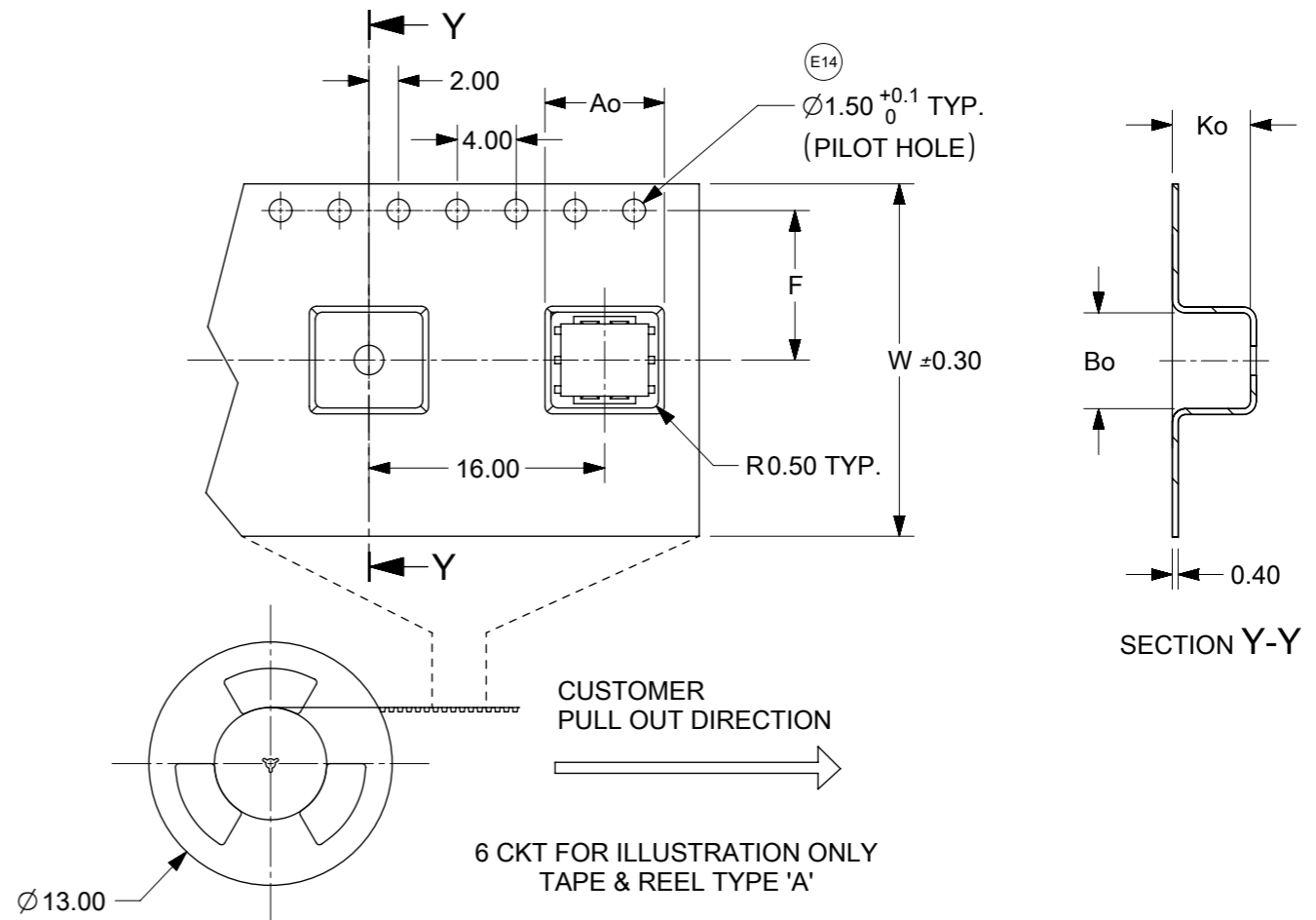
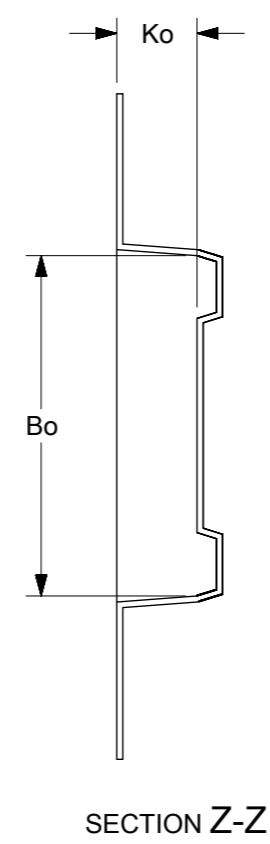
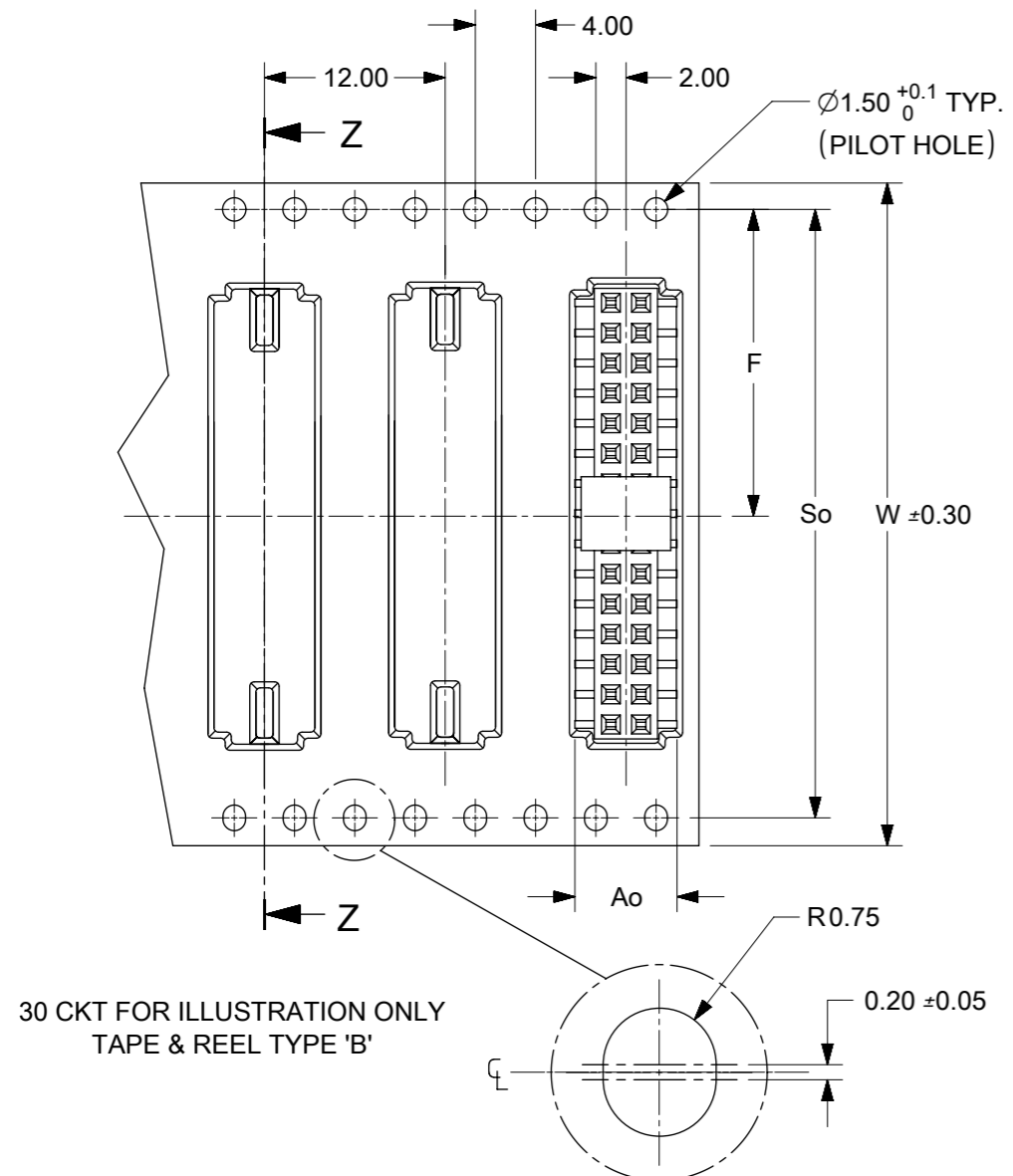
PART NUMBER W/CAP IN TUBE	CKT. SIZE	DIM A	DIM B	DIM C
87381-06**	6	6.00	4.00	0.55
87381-08**	8	8.00	6.00	1.55
87381-10**	10	10.00	8.00	2.55
87381-12**	12	12.00	10.00	3.55
87381-14**	14	14.00	12.00	4.55
87381-16**	16	16.00	14.00	5.55
87381-18**	18	18.00	16.00	6.55
87381-20**	20	20.00	18.00	7.55
87381-22**	22	22.00	20.00	8.55
87381-24**	24	24.00	22.00	9.55
87381-26**	26	26.00	24.00	10.55
87381-28**	28	28.00	26.00	11.55
87381-30**	30	30.00	28.00	12.55
87381-32**	32	32.00	30.00	13.55
87381-34**	34	34.00	32.00	14.55
87381-36**	36	36.00	34.00	15.55
87381-38**	38	38.00	36.00	16.55
87381-40**	40	40.00	38.00	17.55
87381-42**	42	42.00	40.00	18.55
87381-44**	44	44.00	42.00	19.55
87381-46**	46	46.00	44.00	20.55
87381-48**	48	48.00	46.00	21.55
87381-50**	50	50.00	48.00	22.55

- NOTES:
- PLATING FINISH:
 - 0, 3 - 0.76µm MIN. GOLD IN CONTACT AREA 1.27µm MIN. TIN IN SOLDER TAIL AREA BOTH OVER 1.27µm MIN. NICKEL OVERALL
 - 4 - 0.38µm MIN. GOLD IN CONTACT AREA 1.27µm MIN. TIN IN SOLDER TAIL AREA BOTH OVER 1.27µm MIN. NICKEL OVERALL
 - 5 - 0.05µm MIN. GOLD FLASH IN CONTACT AREA 1.90µm MIN. TIN IN SOLDER TAIL AREA BOTH OVER 1.27µm MIN. NICKEL OVERALL
 - 12 CKT SIZE SHOWN FOR ASSY ILLUSTRATION ONLY. (SEE CHART FOR ALL PART SIZES), 6 CKT & 30 CKT ILLUSTRATED FOR TAPE/REEL VERSION ON SHT 2.
 - PRODUCT SPECIFICATION PS-87380 APPLIES. COPLANARITY OF SOLDER TAILS ARE TO BE MEASURED BY RESTING THE PART ON A FLAT GAUGE SURFACE +0.05 UPWARDS AND -0.05 DOWNWARDS.
 - TUBE PACKAGING STANDARD.
 - COVER IS OPTIONAL, SEE LEGEND.
 - PARTS SHALL BE PACKED IN MOISTURE BARRIER BAG.
 - REFER SHT 3 FOR P/N: 87381-6000 T&R ILLUSTRATION.
 - PEG AND PCB HOLE OPTIONAL DEPENDING UPON THE PART

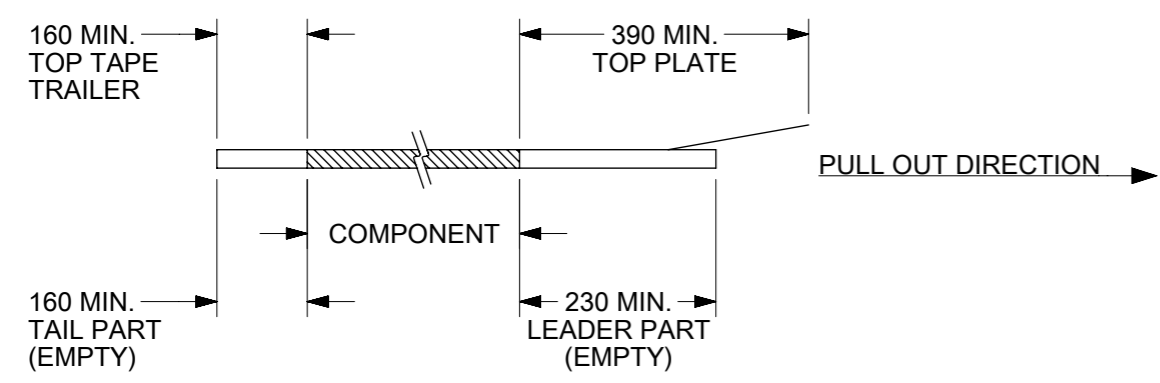


THIS DRAWING CONTAINS INFORMATION THAT IS PROPRIETARY TO MOLEX ELECTRONIC TECHNOLOGIES, LLC AND SHOULD NOT BE USED WITHOUT WRITTEN PERMISSION

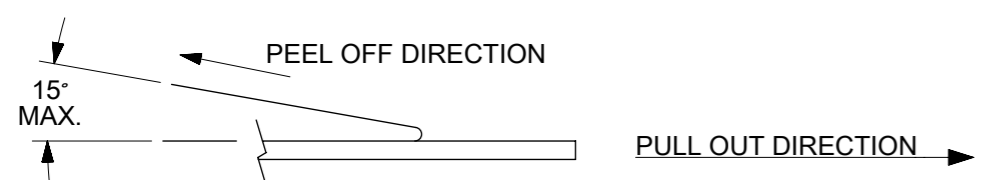
DIMENSION UNITS	SCALE	CURRENT REV DESC:		molex	
mm	NTS				
GENERAL TOLERANCES (UNLESS SPECIFIED)		EC NO: 629056		MGRID, TOP ENTRY RECEPT. 4.50MM HT., SMT	
		DRWN: ABABUPS 2019/10/31			
		CHK'D: MRAMAKRISHNA 2019/12/12			
		APPR: MRAMAKRISHNA 2019/12/12		PRODUCT CUSTOMER DRAWING	
		INITIAL REVISION:		DOCUMENT NUMBER	
		DRWN: JAMES 1998/01/08		SD-87381-XX6X	
		APPR: SQUEK 1999/04/26		DOC TYPE DOC PART REVISION	
		DRAFT WHERE APPLICABLE MUST REMAIN WITHIN DIMENSIONS		PSD 001 E16	
		THIRD ANGLE PROJECTION		MATERIAL NUMBER	
		DRAWING		CUSTOMER	
		SERIES		SHEET NUMBER	
		A3-SIZE 87381		SEE CHART GENERAL MARKET 1 OF 5	



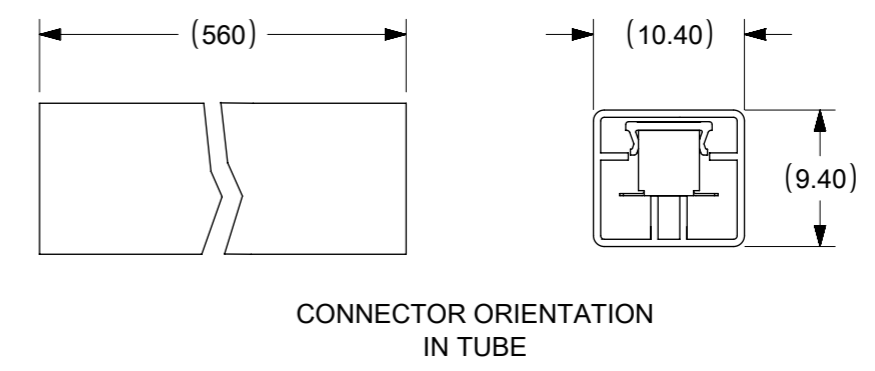
NOTES:
1. LEADER AND TRAILER TAPE



2. PEELING OFF FORCE OF THE TOP TAPE: 20-80gf.
(PEELING DIRECTION AS SHOWN IN FOLLOWING FIGURE)



3. PACKAGING STANDARD IS AS PER EIA-481.
4. TAPE & REEL QUANTITY = SEE TABLE



THIS DRAWING CONTAINS INFORMATION THAT IS PROPRIETARY TO MOLEX ELECTRONIC TECHNOLOGIES, LLC AND SHOULD NOT BE USED WITHOUT WRITTEN PERMISSION												
DIMENSION UNITS		SCALE		CURRENT REV DESC:						molex		
mm		NTS										
GENERAL TOLERANCES (UNLESS SPECIFIED)				EC NO: 629056		MGRID, TOP ENTRY RECEPT. 4.50MM HT., SMT		PRODUCT CUSTOMER DRAWING				
4 PLACES		±		DRWN: ABABUPS		2019/10/31		DOCUMENT NUMBER		DOC TYPE	DOC PART	REVISION
3 PLACES		±		CHK'D: MRAMAKRISHNA		2019/12/12		SD-87381-XX6X		PSD	001	E16
2 PLACES		±	0.2	APPR: MRAMAKRISHNA		2019/12/12		INITIAL REVISION:				
1 PLACE		±		DRWN: JAMES		1998/01/08		SERIES		MATERIAL NUMBER	CUSTOMER	SHEET NUMBER
0 PLACES		±		APPR: SQUEK		1999/04/26		A3-SIZE		87381	GENERAL MARKET	2 OF 5
ANGULAR TOL ± 3.0°				DRAFT WHERE APPLICABLE MUST REMAIN WITHIN DIMENSIONS		THIRD ANGLE PROJECTION		DRAWING				

CKT SIZE	PART No. IN TUBE	PART NO. WITH CAP IN TAPE/REEL	PART NO. WITH PEG WITH CAP IN TAPE/REEL	W	So	Ao	F	Bo	Ko	T & R QUANTITY PER REEL
6	87381-0664	87381-9002	-	24	-	7.00	11.50	6.50	5.30	500
8	87381-0864	87381-9003	-	24	-	7.00	11.50	8.50	5.30	600
10	87381-1064	87381-9005	-	24	-	7.00	11.50	10.50	5.30	680
12	87381-1264	87381-9007	-	24	-	7.00	11.50	12.50	5.30	600
14	87381-1464	87381-9006	-	32	28.40	7.20	14.20	14.50	5.30	750
16	87381-1664	87381-9004	-	32	28.40	7.20	14.20	16.50	5.30	800
18	87381-1864	87381-1800	-	32	28.40	7.20	14.20	18.50	5.30	750
20	87381-2063	87381-2000	-	32	28.40	7.20	14.20	20.50	5.30	800
22	87381-2264	87381-2200	-	44	40.40	7.20	20.20	22.50	5.30	500
30	87381-3064	87381-3000	-	44	40.40	7.20	20.20	30.50	5.30	500
32	87381-3264	87381-3200	-	44	40.40	7.20	20.20	32.50	5.30	500
34	87381-3464	87381-3400	-	56	52.40	7.20	26.20	34.50	5.30	500
40	87381-4063	-	-	56	52.40	8.40	26.20	40.40	5.60	750
40	-	87381-4000	-	56	52.40	8.40	26.20	40.40	5.60	400
44	87381-4464	87381-4400	-	56	52.40	7.20	26.20	44.50	5.30	500
46	87381-4664	87381-4600	-	72	68.40	7.20	34.20	46.50	5.30	750
50	87381-5063	87381-5030	-	72	68.40	7.20	34.20	50.50	5.30	500
50	87381-5064	87381-5000	-	72	68.40	7.20	34.20	50.50	5.30	500

THIS DRAWING CONTAINS INFORMATION THAT IS PROPRIETARY TO MOLEX ELECTRONIC TECHNOLOGIES, LLC AND SHOULD NOT BE USED WITHOUT WRITTEN PERMISSION									
DIMENSION UNITS		SCALE		CURRENT REV DESC:				molex	
mm		NTS							
GENERAL TOLERANCES (UNLESS SPECIFIED)				EC NO: 629056				MGRID, TOP ENTRY RECEPT. 4.50MM HT., SMT	
		MM	INCH	DRWN: ABABUPS 2019/10/31					
4 PLACES		±	±	CHK'D: MRAMAKRISHNA 2019/12/12				PRODUCT CUSTOMER DRAWING	
3 PLACES		±	±	APPR: MRAMAKRISHNA 2019/12/12					
2 PLACES		±	0.2	INITIAL REVISION:				DOCUMENT NUMBER	
1 PLACE		±	±	DRWN: JAMES 1998/01/08					
0 PLACES		±	±	APPR: SQUEK 1999/04/26				SD-87381-XX6X	
ANGULAR TOL		± 3.0°		THIRD ANGLE PROJECTION		DRAWING	SERIES	MATERIAL NUMBER	CUSTOMER
DRAFT WHERE APPLICABLE MUST REMAIN WITHIN DIMENSIONS						A3-SIZE	87381	SEE CHART	GENERAL MARKET
									SHEET NUMBER
									3 OF 5

DOCUMENT STATUS	P1	RELEASE DATE	2019/12/12	12:22:42
-----------------	----	--------------	------------	----------

9

8

7

6

5

4

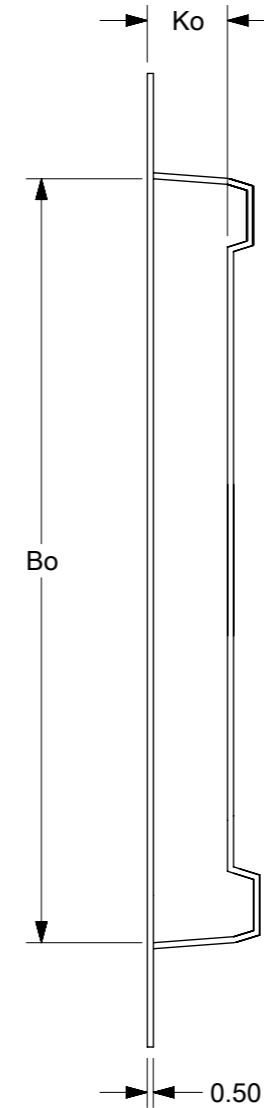
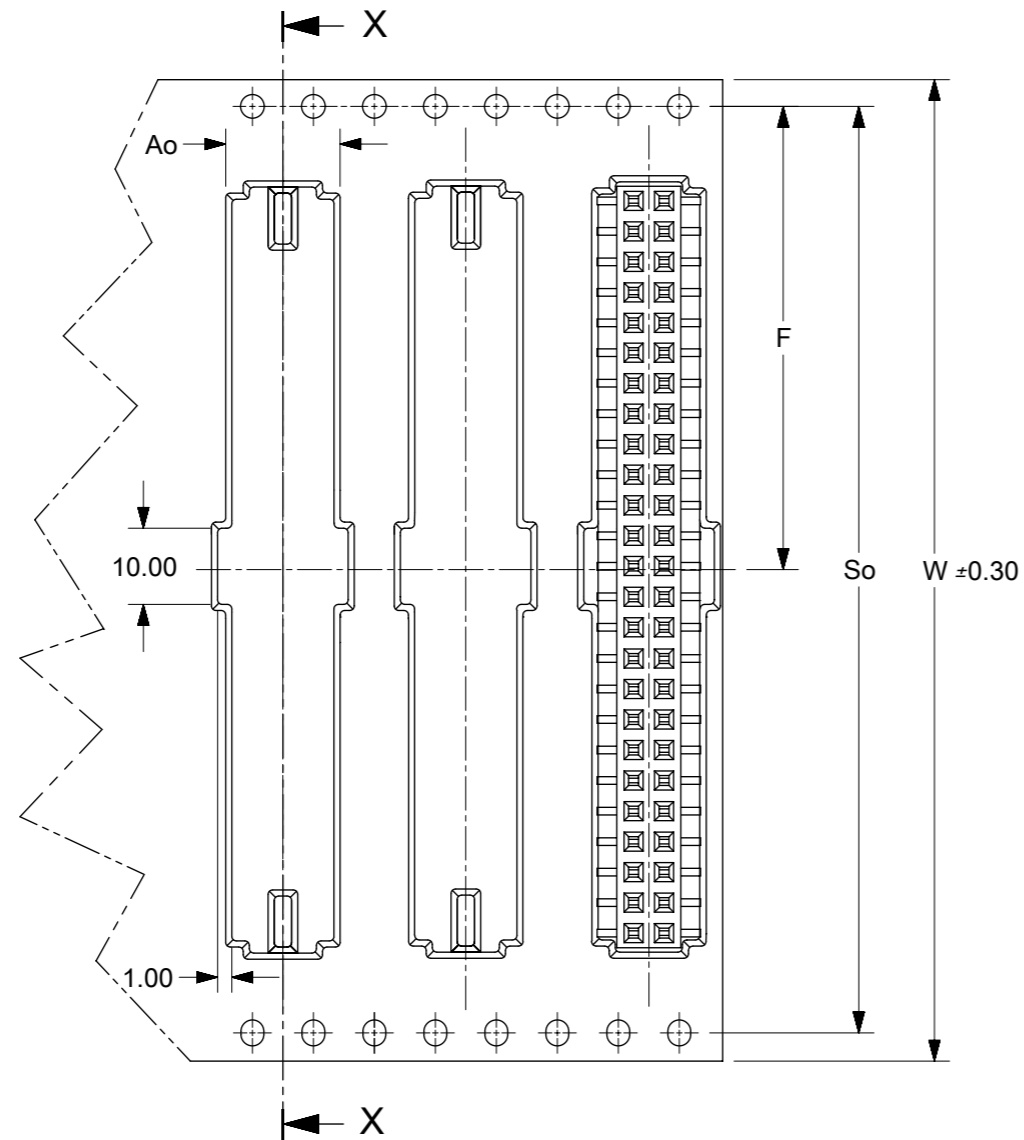
3

2

1

CKT SIZE	PART No. WITHOUT CAP IN TUBE	PART NO. WITHOUT CAP IN TAPE / REEL	W	So	Ao	F	Bo	Ko	T & R TYPE (SHT 2)	T&R QTY PER REEL
50	87381-5074	87381-6000 \triangle_8	72	68.40	6.80	34.20	50.50	8.00	B	500

\triangle_8 ILLUSTRATION FOR P/N: 87381-6000
50 CKT IN T&R W/O CAP



SECTION X-X

DIMENSION UNITS		SCALE		CURRENT REV DESC:				molex			
mm		NTS		EC NO: 629056				MGRID, TOP ENTRY RECEPT. 4.50MM HT., SMT			
GENERAL TOLERANCES (UNLESS SPECIFIED)				DRWN: ABABUPS 2019/10/31							
				CHK'D: MRAMAKRISHNA 2019/12/12				PRODUCT CUSTOMER DRAWING			
				APPR: MRAMAKRISHNA 2019/12/12							
				INITIAL REVISION:				DOCUMENT NUMBER			
				DRWN: JAMES 1998/01/08				SD-87381-XX6X			
				APPR: SQUEK 1999/04/26				PSD 001 E16			
ANGULAR TOL ± 3.0°				DRAFT WHERE APPLICABLE MUST REMAIN WITHIN DIMENSIONS				THIRD ANGLE PROJECTION			
				DRAWING				SERIES			
				A3-SIZE				87381			
				MATERIAL NUMBER				CUSTOMER			
				SEE CHART				GENERAL MARKET			
				SHEET NUMBER				4 OF 5			

DOCUMENT STATUS P1 RELEASE DATE 2019/12/12 12:22:42

FORMAT: Mef-lega-master-ib-prod-A3
REVISION: 0
DATE: 2017/10/08

9

8

7

6

5

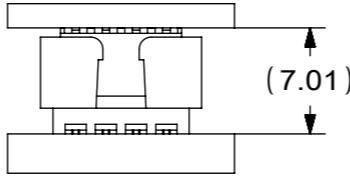
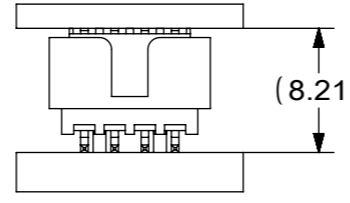
4

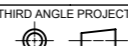
3

2

1

BOARD TO BOARD (BTB) DISTANCE

RECEPTACLE	MATES WITH(HEADER)	BTB DISTANCE	PICTORIAL VIEW
87381	87831	7.01	
	87832	8.21	

THIS DRAWING CONTAINS INFORMATION THAT IS PROPRIETARY TO MOLEX ELECTRONIC TECHNOLOGIES, LLC AND SHOULD NOT BE USED WITHOUT WRITTEN PERMISSION									
DIMENSION UNITS		SCALE		CURRENT REV DESC:				molex	
mm		NTS							
GENERAL TOLERANCES (UNLESS SPECIFIED)				EC NO: 629056				MGRID, TOP ENTRY RECEPT. 4.50MM HT., SMT	
		MM	INCH	DRWN: ABABUPS		2019/10/31			
4 PLACES		±	±	CHK'D: MRAMAKRISHNA		2019/12/12			
3 PLACES		±	±	APPR: MRAMAKRISHNA		2019/12/12			
2 PLACES		± 0.2	±	INITIAL REVISION:				PRODUCT CUSTOMER DRAWING	
1 PLACE		±	±	DRWN: DRWN BY		XXXX/XX/XX		DOCUMENT NUMBER	
0 PLACES		±	±	APPR: APPR BY		XXXX/XX/XX		SD-87381-XX6X	
ANGULAR TOL		± 3.0°		THIRD ANGLE PROJECTION		DRAWING		DOC TYPE	
DRAFT WHERE APPLICABLE MUST REMAIN WITHIN DIMENSIONS						A3-SIZE		PSD	
				SERIES		MATERIAL NUMBER		DOC PART	
				87381				001	
				CUSTOMER		SHEET NUMBER		REVISION	
				GENERAL MARKET		5 OF 5		E16	