

1

2

3

4

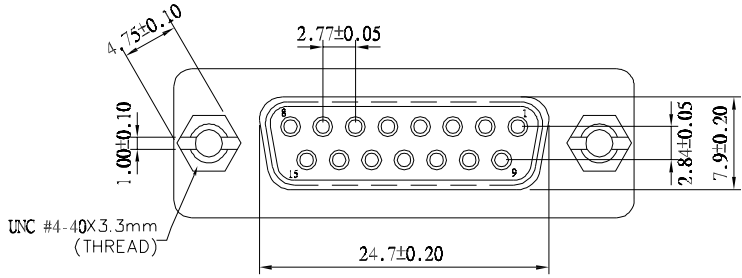
5

6

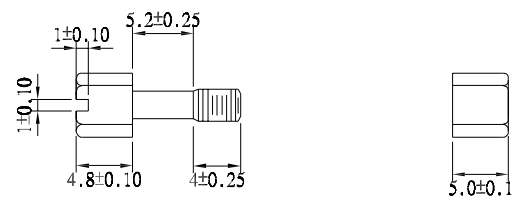
7

A

A



UNC #4-40 Hexscrew UNC #4-40 Hexnut

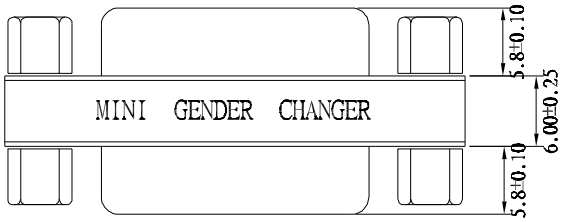


B

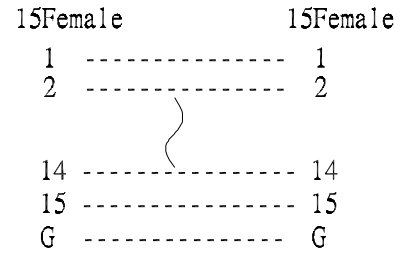
B

C

C



DGC 15 F/F GENDER CHANGER
PIN OUT:

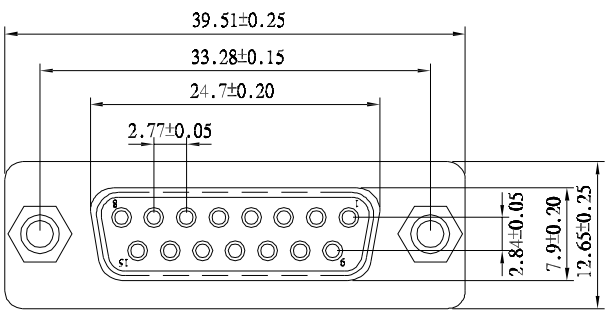


D

D

E

E



Label: yellow color with black character
 One side: MINI GENDER CHANGER
 The other side: U.S.A. PATENT 5199906
 SPECIFICATION
 INSULATOR: PBT Glass fibre reinforced UL 94 V0
 CONTACT: Brass
 CONTACT PLATING: Gold plated over nickel
 SHELL: Tin Plated Shell

F

F

G

G

Scale	Free					Date	Name	Customer-No.	
TOLERANCE						Drawn	08.04.2017	Winnie	
X.X	0.20					Approved	08.04.2017	Winnie	
X.XX	±0.15								
X.XXX	±0.05								
DIM	TOL								
		©	Drawn	08.04.2017	Winnie				
Angle	TOL	Id.	Modification	Date	Name				
								ASSMANN WSW-No. AB413	
								Drawing-No. ASS 7548 CO	rev00
								Replace	Sheet

H

H

RoHS compliant
Unit: mm

1

2

3

4

5

6

7