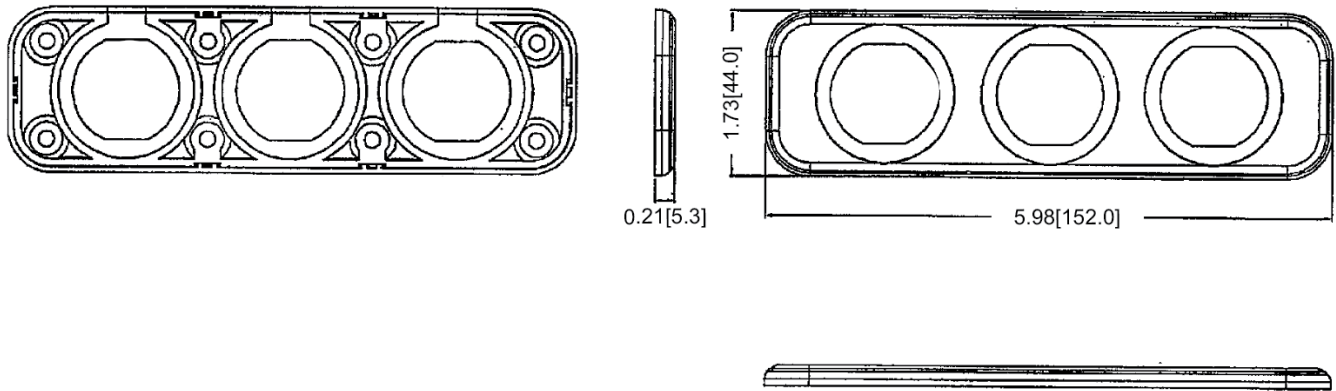


Mechanical Dimensions: Inches [mm]Tolerances ± 0.012 [0.3] Unless Otherwise Specified**Specifications**

Double layers three holes plate

Screws included

Flush mount

Fit with A1 Series - USB Socket, Outlet Socket, Voltmeter and Amp Meter

Nylon (UL94V-2), Black

Rev **Date of issue** **Revision Notes**

Designed **Approved**

A	12-03-2020	Initial Drawing	RC	OF
---	------------	-----------------	----	----