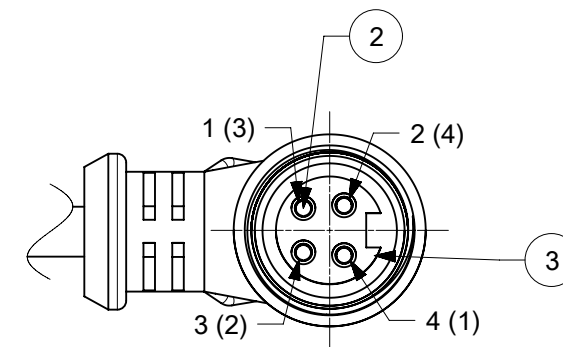


PART NUMBER MATRIX  
**104001K03M010**

FINISH LENGTH  
 M001 = 0.1 METER  
 M010 = 1 METER  
 M100 = 10 METER

CENELEC EN 50 044 PINOUT SHOWN  
 (SAE-J-1738A SHOWN IN PARENTHESIS)



FEMALE FACE VIEW

BLACK	4 (1)
BLUE	3 (2)
BROWN	1 (3)
WHITE	2 (4)

NOTE:

- MATERIAL: SEE TABLE
- FINISHES: SEE TABLE
- ELECTRICAL DATA  
 MAX. VOLTAGE: 300V  
 MAX. CURRENT: 5.6A
- ENVIRONMENTAL  
 PROTECTION: IP67 WHEN FULLY MATED  
 TEMPERATURE RATING: -40C TO 105C
- COUPLING THREAD: 7/8-16 UN
- ALL DIMS ARE FOR REFERENCE UNLESS TOLERANCED OR NOTED OTHERWISE

CABLE LENGTH TOLERANCES

- >.3M [1FT]: +19mm-0 [ +.75in-0]
- .3 - .9M [1 - 3FT]: +44.5mm-0 [+1.75in-0]
- .9 - 1.8M [3 - 6FT]: +55.6mm-0 [+2.19in-0]
- 1.8 - 3.7M [6 - 12FT]: +88.9mm-0 [+3.50in-0]
- 3.7 - 7.3M [12 - 24FT]: +165.1mm-0 [+6.50in-0]
- 7.3-14.6M [24 - 48FT]: +317.5mm-0 [+12.50in-0]
- 14.6 - 30.5M [48-100FT]: +622.3mm-0 [+24.50in-0]
- OVER 30M [100FT] +2% OF FINISHED LENGTH

PART NO.	ENGINEERING NO.	FINISHED LENGTH
1300062562	104001K03M010	1M
1300060982	104001K03M020	2M
1300060983	104001K03M030	3M
1300060984	104001K03M050	5M
1300060987	104001K03M100	10M
1300062563	104001K03M150	15M
1300062564	104001K03M200	20M

ITEM	DESCRIPTION	MATERIAL	FINISH
6	WRAP LABEL	VINYL	YELLOW/BLACK
5	OVER MOLD	TPE	YELLOW
4	MALE COUPLING NUT	ZINC	BLACK
3	4P FEMALE INSERT	TPE	YELLOW
2	SOCKET CONTACT	CU ALLOY	GOLD PLATED
1	CABLE 18/4 AWG SHIELDED	TPE JACKET	YELLOW

RELEASE STATUS	P1	RELEASE DATE	2019/08/14	16:47:58
----------------	----	--------------	------------	----------

THIS DRAWING CONTAINS INFORMATION THAT IS PROPRIETARY TO MOLEX ELECTRONIC TECHNOLOGIES, LLC AND SHOULD NOT BE USED WITHOUT WRITTEN PERMISSION		CURRENT REV DESC: RELEASE			
DIMENSION UNITS: HYBRID SCALE: 1:1	GENERAL TOLERANCES (UNLESS SPECIFIED) ANGULAR TOL ± °		EC NO: 621173 DRWN: ALEON01 2019/08/02 CHK'D: CCHRSTKA 2019/08/05 APPR: BWOODMAN 2019/08/14		
4 PLACES ± 3 PLACES ± 2 PLACES ± 1 PLACE ± 0 PLACES ±	INITIAL REVISION: DRWN: ALEON01 2019/08/02 APPR: BWOODMAN 2019/08/14		PRODUCT CUSTOMER DRAWING DOCUMENT NUMBER: 1300062562 DOC TYPE: PSD DOC PART: 000 REVISION: A		
DRAFT WHERE APPLICABLE MUST REMAIN WITHIN DIMENSIONS	THIRD ANGLE PROJECTION	DRAWING: B-SIZE	SERIES: 130006	MATERIAL NUMBER:	CUSTOMER:
				SHEET NUMBER: 1 OF 1	