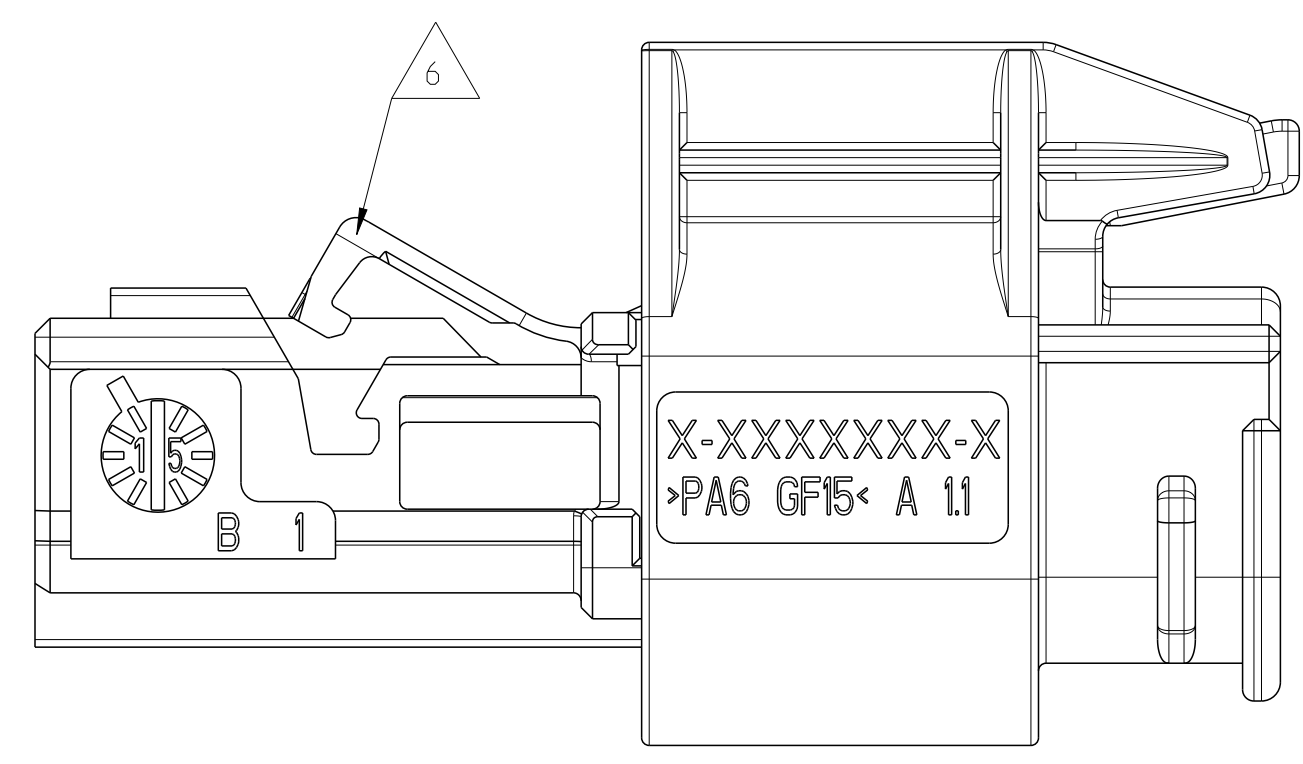
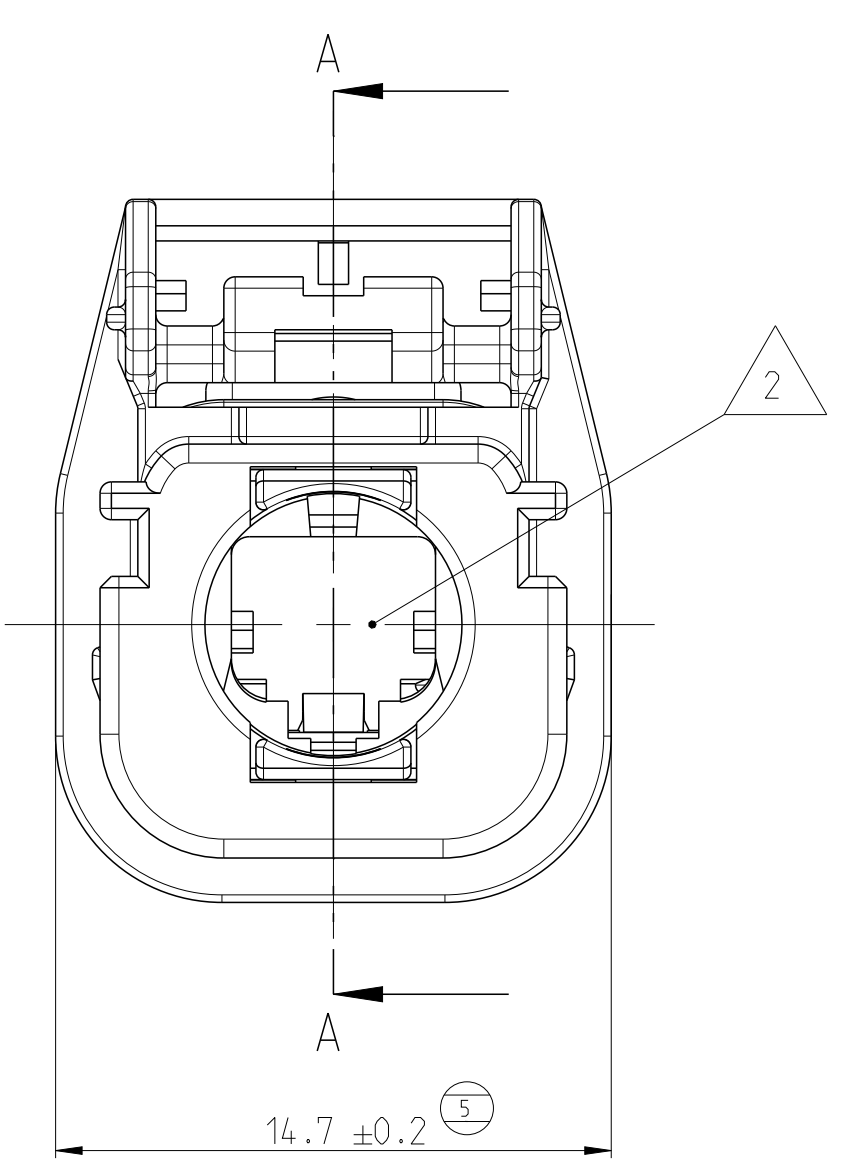
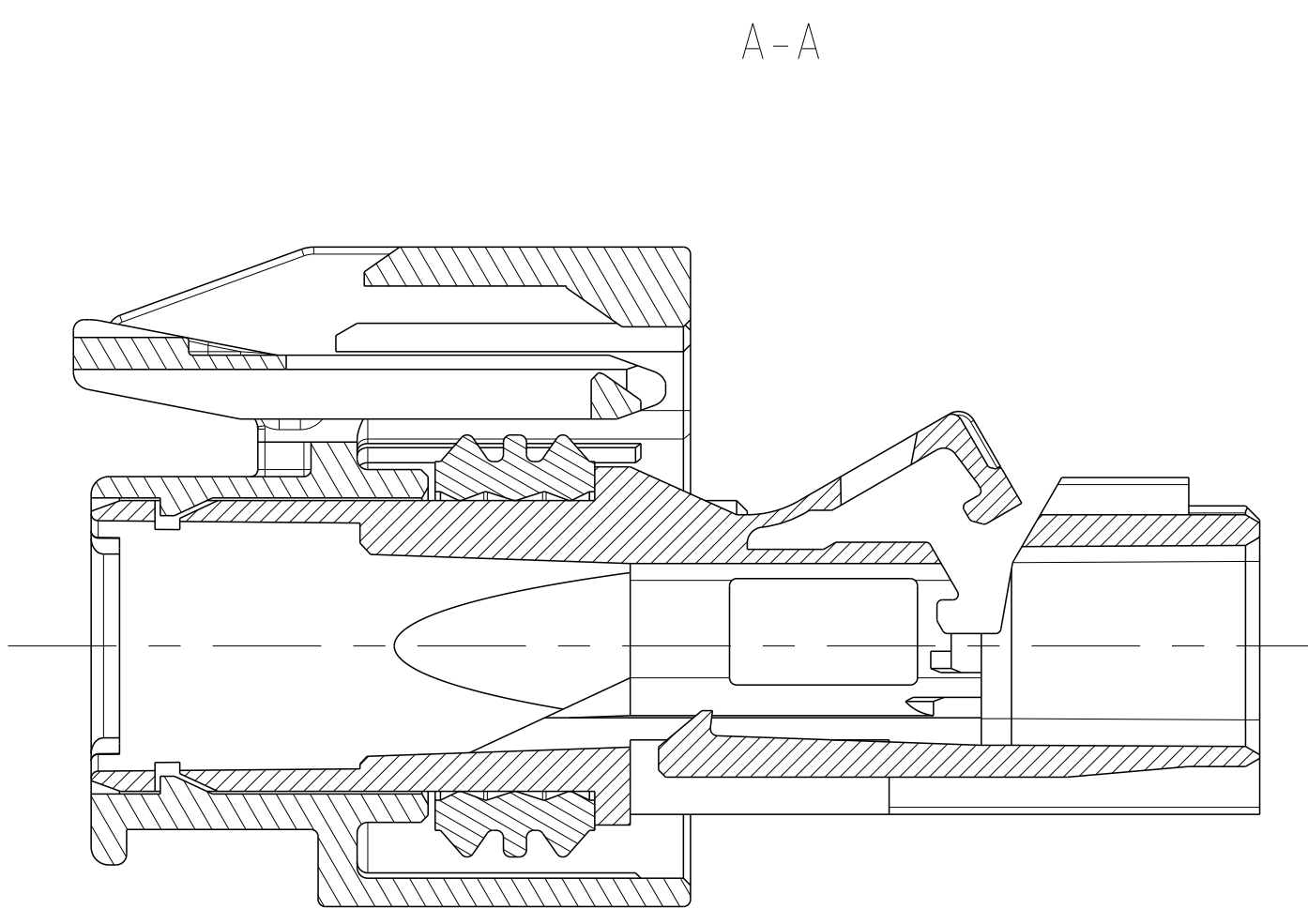
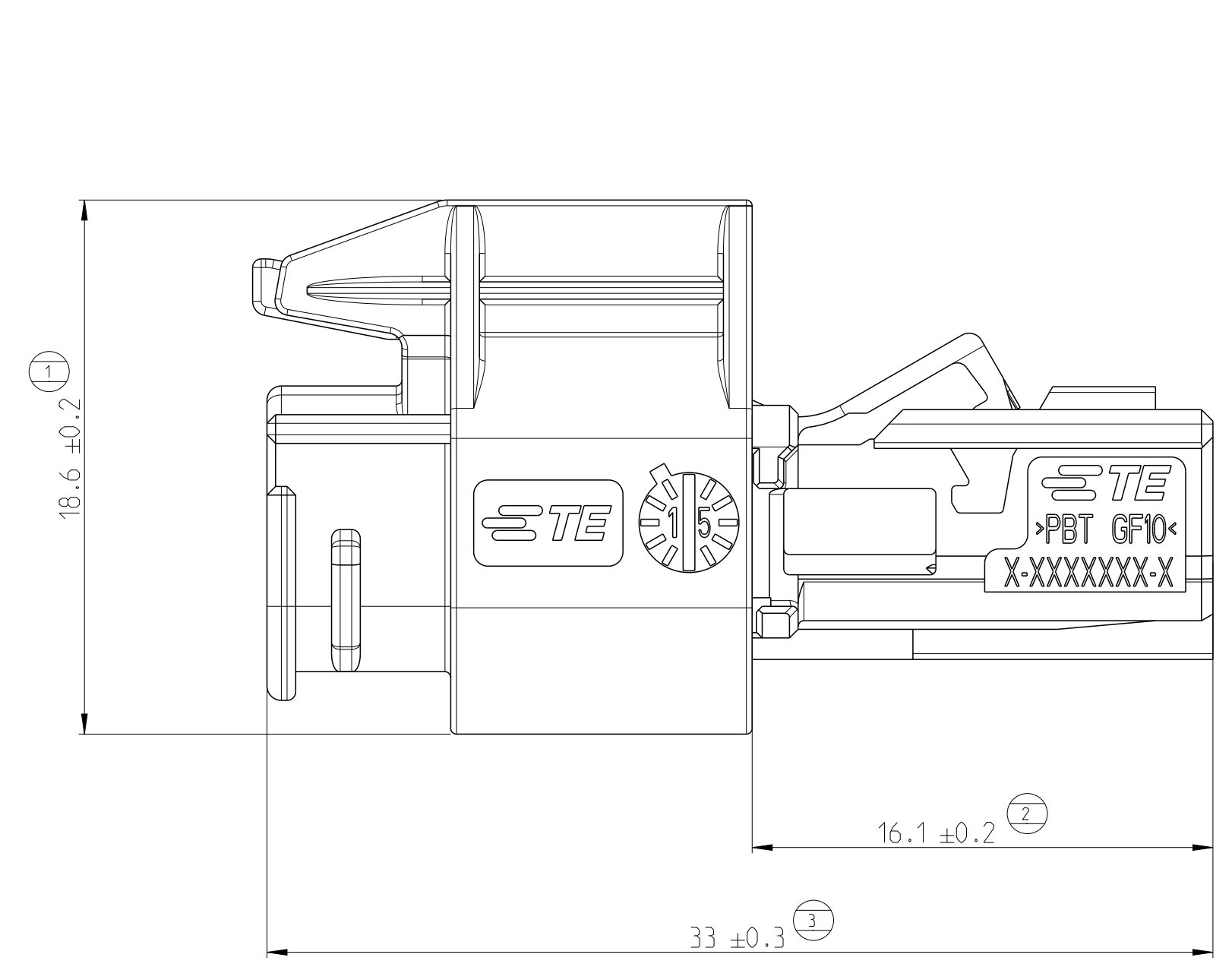
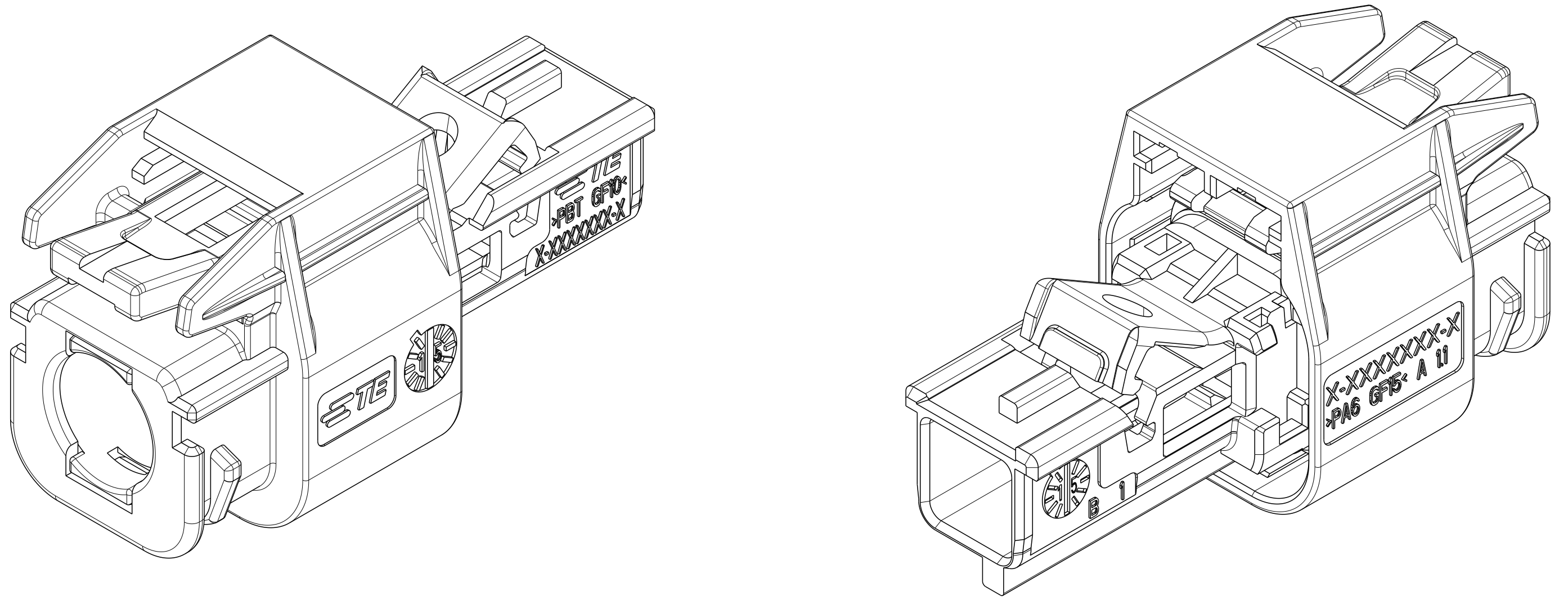
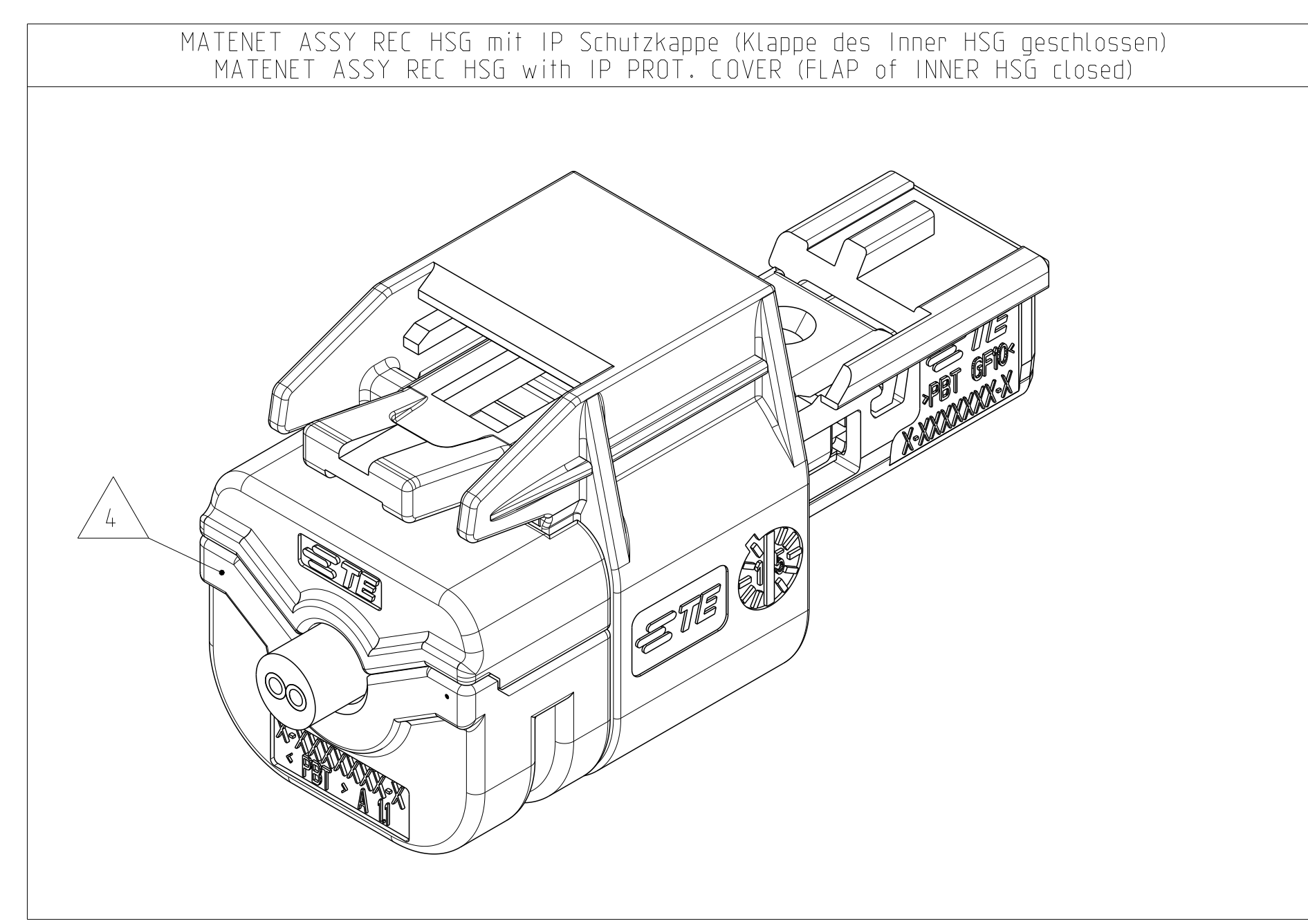
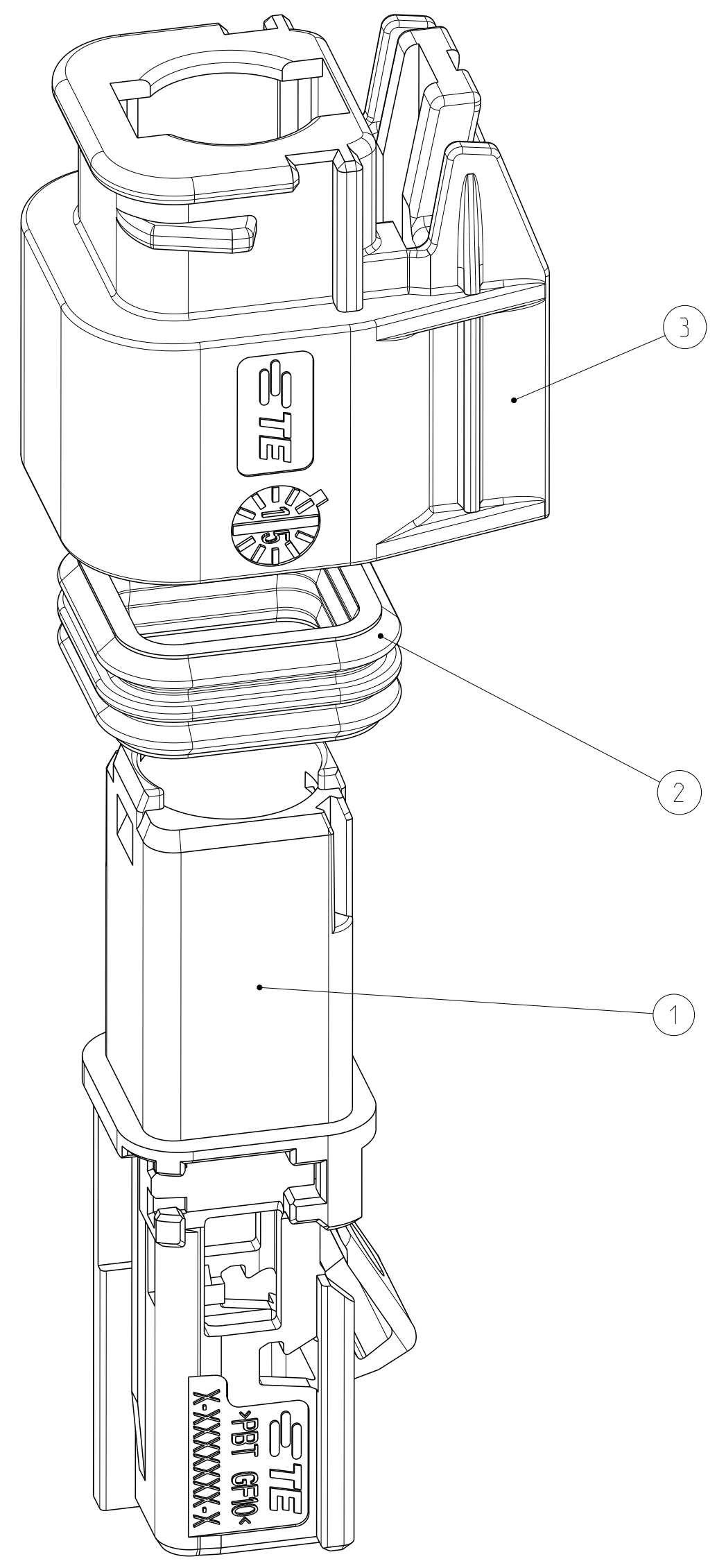
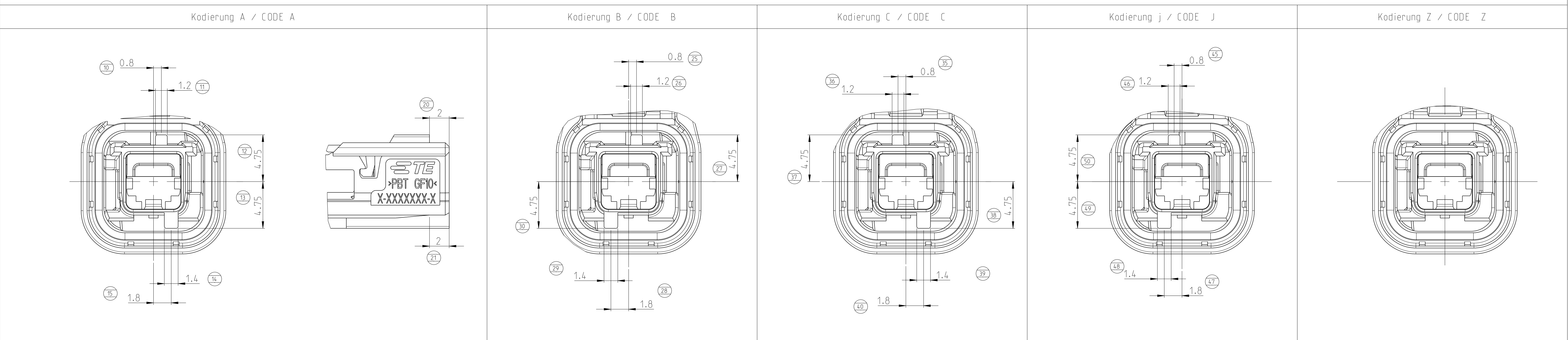


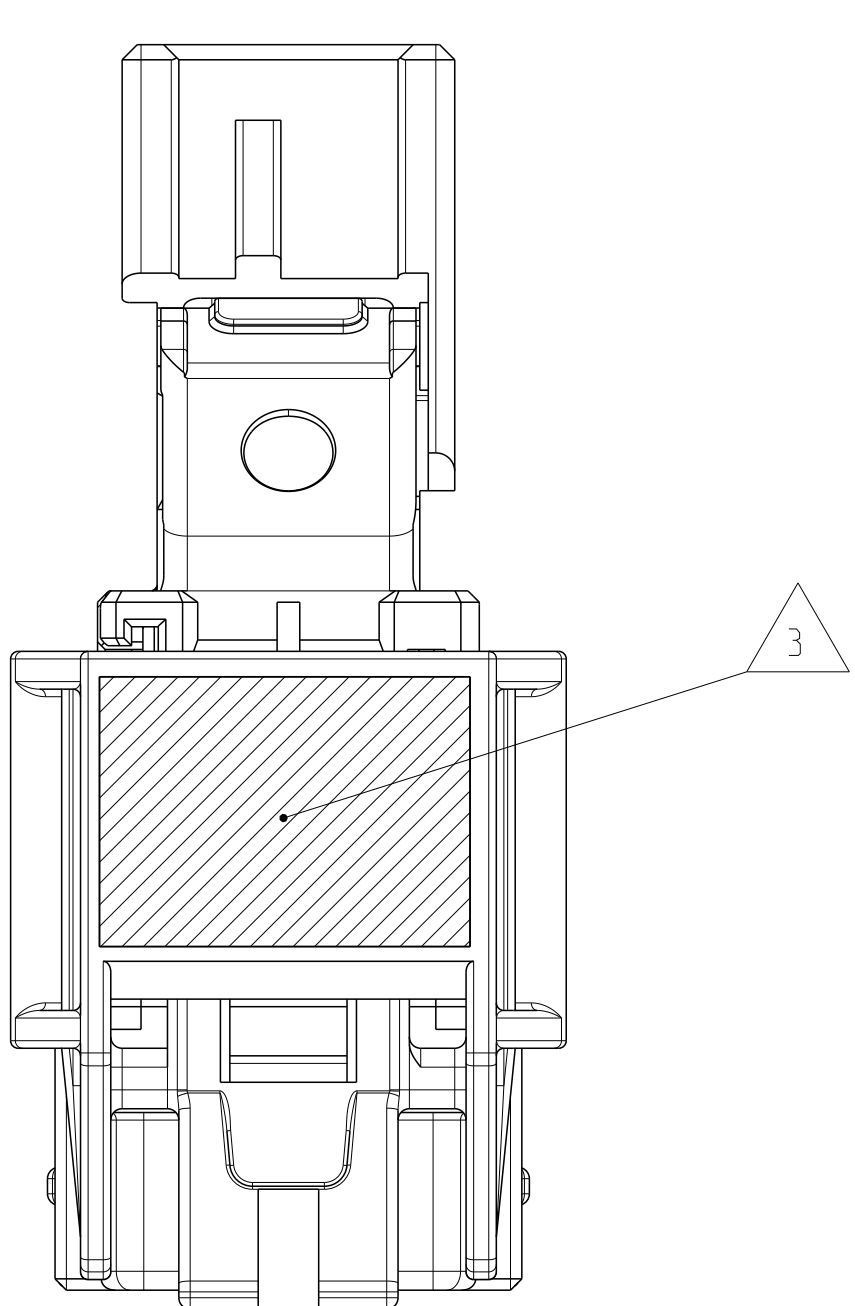
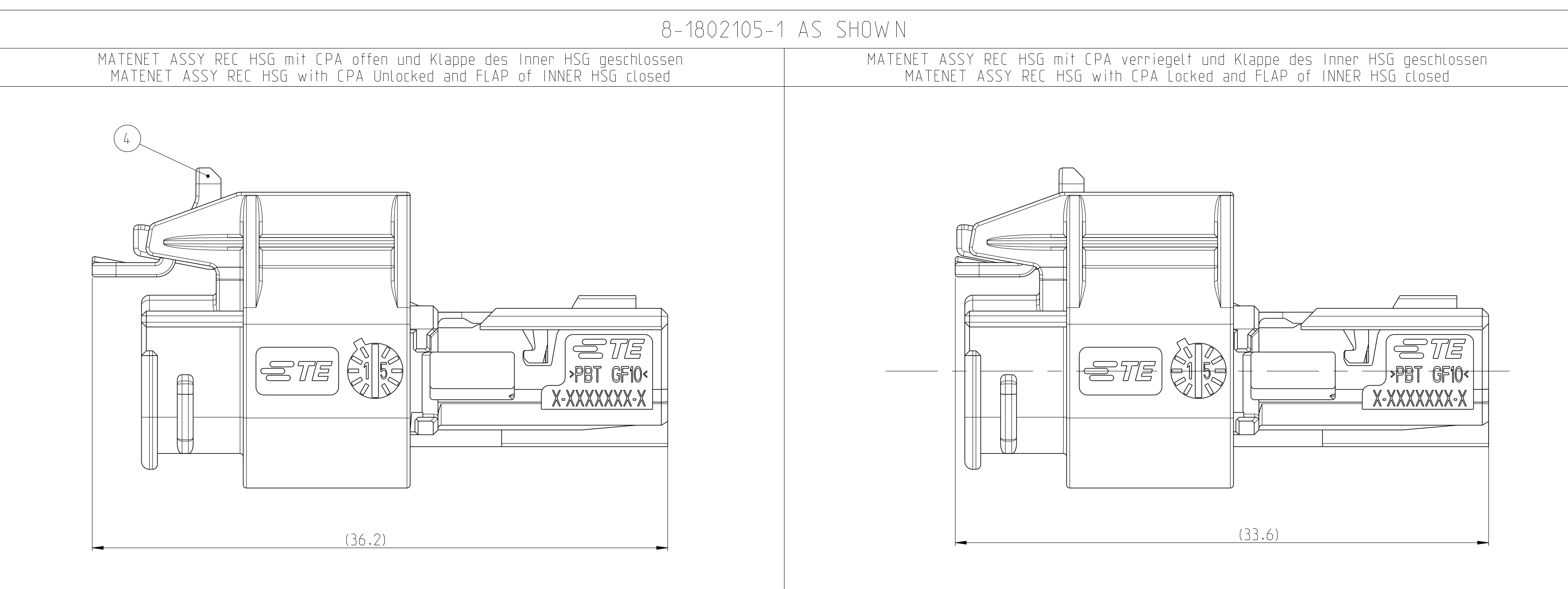
Kodierung nach TE Schnittstellenzeichnung 208-18013 / CODINGS ACC. TE INTERFACE DRW. 208-18013

REVISIONS			
NO.	DATE	DESCRIPTION	BY
1	-	SEE SHEET 1	-



Notizen / NOTES

- 1 Passend zu Stiftwanne nach TE-Schnittstellenzeichnung 208-18013
 MATING TO PINHEADER ACC. TE-INTERFACE DRAWING 208-18013
- 2 Kammer fuer MATenet 2Pos. NanoMQS female Insert module TE PN 9-2302450-X
 CAVITY FOR MATenet 2Pos. NanoMQS FEMALE INSERT MODULE TE PN 9-2302450-X
- 3 Bereich zum Bedrucken, TE PN, Produktionsdatum, Kunden PN
 AREA FOR PRINTING, TE PN, DATE CODE, CUSTOMER PN
- 4 Passendes IP PROT. COVER 1802110
 SUITABLE IP PROT. COVER 1802110
- 5 Passende Kabeldichtung 1802112
 SUITABLE WIRE SEAL 1802112
- 6 Anlieferungszustand: 2. Kontaktsicherung geöffnet
 DELIVERY CONDITION: RETAINER IN OPEN POSITION
- 7 Verpackung: Schuetthut im Beutel im Karton
 PACKAGING: LOOSE PIECES IN BAG IN BOX



SEALED COMPONENT

9-1802105-1 AS SHOWN

ITEM	QTY	CODE	DESCRIPTION	MATERIAL	COLOR	WEIGHT [g]	REC HSG ASSY-MATENet Sealed 1-Port										CODING				
							A	B	C	J	Z	A	B	C	J	Z					
4	1	-	CPA	PA46-GF15	Red 3003	0.202															
3	1	-	SEAL PROTECTION COVER MATenet Sealed 1-Port	PA6-GF15	black 9011	1.29															
2	1	-	RADIAL SEAL MATenet Sealed 1-Port	LSR	Green 6010	0.232															
1	1	Z	Inner HSG, Code Z MATenet Sealed 1-Port	PBT-GF10	water-blue 5021	1															
1	1	J	Inner HSG, Code J MATenet Sealed 1-Port		beige 1001																
1	1	C	Inner HSG, Code C MATenet Sealed 1-Port		blue 5012																
1	1	B	Inner HSG, Code B MATenet Sealed 1-Port		white 9010																
1	1	A	Inner HSG, Code A MATenet Sealed 1-Port		black 9011																

FOR PROTOTYPE B-SAMPLE ONLY
 NUR FUER B-MUSTER

THIS DRAWING IS A CONTROLLED DOCUMENT. DATE: 16SEP2016. DRAWN BY: N. SIMON. CHECKED BY: X. ROULLIARD. APPROVED BY: C. SCHREIBLINGER. DIMENSIONS: 0 PLC 80.2, 1 PLC 80.1, 2 PLC 80.05, 3 PLC 80.0, 4 PLC 80.0. APPLICATION SPEC: 114-94431. WEIGHT: 2.6gr. CUSTOMER DRAWING: A0 00779. SCALE: 5:1. SHEET: 2 of 2. REV: C.

STE TE Connectivity
 REC HSG ASSY
 MATenet Sealed 1-Port