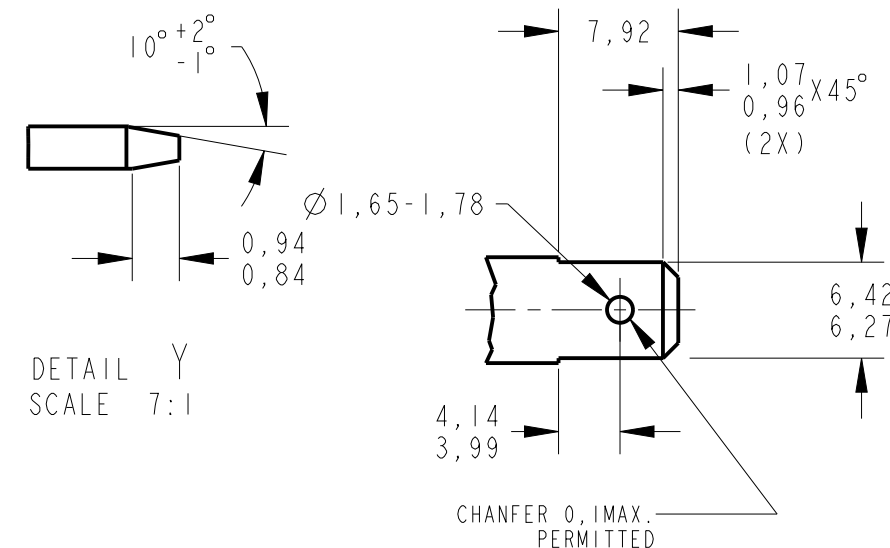
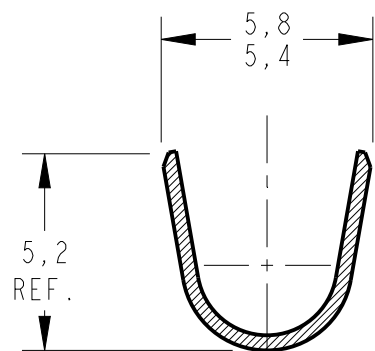
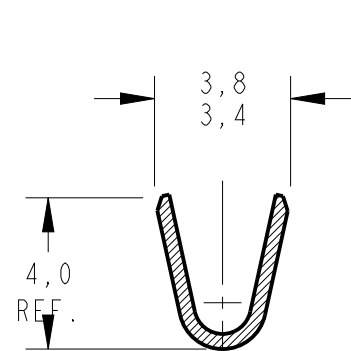
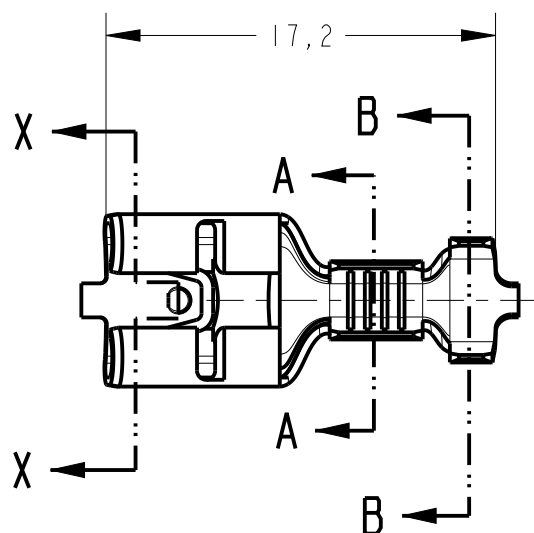
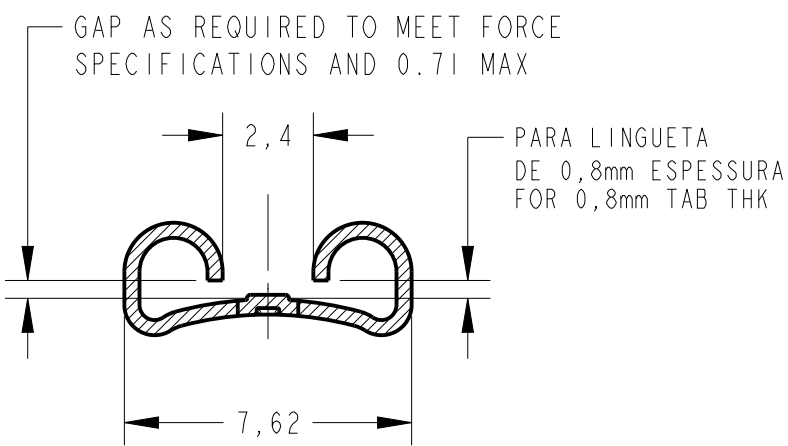
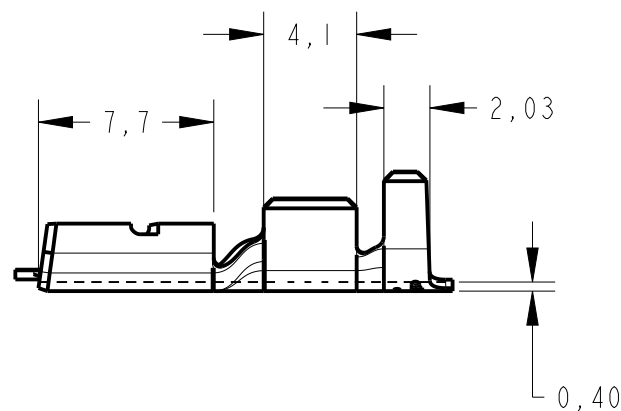
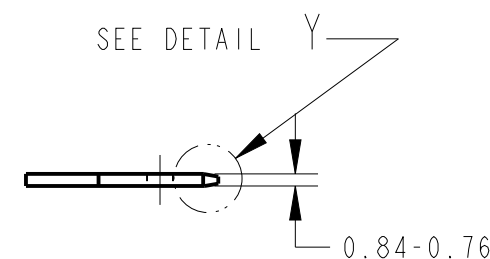


THIS DRAWING IS UNPUBLISHED. RELEASED FOR PUBLICATION 2012  
 © COPYRIGHT 2012 BY TE CONNECTIVITY ALL RIGHTS RESERVED.

LOC	DIST	REVISIONS			
P	LTR	DESCRIPTION	DATE	DWN	APVD
AP	-	D5	REV. BY ECO-18-010173	27JUNE2018	HC WLS
		D6	REVISED PER ECR-20-009164	22JULY2020	MK DH



**TEST TAB**  
 BR-6-058-1  
 MATERIAL: AÇO RÁPIDO



MATING TAB THK.	FINISH	MATERIAL	PART NUMBER
0.84-0.76	ESTANHADO / TIN PLATED	LATÃO / BRASS	444335 -4
0.84-0.76	—	LATÃO / BRASS	444335 -3
0.84-0.76	ESTANHADO / TIN PLATED	LATÃO / BRASS	444335 -2
0.84-0.76	—	LATÃO / BRASS	444335 -1

INS. RANGE	WIRE RANGE
∅ 3,0-4,3mm	1,0-2,5mm <sup>2</sup>

THIS DRAWING IS A CONTROLLED DOCUMENT.

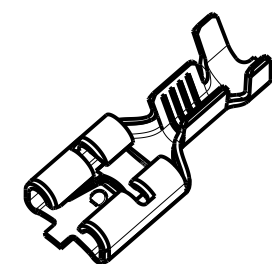
DIMENSIONS:	TOLERANCES UNLESS OTHERWISE SPECIFIED:
mm	0 PLC ±0,3
	1 PLC ±-
	2 PLC ±-
	3 PLC ±-
	4 PLC ±-
	ANGLES ±1°

MATERIAL - FINISH -

DWN	NCLAPRESA	12JUL2012
CHK	JRGOLDSCHMIDT	12JUL2012
APVD	DAOLIVEIRA	12JUL2012
PRODUCT SPEC	108-37034	
APPLICATION SPEC	-	
WEIGHT	-	

<b>STE</b> TE Connectivity			
NAME			
TERMINAL FASTON 6,35 RECEPT			
SIZE	CAGE CODE	DRAWING NO	RESTRICTED TO
A3	00779	444335	-

PART NUMBER	1° INSERÇÃO MÁX. (N)	1° EXTRAÇÃO MÍN. (N)	10° EXTRAÇÃO MÍN. (N)
444335 -1	40	50	20
444335 -2	40	50	20
444335 -3	40	70	20
444335 -4	40	70	20



PERSPECTIVE VIEW SCALE 2:1