

DESIGNED & DIMENSIONED
IN MILLIMETERS [INCHES]

DO NOT
SCALE FROM
THIS PRINT

BNC7T-J-P-XX-ST-EM2

- GENDER
-J: JACK
 - TYPE
-P: PCB
 - TERMINATION
-EM2: EDGE MOUNT (FOR 2.29 [0.090] THICK PCB)
 - ORIENTATION
-ST: STRAIGHT
 - PLATING SPECIFICATION
 - HN: HEAVY GOLD/NICKEL (SEE NOTES 5 & 6)
(SUB-BNC7T-J-P-HN-ST-EM2)
(BTNC-NUT-003-N)
(BTNC-LWAS-001-N)
 - *-MN: MEDIUM GOLD/NICKEL (SEE NOTES 5 & 6)
(SUB-BNC7T-J-P-GN-ST-EM2)
(BTNC-NUT-003-N)
(BTNC-LWAS-001-N)
 - GN: GOLD/NICKEL (SEE NOTES 5 & 6)
(SUB-BNC7T-J-P-GN-ST-EM2)
(BTNC-NUT-003-N)
(BTNC-LWAS-001-N)
- *= FOR EXISTING CUSTOMERS ONLY

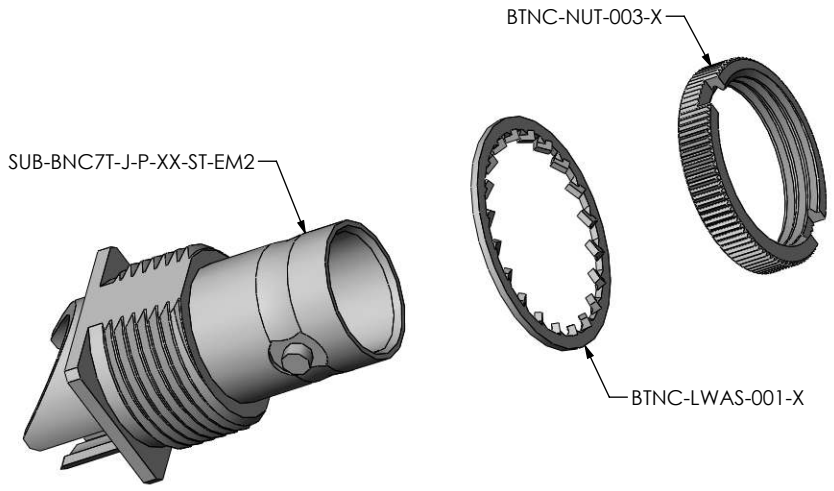
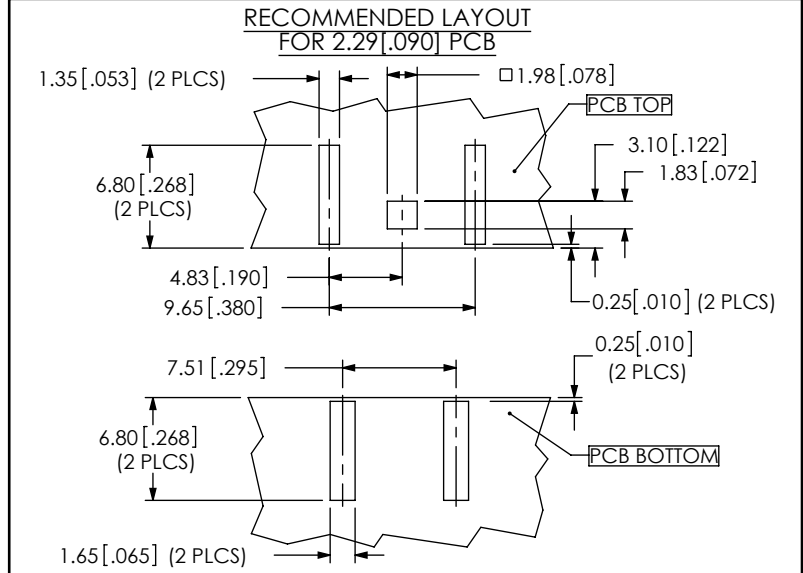
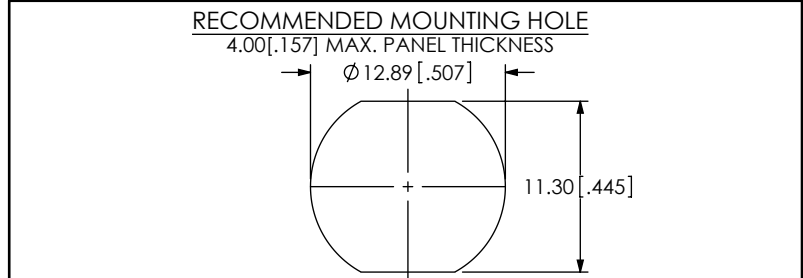


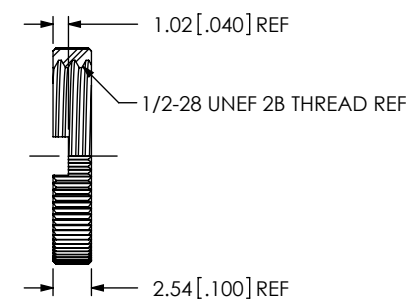
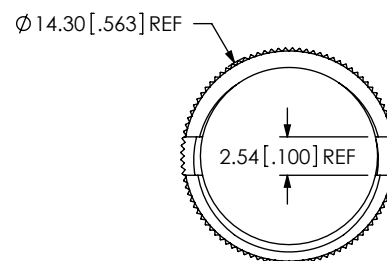
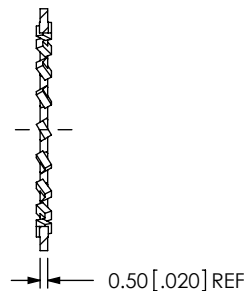
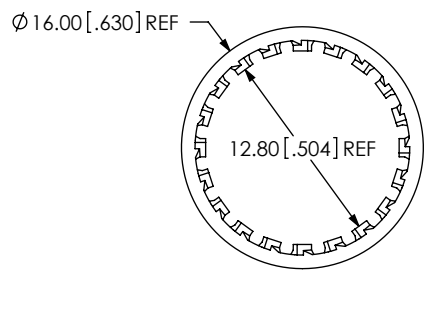
FIG 1
BNC7T-J-P-XX-ST-EM2 SHOWN



- NOTES:
1. REPRESENTS A CRITICAL DIMENSION.
 2. FABRICATED PARTS MUST BE FREE OF SCRATCHES, TOOL MARKS, ETC.
 3. SUPPLIER TO REMOVE BURRS.
 4. ROHS COMPLIANT.
 5. COMPONENT PLATING DESIGNATIONS:
 - H: 0.000030" MIN. GOLD OVER 0.000050" MIN. NICKEL.
 - G: 0.000010" MIN. GOLD OVER 0.000050" MIN. NICKEL.
 - N: 0.000100" MIN. NICKEL.
 6. ASSEMBLY PLATING DESIGNATIONS:
 - HN: (CENTER CONTACT)-H
(OUTER CONTACT) -N
(REMAINING METAL PARTS) -N
 - MN, -GN: (CENTER CONTACT)-G
(OUTER CONTACT) -N
(REMAINING METAL PARTS) -N
 7. NOTE DELETED
 8. FINISHED ASSEMBLIES TO BE PACKAGED PER PACKAGING STANDARDS CO-RF-WI-3040-M.

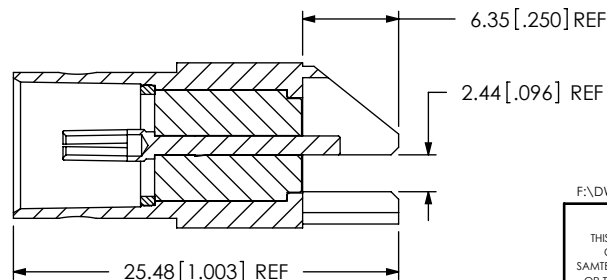
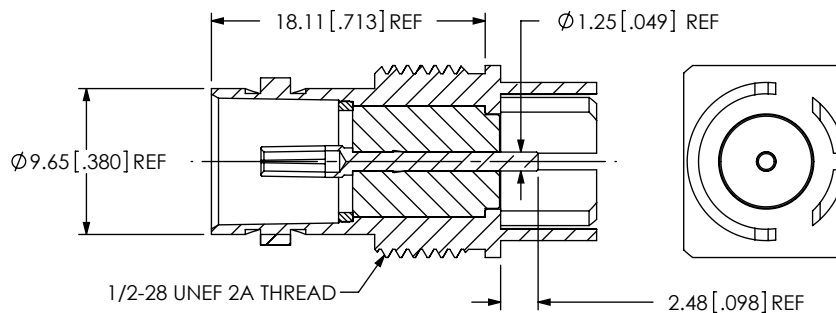
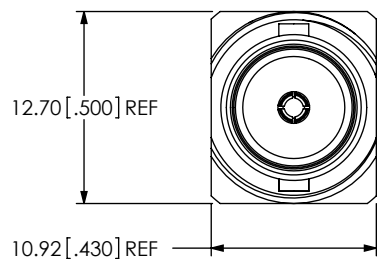
UNLESS OTHERWISE SPECIFIED, DIMENSIONS ARE IN MILLIMETERS. TOLERANCES ARE: DECIMALS ANGLES .X: ±0.3 [0.1] 2° .XX: ±0.13 [0.05] .XXX: ±0.051 [0.020]	PROPRIETARY NOTE THIS DOCUMENT CONTAINS INFORMATION CONFIDENTIAL AND PROPRIETARY TO SAMTEC, INC. AND SHALL NOT BE REPRODUCED OR TRANSFERRED TO OTHER DOCUMENTS OR DISCLOSED TO OTHERS OR USED FOR ANY PURPOSE OTHER THAN THAT WHICH IT WAS OBTAINED WITHOUT THE EXPRESSED WRITTEN CONSENT OF SAMTEC, INC.		
		520 PARK EAST BLVD, NEW ALBANY, IN 47150 PHONE: 812-944-6733 FAX: 812-948-5047 e-Mail: info@SAMTEC.com code: 55322	
		DO NOT SCALE DRAWING SHEET SCALE: 2:1	
		DESCRIPTION: BNC7T EDGE MOUNT STRAIGHT JACK	
		DWG. NO. BNC7T-J-P-XX-ST-EM2	
		BY: G.HERMAN 09-09-2010	SHEET 1 OF 2

REVISION F



SAMTEC PART NUMBER	ITEM
BTNC-LWAS-001-X	LOCKWASHER

SAMTEC PART NUMBER	ITEM
BTNC-NUT-003-X	KNURLED NUT



SAMTEC PART NUMBER	ITEM
SUB-BNC7T-J-P-XX-ST-EM2	SUB ASSEMBLY

F:\DWG\MISC\MKTG\BNC7T-J-P-XX-ST-EM2-MKT.SLDDRW

PROPRIETARY NOTE
 THIS DOCUMENT CONTAINS INFORMATION
 CONFIDENTIAL AND PROPRIETARY TO
 SAMTEC, INC. AND SHALL NOT BE REPRODUCED
 OR TRANSFERRED TO OTHER DOCUMENTS OR
 DISCLOSED TO OTHERS OR USED FOR ANY
 PURPOSE OTHER THAN THAT WHICH IT WAS
 OBTAINED WITHOUT THE EXPRESSED WRITTEN
 CONSENT OF SAMTEC, INC.



520 PARK EAST BLVD, NEW ALBANY, IN 47150
 PHONE: 812-944-6733 FAX: 812-948-5047
 e-Mail: info@SAMTEC.com code: 55322

DO NOT SCALE DRAWING

SHEET SCALE: 2:1

DESCRIPTION:
 BNC7T EDGE MOUNT STRAIGHT JACK

DWG. NO.
 BNC7T-J-P-XX-ST-EM2

BY: G.HERMAN 09-09-2010 SHEET 2 OF 2