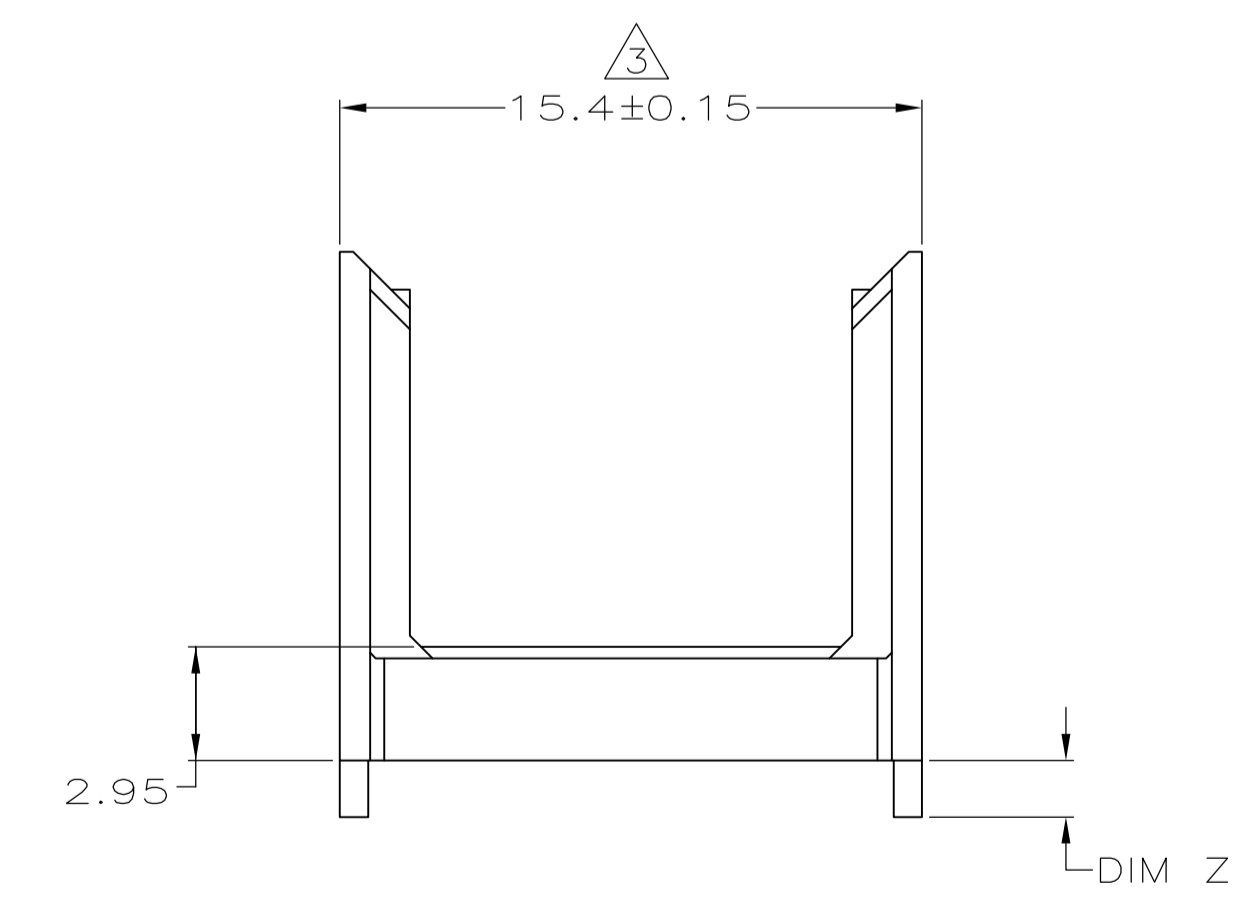
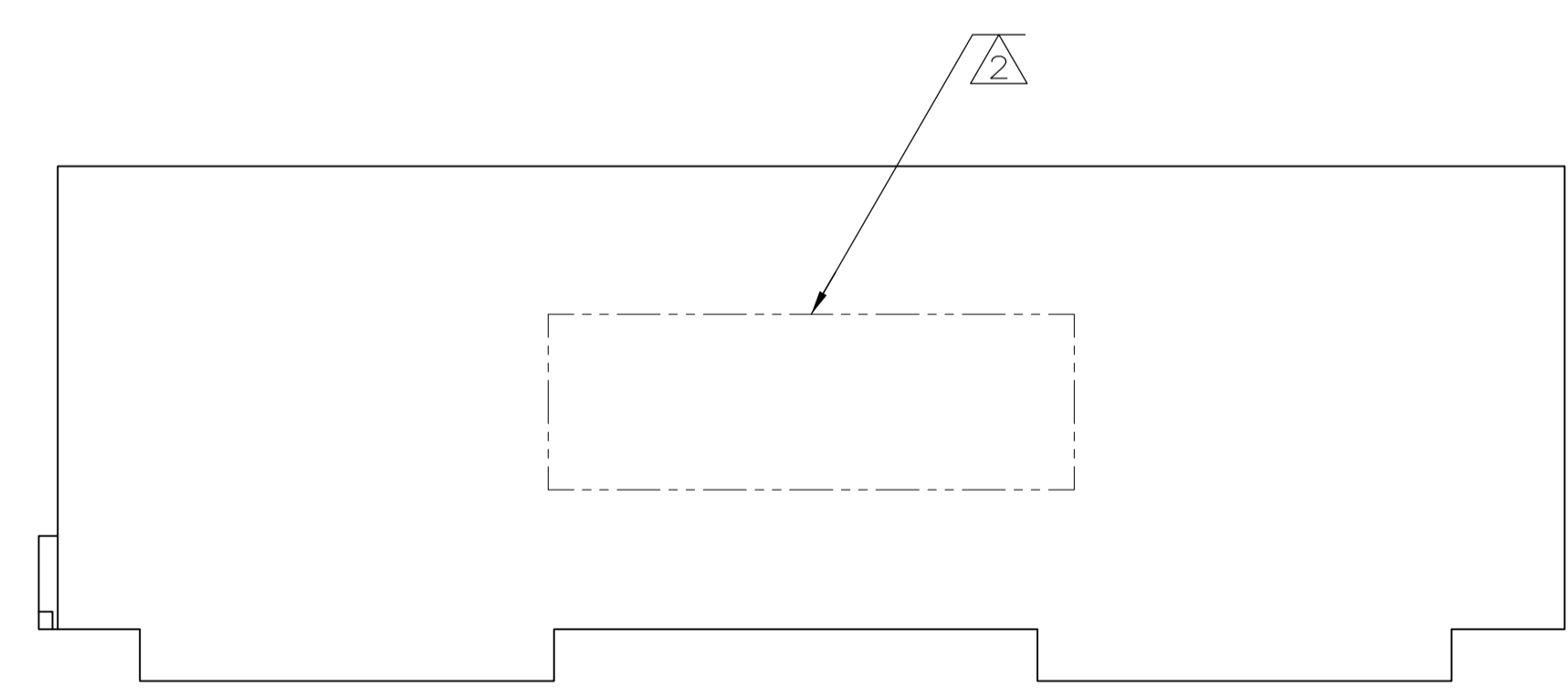
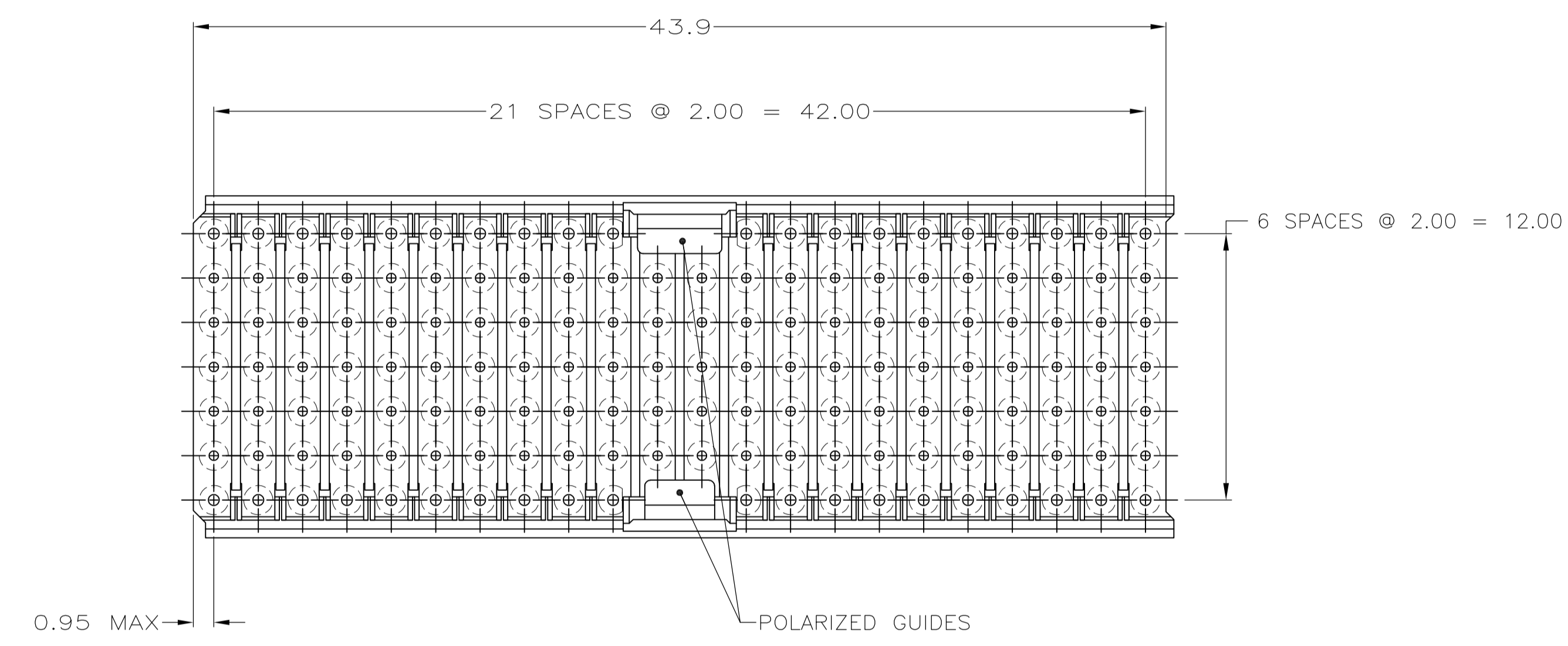
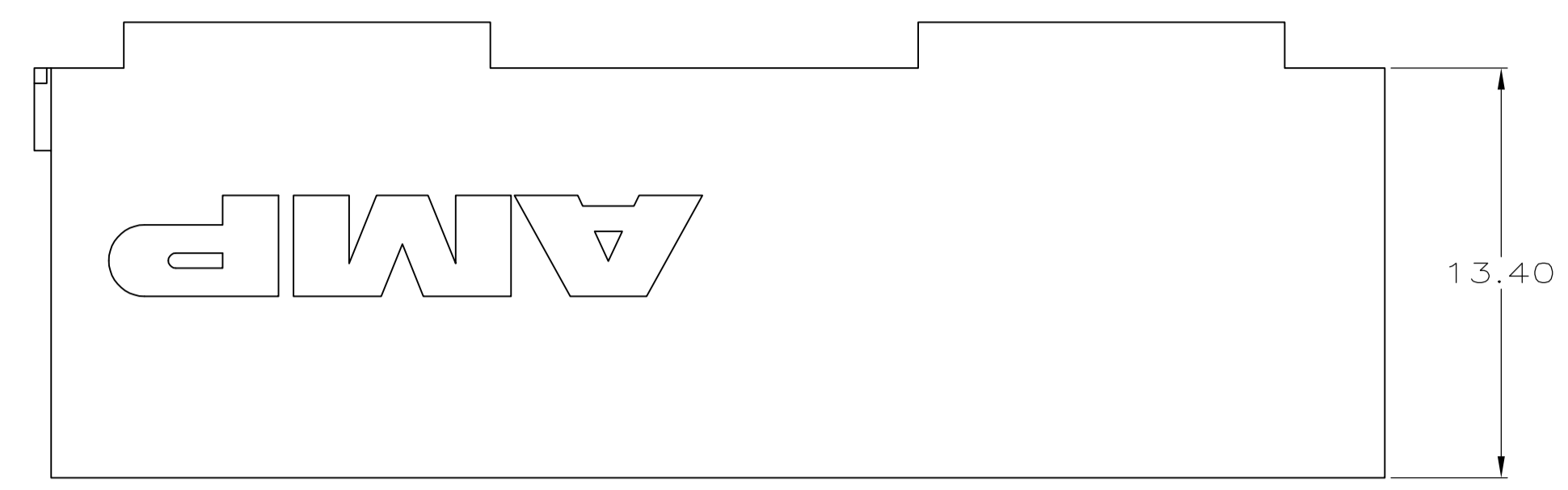


LOC		DIST		REVISIONS			
AD	47	REV	LTR	DESCRIPTION	DATE	DWN	APVO
		C		REV PER EC OU1B-0192-01	27 JUN 01	BC	RP
		C1		REVISED PER ECO-10-000443	15JAN10	KK	AEG
		D		ECR-10-019054	15SEP10	DP	MQW

- △1 MATERIAL: GLASS FILLED POLYESTER.
- △2 PART NUMBER MARKED IN APPROXIMATE AREA SHOWN.
- △3 TO BE MEASURED AT BASE OF SHROUD.
- △4 OBSOLETE PARTS: OBSOLETE CIS STREAMLINING PER D.RENAUD/D.SINIS



△ OBSOLETE	1.90	646484-7
	1.70	646484-6
	1.50	646484-5
	1.30	646484-4
△ OBSOLETE	1.10	646484-3
	0.90	646484-2
		646484-1
	DIM Z	PART NUMBER

THIS DRAWING IS A CONTROLLED DOCUMENT.

DIMENSIONS: mm	TOLERANCES UNLESS OTHERWISE SPECIFIED:	DWN: T. SHUEY 6-9-98	AMP Incorporated Harrisburg, PA 17105-3608
0-PLC ±	0-PLC ±	CHK: G. SKIPPER 11-23-98	
1-PLC ±0.1	1-PLC ±0.1	APVO: G. SKIPPER 11-23-98	NAME: SHROUD,A-B,Z-PACK 2mm HM,5 ROW, 150 POSITION,WITH GUIDE
2-PLC ±0.05	2-PLC ±0.05 ±0.2	PRODUCT SPEC	APPLICATION SPEC
3-PLC ±	3-PLC ±	SIZE	RESTRICTED TO
4-PLC ±	4-PLC ±	WEIGHT	A100779 C- 646484
ANGLES ±	ANGLES ±	CUSTOMER DRAWING	SCALE 5:1 SHEET 1 of 1 REV 0
MATERIAL: △1	FINISH		