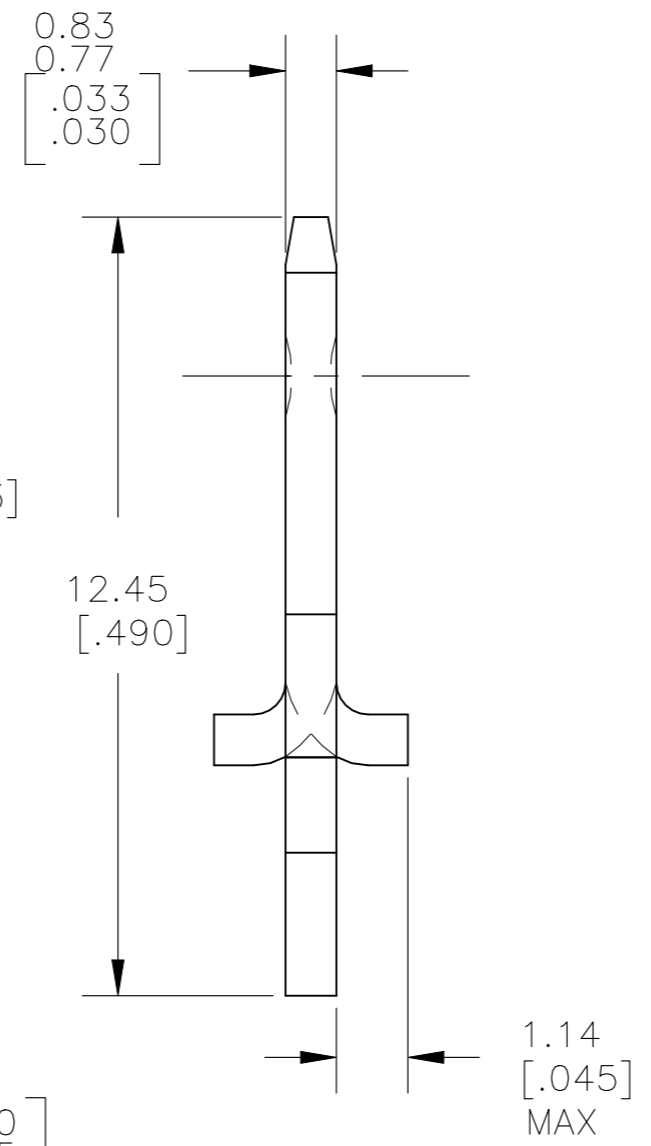
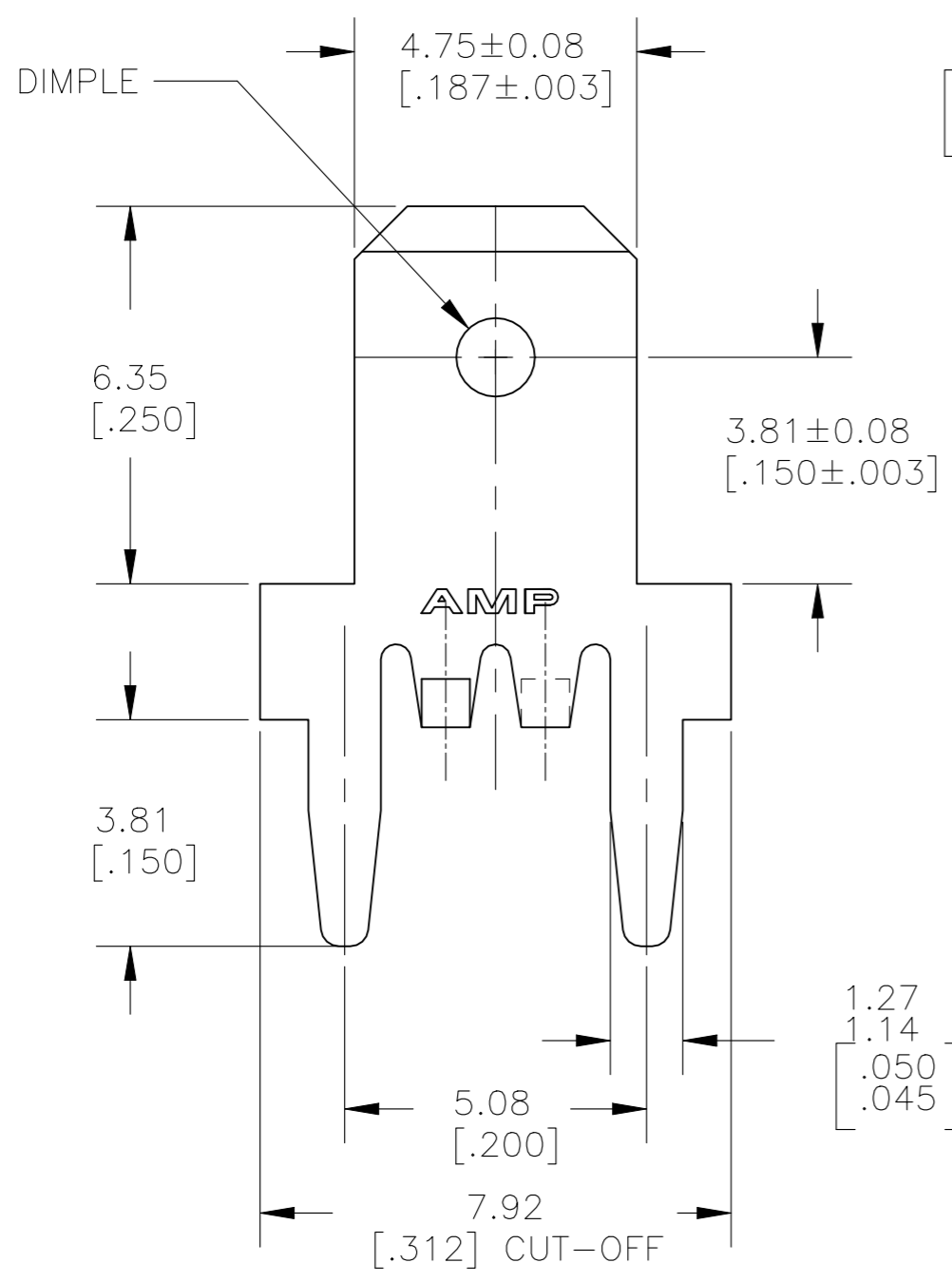
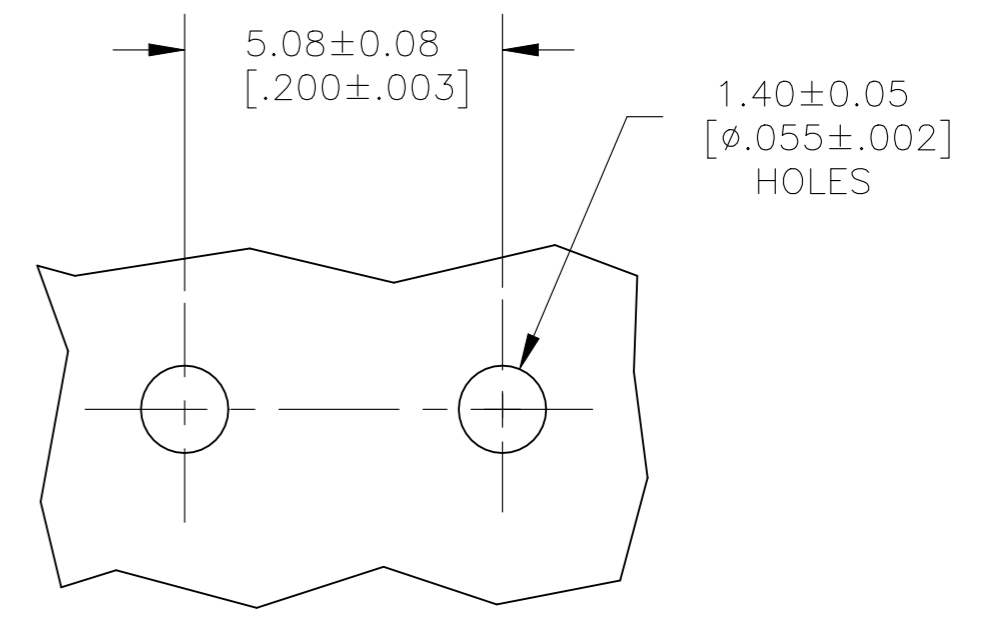


THIS DRAWING IS UNPUBLISHED. RELEASED FOR PUBLICATION
 © COPYRIGHT - By - ALL RIGHTS RESERVED.

REVISIONS					
P	LTR	DESCRIPTION	DATE	DWN	APVD
	H2	REVISED PER ECR-21-107179	15JUL2021	SS	EW



- 1 CONTINUOUS STRIP ON REELS.
- 2 TIN PLATE 0.00381 [.000150] MIN OVER 0.00254 [.000100] MIN THK COPPER OR TIN PLATE 0.00381 [.000150] MIN OVER 0.00127 [.000050] MIN THK NICKEL.
- 3 LOOSE PIECE TYPE.
- 4 NOTE REMOVED



P.C. BOARD HOLE PATTERN

3	63860-2
1	63860-1
PART NO.	

THIS DRAWING IS A CONTROLLED DOCUMENT.		DWN	JR RUTH	13FEB01	STE TE Connectivity			
		CHK	MS FEHER	20FEB01				
DIMENSIONS: mm [INCHES]		TOLERANCES UNLESS OTHERWISE SPECIFIED:			NAME			
		0 PLC	± -		TAB, FASTON, P.C.BOARD			
		1 PLC	± -		4.75 [.187]			
		2 PLC	± 0.25 [.010]					
		3 PLC	± -					
MATERIAL		4 PLC	± -		SIZE	CAGE CODE	DRAWING NO	RESTRICTED TO
BRASS		ANGLES	± -		A3	00779	C-63860	-
		FINISH	-2		WEIGHT		0.376	
CUSTOMER DRAWING				SCALE		8:1	SHEET	
						1	OF 1	
								REV
								H2