

INA209 Evaluation Module

This user's guide describes the characteristics, operation, and use of the INA209 evaluation module (EVM). It discusses the processes and procedures required to properly use this EVM board. This document also includes the physical printed circuit board (PCB) layout, schematic diagram, and circuit descriptions.

Contents

1	Overview	2
2	System Setup	4
3	INA209EVM Hardware Setup.....	10
4	INA209 Software Overview	17
5	Bill of Materials	24

List of Figures

1	Hardware Included With the INA209EVM	2
2	Hardware Setup for the INA209EVM.....	4
3	Block Diagram of the INA209 Test Board	5
4	INA209 Test Board Schematic.....	6
5	Theory of Operation For the USB Dig Platform.....	9
6	Typical Hardware Connections	10
7	Connecting the Two EVM PCBs	11
8	Connecting Power to the EVM	12
9	Connecting the USB Cable	13
10	Default Jumper Settings	14
11	INA209EVM Software—Functioning Properly	18
12	INA209EVM Software—No Communication With the USB Dig Platform	19
13	INA209EVM Software—No Communication Between the USB Dig Platform and the INA209	20
14	EVM Controls Pull-Down Menu	23
15	Current Revision of Software	23

Windows is a registered trademark of Microsoft Corporation.
 I²C is a trademark of NXP Semiconductors.
 X2Y is a registered trademark of X2Y Attenuators LLC.
 All other trademarks are the property of their respective owners.

1 Overview

This document provides the information needed to set up and operate the INA209EVM evaluation module, a test platform for the [INA209 high-side current shunt monitor](#). For a more detailed description of the INA209 product line, please refer to the product data sheet ([SBOS403](#)) available from the Texas Instruments web site at <http://www.ti.com>. Support documents are listed in the section of this guide entitled [Related Documentation from Texas Instruments](#).

The INA209EVM is an evaluation module that is used to fully evaluate the INA209 current shunt monitor. The INA209 is a mixed-signal current shunt monitor. The INA209EVM consists of two PCBs. One board generates the digital signals (USB DIG Platform) required to communicate with the INA209 (INA209_Test_Board), and the second board contains the INA209, as well as support and configuration circuitry.

NOTE: Much of the information contained in this document is also contained in the [QuickStart Video](#), which is included with the EVM kit. It is highly recommended that you watch this video before using this EVM.

Throughout this document, the abbreviation *EVM* and the term *evaluation module* are synonymous with the INA209EVM.

1.1 INA209EVM Hardware

[Figure 1](#) shows the hardware included with the INA209EVM kit. Contact the factory if any component is missing. It is highly recommended that you check the TI web sit at <http://www.ti.com> to verify that you have the latest software. It is also recommended that you watch the QuickStart Video (included on the compact disk) before using the INA209EVM.

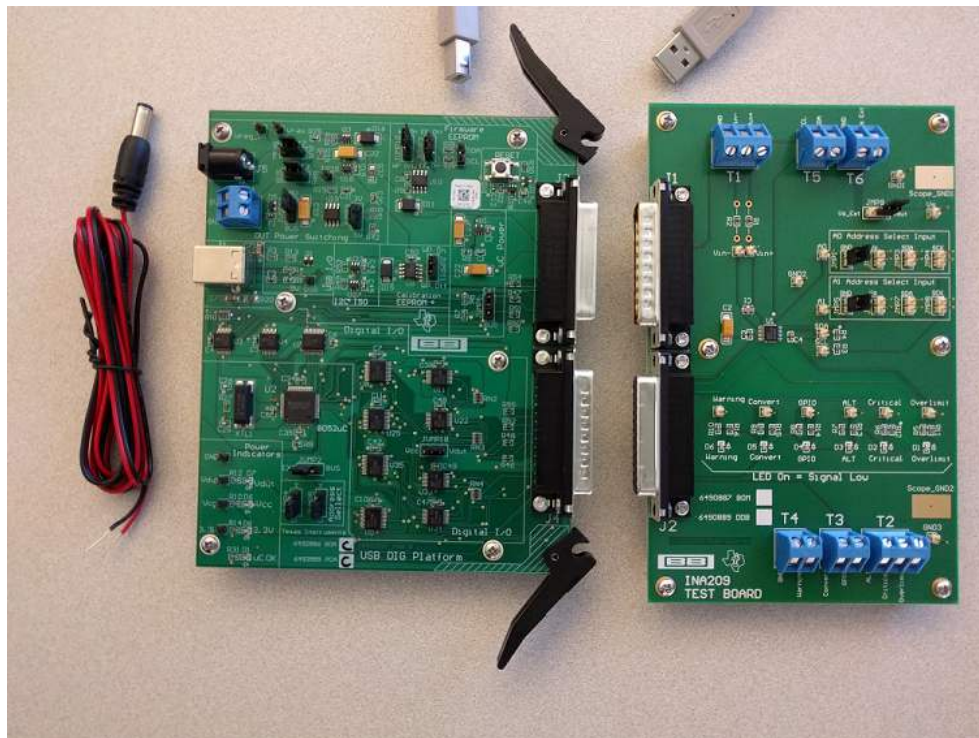


Figure 1. Hardware Included With the INA209EVM

The complete kit includes the following items:

- INA209 test PCB
- USB Dig platform PCB
- USB cable
- [QuickStart Video](#)
- Barrel plug cable assembly (part# 10-01935/ Tensility Intl Corp.) for external power supply to USB DIG and optionally to EVM.

1.2 Related Documentation from Texas Instruments

The following document provides information regarding Texas Instruments integrated circuits used in the assembly of the INA209EVM. This document is available from the TI web site under literature number [SBOU055](#). Any letter appended to the literature number corresponds to the document revision that is current at the time of the writing of this User's Guide. Newer revisions may be available from the TI web site at <http://www.ti.com/>, or call the Texas Instruments Literature Response Center at (800) 477-8924 or the Product Information Center at (972) 644-5580. When ordering, identify the document by both title and literature number.

Data Sheet	Literature Number
INA209 Product Data Sheet	SBOS403

1.3 If You Need Assistance

If you have questions about the INA209 evaluation module, send an e-mail to the Linear Application Team at precisionamps@list.ti.com. Include *INA209EVM* as the subject heading.

1.4 Information About Cautions and Warnings

This document contains caution statements.

CAUTION

This is an example of a caution statement. A caution statement describes a situation that could potentially damage your software or equipment.

The information in a caution or a warning is provided for your protection. Please read each caution and warning carefully.

1.5 FCC Warning

This equipment is intended for use in a laboratory test environment only. It generates, uses, and can radiate radio frequency energy and has not been tested for compliance with the limits of computing devices pursuant to subpart J of part 15 of FCC rules, which are designed to provide reasonable protection against radio frequency interference. Operation of this equipment in other environments may cause interference with radio communications, in which case the user at his own expense is required to take whatever measures may be required to correct this interference.

2 System Setup

Figure 2 shows the system setup for the INA209EVM. The PC runs software that communicates with the USB Dig platform. The USB Dig platform generates the digital signals used to communicate with the INA209 test board. Connectors on the INA209 test board allow for connection to the system that will be monitored by the user.

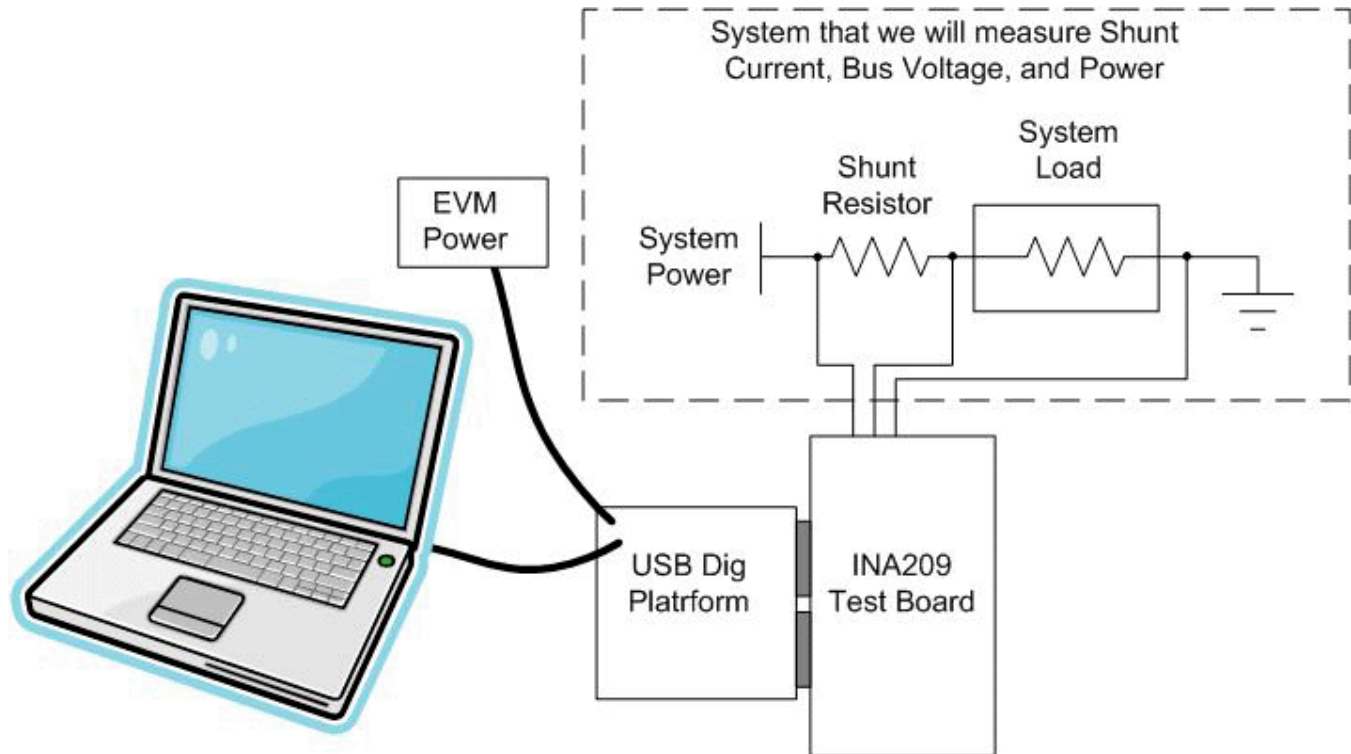


Figure 2. Hardware Setup for the INA209EVM

Minimum PC operating requirements:

- Microsoft Windows® XP or higher
- USB port
- Works on US or European regional settings

2.1 Theory of Operation for the INA209 Test Board Hardware

Figure 3 shows the block diagram of the INA209 test board. The INA209 test board functionality is relatively simple. It provides connections to the I²C™ interface and general-purpose inputs/outputs (GPIOs) on the USB Dig platform. It also provides connection points for external connection of the shunt voltage, bus voltage, and GND on the system being measured.

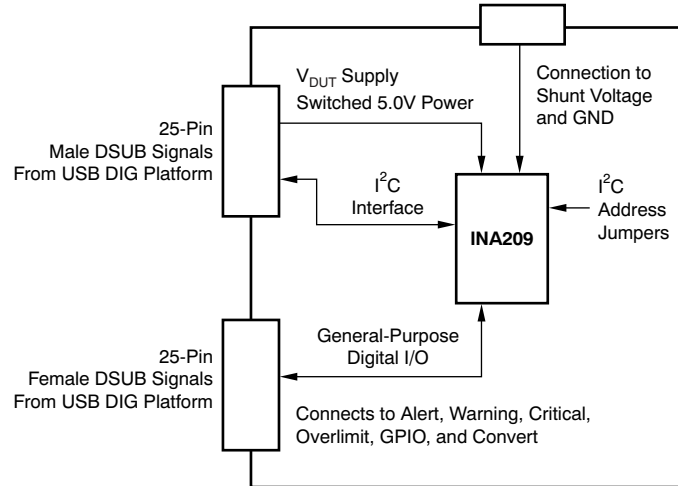


Figure 3. Block Diagram of the INA209 Test Board

Figure 4 illustrates the system setup for the INA209 test board schematic. LEDs D1 through D6 are used as indicators for many of the digital signals (for example, Warning, Critical, GPIO, etc). Jumpers JMP1 through JMP8 allow the configuration of A0 and A1. Connector T1 allows the connection of shunt and bus voltages.

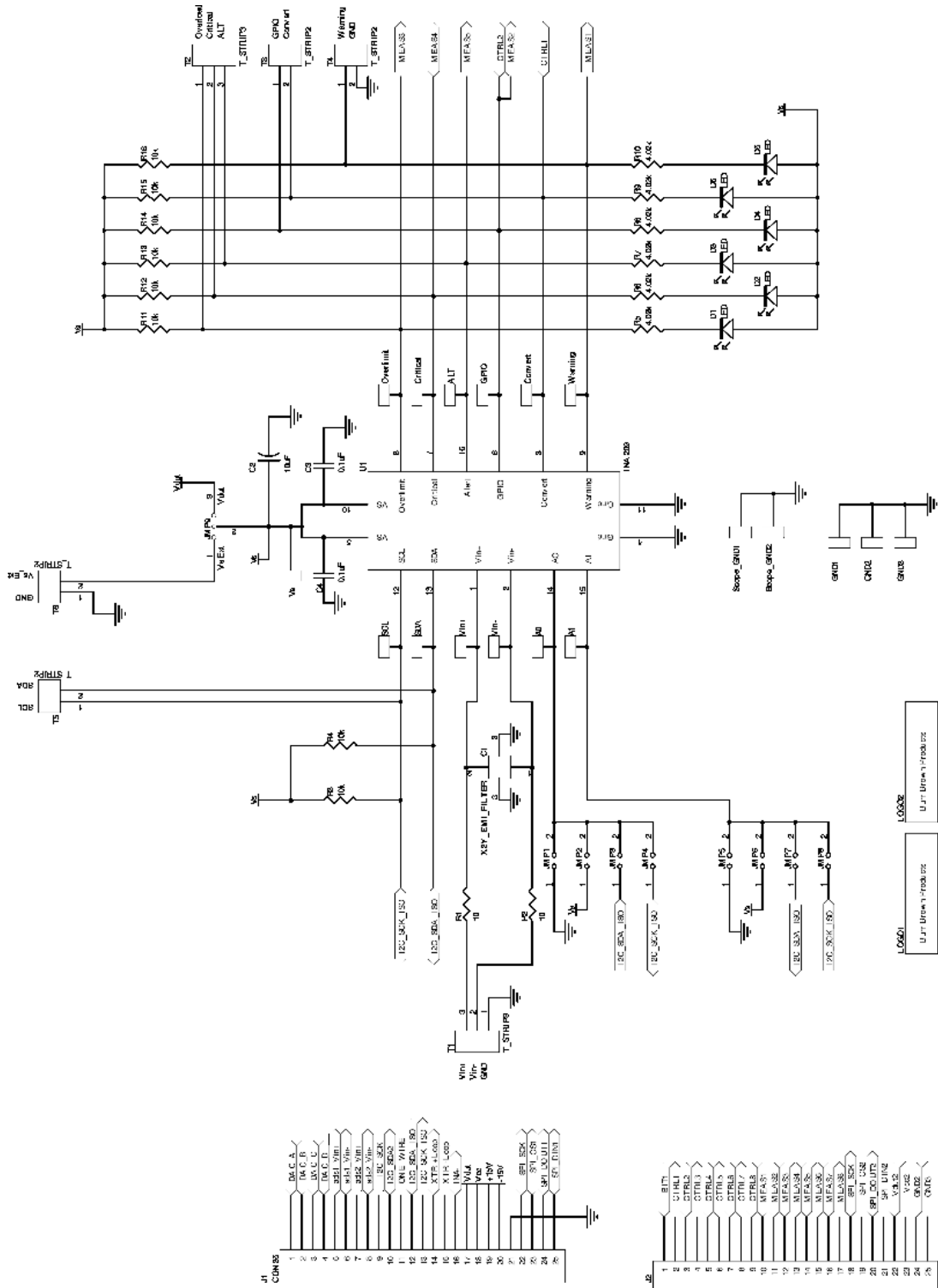


Figure 4. INA209 Test Board Schematic

2.2 Signal Definition of J1 (25-Pin Male DSUB) on the INA209 Test Board

Table 1 shows the different signals connected to J1 on the INA209 test board. Table 1 also identifies signals connected to pins on J1 that are not used on the INA209 test board.

Table 1. Signal Definition of J1 (25-Pin Male DSUB) on the INA209 Test Board

J1 Pin	Signal	Used On This EVM?	INA209 Pin
1	DAC A	No	—
2	DAC B	No	—
3	DAC C	No	—
4	DAC D	No	—
5	ADS1+	No	—
6	ADS1–	No	—
7	ADS2+	No	—
8	ADS2–	No	—
9	I2C_SCK	No	—
10	I2C_SDA2	No	—
11	ONE_WIRE	No	—
12	I2C_SCK_ISO	Yes	SCL
13	I2C_SDA_ISO	Yes	SDA
14	XTR_LOOP+	No	—
15	XTR_LOOP–	No	—
16	INA–	No	—
17	V_{DUT}	Yes	V_S
18	V_{CC}	No	—
19	+15V	No	—
20	–15V	No	—
21	GND	Yes	GND
22	SPI_SCK	No	—
23	SPI_CS1	No	—
24	SPI_DOUT	No	—
25	SPI_DIN1	No	—

2.3 Signal Definition of J2 (25-Pin Female DSUB) on the INA209 Test Board

Table 2 shows the different signals connected to J2 on the INA209 test board. Table 2 also identifies signals connected to pins on J2 that are not used on the INA209 test board.

Table 2. Signal Definition of J2 (25-Pin Female DSUB) on the INA209 Test Board

J1 Pin	Signal	Used On This EVM?	INA209 Pin
1	NC	No	—
2	CTRL1	Yes	Convert
3	CTRL2	Yes	GPIO
4	CTRL3	No	—
5	CTRL4	No	—
6	CTRL5	No	—
7	CTRL6	No	—
8	CTRL7	No	—
9	CTRL8	No	—
10	MEAS1	Yes	Warning
11	MEAS2	Yes	GPIO
12	MEAS3	Yes	Overlimit
13	MEAS4	Yes	Critical
14	MEAS5	Yes	ALT
15	MEAS6	No	—
16	MEAS7	No	—
17	MEAS8	No	—
18	SPI_SCK	No	—
19	SPI_CS2	No	—
20	SPI_DOUT2	No	—
21	SPI_DIN2	No	—
22	V_{DUT}	No	V_s
23	V_{CC}	No	—
24	GND	Yes	GND
25	GND	Yes	GND

2.4 Theory of Operation For the USB Dig Platform

Figure 5 shows the block diagram for the USB Dig platform. This platform is a general-purpose data acquisition system that is used on several different Texas Instruments evaluation modules. The block diagram shown in Figure 5 illustrates the general platform outline.

The core component of the USB Dig platform is the [TUSB3210](#).

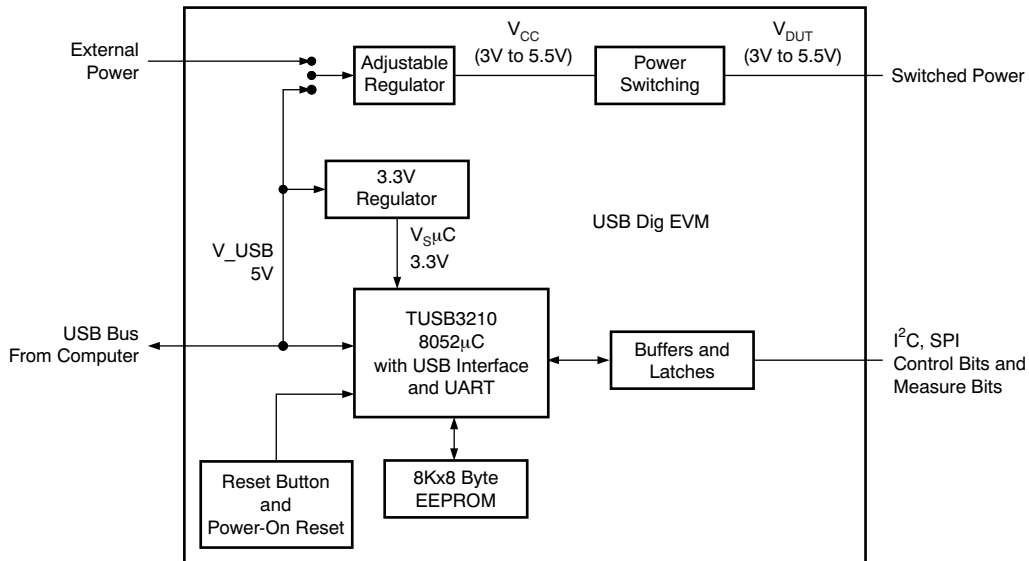


Figure 5. Theory of Operation For the USB Dig Platform

An important function of the USB DIG is to power the EVM PCB. As depicted in Figure 5, switched power for the EVM can be derived from the PC's USB supply or alternatively from an external power source connected to J5. TI recommends using the external supply option because the USB power supply can be noisy. The barrel connector cable assembly included in the EVM kit can be used to connect an external power supply to the USB DIG. Connect the black wire of the cable assembly to the low side (or ground) of the external supply and the red wire to the high side.

NOTE: For proper operation, the external source must provide a supply voltage between 5.8 V and 10.4 V and have a current limit greater than 100 mA.

3 INA209EVM Hardware Setup

The INA209EVM hardware setup involves connecting the two halves of the EVM together, applying power, connecting the USB cable, and setting the jumpers. This section covers the details of this procedure.

3.1 Electrostatic Discharge Warning

Many of the components on the INA209EVM are susceptible to damage by electrostatic discharge (ESD). Customers are advised to observe proper ESD handling precautions when unpacking and handling the EVM, including the use of a grounded wrist strap at an approved ESD workstation.

CAUTION

Failure to observe ESD handling procedures may result in damage to EVM components.

3.2 Typical Hardware Connections

A typical INA209EVM hardware setup connects the two EVM PCBs, then supplying power, and connecting an external shunt and load. The external connections may be the real-world system to which the INA209 will be connected. Figure 6 shows the typical hardware connections.

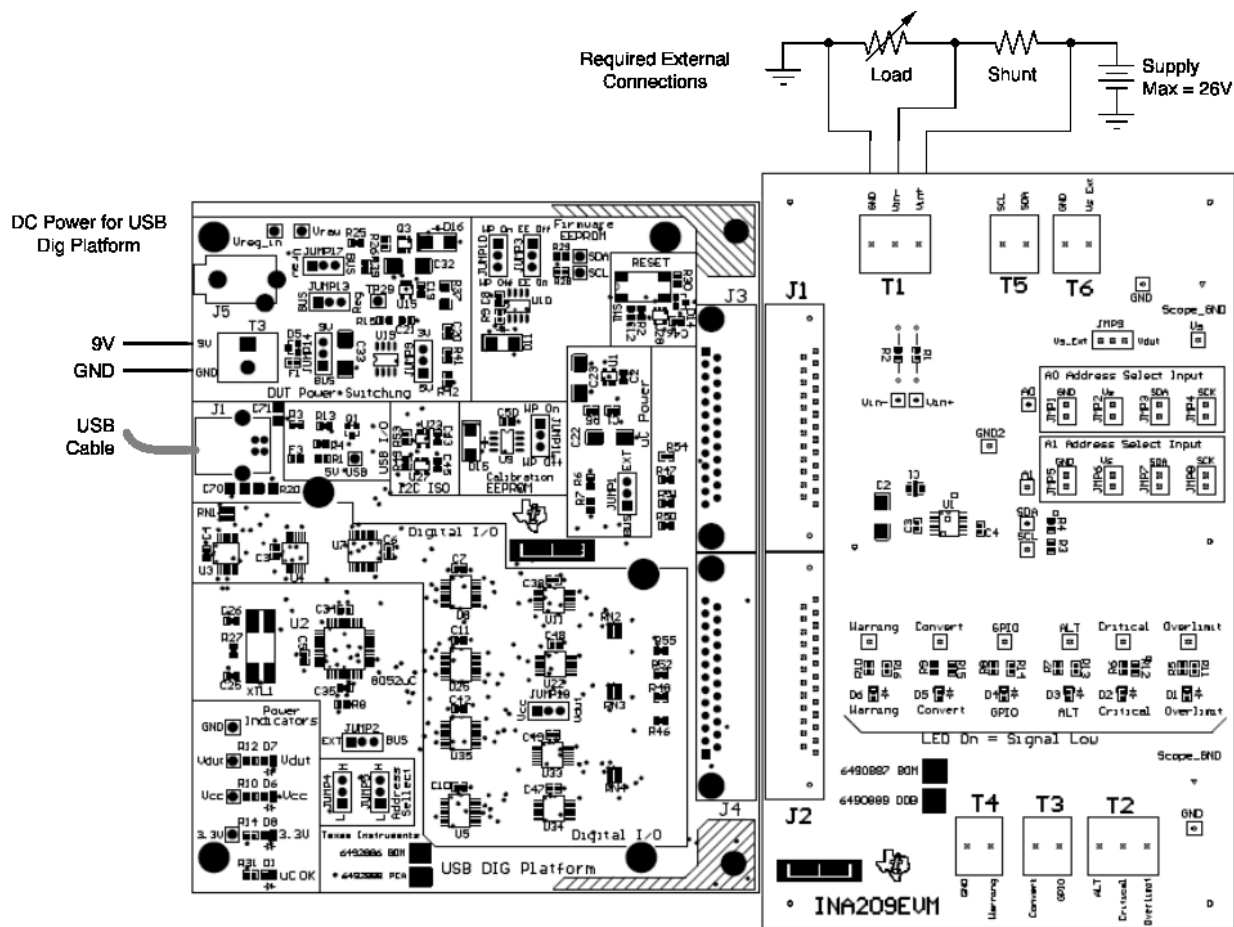


Figure 6. Typical Hardware Connections

3.3 Connecting the Hardware

The best way to connect the two INA209EVM PCBs together is to gently push on both sides of the D-SUB connectors, as shown in Figure 7. Make sure that the two connectors are completely socketed together; loose connections may cause intermittent EVM operation.

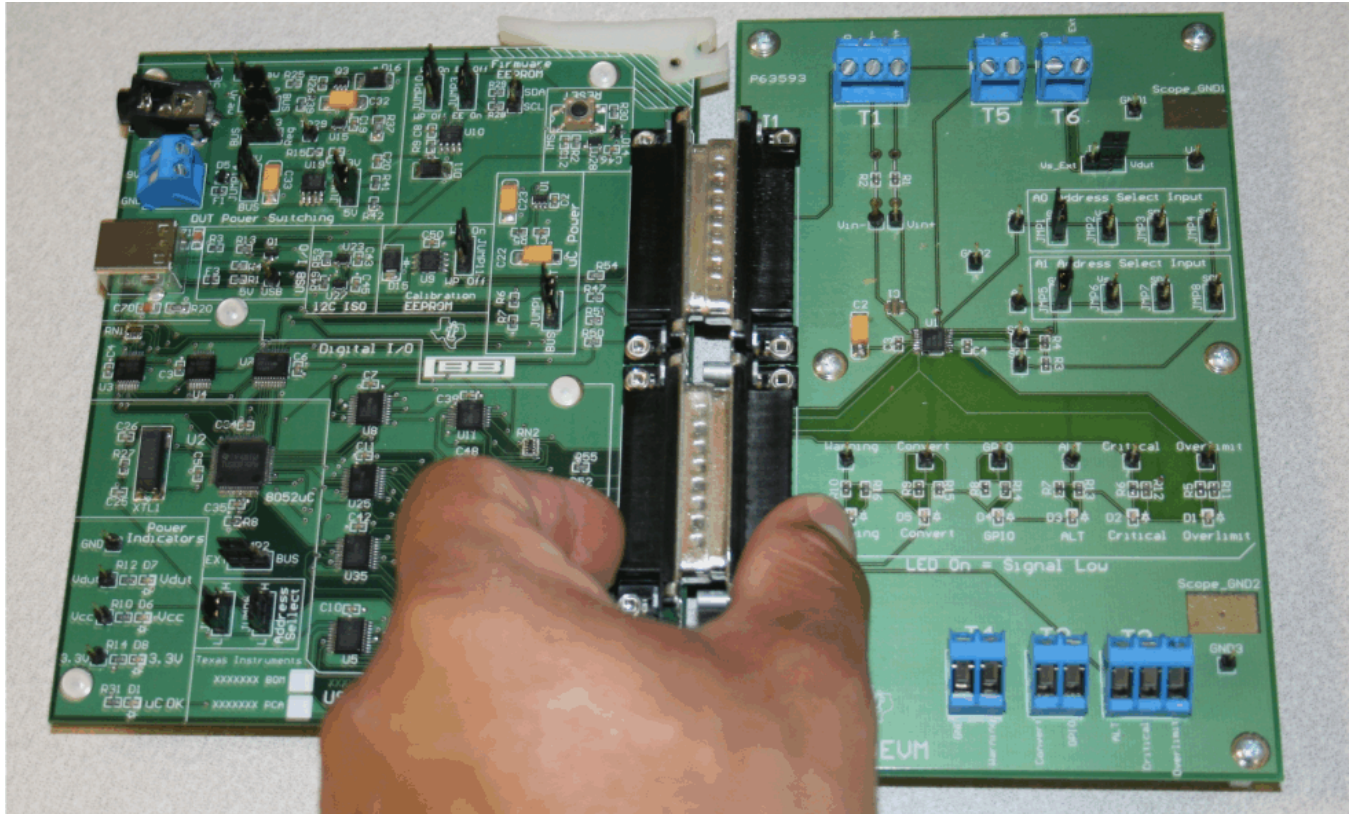


Figure 7. Connecting the Two EVM PCBs

3.4 Connecting Power

Connect the two INA209EVM PCBs prior to connecting a power source, as shown in [Figure 8](#). **Always connect power before connecting the USB cable.** If the USB cable is connected before the power is supplied, the computer will attempt to communicate with an unpowered device, and the device will not be able to respond.

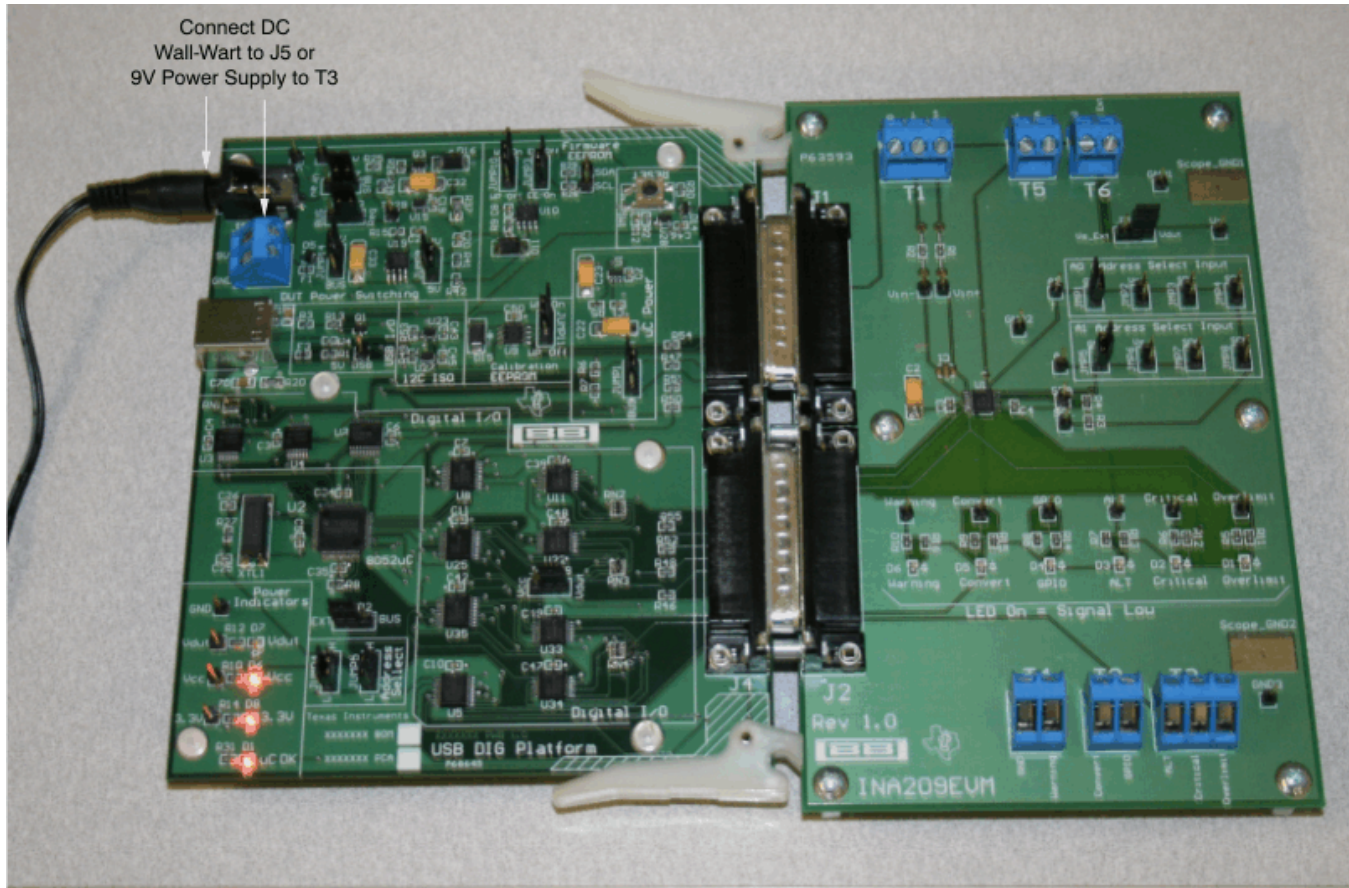
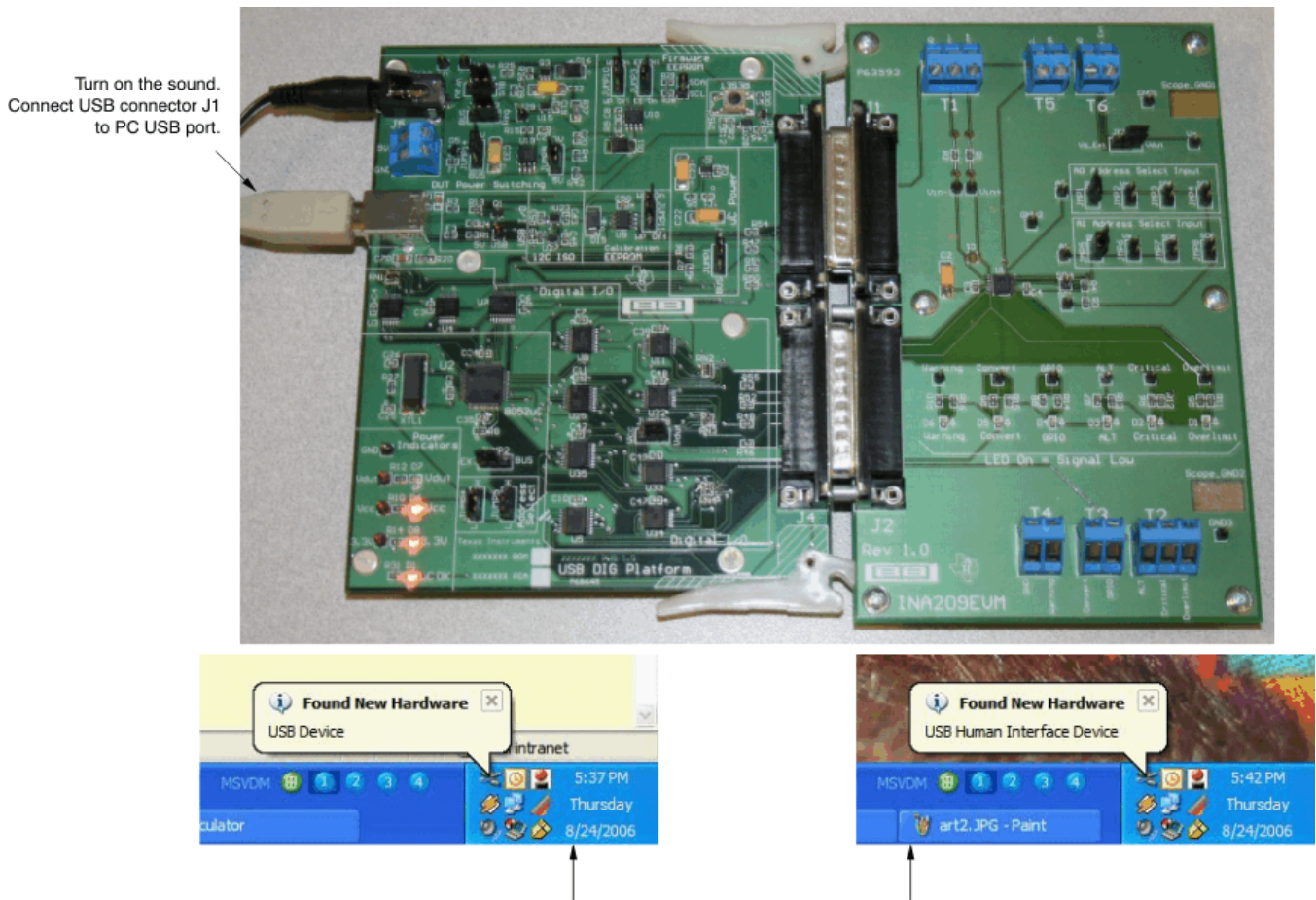


Figure 8. Connecting Power to the EVM

3.5 Connecting the USB Cable to the INA209EVM

Figure 9 shows the typical response to connecting the USB Dig platform to a PC USB port for the first time. Note that the EVM must be powered prior to connecting the USB cable. Typically, the computer will respond with a *Found New Hardware, USB Device* pop-up. The pop-up typically changes to *Found New Hardware, USB Human Interface Device*. This pop-up indicates that the device is ready to be used. The USB Dig platform uses the *Human Interface Device Drivers* that are part of the Microsoft Windows operating system.

In some cases, the Windows *Add Hardware Wizard* will pop-up. If this prompt occurs, allow the system device manager to install the *Human Interface Drivers* by clicking **Yes** when requested to install drivers.



The first time a USB Dig board is plugged into your computer you may get a message, as shown above.

Figure 9. Connecting the USB Cable

3.6 INA209 Jumper Settings

Figure 10 shows the default jumper configuration for the INA209EVM. In general, the jumper settings of the USB Dig platform do not need to be changed. However, you may want to change some of the jumpers on the INA209 test board to match your specific device configuration (for example, to change the I²C address).

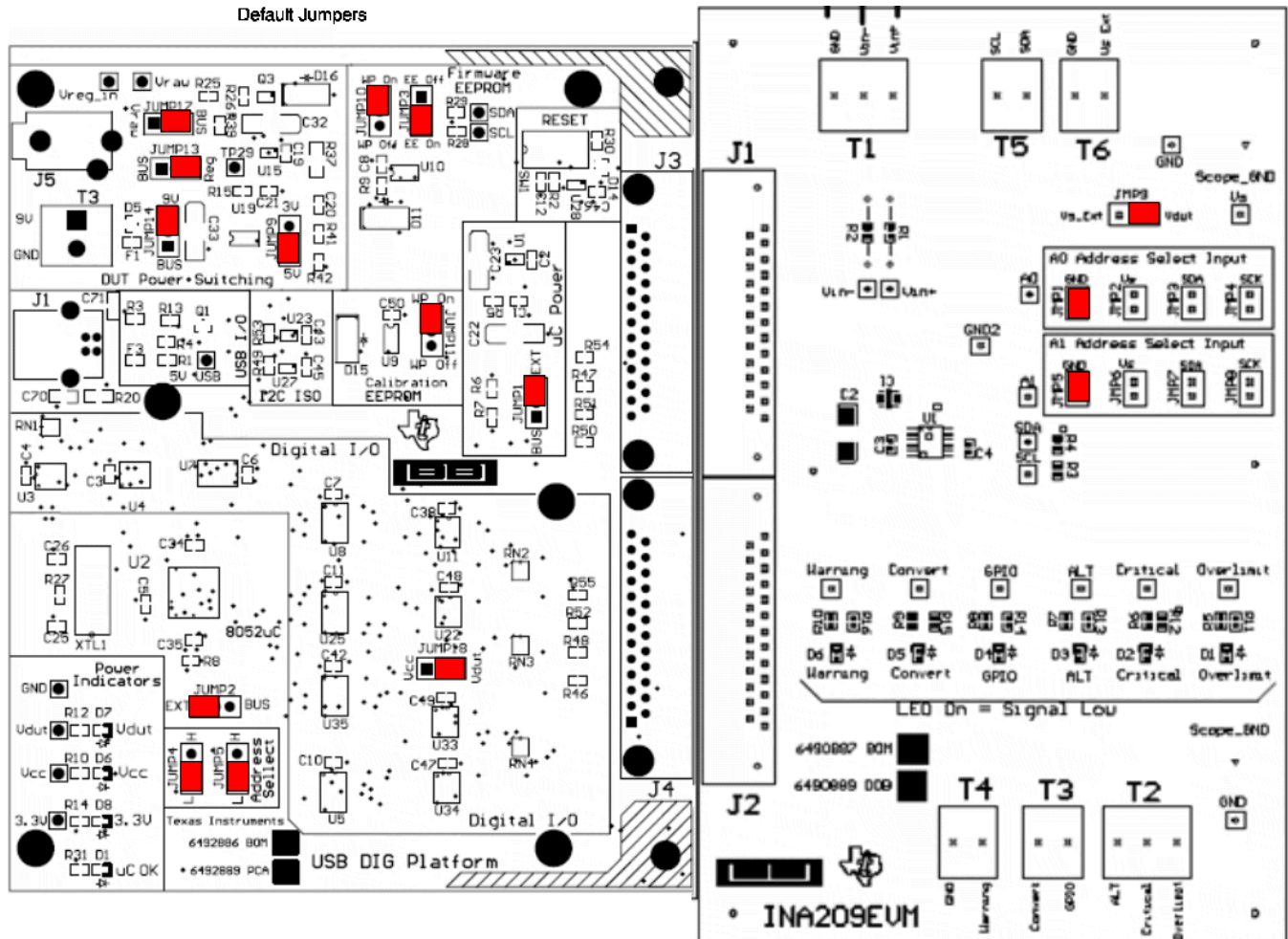


Figure 10. Default Jumper Settings

Table 3 explains the function of the jumpers on the INA209 test board.

Table 3. INA209 Test Board Jumper Function

Jumper	Default	Purpose
JMP1–JMP4	JMP1	A0 address select input. These jumpers determine where the address select pin is connected. This setting connects A0 to GND.
JMP5–JMP8	JMP5	A1 address select input. These jumpers determine where the address select pin is connected. This setting connects A1 to GND.
JMP9	V _{DUT}	This jumper determines where the INA209 gets its power supply. In the V _{DUT} position, the EVM provides power. In the V _{S_Ext} position, the power is connected externally.

Table 4 indicates the function and default position of the USB-DIG-Platform jumpers. For most applications, the default jumper position should be used. Table 5 and Table 6 describe the options for the power-supply configuration. For example, the logic power supply can be changed from the default of 5V to 3V. A separate document ([SBOU058](#)) gives details regarding the operation and design of the USB Dig platform.

Table 4. USB DIG Platform Jumper Settings

Jumper	Default	Purpose
JUMP1	EXT	This jumper selects external power or bus power. External power is applied on J5 (on USB DIG board) or T3 (9V dc). Bus power is 5V from the USB bus. External power is typically used because the USB bus power is noisy.
JUMP2	EXT	This jumper selects external power or bus power. External power is applied on J5 (on USB DIG board) or T3 (9V dc). Bus power is 5V from the USB bus. External power is typically used because the USB bus power is noisy.
JUMP3	EE ON	This jumper determines where the INA209 gets its power supply. In the V_{DUT} position, the EVM provides power. The default is the V_{DUT} position. In the V_{s_Ext} position, the power is connected externally.
JUMP4	L	This sets the address for the USB board. The only reason to change from the default is if multiple boards are being used.
JUMP5	L	This sets the address for the USB board. The only reason to change from the default is if multiple boards are being used.
JUMP9	5V	This selects the voltage of the device under test supply ($V_{DUT} = 5V$ or $3V$)
JUMP10	WP ON	This write protects the firmware EEPROM.
JUMP11	WP ON	This write protects the calibration EEPROM.
JUMP13	Reg	Uses the regulator output to generate the V_{DUT} supply. The USB bus can be used as the V_{DUT} supply.
JUMP14	9V	Uses external power (9V as apposed to the bus).
JUMP17	BUS	<p>While in the BUS position, V_{DUT} operation is normal. While in the V_{RAW} position, the V_{DUT} supply is connected to an external source. This allows for any value of V_{DUT} between 3V and 5V.</p> <div style="border: 1px solid black; padding: 5px; margin: 10px auto; width: fit-content;"> <p style="text-align: center;">CAUTION</p> <p>When JUMP17 is in the V_{RAW} position, adjusting the V_{DUT} voltage beyond the 3V to 5V range will damage the EVM.</p> </div>
JUMP18	V_{DUT}	Connects the pull-up resistor on the GPIO to the V_{DUT} supply or the V_{CC} supply.

Table 5. Power-Supply Jumper Configuration #1

Mode	Jumper	Comment
External Power—5V (default jumper settings)	JUMP17 = BUS (not used) JUMP13 = REG JUMP14 = 9V JUMP1 = EXT JUMP2 = EXT JUMP6 = 5V JUMP7 = REF	In this mode, all power is supplied to the EVM via J5 (on USB DIG board) or T3. The external supply must be between 5.8V and 10.4V for proper operation. All digital I/Os are regulated to 5V using U19 (REG101).
External Power—3V (typical jumper settings)	JUMP17 = BUS (not used) JUMP13 = REG JUMP14 = 9V JUMP1 = EXT JUMP2 = EXT JUMP6 = 3V JUMP7 = REF	In this mode, all power is supplied to the EVM via J5 (on USB DIG board) or T3. The external supply must be between 5.8V and 10.4V for proper operation. All digital I/Os are regulated to 3V using U19 (REG101).
External Power—Variable Supply	JUMP17 = Vraw JUMP13 = BUS JUMP14 = 9V (not used) JUMP1 = EXT JUMP2 = EXT JUMP6 = 5V (not used) JUMP7 = REG (ratiometric mode)	In this mode, all the digital I/Os are referenced to the supply that is attached to either J5 (on USB DIG board) or T3. <div style="border: 1px solid black; padding: 10px; margin: 10px 0; text-align: center;"> <p>CAUTION</p> <p>It is absolutely critical that the supply voltage does not exceed 5.5V in this mode.</p> </div> <p>The supply is directly applied to devices with 5.5V absolute maximum ratings. This mode of operation is useful when a device supply other than 3.0V or 5.0V is required.</p>

Table 6. Power-Supply Jumper Configuration #2

Mode	Jumper	Comment
Bus Power—5V	JUMP17 = BUS JUMP13 = BUS JUMP14 = 9V (not used) JUMP1 = BUS JUMP2 = BUS JUMP6 = 5V (not used) JUMP7 = REG (ratiometric mode, 5V supply)	In this mode, the USB bus completely powers the EVM. The USB bus is regulated by the master (computer) to be 5V. This mode relies upon external regulation. This mode is recommended only when an external 9V supply is not available. If an external 9V supply is available, use either <i>External Power 5V</i> mode or <i>External Power 3V</i> mode.
Bus Power—3V	JUMP17 = BUS (not used) JUMP13 = REG JUMP14 = BUS JUMP1 = BUS JUMP2 = BUS JUMP6 = 3V JUMP7 = REG (ratiometric mode, 5V supply)	In this mode, the USB bus completely powers the EVM. The regulator (U19, REG101) is used to generate a 3V supply for all digital I/O.

3.7 Connecting External Power to the INA209EVM

The INA209 power supply (V_S) operates over the range of 3V to 5.5V (see the [INA209 product data sheet](#)). The default jumper position provides 5V to the INA209 from the USB-DIG-Platform. The power from the USB-DIG-Platform can be changed to 3V using JUMP9.

Another option is to connect power to the INA209 power supply (V_S) using an external power supply. In this case, connect power to the T3 terminal block and set JMP1 to the Vs_EXT position. The INA209 power supply (V_S) operates over the range of 3V to 5.5V, so be careful to not exceed this range.

3.8 Connecting External Signals to the INA209EVM

The INA209 shunt and bus voltages are applied via terminal block T4. The T4 terminal block is a direct connection to V_{IN+} and V_{IN-} of the INA209. The bus voltage is monitored on V_{IN-} (26V max). The shunt voltage is the difference between V_{IN-} and V_{IN+} (320mV max). Refer to the [INA209 data sheet](#) for more details

4 INA209 Software Overview

This section explains how to install and use the INA209 software.

4.1 Operating Systems for the INA209 Software

The INA209 software has been tested on Windows XP with United States and European regional settings. The software should also function on other Windows operating systems. Please report any compatibility issues to precisionamps@list.ti.com.

4.2 INA209EVM Software Install

Install the INA209EVM software by following these steps:

1. Software can be downloaded from the INA209EVM web page, or from the disk included with the INA209EVM, which contains a folder called *Install_software/*.
2. Find the file called *setup.exe*. Double-click the file to start the installation process.
3. Follow the on-screen prompts to install the software.
4. To remove the application, use the Windows Control Panel utility, *Add/Remove Software*.
5. The INA209 Quickstart Video (included on the CD), or available at www.ti.com, gives more details regarding the initialization of the software.

4.3 Starting the INA209EVM Software

Use the Windows *Start* menu to start the INA209 software. From *Start*, select *All Programs*, then select the *INA209EVM* program. [Figure 11](#) shows the software display if the EVM is functioning properly.

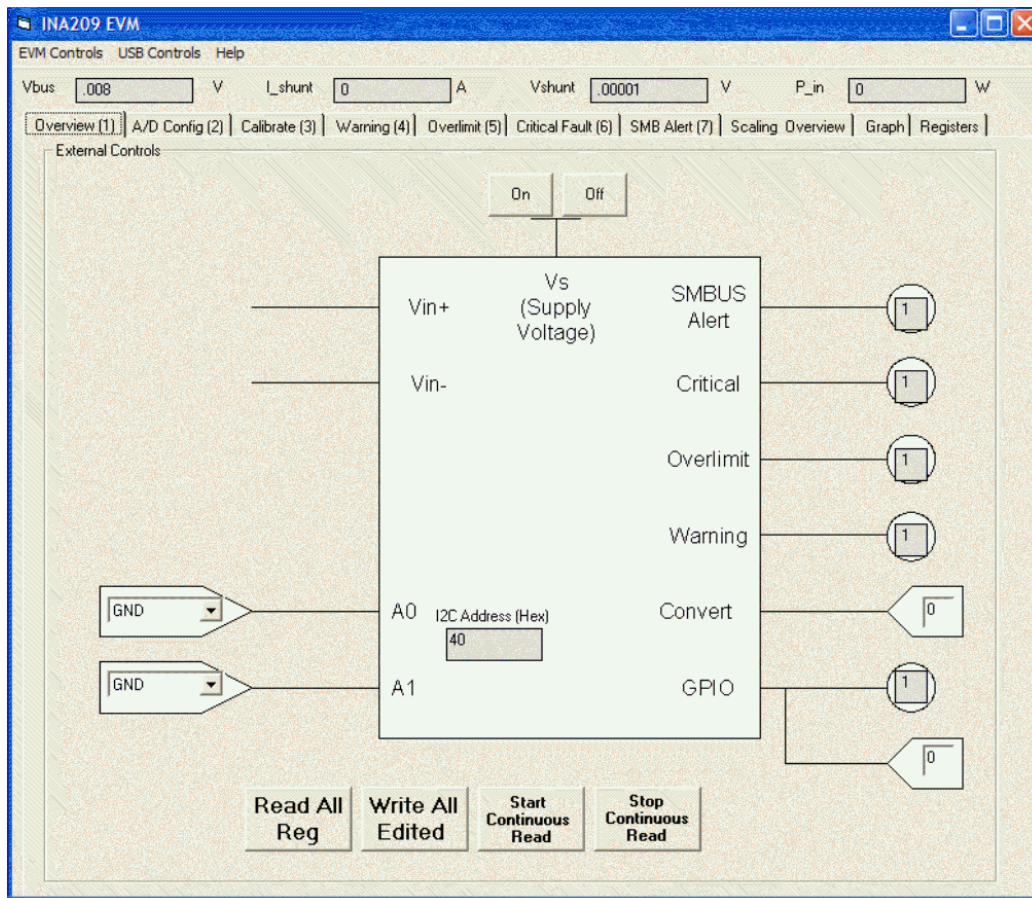


Figure 11. INA209EVM Software—Functioning Properly

Figure 12 shows an error that appears if the computer cannot communicate with the EVM. If this error occurs, check to see that the USB cable is connected. This error can also happen if the USB cable is connected prior to connecting the USB Dig platform 9V power. Another possible reason for this error message is a problem with the USB human interface device driver of the computer. Make sure that the computer recognizes the device when the USB cable is plugged in. If the sound is on, you will hear the distinctive sound that you expect when a USB device is properly connected to a PC with the Windows operating system.

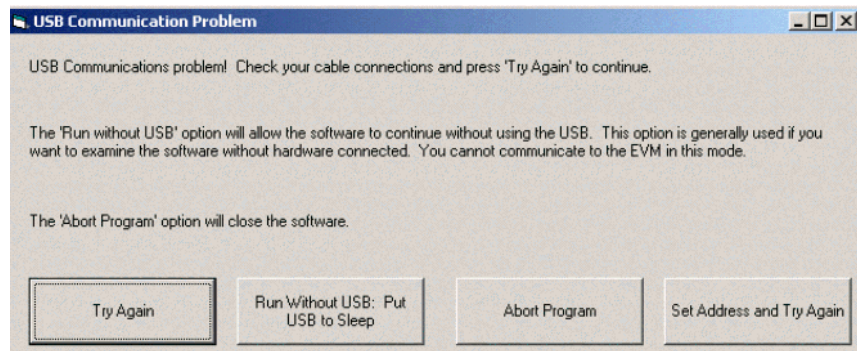


Figure 12. INA209EVM Software—No Communication With the USB Dig Platform

See Figure 13 for an error that will occur if the INA209 test board is not communicating with the USB Dig platform. If you get this error, check the connectors between the two boards; make sure the two 25-pin D-sub connectors are completely pushed together. Another possible cause for this error is it that the INA209 test board jumpers are set in the wrong positions.

4.4 Using the INA209 Software

The INA209EVM software has 10 different tabs that allow you to access different features of the INA209. The first seven tabs were designed for complete configuration of the device by stepping through these tabs in order. Each of these tabs are intended to have an intuitive graphical interface that allows users to develop a better understanding of the INA209.

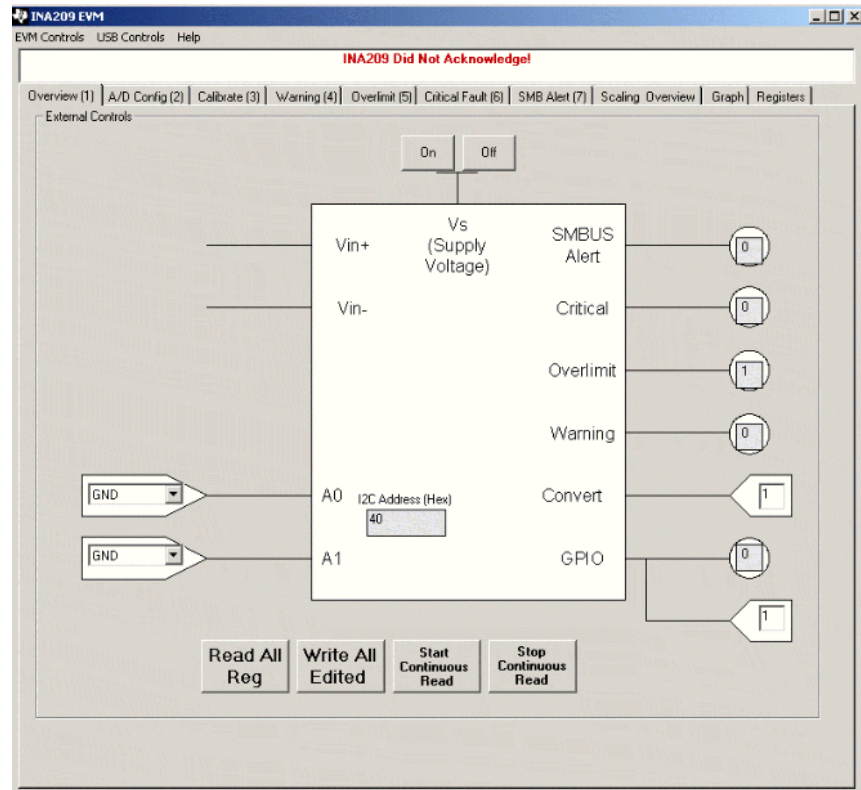


Figure 13. INA209EVM Software—No Communication Between the USB Dig Platform and the INA209

4.4.1 Software Overview Tab

This tab has the following controls:

- Turn on and off the power supply
- Set the I²C address
- Set the logic value on the GPIO and Convert pins
- Read the logic values on the Alert, Critical, Overlimit, and Warning pins

4.4.2 A/D Config Tab

Controls on this tab:

- Shunt voltage attenuator range (smallest range is 40mV, largest range is 320mV).
- Shunt voltage configuration—Resolution and number averages. Note that increasing the number of averages will decrease noise, but will slow down the conversion rate.
- Bus voltage attenuator range (16V and 32V)—Note that the maximum bus voltage for the INA209 is 26V. Therefore, the 32V range cannot be fully used.
- Bus voltage configuration—Resolution and number averages. Note that increasing the number of averages will decrease noise but will slow down the conversion rate.
- A/D converter mode—This control determines how the converters work. The most commonly used mode is the shunt and bus continuous conversion mode. This mode causes both converters to run continuously.

NOTE: More details on these options are explained in the [INA209 data sheet](#) and the data sheet sections *Register Details* and *Data Output Registers*.

4.4.3 Calibrate Tab

The calibration tab allows users to enter some information regarding a specific INA209 configuration. This information is used to compute the *Full Scale Cal Register*. The Full Scale Cal Register converts shunt voltage to current voltage. The detailed mathematics behind this calibration feature are given in the [INA209 data sheet section, Calibration Register Scaling](#). Also, this feature is explained in a step-by-step manner in the [QuickStart Video](#).

4.4.4 Warning Tab

The warning tab allows you to completely configure the warning feature on the INA209. Specifically, there are warning limit registers for Power, Bus Overvoltage, Bus Undervoltage, Shunt Voltage Positive, and Shunt Voltage Negative. If an INA209 reading exceeds the value in a warning limit register, the INA209 warning will trip. Other options on the warning feature are also set on this tab (for instance, the delay, polarity, latch enable, and output enable). See the [Warning/Watchdog Registers section of the INA209 data sheet](#).

4.4.5 Overlimit Tab

The overlimit tab allows you to completely configure the overlimit feature on the INA209. Specifically, there are overlimit limit registers for Power, Bus Overvoltage, and Bus Undervoltage. If an INA209 reading exceeds the value in a overlimit limit register, the INA209 overlimit will trip. Other options on the warning feature are also set on this tab (for example, the delay, polarity, latch enable, and output enable). See the [Over-Limit/Critical Watchdog Registers section of the INA209 data sheet](#).

4.4.6 Critical Fault Tab

The Critical Fault tab allows complete configuration of the Critical Fault feature on the INA209. The Critical Fault feature is an analog path that will trigger when the shunt voltage exceeds a specific level. The level is set by the *Critical DAC+* and the *Critical DAC-* controls. Hysteresis, polarity, latch enable, and output enable options can also be set. See the [Over-Limit/Critical Watchdog Registers section of the INA209 data sheet](#).

4.4.7 SMB Alert Tab

The SMB Alert tab sets the Alert mask register. This register configures the INA209 to allow some events to cause an SMB Alert, while preventing (or masking) other events from causing an Alert. This tab allows the Alert output to be enabled or disabled.

4.4.8 Scaling Overview Tab

This tab allows you to see how the mathematics work in the INA209. Specifically, this tab shows how the current and power values are computed using the full-scale calibration register.

4.4.9 Graph Tab

The graph tab displays bus voltage, shunt current, and power versus time when the software is in continuous convert mode.

4.4.10 Registers Tab

This tab allows reading and editing of all the registers in the INA209. All the previous tabs will affect the register listing. For example, changing the A/D configuration in tab 2 will affect Register 0 in the register list. It is also true that changing Register 0 will update the A/D configuration on tab 2. Thus, the graphical representation and register representation affect each other.

4.5 EVM Controls Pull-Down Menu

The INA209 configuration (such as register settings) can be saved or loaded using the *EVM Controls* pull-down menu, as shown in Figure 14. The file that the configuration is saved into is a simple text file and can be viewed with any text editor.

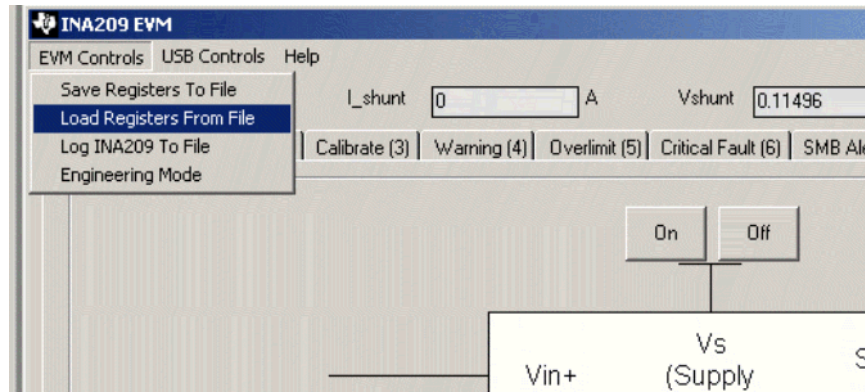


Figure 14. EVM Controls Pull-Down Menu

4.6 Help Pull-Down Menu

The *About* feature can be used to check the current revision. This document is based on revision 1.0.9, as shown in Figure 15.

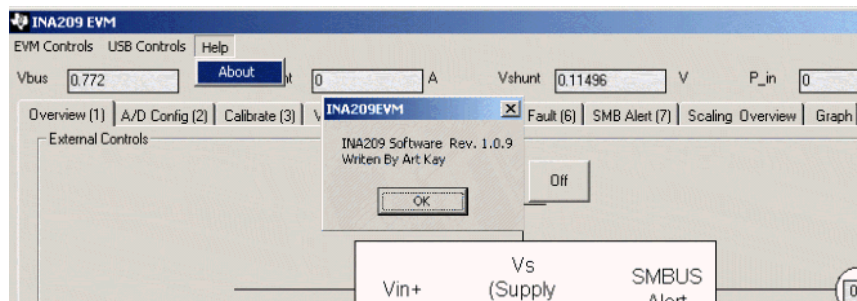


Figure 15. Current Revision of Software

5 Bill of Materials

Table 7 shows the parts list for the INA209 test board.

Table 7. Parts List for the INA209 Test Board

Quantity	Value	RefDes	Description	Vendor	Part Number
6	4.02kΩ	R5–R10	Resistor, 4.02kΩ, 603	ROHM	MCR03EZPFX4021
8	10kΩ	R3, R4, R11–R16	Resistor, 10kΩ, 603	Yageo Corporation	RC0603FR-0710KL
2	10Ω	R1, R2	RES 10.0Ω 1/10W 1% 0603 SMD	Yageo Corporation	RC0603FR-0710RL
1	10μF	C2	Capacitor, Tantalum, 10μF, 16V, 6032	Kemet	T491C106M016AT
2	0.1μF	C3, C4	Capacitor, Ceramic, 0.1μF, 1206, X7R	Yageo Electric	CC1206KRX7R9BB104
1	1000pF	C1	X2Y® Cap	Johanson	500X18N102MV4
6	LED	D1–D6	Diode, LED, Ultra Bright Diff, 603	Panasonic	LNJ208R8ARA
1	DSUB25M	J1	Conn D-Sub Plug R/A 25pos 30gold (with threaded inserts and board locks)	AMP/Tyco Electronics	5747842-4
1	DSUB25F	J2	Conn D-Sub Rcpt R/A 25pos 30gold (with threaded inserts and board locks)	AMP/Tyco Electronics	5747846-4
8	JUMP2 Cut to Size	JMP1–JMP8	Conn, Header, 0.100, 36pos (18 jumpers/strip)	3M/ESD	929647-09-36-I
1	JUMP3 Cut to Size	JMP9	Conn, Header, 0.100, 36pos (12 jumpers/strip)	3M/ESD	929647-09-36-I
16	TP Cut to Size	All Test Points	Conn, Header, 0.100, 36pos (36 test points/strip)	3M/ESD	929647-09-36-I
6	Standoff	None	Standoffs, Hex , 4-40 Threaded, 0.500" Length, 0.250" OD, Aluminum Iridite Finish	Keystone	2203
6	Screw	None	Screw, Machine, Phil 4-40X1/4 SS	Building Fasteners	PMSSS 440 0025 PH
4	2-Pin Connector	T3–T6	2-Position Terminal Strip, Cage Clamp, 45°, 15A, Dove-tailed	On-Shore Technology Inc	ED300/2
2	3-Pin Connector	T1, T2	3-Position Terminal Strip, Cage Clamp, 45°, 15A, Dove-tailed	On-Shore Technology Inc	ED300/3
1	INA209	U1	IC Curr/Pwr Mon Bi-Dir 16-TSSOP	Texas Instruments	INA209AIPWR

Revision History

NOTE: Page numbers for previous revisions may differ from page numbers in the current version.

Changes from A Revision (February, 2010) to B Revision	Page
• Changed Figure 1	2
• Added "Barrel plug cable" to the kit items list in Section 1.1	3
• Added new paragraph and NOTE to Section 2.4	9
• Added "(on USB DIG board)" to J5 in Table 4	15
• Added "(on USB DIG board)" to J5 in Table 4	16

Revision History

Changes from Original (February, 2008) to A Revision	Page
• Revised Table 4	15
• Added Table 5 and Table 6	16
• Added Section 3.7	17
• Added Section 3.8	17

STANDARD TERMS AND CONDITIONS FOR EVALUATION MODULES

1. *Delivery:* TI delivers TI evaluation boards, kits, or modules, including any accompanying demonstration software, components, or documentation (collectively, an "EVM" or "EVMs") to the User ("User") in accordance with the terms and conditions set forth herein. Acceptance of the EVM is expressly subject to the following terms and conditions.
 - 1.1 EVMs are intended solely for product or software developers for use in a research and development setting to facilitate feasibility evaluation, experimentation, or scientific analysis of TI semiconductors products. EVMs have no direct function and are not finished products. EVMs shall not be directly or indirectly assembled as a part or subassembly in any finished product. For clarification, any software or software tools provided with the EVM ("Software") shall not be subject to the terms and conditions set forth herein but rather shall be subject to the applicable terms and conditions that accompany such Software
 - 1.2 EVMs are not intended for consumer or household use. EVMs may not be sold, sublicensed, leased, rented, loaned, assigned, or otherwise distributed for commercial purposes by Users, in whole or in part, or used in any finished product or production system.
2. *Limited Warranty and Related Remedies/Disclaimers:*
 - 2.1 These terms and conditions do not apply to Software. The warranty, if any, for Software is covered in the applicable Software License Agreement.
 - 2.2 TI warrants that the TI EVM will conform to TI's published specifications for ninety (90) days after the date TI delivers such EVM to User. Notwithstanding the foregoing, TI shall not be liable for any defects that are caused by neglect, misuse or mistreatment by an entity other than TI, including improper installation or testing, or for any EVMs that have been altered or modified in any way by an entity other than TI. Moreover, TI shall not be liable for any defects that result from User's design, specifications or instructions for such EVMs. Testing and other quality control techniques are used to the extent TI deems necessary or as mandated by government requirements. TI does not test all parameters of each EVM.
 - 2.3 If any EVM fails to conform to the warranty set forth above, TI's sole liability shall be at its option to repair or replace such EVM, or credit User's account for such EVM. TI's liability under this warranty shall be limited to EVMs that are returned during the warranty period to the address designated by TI and that are determined by TI not to conform to such warranty. If TI elects to repair or replace such EVM, TI shall have a reasonable time to repair such EVM or provide replacements. Repaired EVMs shall be warranted for the remainder of the original warranty period. Replaced EVMs shall be warranted for a new full ninety (90) day warranty period.
3. *Regulatory Notices:*
 - 3.1 *United States*
 - 3.1.1 *Notice applicable to EVMs not FCC-Approved:*

This kit is designed to allow product developers to evaluate electronic components, circuitry, or software associated with the kit to determine whether to incorporate such items in a finished product and software developers to write software applications for use with the end product. This kit is not a finished product and when assembled may not be resold or otherwise marketed unless all required FCC equipment authorizations are first obtained. Operation is subject to the condition that this product not cause harmful interference to licensed radio stations and that this product accept harmful interference. Unless the assembled kit is designed to operate under part 15, part 18 or part 95 of this chapter, the operator of the kit must operate under the authority of an FCC license holder or must secure an experimental authorization under part 5 of this chapter.
 - 3.1.2 *For EVMs annotated as FCC – FEDERAL COMMUNICATIONS COMMISSION Part 15 Compliant:*

CAUTION

This device complies with part 15 of the FCC Rules. Operation is subject to the following two conditions: (1) This device may not cause harmful interference, and (2) this device must accept any interference received, including interference that may cause undesired operation.

Changes or modifications not expressly approved by the party responsible for compliance could void the user's authority to operate the equipment.

FCC Interference Statement for Class A EVM devices

NOTE: This equipment has been tested and found to comply with the limits for a Class A digital device, pursuant to part 15 of the FCC Rules. These limits are designed to provide reasonable protection against harmful interference when the equipment is operated in a commercial environment. This equipment generates, uses, and can radiate radio frequency energy and, if not installed and used in accordance with the instruction manual, may cause harmful interference to radio communications. Operation of this equipment in a residential area is likely to cause harmful interference in which case the user will be required to correct the interference at his own expense.

FCC Interference Statement for Class B EVM devices

NOTE: This equipment has been tested and found to comply with the limits for a Class B digital device, pursuant to part 15 of the FCC Rules. These limits are designed to provide reasonable protection against harmful interference in a residential installation. This equipment generates, uses and can radiate radio frequency energy and, if not installed and used in accordance with the instructions, may cause harmful interference to radio communications. However, there is no guarantee that interference will not occur in a particular installation. If this equipment does cause harmful interference to radio or television reception, which can be determined by turning the equipment off and on, the user is encouraged to try to correct the interference by one or more of the following measures:

- Reorient or relocate the receiving antenna.
- Increase the separation between the equipment and receiver.
- Connect the equipment into an outlet on a circuit different from that to which the receiver is connected.
- Consult the dealer or an experienced radio/TV technician for help.

3.2 Canada

3.2.1 For EVMs issued with an Industry Canada Certificate of Conformance to RSS-210

Concerning EVMs Including Radio Transmitters:

This device complies with Industry Canada license-exempt RSS standard(s). Operation is subject to the following two conditions: (1) this device may not cause interference, and (2) this device must accept any interference, including interference that may cause undesired operation of the device.

Concernant les EVMs avec appareils radio:

Le présent appareil est conforme aux CNR d'Industrie Canada applicables aux appareils radio exempts de licence. L'exploitation est autorisée aux deux conditions suivantes: (1) l'appareil ne doit pas produire de brouillage, et (2) l'utilisateur de l'appareil doit accepter tout brouillage radioélectrique subi, même si le brouillage est susceptible d'en compromettre le fonctionnement.

Concerning EVMs Including Detachable Antennas:

Under Industry Canada regulations, this radio transmitter may only operate using an antenna of a type and maximum (or lesser) gain approved for the transmitter by Industry Canada. To reduce potential radio interference to other users, the antenna type and its gain should be so chosen that the equivalent isotropically radiated power (e.i.r.p.) is not more than that necessary for successful communication. This radio transmitter has been approved by Industry Canada to operate with the antenna types listed in the user guide with the maximum permissible gain and required antenna impedance for each antenna type indicated. Antenna types not included in this list, having a gain greater than the maximum gain indicated for that type, are strictly prohibited for use with this device.

Concernant les EVMs avec antennes détachables

Conformément à la réglementation d'Industrie Canada, le présent émetteur radio peut fonctionner avec une antenne d'un type et d'un gain maximal (ou inférieur) approuvé pour l'émetteur par Industrie Canada. Dans le but de réduire les risques de brouillage radioélectrique à l'intention des autres utilisateurs, il faut choisir le type d'antenne et son gain de sorte que la puissance isotrope rayonnée équivalente (p.i.r.e.) ne dépasse pas l'intensité nécessaire à l'établissement d'une communication satisfaisante. Le présent émetteur radio a été approuvé par Industrie Canada pour fonctionner avec les types d'antenne énumérés dans le manuel d'usage et ayant un gain admissible maximal et l'impédance requise pour chaque type d'antenne. Les types d'antenne non inclus dans cette liste, ou dont le gain est supérieur au gain maximal indiqué, sont strictement interdits pour l'exploitation de l'émetteur.

3.3 Japan

3.3.1 *Notice for EVMs delivered in Japan:* Please see http://www.tij.co.jp/lstds/ti_ja/general/eStore/notice_01.page 日本国内に輸入される評価用キット、ボードについては、次のところをご覧ください。
http://www.tij.co.jp/lstds/ti_ja/general/eStore/notice_01.page

3.3.2 *Notice for Users of EVMs Considered "Radio Frequency Products" in Japan:* EVMs entering Japan may not be certified by TI as conforming to Technical Regulations of Radio Law of Japan.

If User uses EVMs in Japan, not certified to Technical Regulations of Radio Law of Japan, User is required by Radio Law of Japan to follow the instructions below with respect to EVMs:

1. Use EVMs in a shielded room or any other test facility as defined in the notification #173 issued by Ministry of Internal Affairs and Communications on March 28, 2006, based on Sub-section 1.1 of Article 6 of the Ministry's Rule for Enforcement of Radio Law of Japan,
2. Use EVMs only after User obtains the license of Test Radio Station as provided in Radio Law of Japan with respect to EVMs, or
3. Use of EVMs only after User obtains the Technical Regulations Conformity Certification as provided in Radio Law of Japan with respect to EVMs. Also, do not transfer EVMs, unless User gives the same notice above to the transferee. Please note that if User does not follow the instructions above, User will be subject to penalties of Radio Law of Japan.

【無線電波を送信する製品の開発キットをお使いになる際の注意事項】 開発キットの中には技術基準適合証明を受けていないものがあります。技術適合証明を受けていないもののご使用に際しては、電波法遵守のため、以下のいずれかの措置を取っていただく必要がありますのでご注意ください。

1. 電波法施行規則第6条第1項第1号に基づく平成18年3月28日総務省告示第173号で定められた電波暗室等の試験設備でご使用いただく。
2. 実験局の免許を取得後ご使用いただく。
3. 技術基準適合証明を取得後ご使用いただく。

なお、本製品は、上記の「ご使用にあたっての注意」を譲渡先、移転先に通知しない限り、譲渡、移転できないものとします。

上記を遵守頂けない場合は、電波法の罰則が適用される可能性があることをご留意ください。日本テキサス・インスツルメンツ株式会社

東京都新宿区西新宿 6 丁目 2 4 番 1 号

西新宿三井ビル

3.3.3 *Notice for EVMs for Power Line Communication:* Please see http://www.tij.co.jp/llds/ti_ja/general/eStore/notice_02.page

電力線搬送波通信についての開発キットをお使いになる際の注意事項については、次のところをご覧ください。http://www.tij.co.jp/llds/ti_ja/general/eStore/notice_02.page

4 *EVM Use Restrictions and Warnings:*

4.1 EVMS ARE NOT FOR USE IN FUNCTIONAL SAFETY AND/OR SAFETY CRITICAL EVALUATIONS, INCLUDING BUT NOT LIMITED TO EVALUATIONS OF LIFE SUPPORT APPLICATIONS.

4.2 User must read and apply the user guide and other available documentation provided by TI regarding the EVM prior to handling or using the EVM, including without limitation any warning or restriction notices. The notices contain important safety information related to, for example, temperatures and voltages.

4.3 *Safety-Related Warnings and Restrictions:*

4.3.1 User shall operate the EVM within TI's recommended specifications and environmental considerations stated in the user guide, other available documentation provided by TI, and any other applicable requirements and employ reasonable and customary safeguards. Exceeding the specified performance ratings and specifications (including but not limited to input and output voltage, current, power, and environmental ranges) for the EVM may cause personal injury or death, or property damage. If there are questions concerning performance ratings and specifications, User should contact a TI field representative prior to connecting interface electronics including input power and intended loads. Any loads applied outside of the specified output range may also result in unintended and/or inaccurate operation and/or possible permanent damage to the EVM and/or interface electronics. Please consult the EVM user guide prior to connecting any load to the EVM output. If there is uncertainty as to the load specification, please contact a TI field representative. During normal operation, even with the inputs and outputs kept within the specified allowable ranges, some circuit components may have elevated case temperatures. These components include but are not limited to linear regulators, switching transistors, pass transistors, current sense resistors, and heat sinks, which can be identified using the information in the associated documentation. When working with the EVM, please be aware that the EVM may become very warm.

4.3.2 EVMs are intended solely for use by technically qualified, professional electronics experts who are familiar with the dangers and application risks associated with handling electrical mechanical components, systems, and subsystems. User assumes all responsibility and liability for proper and safe handling and use of the EVM by User or its employees, affiliates, contractors or designees. User assumes all responsibility and liability to ensure that any interfaces (electronic and/or mechanical) between the EVM and any human body are designed with suitable isolation and means to safely limit accessible leakage currents to minimize the risk of electrical shock hazard. User assumes all responsibility and liability for any improper or unsafe handling or use of the EVM by User or its employees, affiliates, contractors or designees.

4.4 User assumes all responsibility and liability to determine whether the EVM is subject to any applicable international, federal, state, or local laws and regulations related to User's handling and use of the EVM and, if applicable, User assumes all responsibility and liability for compliance in all respects with such laws and regulations. User assumes all responsibility and liability for proper disposal and recycling of the EVM consistent with all applicable international, federal, state, and local requirements.

5. *Accuracy of Information:* To the extent TI provides information on the availability and function of EVMs, TI attempts to be as accurate as possible. However, TI does not warrant the accuracy of EVM descriptions, EVM availability or other information on its websites as accurate, complete, reliable, current, or error-free.

6. *Disclaimers:*
- 6.1 EXCEPT AS SET FORTH ABOVE, EVMS AND ANY WRITTEN DESIGN MATERIALS PROVIDED WITH THE EVM (AND THE DESIGN OF THE EVM ITSELF) ARE PROVIDED "AS IS" AND "WITH ALL FAULTS." TI DISCLAIMS ALL OTHER WARRANTIES, EXPRESS OR IMPLIED, REGARDING SUCH ITEMS, INCLUDING BUT NOT LIMITED TO ANY IMPLIED WARRANTIES OF MERCHANTABILITY OR FITNESS FOR A PARTICULAR PURPOSE OR NON-INFRINGEMENT OF ANY THIRD PARTY PATENTS, COPYRIGHTS, TRADE SECRETS OR OTHER INTELLECTUAL PROPERTY RIGHTS.
- 6.2 EXCEPT FOR THE LIMITED RIGHT TO USE THE EVM SET FORTH HEREIN, NOTHING IN THESE TERMS AND CONDITIONS SHALL BE CONSTRUED AS GRANTING OR CONFERRING ANY RIGHTS BY LICENSE, PATENT, OR ANY OTHER INDUSTRIAL OR INTELLECTUAL PROPERTY RIGHT OF TI, ITS SUPPLIERS/LICENSORS OR ANY OTHER THIRD PARTY, TO USE THE EVM IN ANY FINISHED END-USER OR READY-TO-USE FINAL PRODUCT, OR FOR ANY INVENTION, DISCOVERY OR IMPROVEMENT MADE, CONCEIVED OR ACQUIRED PRIOR TO OR AFTER DELIVERY OF THE EVM.
7. *USER'S INDEMNITY OBLIGATIONS AND REPRESENTATIONS.* USER WILL DEFEND, INDEMNIFY AND HOLD TI, ITS LICENSORS AND THEIR REPRESENTATIVES HARMLESS FROM AND AGAINST ANY AND ALL CLAIMS, DAMAGES, LOSSES, EXPENSES, COSTS AND LIABILITIES (COLLECTIVELY, "CLAIMS") ARISING OUT OF OR IN CONNECTION WITH ANY HANDLING OR USE OF THE EVM THAT IS NOT IN ACCORDANCE WITH THESE TERMS AND CONDITIONS. THIS OBLIGATION SHALL APPLY WHETHER CLAIMS ARISE UNDER STATUTE, REGULATION, OR THE LAW OF TORT, CONTRACT OR ANY OTHER LEGAL THEORY, AND EVEN IF THE EVM FAILS TO PERFORM AS DESCRIBED OR EXPECTED.
8. *Limitations on Damages and Liability:*
- 8.1 *General Limitations.* IN NO EVENT SHALL TI BE LIABLE FOR ANY SPECIAL, COLLATERAL, INDIRECT, PUNITIVE, INCIDENTAL, CONSEQUENTIAL, OR EXEMPLARY DAMAGES IN CONNECTION WITH OR ARISING OUT OF THESE TERMS AND CONDITIONS OR THE USE OF THE EVMS PROVIDED HEREUNDER, REGARDLESS OF WHETHER TI HAS BEEN ADVISED OF THE POSSIBILITY OF SUCH DAMAGES. EXCLUDED DAMAGES INCLUDE, BUT ARE NOT LIMITED TO, COST OF REMOVAL OR REINSTALLATION, ANCILLARY COSTS TO THE PROCUREMENT OF SUBSTITUTE GOODS OR SERVICES, RETESTING, OUTSIDE COMPUTER TIME, LABOR COSTS, LOSS OF GOODWILL, LOSS OF PROFITS, LOSS OF SAVINGS, LOSS OF USE, LOSS OF DATA, OR BUSINESS INTERRUPTION. NO CLAIM, SUIT OR ACTION SHALL BE BROUGHT AGAINST TI MORE THAN ONE YEAR AFTER THE RELATED CAUSE OF ACTION HAS OCCURRED.
- 8.2 *Specific Limitations.* IN NO EVENT SHALL TI'S AGGREGATE LIABILITY FROM ANY WARRANTY OR OTHER OBLIGATION ARISING OUT OF OR IN CONNECTION WITH THESE TERMS AND CONDITIONS, OR ANY USE OF ANY TI EVM PROVIDED HEREUNDER, EXCEED THE TOTAL AMOUNT PAID TO TI FOR THE PARTICULAR UNITS SOLD UNDER THESE TERMS AND CONDITIONS WITH RESPECT TO WHICH LOSSES OR DAMAGES ARE CLAIMED. THE EXISTENCE OF MORE THAN ONE CLAIM AGAINST THE PARTICULAR UNITS SOLD TO USER UNDER THESE TERMS AND CONDITIONS SHALL NOT ENLARGE OR EXTEND THIS LIMIT.
9. *Return Policy.* Except as otherwise provided, TI does not offer any refunds, returns, or exchanges. Furthermore, no return of EVM(s) will be accepted if the package has been opened and no return of the EVM(s) will be accepted if they are damaged or otherwise not in a resalable condition. If User feels it has been incorrectly charged for the EVM(s) it ordered or that delivery violates the applicable order, User should contact TI. All refunds will be made in full within thirty (30) working days from the return of the components(s), excluding any postage or packaging costs.
10. *Governing Law:* These terms and conditions shall be governed by and interpreted in accordance with the laws of the State of Texas, without reference to conflict-of-laws principles. User agrees that non-exclusive jurisdiction for any dispute arising out of or relating to these terms and conditions lies within courts located in the State of Texas and consents to venue in Dallas County, Texas. Notwithstanding the foregoing, any judgment may be enforced in any United States or foreign court, and TI may seek injunctive relief in any United States or foreign court.

Mailing Address: Texas Instruments, Post Office Box 655303, Dallas, Texas 75265
Copyright © 2015, Texas Instruments Incorporated

IMPORTANT NOTICE

Texas Instruments Incorporated and its subsidiaries (TI) reserve the right to make corrections, enhancements, improvements and other changes to its semiconductor products and services per JESD46, latest issue, and to discontinue any product or service per JESD48, latest issue. Buyers should obtain the latest relevant information before placing orders and should verify that such information is current and complete. All semiconductor products (also referred to herein as "components") are sold subject to TI's terms and conditions of sale supplied at the time of order acknowledgment.

TI warrants performance of its components to the specifications applicable at the time of sale, in accordance with the warranty in TI's terms and conditions of sale of semiconductor products. Testing and other quality control techniques are used to the extent TI deems necessary to support this warranty. Except where mandated by applicable law, testing of all parameters of each component is not necessarily performed.

TI assumes no liability for applications assistance or the design of Buyers' products. Buyers are responsible for their products and applications using TI components. To minimize the risks associated with Buyers' products and applications, Buyers should provide adequate design and operating safeguards.

TI does not warrant or represent that any license, either express or implied, is granted under any patent right, copyright, mask work right, or other intellectual property right relating to any combination, machine, or process in which TI components or services are used. Information published by TI regarding third-party products or services does not constitute a license to use such products or services or a warranty or endorsement thereof. Use of such information may require a license from a third party under the patents or other intellectual property of the third party, or a license from TI under the patents or other intellectual property of TI.

Reproduction of significant portions of TI information in TI data books or data sheets is permissible only if reproduction is without alteration and is accompanied by all associated warranties, conditions, limitations, and notices. TI is not responsible or liable for such altered documentation. Information of third parties may be subject to additional restrictions.

Resale of TI components or services with statements different from or beyond the parameters stated by TI for that component or service voids all express and any implied warranties for the associated TI component or service and is an unfair and deceptive business practice. TI is not responsible or liable for any such statements.

Buyer acknowledges and agrees that it is solely responsible for compliance with all legal, regulatory and safety-related requirements concerning its products, and any use of TI components in its applications, notwithstanding any applications-related information or support that may be provided by TI. Buyer represents and agrees that it has all the necessary expertise to create and implement safeguards which anticipate dangerous consequences of failures, monitor failures and their consequences, lessen the likelihood of failures that might cause harm and take appropriate remedial actions. Buyer will fully indemnify TI and its representatives against any damages arising out of the use of any TI components in safety-critical applications.

In some cases, TI components may be promoted specifically to facilitate safety-related applications. With such components, TI's goal is to help enable customers to design and create their own end-product solutions that meet applicable functional safety standards and requirements. Nonetheless, such components are subject to these terms.

No TI components are authorized for use in FDA Class III (or similar life-critical medical equipment) unless authorized officers of the parties have executed a special agreement specifically governing such use.

Only those TI components which TI has specifically designated as military grade or "enhanced plastic" are designed and intended for use in military/aerospace applications or environments. Buyer acknowledges and agrees that any military or aerospace use of TI components which have **not** been so designated is solely at the Buyer's risk, and that Buyer is solely responsible for compliance with all legal and regulatory requirements in connection with such use.

TI has specifically designated certain components as meeting ISO/TS16949 requirements, mainly for automotive use. In any case of use of non-designated products, TI will not be responsible for any failure to meet ISO/TS16949.

Products

Audio	www.ti.com/audio
Amplifiers	amplifier.ti.com
Data Converters	dataconverter.ti.com
DLP® Products	www.dlp.com
DSP	dsp.ti.com
Clocks and Timers	www.ti.com/clocks
Interface	interface.ti.com
Logic	logic.ti.com
Power Mgmt	power.ti.com
Microcontrollers	microcontroller.ti.com
RFID	www.ti-rfid.com
OMAP Applications Processors	www.ti.com/omap
Wireless Connectivity	www.ti.com/wirelessconnectivity

Applications

Automotive and Transportation	www.ti.com/automotive
Communications and Telecom	www.ti.com/communications
Computers and Peripherals	www.ti.com/computers
Consumer Electronics	www.ti.com/consumer-apps
Energy and Lighting	www.ti.com/energy
Industrial	www.ti.com/industrial
Medical	www.ti.com/medical
Security	www.ti.com/security
Space, Avionics and Defense	www.ti.com/space-avionics-defense
Video and Imaging	www.ti.com/video

TI E2E Community

e2e.ti.com