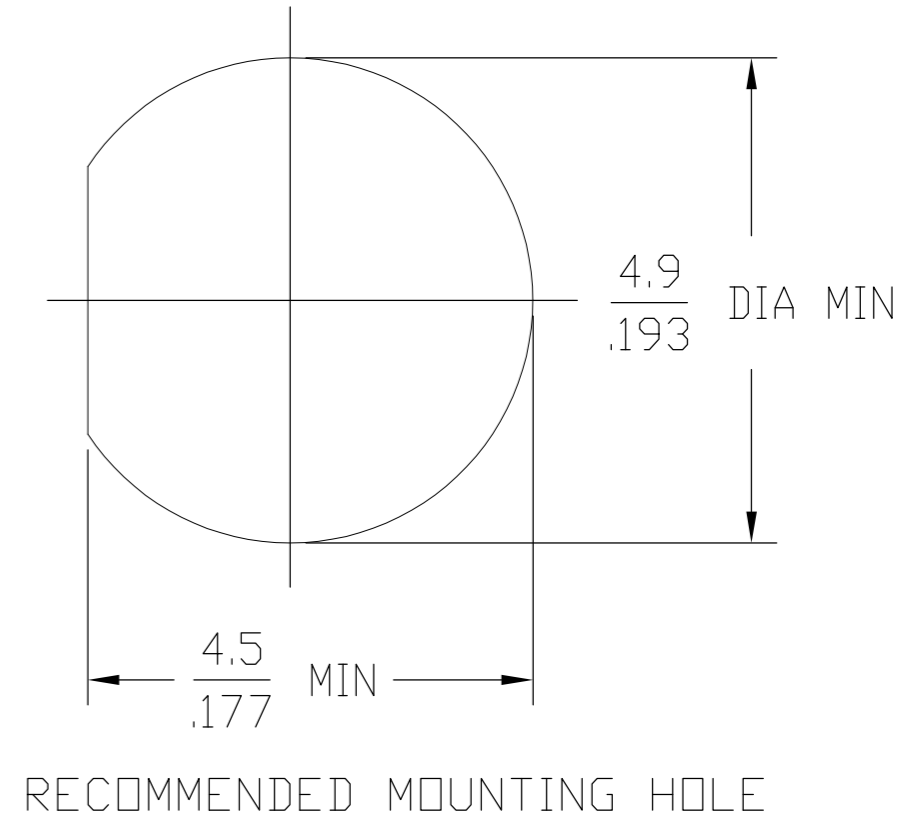
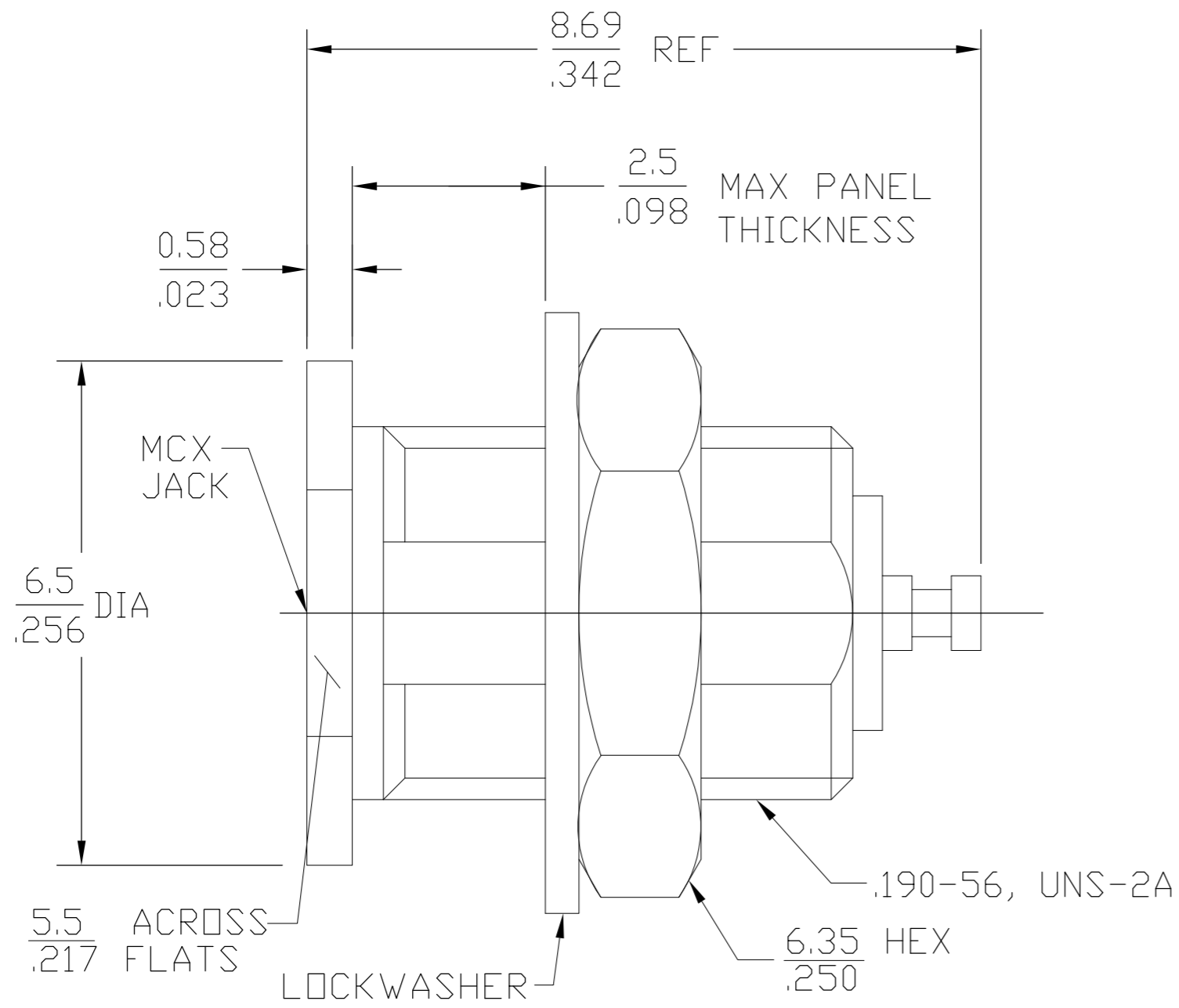


THIS DRAWING IS UNPUBLISHED. RELEASED FOR PUBLICATION
 © COPYRIGHT BY TYCO ELECTRONICS CORPORATION. ALL RIGHTS RESERVED.

LOC	DIST	REVISIONS					
AJ	00	P	LTR	DESCRIPTION	DATE	DWN	APVD
		B		REV PER ECO 07-027471	1/16/2008	DW	JL



1060960-1
 PART NUMBER

ELECTRICAL	MECHANICAL	ENVIRONMENTAL
Nominal Impedance (Ohms) 50	Force to Engage: (Lbs) 3.4 MAX	TEMPERATURE RATING -65° TO +165°C
Frequency Range (GHz) DC to 6	& Disengage: (Lbs) 1.77 MIN - 4.5 MAX	Vibration MIL-STD-202, Method 204, Condition B
Volt Rating (VRMS MAX) @ Sea Level 335	Center Contact Captivation Designed to Maintain DSX Interface When Mating	Thermal Shock MIL-STD-202, Method 107, Condition B
VSWR N/A		Moisture Resistance MIL-STD-202, Method 106
Insertion Loss N/A		Corrosion - MIL-STD-202, Method 101, Condition B, 48 HRS
Corona, 70,000 Ft (VRMS MIN) 250		
Dielectric Withstanding Voltage (VRMS MIN) @ Sea Level 1000		
Contact Resistance (Milliohms MAX) Center Contact 5.0		
Outer Contact 1.0		
RF High Potential @ Sea Level (VRMS MIN @ 5 MHz) 670		
I.R.(Megohms MIN) 10,000		

XX.X = mm
 .XXX = in

COMPONENT	MATERIAL	FINISH
HOUSING MOUNTING NUT	BRASS PER ASTM-B-16, HALF HARD	NICKEL PLATE PER QQ-N-290
DIELECTRIC	TFE FLUOROCARBON PER ASTM-D-1457	N/A
CENTER CONTACT	BERYLLIUM COPPER PER ASTM B 196, ALLOY C17300, CONDITION H	GOLD PLATE PER MIL-G-45204
LOCKWASHER	PHOSPHOR BRONZE PER QQ-B-750, GRADE B2 OR TIN BRASS PER ASTM-B-591	NICKEL PLATE PER QQ-N-290

THIS DRAWING IS A CONTROLLED DOCUMENT.		DWN 8/22/94	Tyco Electronics Corporation Harrisburg, PA 17105-3608	
DIMENSIONS: mm [INCHES]		M.M	NAME MCX FRONT MOUNT BULKHEAD FEEDTHRU JACK RECEPTACLE SOLDER TERMINAL (5858-0000-10)	
TOLERANCES UNLESS OTHERWISE SPECIFIED:		CHK -	SIZE A2	
0 PLC ± -	1 PLC ± -	APVD -	CAGE CODE 00779	DRAWING NO C=1060960-1
2 PLC ± 0.13	3 PLC ± -	PRODUCT SPEC -	RESTRICTED TO -	
4 PLC ± -	ANGLES ± 1°	APPLICATION SPEC -	SCALE 10:1 SHEET 1 of 1 REV B	
MATERIAL -	FINISH -	WEIGHT -	CUSTOMER DRAWING	