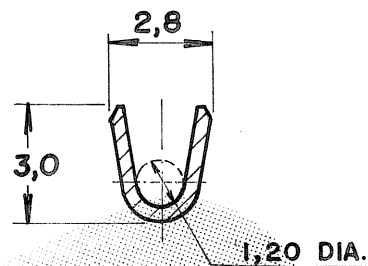
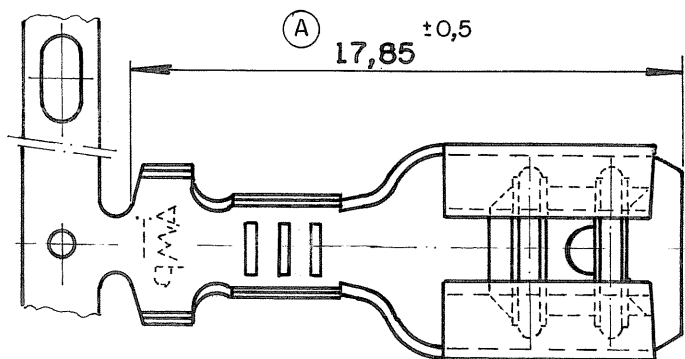


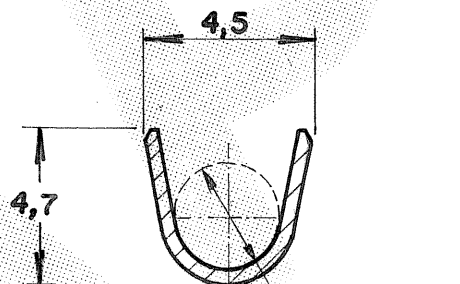
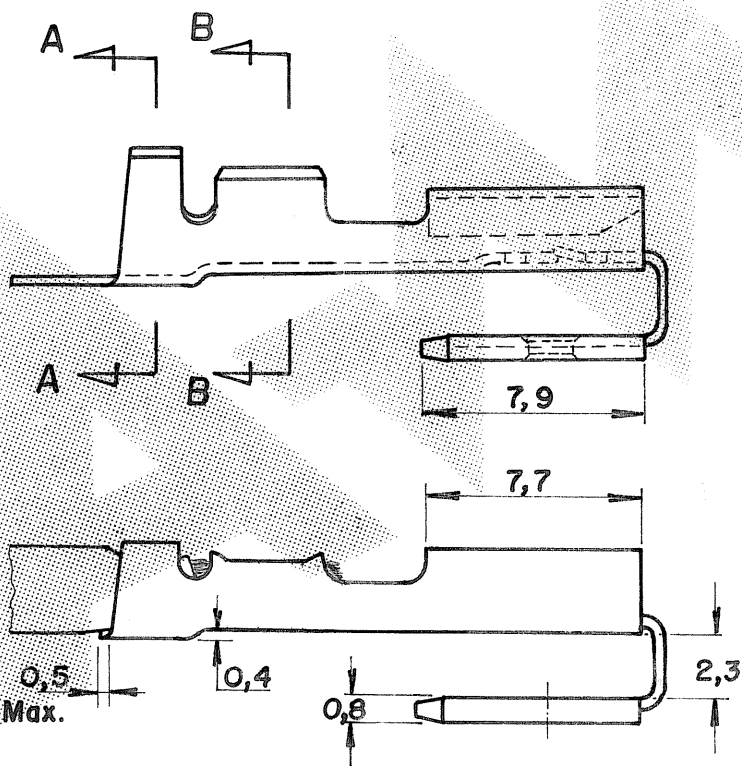
DO NOT SCALE  
DIMENSIONS IN MM.

METRIC

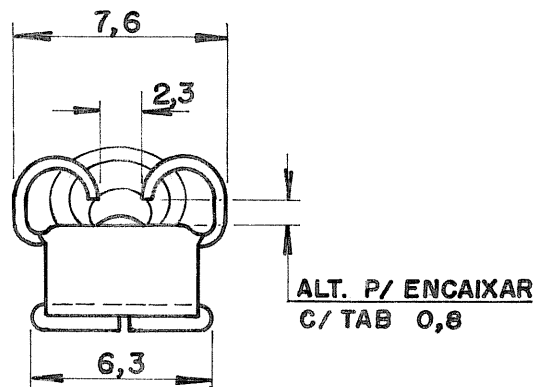
3rd ANGLE PROJECTION



SECTION B - B



SECTION A - A



ALT. P/ ENCAIXAR  
C/ TAB 0,8

~~OBSOLETE~~  
~~OBSOLETE~~

ESTANHADO  
ESTANHADO

BRONZE FOSFOROSO  
LATAO  
LATAO

880682

OTHER TREATMENT

FINISH

MATERIAL

PART NUMBER

CUSTOMER DWG  
for REFERENCE ONLY

THIS DRAWING IS UNPUBLISHED RELEASED FOR PUBLICATION 19  
© COPYRIGHT 19 BY AMP DO BRASIL LTDA S.P. ALL INTERNATIONAL RIGHTS RESERVED. AMP PRODUCTS MAY BE COVERED BY U.S. AND FOREIGN PATENTS AND/OR PATENTS PENDING

TOLERANCES UNLESS OTHERWISE STATED  
DEC. ± 0,3  
ANGLES ± 1°

INS. DIA. RANGE WIRE RANGE 2 SCALE  
DIA. 2,0-3,3mm 0,5-1,0mm —//—

Tyco Electronics TYCO ELECTRONICS DO BRASIL LTDA.  
São Paulo - Brasil

Dr. 31-07-90  
DOURIVAL A. ROCHA

DESCRIPTION .250 SERIES PIGGY  
BACK FASTON REC.

B2	Rev. By Eco 09.021397	H.C.	WLS.	18 SEP 09	CHK.	18 SEP 09
B	DASH 3 ADDED EC 05988	NCL	PLF	18 FEB 98	CHK.	18 FEB 98
A	ERA 19,55	MR.Briz	JZ	20 NOV 90	DE.	
O	ERA P90-29135	DORI		21-3-98	APP.	
ISS	REVISION RECORD	DR	CHK	DATE	APP.	

APP. *[Signature]* 28 SEP 90

DWG NO A4 C 880682 SHEET 1 OF 1