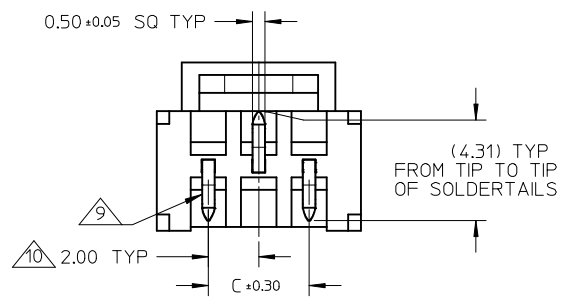
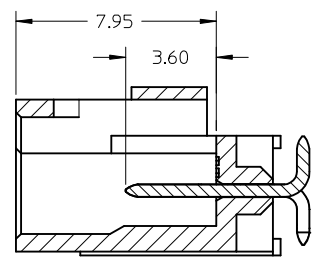
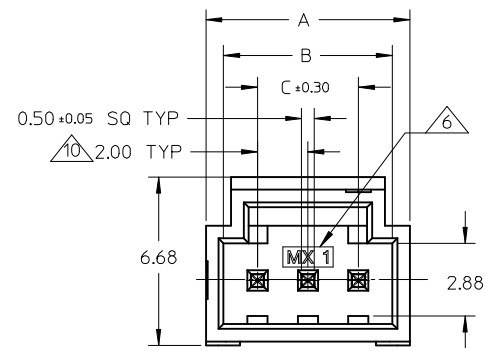
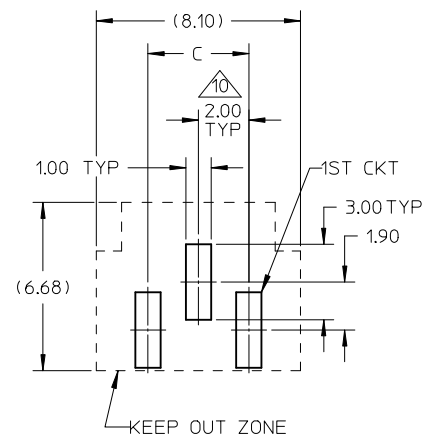
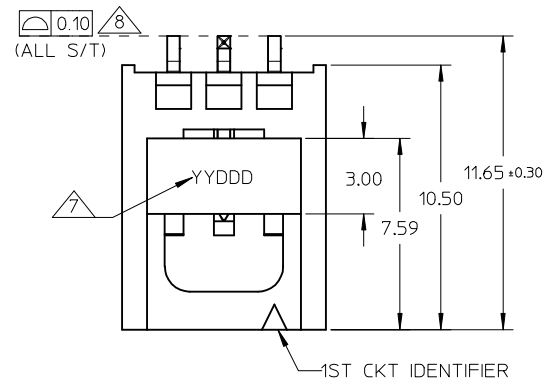


CKT SIZE	DIMENSION				
	A	B	C	D	E
2	6.10	4.70	2.00	7.60	6.40
3	8.10	6.70	4.00	9.60	8.40
4	10.10	8.70	6.00	11.60	10.40
5	12.10	10.70	8.00	13.60	12.40
6	14.10	12.70	10.00	15.60	14.40
7	16.10	14.70	12.00	17.60	16.40
8	18.10	16.70	14.00	19.60	18.40
9	20.10	18.70	16.00	21.60	20.40
10	22.10	20.70	18.00	23.60	22.40

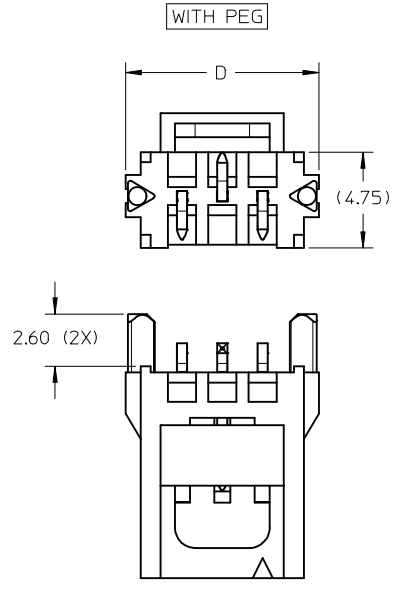
RECOMMENDED PCB LAYOUT
 GENERAL TOLERANCE: ±0.05
 (APPLICABLE FROM 4CKT AND ABOVE)



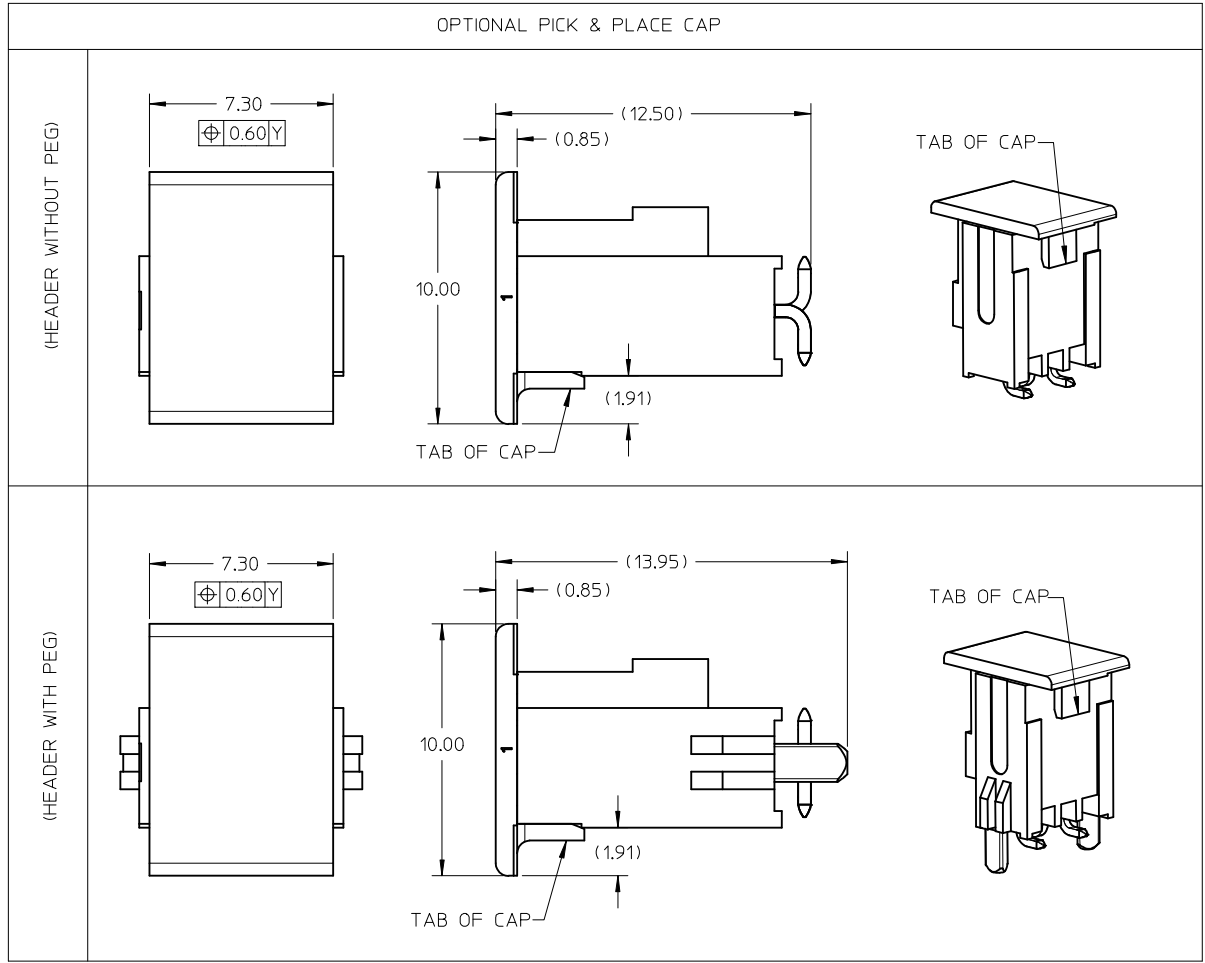
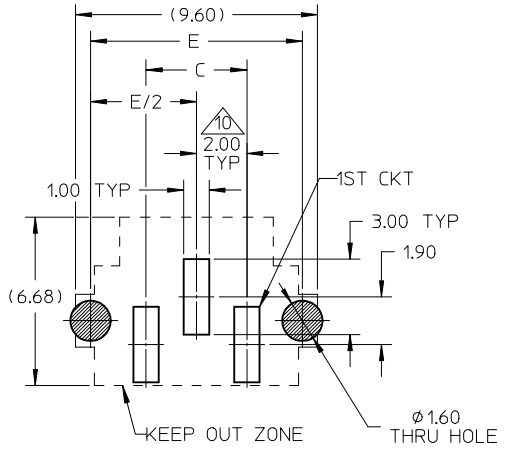
- NOTES:
- MATERIAL:
 HOUSING: LIQUID CRYSTALLINE POLYMERS (LCP), GLASS FILLED, UL94V-0, BLACK.
 PIN: COPPER ALLOY, 0.50MM SQ
 PICK & PLACE CAP: POLYAMIDE (PA), GLASS FILLED, UL94V-0, BLACK.
 - PLATING: SEE TABLE.
 - PRODUCT SPECIFICATION: PS-151062-0001.
 - PACKAGING SPECIFICATION: PK-151062-0001.
 - TO BE MATED WITH MOLEX RECEPTACLES SERIES: 151100.

- MANUFACTURING ID & CAVITY ID SHALL BE LOCATED APPROXIMATELY AS SHOWN.
- DATE CODE: YYDDD IS LOCATED APPROXIMATELY AS SHOWN.
- COPLANARITY TO BE MEASURED BY RESTING THE SOLDER TAIL ON FLAT/GAUGE SURFACE.
- 1ST CKT PIN S/T ALWAYS BENT IN THIS DIRECTION. OTHER PINS TAILS BENDS ALTERNATE FROM 1ST CKT.
- PITCH TOLERANCE SHALL BE NON ACCUMULATED.

RELEASE TO REV A EC NO: S2016-0665 DRWN:FCS00 2016/01/27 CHKD:CGOH 2016/02/16 APPR:KHLIM 2016/02/16	QUALITY SYMBOLS $F_A=0$ $F_G=0$ $F_P=0$	GENERAL TOLERANCES (UNLESS SPECIFIED)		DIMENSION STYLE MM ONLY		SCALE NTS	DESIGN UNITS METRIC	THIRD ANGLE PROJECTION		
		mm	INCH	DRAWN BY	DATE	TITLE				
		4 PLACES ± --- ± ---	FCS00	2014/12/12	SALES DRAWING					
		3 PLACES ± --- ± ---	CHECKED BY	DATE	PCB HEADER, VERTICAL SMT					
2 PLACES ± 0.20 ± ---	FCS00	2014/12/12	SINGLE ROW MILLIGRID							
1 PLACE ± --- ± ---	APPROVED BY	DATE	molex							
0 PLACE ± --- ± ---	KHLIM	2015/07/02	DOCUMENT NO. SD-151062-0001							
ANGULAR ± 3 °		MATERIAL NO.		SEE TABLE		SHEET NO. 1 OF 3		THIS DRAWING CONTAINS INFORMATION THAT IS PROPRIETARY TO MOLEX INCORPORATED AND SHOULD NOT BE USED WITHOUT WRITTEN PERMISSION		
DRAFT WHERE APPLICABLE MUST REMAIN WITHIN DIMENSIONS		SIZE A3								



RECOMMENDED PCB LAYOUT
GENERAL TOLERANCE: ±0.05



RELEASE TO REV A EC NO: S2016-0665 DRWN:FCS00 2016/01/27 CHKD:CGOH 2016/02/16 APPR:KHLIM 2016/02/16	QUALITY SYMBOLS $F_A=0$ $F_G=0$ $F_P=0$	GENERAL TOLERANCES (UNLESS SPECIFIED)		DIMENSION STYLE MM ONLY		SCALE NTS	DESIGN UNITS METRIC	THIRD ANGLE PROJECTION	
		4 PLACES ± --- ± ---	3 PLACES ± --- ± ---	DRAWN BY FCS00	DATE 2014/12/12	TITLE SALES DRAWING PCB HEADER, VERTICAL SMT SINGLE ROW MILLIGRID			
		2 PLACES ± 0.20 ± ---	1 PLACE ± --- ± ---	CHECKED BY FCS00	DATE 2014/12/12	APPROVED BY DATE 2015/07/02			
		0 PLACE ± --- ± ---	ANGULAR ± 3 °		MATERIAL NO.	DOCUMENT NO.			
DRAFT WHERE APPLICABLE MUST REMAIN WITHIN DIMENSIONS	SEE TABLE		THIS DRAWING CONTAINS INFORMATION THAT IS PROPRIETARY TO MOLEX INCORPORATED AND SHOULD NOT BE USED WITHOUT WRITTEN PERMISSION		SD-151062-0001		SHEET NO. 2 OF 3		

ASSEMBLY

151062 - X X X X


04 - 10	4-10 CKT W/O PEG
52 - 60	2-10 CKT WITH PEG
	52 = 2CKT
	53 = 3CKT
	.
	59 = 9CKT
	60 = 10CKT

PLATING		CAP VERSION
0	FULL TIN	WITHOUT CAP
1	Au FLASH	
2	0.38 Au	
3	0.75 Au	
4	FULL TIN	WITH CAP
5	Au FLASH	
6	0.38 Au	
7	0.75 Au	
8	OTHER OPTIONS	
9		

PACKAGING	
0	TAPE & REEL
1	TUBE
	OTHER OPTIONS

PLATING OPTIONS	
-x0** & -x4**	2.50µm MIN. TIN ON CONTACT AND 2.00µm MIN. TIN (MATTE) ON SOLDERTAIL OVER 1.25µm MIN. NICKEL OVERALL.
-x1** & -x5**	0.05µm MIN. GOLD PLATE ON CONTACT AND 2.00µm MIN. TIN (MATTE) ON SOLDERTAIL OVER 1.25µm MIN. NICKEL OVERALL.
-x2** & -x6**	0.38µm MIN. GOLD PLATE ON CONTACT AND 2.00µm MIN. TIN (MATTE) ON SOLDERTAIL OVER 1.25µm MIN. NICKEL OVERALL.
-x3** & -x7**	0.75µm MIN. GOLD PLATE ON CONTACT AND 2.00µm MIN. TIN (MATTE) ON SOLDERTAIL OVER 1.25µm MIN. NICKEL OVERALL.

PACKAGING OPTION AND CAP	
TAPE & REEL	151000-4***
PACKAGING TUBE	151000-3015 (WITHOUT CAP) 151000-3018 (WITH CAP)
CAP	151088-0001

RELEASE TO REV A EC NO: S2016-0665 DRWN:FCS00 2016/01/27 CHKD:CGOH 2016/02/16 APPR:KHLIM 2016/02/16	REV DESCRIPTION A	QUALITY SYMBOLS	$\nabla_A = 0$ $\nabla_C = 0$ $\nabla_P = 0$	GENERAL TOLERANCES (UNLESS SPECIFIED)	mm INCH 4 PLACES ± --- ± --- 3 PLACES ± --- ± --- 2 PLACES ± 0.20 ± --- 1 PLACE ± --- ± --- 0 PLACE ± --- ± ---	DIMENSION STYLE	MM ONLY	SCALE	NTS	DESIGN UNITS	METRIC	THIRD ANGLE PROJECTION		
		DRAFT WHERE APPLICABLE MUST REMAIN WITHIN DIMENSIONS	ANGULAR ± 3 °	DRAWN BY	FCS00	DATE	2014/12/12	TITLE	SALES DRAWING PCB HEADER, VERTICAL SMT SINGLE ROW MILLIGRID					
				CHECKED BY	FCS00	DATE	2014/12/12	APPROVED BY	KHLIM	DATE	2015/07/02			
				MATERIAL NO.	SEE TABLE		DOCUMENT NO.	SD-151062-0001	SHEET NO.	3 OF 3				