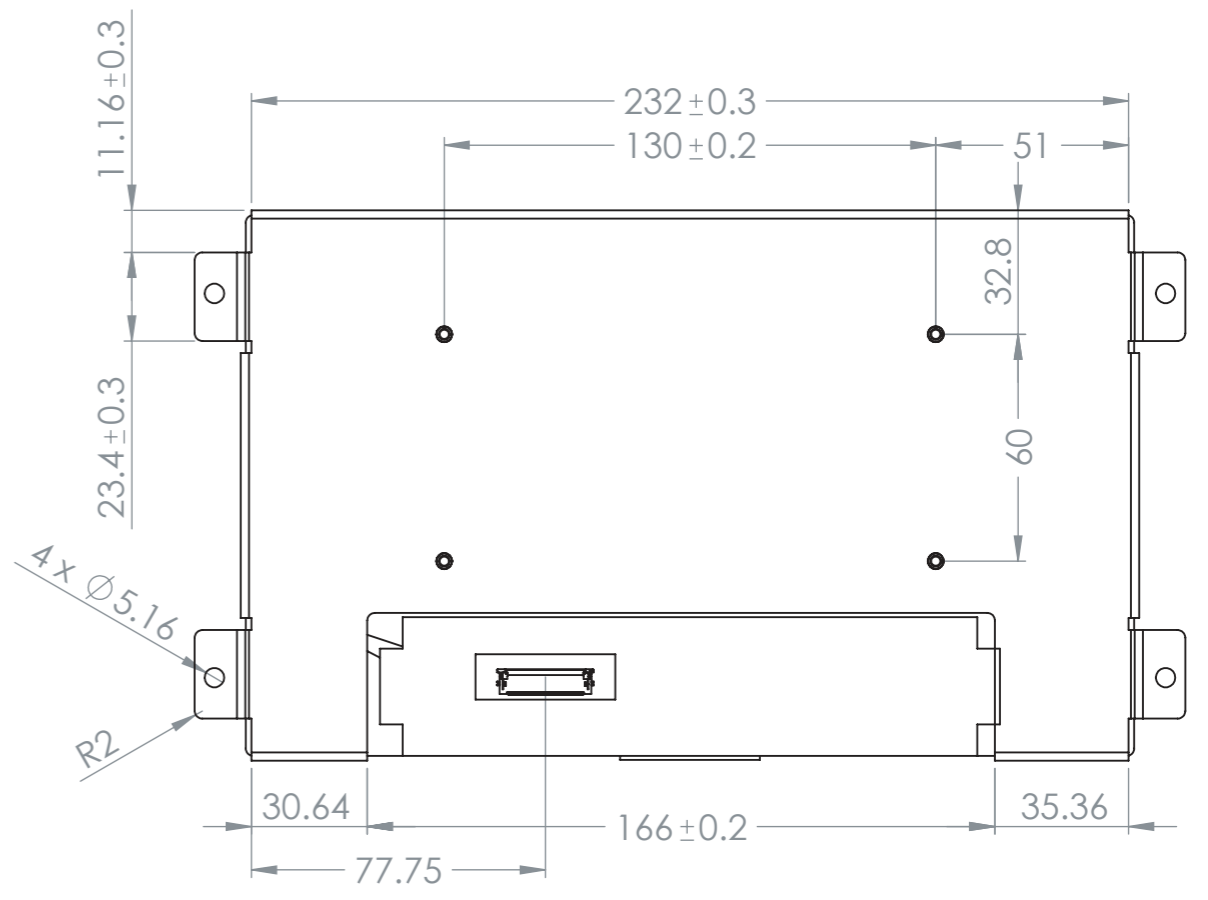


Detail: A
1:1
Part# BS04-M3-6 or Equivalent

- NOTES (Mounting Bracket):
1. MATERIAL: SGLCC
 2. THICKNESS: 1.2mm
 3. 4x Mounting Holes, compatible with Rack Unit (RU) spacing
 4. 4x Blind Threaded Standoffs (M3) on back side, suitable for Custom PCB assembly

SYMBOL	REVISION	DATE



This drawing is for mechanical mounting information only. Detailed display specifications can be viewed by downloading the full datasheet for the 10.1" TFT, accessible by the link below:

<http://www.newhavendisplay.com/specs/NHD-10.1-1024600AF-LSXV.pdf>

STANDARD TOLERANCES (UNLESS OTHERWISE SPECIFIED)			
	LINEAR: ±0.3 mm	DRAWING/PART NUMBER: NHD-10.1-1024600MB-xxxx	
UNLESS OTHERWISE SPECIFIED - DIMENSIONS ARE IN MILLIMETERS - THIRD ANGLE PROJECTION	DRAWN BY: N. Patel	CHECKED BY: M. LaVine	APPROVED BY: M. LaVine
	DRAWN DATE: 11/15/17	CHECKED DATE: 11/15/17	APPROVED DATE: 11/15/17
DO NOT SCALE DRAWING			REVISION: 1.0 SIZE: A3 SCALE: 1:2 SHEET 1 OF 1
THIS DRAWING IS SOLELY THE PROPERTY OF NEWHAVEN DISPLAY INTERNATIONAL, INC. THE INFORMATION IT CONTAINS IS NOT TO BE DISCLOSED, REPRODUCED OR COPIED IN WHOLE OR PART WITHOUT WRITTEN APPROVAL FROM NEWHAVEN DISPLAY.			