

SACB-C-H180-4/ 8-15,0PUR SCO P - Connector hood



1422784

<https://www.phoenixcontact.com/us/products/1422784>

Please be informed that the data shown in this PDF document is generated from our online catalog. Please find the complete data in the user documentation. Our general terms of use for downloads are valid.



Connector hood, application: Sensor/actuator box, connection method: M12-SPEEDCON-socket Plastic, number of slots: 4, slot assignment: Double, status display: No; master cable connection: Pluggable screw connection 180°, PUR/PVC, cable length: 15 m, shielding: no

Commercial data

Item number	1422784
Packing unit	1 pc
Minimum order quantity	1 pc
Sales key	BF41
Product key	BF3CBG
GTIN	4055626314822
Weight per piece (including packing)	1,962.3 g
Weight per piece (excluding packing)	1,800 g
Customs tariff number	85444290
Country of origin	DE

1422784

<https://www.phoenixcontact.com/us/products/1422784>

Technical data

Notes

General	NOTE: Observe the permissible bending radii when laying conductors, since the degree of protection may be put in jeopardy if the bending forces are too high. Alleviate mechanical loads upstream of the connector, e.g. by using cable ties.
---------	--

Product properties

Product type	Connector hood with master cable
Application	Sensor/actuator box
Number of slots	4

Electrical properties

Nominal voltage U_N	120 V AC
	120 V DC
Rated current, total	10 A
Max. current carrying capacity per path	2 A
Current carrying capacity per slot	4 A

Connection data

Conductor connection

Connection method	Pluggable screw connection
Tightening torque, cover screw	1 Nm

Pin assignment

Slot/position = Wire color or connection	1 / 4 (A) = WH
	1 / 2 (B) = GYPK
	2 / 4 (A) = GN
	2 / 2 (B) = RDBU
	3 / 4 (A) = YE
	3 / 2 (B) = WHGN
	4 / 4 (A) = GY
	4 / 2 (B) = BNGN
	1-4 / 1 (+ 120 V) = BN
	1-4 / 3 (0 V) = BU
1-4 / 5 (PE) = GNYE	

Signaling

Status display present	No
------------------------	----

Dimensions

SACB-C-H180-4/ 8-15,0PUR SCO P - Connector hood



1422784

<https://www.phoenixcontact.com/us/products/1422784>

Dimensional drawing	
Width	54 mm
Height	25 mm
Length	34 mm

Material specifications

Material	PBT
Seal material	NBR
Material of contact, master cable side	CU alloy
Material of the contact carrier on the master cable side	PA
Material of contact surface, master cable side	Sn

Cable/line

Cable length	15 m
--------------	------

PUR/PVC black [PUR]

Dimensional drawing	
Cable weight	122 kg/km
UL AWM Style	20549
Number of positions	11
Shielded	no
Cable type	PUR/PVC black [PUR]
Conductor structure signal line	28x 0.15 mm
AWG signal line	20
Conductor cross section	8x 0.5 mm ² (Signal line) 3x 1 mm ² (power line)
Wire diameter incl. insulation	1.5 mm ±0.1 mm (Signal line) 2.1 mm ±0.1 mm (power line)
External cable diameter	8.7 mm ±0.2 mm
Outer sheath, material	PUR

SACB-C-H180-4/ 8-15,0PUR SCO P - Connector hood



1422784

<https://www.phoenixcontact.com/us/products/1422784>

External sheath, color	black RAL 9005
Conductor material	Bare Cu litz wires
Material wire insulation	PVC
Single wire, color	brown, blue, green/yellow, white, green, yellow, gray, gray/pink, red/blue, white/green, brown/green
Inner sheath thickness	≥ 0.15 mm
Thickness, outer sheath	≥ 0.38 mm
Overall twist	Wires twisted in layers
Nominal voltage, cable	300 V
Test voltage	2000 V
Minimum bending radius, fixed installation	7.5 x D
Minimum bending radius, flexible installation	10 x D
Max. bending cycles	1500000
Flame resistance	DIN EN 50265
Resistance to oil	according to VDE 0472 Part 803
Other resistance	Highly resistant to acids, alkaline solutions and solvents
Special properties	Silicone-free
Ambient temperature (operation)	-40 °C ... 90 °C (cable, fixed installation)
	-5 °C ... 80 °C (Cable, flexible installation)
	80 °C (in acc. with UL)

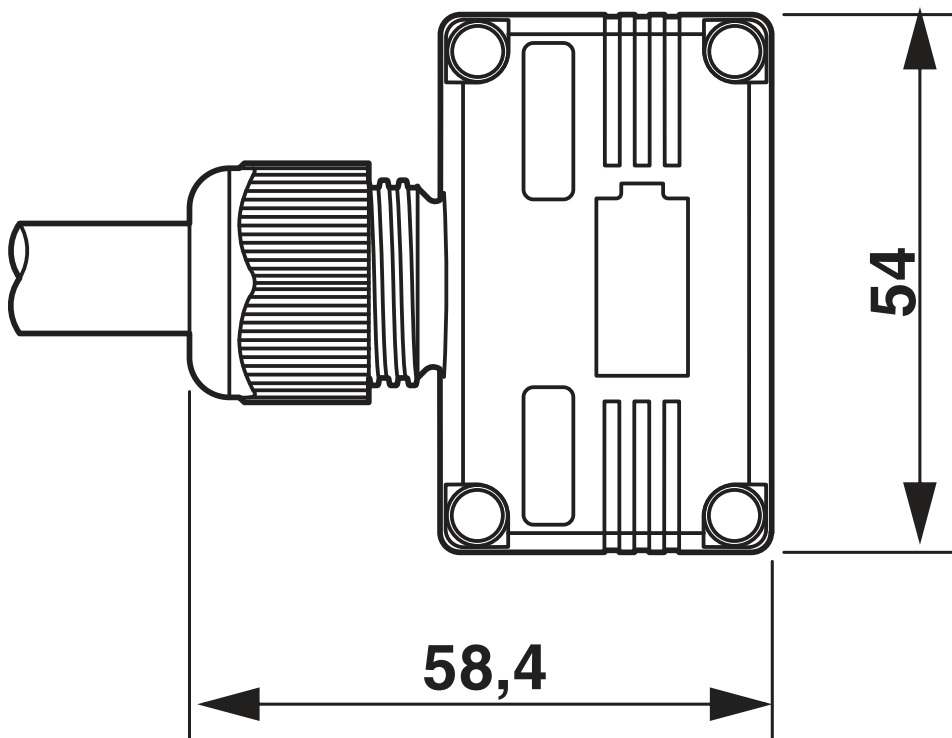
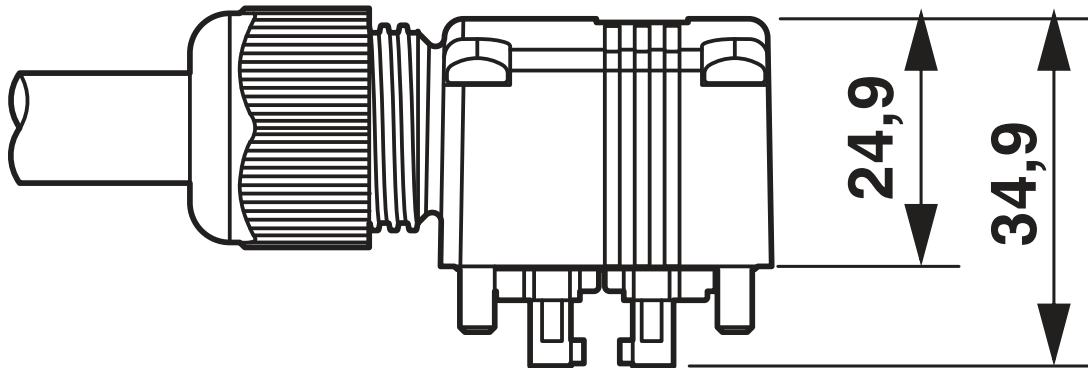
Environmental and real-life conditions

Ambient conditions

Degree of protection	IP65
	IP67
Ambient temperature (operation)	-25 °C ... 80 °C

Drawings

Dimensional drawing



SACB-C-H180-4/ 8-15,0PUR SCO P - Connector hood



1422784

<https://www.phoenixcontact.com/us/products/1422784>

Approvals

To download certificates, visit the product detail page: <https://www.phoenixcontact.com/us/products/1422784>



EAC

Approval ID: RU C-DE.BL08.B.00511

1422784

<https://www.phoenixcontact.com/us/products/1422784>

Classifications

ECLASS

ECLASS-11.0	27440108
ECLASS-12.0	27440108
ECLASS-13.0	27440108

ETIM

ETIM 8.0	EC002585
----------	----------

UNSPSC

UNSPSC 21.0	31251500
-------------	----------

1422784

<https://www.phoenixcontact.com/us/products/1422784>

Environmental product compliance

REACH SVHC	Lead 7439-92-1
China RoHS	Environmentally Friendly Use Period = 50 years
	For information on hazardous substances, refer to the manufacturer's declaration available under "Downloads"

SACB-C-H180-4/ 8-15,0PUR SCO P - Connector hood



1422784

<https://www.phoenixcontact.com/us/products/1422784>

Accessories

SACB-4/ 8-L-C GG SCO P - Sensor/actuator box header

1452877

<https://www.phoenixcontact.com/us/products/1452877>



Sensor/actuator box header, application: Standard, connection method: M12-SPEEDCON-socket Plastic, number of slots: 4, number of positions: 5, coding: A, slot assignment: Double, status display: Yes, pnp; master cable connection: Pluggable screw connection, shielding: no

SACB- 8X0,5/ 3X1,0-50,0 PUR - Master cable ring

1503357

<https://www.phoenixcontact.com/us/products/1503357>



Master cable for sensor/actuator boxes, with PE conductor, unshielded, material PUR/PVC, 11-pos., 8 x 0.50 mm² and 3 x 1.00 mm², length: 50 m

SACB-C-H180-4/ 8-15,0PUR SCO P - Connector hood



1422784

<https://www.phoenixcontact.com/us/products/1422784>

SACB-8X0,5/3X1,0-50,0 HPUR - Master cable ring

1401690

<https://www.phoenixcontact.com/us/products/1401690>



Master cable ring, application: Distributor boxes, number of positions: 11, cable length: 50 m

SZK PZ2 VDE - Screwdriver

1206463

<https://www.phoenixcontact.com/us/products/1206463>



Screwdriver, PZ crosshead, VDE insulated, size: PZ 2 x 100 mm, 2-component grip, with non-slip grip

SACB-C-H180-4/ 8-15,0PUR SCO P - Connector hood



1422784

<https://www.phoenixcontact.com/us/products/1422784>

TSD 25 SAC - Torque screwdriver

1212315

<https://www.phoenixcontact.com/us/products/1212315>



Torque screwdriver, with preset torque of 2.5 Nm and 4 mm hexagonal drive for the pressure nut of the connector hood

TSD-M 1,2NM - Torque screwdriver

1212224

<https://www.phoenixcontact.com/us/products/1212224>



Torque screw driver, accuracy as per EN ISO 6789 standard, adjustable from 0.3 - 1.2 Nm

SACB-C-H180-4/ 8-15,0PUR SCO P - Connector hood



1422784

<https://www.phoenixcontact.com/us/products/1422784>

TSD-M 3NM - Torque screwdriver

1212225

<https://www.phoenixcontact.com/us/products/1212225>



Torque screw driver, accuracy as per EN ISO 6789 standard, adjustable from 1.2 - 3 Nm

SAC BIT HOOD-W 24 - Tool

1212486

<https://www.phoenixcontact.com/us/products/1212486>



Nut for assembling pressure nuts with 24 mm wrench size, for 4 mm hexagonal drive

SACB-C-H180-4/ 8-15,0PUR SCO P - Connector hood



1422784

<https://www.phoenixcontact.com/us/products/1422784>

TSD-M SAC-BIT ADAPTER - Adapter insert

1212600

<https://www.phoenixcontact.com/us/products/1212600>



Adapter bit for TSD-M...torque tools, E6.3-1/4" drive with 4 mm hexagon to accommodate SAC bits

SF-BIT-PZ 2-50 - Screw insert

1212592

<https://www.phoenixcontact.com/us/products/1212592>



Screw bit, PZ crosshead, E6.3-1/4" drive, size: PZ 2 x 50 mm, hardened, suitable for holder according to DIN 3126-F6.3/ISO 1173

SACB-C-H180-4/ 8-15,0PUR SCO P - Connector hood



1422784

<https://www.phoenixcontact.com/us/products/1422784>

UC-EM (17,5X9) - Snap-in markers

0827490

<https://www.phoenixcontact.com/us/products/0827490>



Snap-in markers, Sheet, white, unlabeled, can be labeled with: BLUEMARK ID, BLUEMARK ID COLOR, BLUEMARK CLED, BLUEMARK LED, CMS-P1-PLOTTER, PLOTMARK, mounting type: snapped, lettering field size: 17.5 x 9 mm, Number of individual labels: 20

UC-EM (17,5X9) CUS - Snap-in markers

0828238

<https://www.phoenixcontact.com/us/products/0828238>



Snap-in markers, can be ordered: by sheet, white, labeled according to customer specifications, mounting type: snapped into marker carrier, lettering field size: 17.5 x 9 mm, Number of individual labels: 20

SACB-C-H180-4/ 8-15,0PUR SCO P - Connector hood



1422784

<https://www.phoenixcontact.com/us/products/1422784>

UCT-EM (17,5X9) - Snap-in markers

0801491

<https://www.phoenixcontact.com/us/products/0801491>



Snap-in markers, Sheet, white, unlabeled, can be labeled with: TOPMARK NEO, TOPMARK LASER, BLUEMARK ID COLOR, BLUEMARK ID, BLUEMARK CLED, THERMOMARK PRIME, THERMOMARK CARD 2.0, THERMOMARK CARD, mounting type: snapped, lettering field size: 17.5 x 9 mm, Number of individual labels: 24

UCT-EM (17,5X9) CUS - Snap-in markers

0801575

<https://www.phoenixcontact.com/us/products/0801575>



UniCard sheet, for labeling devices from other manufacturers, for overview table see download area, labeled according to customer specifications

SACB-C-H180-4/ 8-15,0PUR SCO P - Connector hood



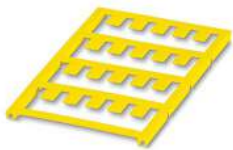
1422784

<https://www.phoenixcontact.com/us/products/1422784>

UC-EM (17,5X9) YE - Snap-in markers

0827494

<https://www.phoenixcontact.com/us/products/0827494>

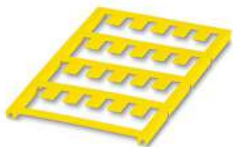


Snap-in markers, Sheet, yellow, unlabeled, can be labeled with: BLUEMARK ID COLOR, BLUEMARK ID, BLUEMARK CLED, PLOTMARK, CMS-P1-PLOTTER, mounting type: snapped, lettering field size: 17.5 x 9 mm, Number of individual labels: 20

UC-EM (17,5X9) YE CUS - Snap-in markers

0828239

<https://www.phoenixcontact.com/us/products/0828239>



Snap-in markers, can be ordered: by sheet, yellow, labeled according to customer specifications, mounting type: snapped into marker carrier, lettering field size: 17.5 x 9 mm, Number of individual labels: 20

SACB-C-H180-4/ 8-15,0PUR SCO P - Connector hood



1422784

<https://www.phoenixcontact.com/us/products/1422784>

UCT-EM (17,5X9) YE - Snap-in markers

0801492

<https://www.phoenixcontact.com/us/products/0801492>



Snap-in markers, Sheet, yellow, unlabeled, can be labeled with: TOPMARK NEO, TOPMARK LASER, BLUEMARK ID COLOR, BLUEMARK ID, BLUEMARK CLED, THERMOMARK PRIME, THERMOMARK CARD 2.0, THERMOMARK CARD, mounting type: snapped, lettering field size: 17.5 x 9 mm, Number of individual labels: 24

UCT-EM (17,5X9) YE CUS - Snap-in markers

0801576

<https://www.phoenixcontact.com/us/products/0801576>



UniCard sheet, for labeling devices from other manufacturers, for overview table see download area, labeled according to customer specifications

Phoenix Contact 2023 © - all rights reserved
<https://www.phoenixcontact.com>

Phoenix Contact USA
586 Fulling Mill Road
Middletown, PA 17057, United States
(+717) 944-1300
info@phoenixcon.com