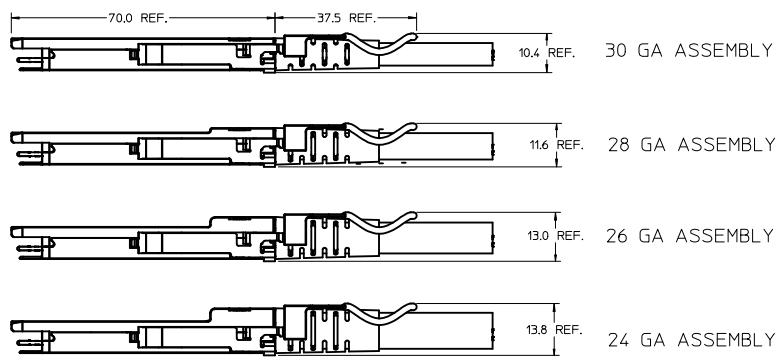


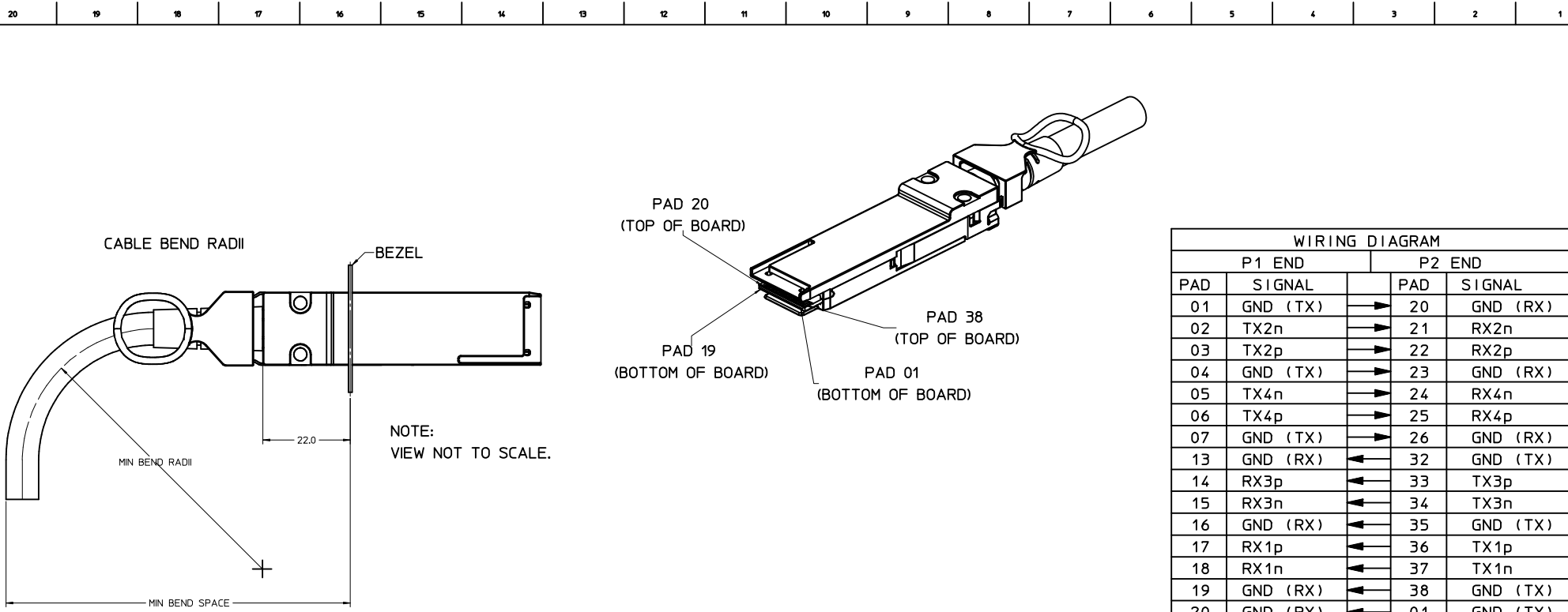
P/N: 74757-XXXX
 S/N: YDDLSSSS
 XM XXAWG
 * FOR CABLES UNDER 2 METERS,
 LABEL ON ONE END ONLY

YDDLSSSS
 Y--- YEAR, THE LAST DIGIT OF YEAR
 DDD---DAY OF THE YEAR
 L---LOCATION
 SSSS---SERIAL NO.



- NOTES:
- CABLE DISTANCE DEPENDS ON WIRE GAUGE, DATA RATE, AND HOST BOARD DRIVER CAPABILITIES
 - MATERIALS:
 BACKSHELLS - ZINC DIE CAST WITH BRIGHT NICKEL PLATING
 DELATCH - STAINLESS STEEL WITH OVERMOLDED NYLON
 PCB - FR4
 RIVETS - STAINLESS STEEL
 - IMPEDANCE - 100 OHMS DIFFERENTIAL
 - THIS PRODUCT MEETS THE RESTRICTION OF HAZARDOUS SUBSTANCES IN ELECTRICAL AND ELECTRONIC EQUIPMENT (RoHS) DIRECTIVE.

ENTER DESCRIPTION IEC NO: USY2010-0295 DRAWN BY: DRWNEZHANG01, LUY 2009/12/22 CHECKED BY: CHYKOC, BILL 2009/12/22 APPROVED BY: APPR:RMAHMOOD, 2009/12/22	QUALITY SYMBOLS 	GENERAL TOLERANCES (UNLESS SPECIFIED) mm INCH 4 PLACES ±--- ±--- 3 PLACES ±--- ±--- 2 PLACES ±--- ±--- 1 PLACE ±--- ±--- ANGULAR ±---°		DIMENSION STYLE MM ONLY DRAWN BY: CHIRSCHY, DATE: 2007/04/24 CHECKED BY: BRUSSELL, DATE: 2007/04/24 APPROVED BY: RMAHMOOD, DATE: 2007/04/24		SCALE --- DESIGN UNITS METRIC	THIRD ANGLE PROJECTION 	TITLE QSFP CABLE ASSEMBLY
	DRAFT WHERE APPLICABLE MUST REMAIN WITHIN DIMENSIONS		SEE TABLE		MOLEX INCORPORATED		DOCUMENT NO. SD-74757-0001	SHEET NO. 1 OF 4
	THIS DRAWING CONTAINS INFORMATION THAT IS PROPRIETARY TO MOLEX INCORPORATED AND SHOULD NOT BE USED WITHOUT WRITTEN PERMISSION							
	SIZE: 1:1							



CABLE AWG	OD (mm)	MIN BEND RADII (mm)	MIN BEND SPACE (mm)
24	9.5	48	74.75
26	8.25	42	68.12
28	7.0	35	60.5
30	6.0	30	55

LOW SPEED SIGNALS	
P1 & P2	
PAD	SIGNAL
08	ModSell
09	ResetL
10	VccRx
11	SCL
12	SDA
27	ModPrsL
28	IntL
29	VccTx
30	Vcc1
31	LPMode

WIRING DIAGRAM				
P1 END		P2 END		
PAD	SIGNAL		PAD	SIGNAL
01	GND (TX)	→	20	GND (RX)
02	TX2n	→	21	RX2n
03	TX2p	→	22	RX2p
04	GND (TX)	→	23	GND (RX)
05	TX4n	→	24	RX4n
06	TX4p	→	25	RX4p
07	GND (TX)	→	26	GND (RX)
13	GND (RX)	←	32	GND (TX)
14	RX3p	←	33	TX3p
15	RX3n	←	34	TX3n
16	GND (RX)	←	35	GND (TX)
17	RX1p	←	36	TX1p
18	RX1n	←	37	TX1n
19	GND (RX)	←	38	GND (TX)
20	GND (RX)	←	01	GND (TX)
21	RX2n	←	02	TX2n
22	RX2p	←	03	TX2p
23	GND (RX)	←	04	GND (TX)
24	RX4n	←	05	TX4n
25	RX4p	←	06	TX4p
26	GND (RX)	←	07	GND (TX)
32	GND (TX)	→	13	GND (RX)
33	TX3p	→	14	RX3p
34	TX3n	→	15	RX3n
35	GND (TX)	→	16	GND (RX)
36	TX1p	→	17	RX1p
37	TX1n	→	18	RX1n
38	GND (TX)	→	19	GND (RX)

NOTES:
1. DC BLOCKING CAPS ON RECEIVE SIDE ONLY

ENTER DESCRIPTION EC NO: USY2010-0295 DRAWN BY: CHIRSCHY CHECKED BY: BRUSSELL APPROVED BY: RMAHMOOD DATE: 2007/04/24 DATE: 2007/04/24 DATE: 2007/04/24	QUALITY SYMBOLS ▽=0 ▽=0	GENERAL TOLERANCES (UNLESS SPECIFIED) <table border="1"> <tr> <th></th> <th>mm</th> <th>INCH</th> </tr> <tr> <td>4 PLACES</td> <td>±---</td> <td>±---</td> </tr> <tr> <td>3 PLACES</td> <td>±---</td> <td>±---</td> </tr> <tr> <td>2 PLACES</td> <td>±---</td> <td>±---</td> </tr> <tr> <td>1 PLACE</td> <td>±---</td> <td>±---</td> </tr> </table> ANGULAR ±---°		mm	INCH	4 PLACES	±---	±---	3 PLACES	±---	±---	2 PLACES	±---	±---	1 PLACE	±---	±---	DIMENSION STYLE MM ONLY	SCALE ---	DESIGN UNITS METRIC	THIRD ANGLE PROJECTION
		mm	INCH																		
	4 PLACES	±---	±---																		
	3 PLACES	±---	±---																		
2 PLACES	±---	±---																			
1 PLACE	±---	±---																			
DESCRIPTION 4 PLACES ±--- ±--- 3 PLACES ±--- ±--- 2 PLACES ±--- ±--- 1 PLACE ±--- ±---	DRAWN BY CHIRSCHY	DATE 2007/04/24	TITLE QSFP CABLE ASSEMBLY	MOLEX INCORPORATED																	
DRAFT WHERE APPLICABLE MUST REMAIN WITHIN DIMENSIONS	APPROVED BY RMAHMOOD	DATE 2007/04/24	DOCUMENT NO. SD-74757-0001	SHEET NO. 2 OF 4	THIS DRAWING CONTAINS INFORMATION THAT IS PROPRIETARY TO MOLEX INCORPORATED AND SHOULD NOT BE USED WITHOUT WRITTEN PERMISSION																
SIZE 1	SEE TABLE	INCORPORATED AND SHOULD NOT BE USED WITHOUT WRITTEN PERMISSION																			

PART NUMBER	LENGTH (M)	AWG
74757-1031	0.3M ± 0.03	30
74757-1051	0.5M ± 0.03	30
74757-1061	0.6M ± 0.03	30
74757-1101	1M ± 0.05	30
74757-1201	2M ± 0.05	30
74757-1301	3M ± 0.05	30
74757-1501	5M ± 0.08	30
74757-1701	7M ± 0.08	30
74757-9001	10M ± 0.08	30
74757-2101	1M ± 0.05	28
74757-2201	2M ± 0.05	28
74757-2301	3M ± 0.05	28
74757-2501	5M ± 0.08	28
74757-2701	7M ± 0.08	28
74757-9005	10M ± 0.08	28
74757-3101	1M ± 0.05	26
74757-3201	2M ± 0.05	26
74757-3301	3M ± 0.05	26
74757-3501	5M ± 0.08	26
74757-3701	7M ± 0.08	26
74757-9003	10M ± 0.08	26
74757-4101	1M ± 0.05	24
74757-4201	2M ± 0.05	24
74757-4301	3M ± 0.05	24
74757-4501	5M ± 0.08	24
74757-4701	7M ± 0.08	24
74757-9004	10M ± 0.08	24
74757-9013	15M ± 0.12	24
74757-9014	20M ± 0.12	24

ENTER DESCRIPTION EC NO: USY2010-0295 G: DRW:WFZHANG01_JUST 2009/12/22 CHK:DC.BILL 2009/12/22 APPR:RAHMOOD 2009/12/22	QUALITY SYMBOLS =0 =0.05	GENERAL TOLERANCES (UNLESS SPECIFIED)		DIMENSION STYLE MM ONLY		SCALE —	DESIGN UNITS METRIC	THIRD ANGLE PROJECTION	
		4 PLACES ± --- ± ---	mm INCH	DRAWN BY CHIRSCHY	DATE 2007/04/24	TITLE QSFP CABLE ASSEMBLY			
		3 PLACES ± --- ± ---		CHECKED BY BRUSSELL	DATE 2007/04/24	MOLEX INCORPORATED			
		2 PLACES ± --- ± --- 1 PLACE ± --- ± ---		APPROVED BY RAHMOOD	DATE 2007/04/24	MATERIAL NO. SEE TABLE	DOCUMENT NO. SD-74757-0001	SHEET NO. 3 OF 4	
DRAFT WHERE APPLICABLE MUST REMAIN WITHIN DIMENSIONS		THIS DRAWING CONTAINS INFORMATION THAT IS PROPRIETARY TO MOLEX INCORPORATED AND SHOULD NOT BE USED WITHOUT WRITTEN PERMISSION							

DATE	REV	DESCRIPTION
2007/04/24	A	INITIAL RELEASE
2007/07/19	B	1. ADDED REVISION HISTORY
		2. ADDED SHEET 2 WITH PART NUMBER LIST AND PINOUT
		3. REWORDED NOTE 1 ON SHEET 1
		4. 11.6 REF DIMENSION WAS 11.5 REF, 13.0 REF DIMENSION WAS 12.9 REF, 13.8 REF DIMENSION WAS 13.7 REF
2007/11/26	C	1. DELETED 74757-9002 & ADDED 74757-9005 TO PART NUMBER LIST ON SHEET 2
		2. CHANGED SCALE OF SHEET 1 TO FROM 2:1 TO 1.5:1
		3. CHANGED TANGENT LINES ON SHEET 1 FROM DASHED LINES TO SOLID LINES
2008/02/29	D	1. REMOVED LABEL FROM QSFP BACKSHELLS
		2. ADDED CABLE LABEL TO EACH END OF CABLE ASSEMBLY
		3. DELETED ISO VIEW FROM SHEET 1
		4. ADDED LABEL DETAIL TO NOTES SECTION
2008/05/08	E	1. ADDED PICTURE OF LABEL DETAIL AND NOTE TO SHEET 1
		2. REMOVED LABEL DETAIL INFORMATION FROM NOTES SECTION
		3. ADDED LABEL PLACEMENT DIMENSION
		4. ADDED DC BLOCKING CAP NOTE TO SHEET 2
		5. ADDED 74757-9013 AND 74757-9014 TO P/N LIST
		6. UPDATED ALL VIEWS WITH NEW 'BOSS' TOPSHELLS
2009/10/20	F	1. ADDED CABLE BEND TABLE TO SHEET 2
		2. MOVED P/N CHART TO SHEET 3 AND REVISION HISTORY TO SHEET 4
		3. ADDED TEXTS 'P/N:' AND 'S/N:' ON LABEL
2009/12/11	G	1. ADDED NEW P/N 74757-1031 TO CHART ON SHEET 3.

ENTER DESCRIPTION EC NO: USY2010-0295 DRWNG: ZHANG01_USY 2009/12/22 CHKDC: BILL 2009/12/22 APPR: RMAHMOOD 2009/12/22	QUALITY SYMBOLS ▽=0 ▽=0	GENERAL TOLERANCES (UNLESS SPECIFIED) mm INCH 4 PLACES ±--- ±--- 3 PLACES ±--- ±--- 2 PLACES ±--- ±--- 1 PLACE ±--- ±--- ANGULAR ±---°	DIMENSION STYLE MM ONLY	SCALE ---	DESIGN UNITS METRIC	THIRD ANGLE PROJECTION	
	DRAWN BY CHIRSCHY	DATE 2007/04/24	TITLE QSFP CABLE ASSEMBLY				
	CHECKED BY BRUSSELL	DATE 2007/04/24					
	APPROVED BY RMAHMOOD	DATE 2007/04/24					
MATERIAL NO. SEE TABLE	DRAFT WHERE APPLICABLE MUST REMAIN WITHIN DIMENSIONS		SIZE 1	THIS DRAWING CONTAINS INFORMATION THAT IS PROPRIETARY TO MOLEX INCORPORATED AND SHOULD NOT BE USED WITHOUT WRITTEN PERMISSION			SHEET NO. 4 OF 4
			DOCUMENT NO. SD-74757-0001		MOLEX INCORPORATED		