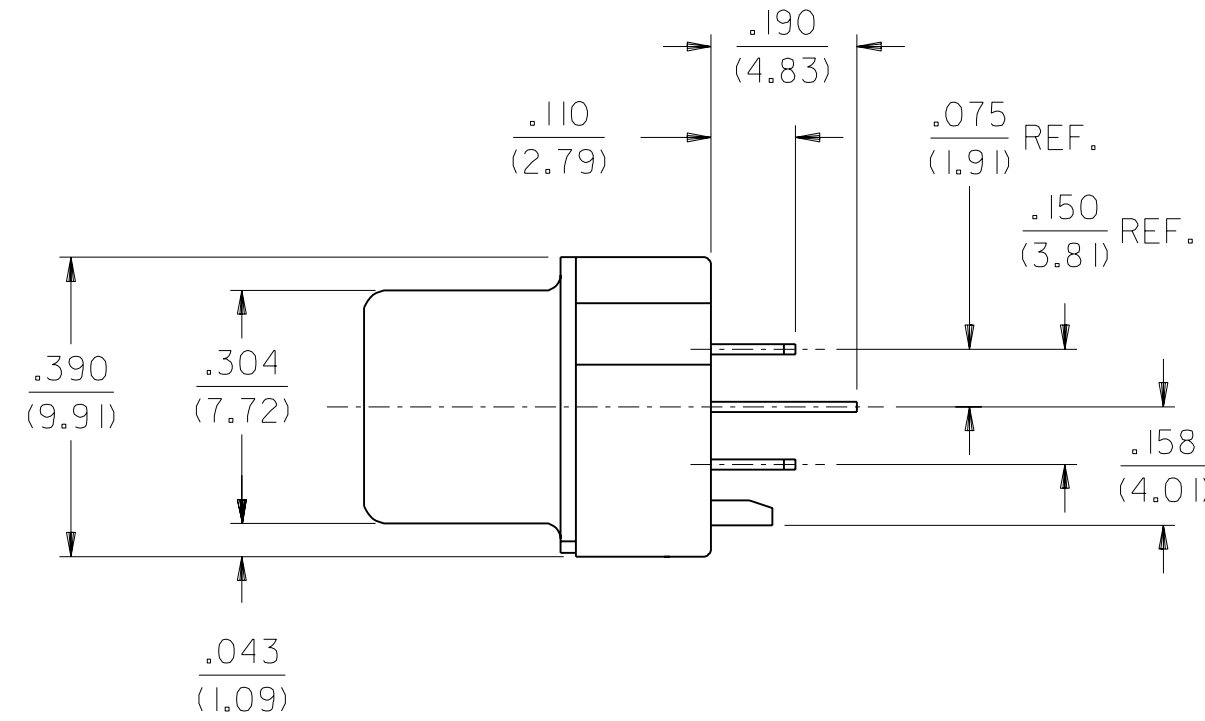
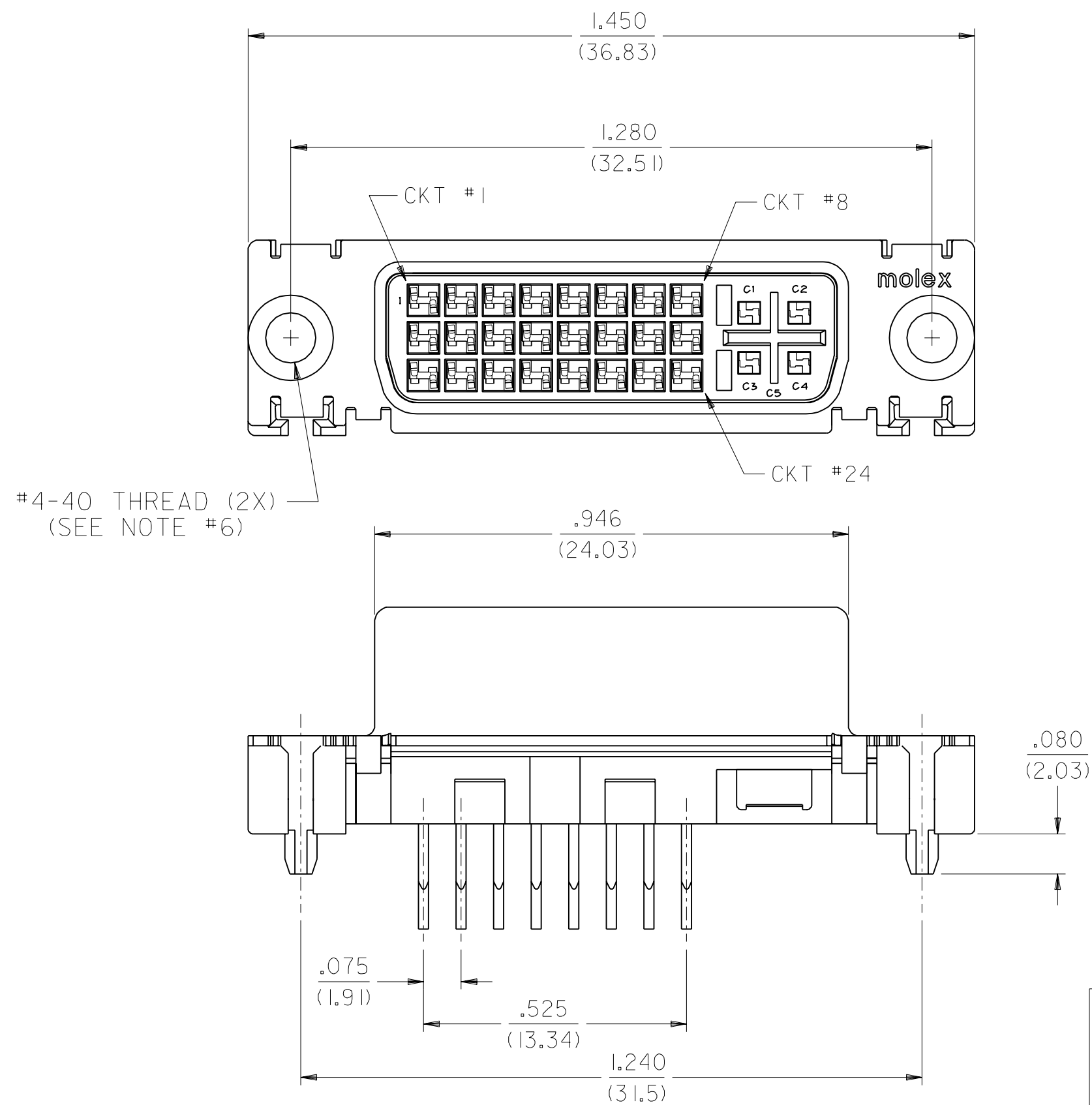
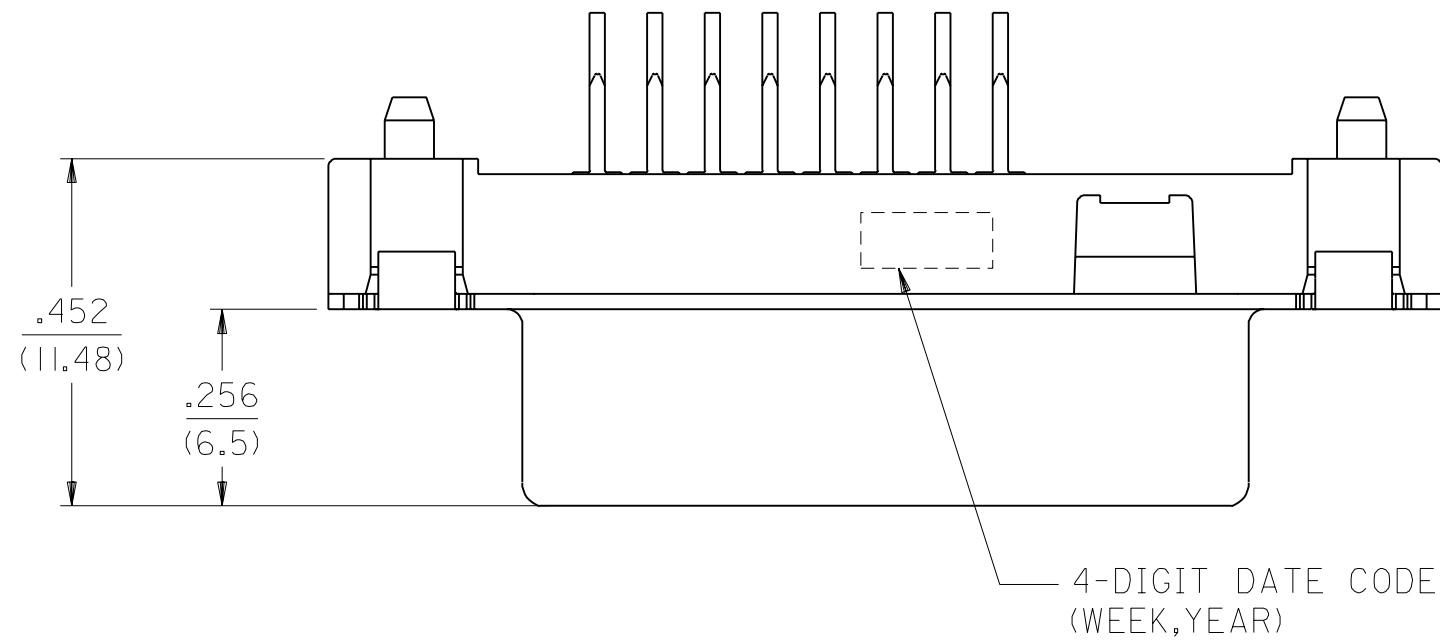


NOTES:

1. MATERIALS: SHIELD -- DEEP DRAW STEEL.
HOUSING -- GLASS FILLED POLYMER, NATURAL (WHITE), UL 94v-0.
CONTACTS -- COPPER ALLOY.
MICROCROSS GROUND -- COPPER ALLOY.
2. PLATING: OUTER SHIELD -- 150u"/(3.75um) MIN. BRIGHT TIN OVER
50u"/(1.27um) MIN. NICKEL OVER COPPER FLASH.
.075"/(1.91mm) CONTACTS -- SELECT GOLD FLASH AND
100u"/(2.50um) MIN. SELECT PURE TIN
OVER 50u"/(1.27um) MIN. NICKEL OVERALL.
3. PRODUCT CONFORMS TO MOLEX PRODUCT SPECIFICATION NUMBER PS-74320-001.
4. PARTS WILL BE PACKAGED IN TRAYS PER PK-74320-010.
5. PRODUCT CONFORMS TO DDWG DVI SPECIFICATION. REFER TO THIS SPECIFICATION FOR CONNECTOR MATING DIMENSIONS.
6. REFER TO PRODUCT SPECIFICATION NUMBER PS-74320-001 FOR THE APPLICATION TORQUE REQUIREMENT.



MODIFICATION EC NO. SH2004-0130 DRWN: DXUE 04/03/05 CHK: HARVEY 04/03/11 APPR: SHUANG 04/03/12	QUALITY SYMBOLS	GENERAL TOLERANCES: (UNLESS SPECIFIED)		SCALE 4 : 1	DESIGN UNITS <input type="checkbox"/> mm <input checked="" type="checkbox"/> INCH	THIRD ANGLE PROJECTION	DIMENSIONS: <input type="checkbox"/> INCH ONLY <input checked="" type="checkbox"/> mm <input type="checkbox"/> INCH ONLY	SHT	REV
	MAJOR $\nabla=0$	4 PLACES	±0.	±.	DRAWN BY & DATE TMCCLELL 00/01/19	TITLE: DVI-A VERTICAL RECEPTACLE FOR DIGITAL ADAPTER ASSEMBLY			
	CRITICAL $\nabla_c=0$	3 PLACES	±0.	±.010	CHECKED BY & DATE SCHMIDGA 00/01/19	MOLEX INCORPORATED			
		2 PLACES	±0.25	±.010	APPROVED BY & DATE RNELSON 00/01/19	CAD FILENAME SD74320022.S01	MATERIAL NO. 74320-6500	DRAWING NO. SD-74320-022	SHEET NO. 1 OF 1
		1 PLACE	±0.25	±.010	THIS DRAWING CONTAINS INFORMATION THAT IS PROPRIETARY TO MOLEX INCORPORATED AND SHOULD NOT BE USED WITHOUT WRITTEN PERMISSION.				SIZE C
	ANGULAR: ± 1/2°	DRAFT WHERE APPLICABLE MUST REMAIN WITHIN DIMENSIONS							