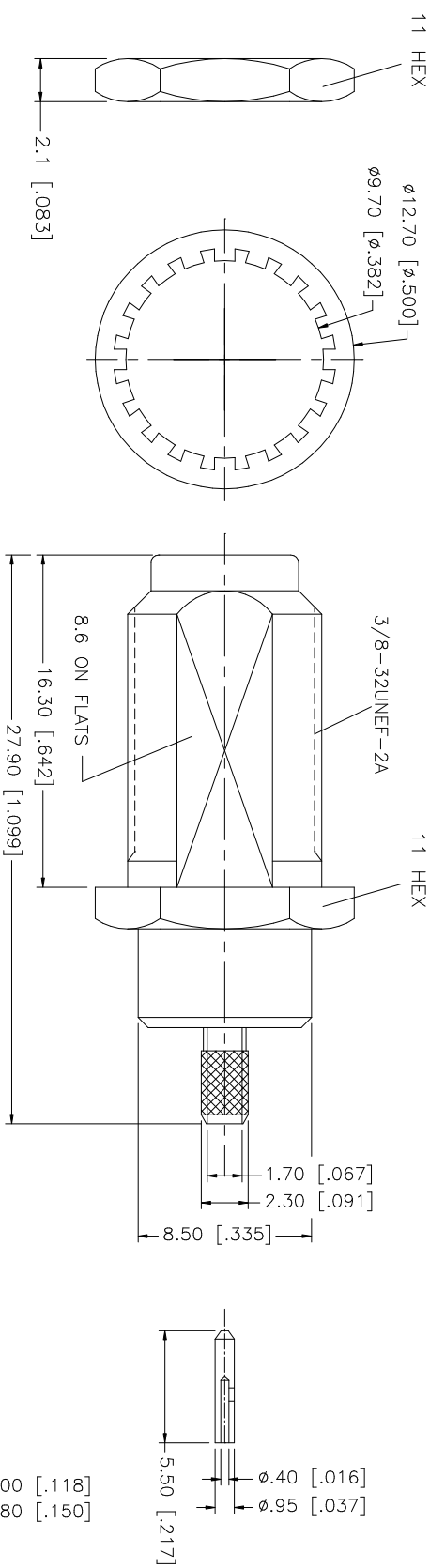
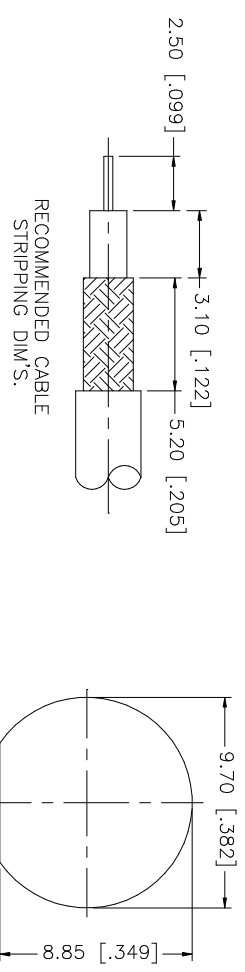


REV.	DATE	DESCRIPTION
NC	11/10/03	INITIAL RELEASE



NOTE:  
 1. CRIMPED FERRULE HEX SIZE .128"  
 2. ACCEPTS  $\phi 0.5 \sim 1.05$  CENTER CONDUCTOR TYPICAL.

8					UNLESS OTHERWISE SPECIFIED DIMENSIONS ARE IN INCHES AND FOR CUSTOMER REFERENCE ONLY.	APPROVALS	DATE	<b>Amphenol Connex</b> F BULKHEAD CRIMP JACK FOR RG-174/U, 179/U, 179B/U, 187A/U CABLE)							
7					TOLERANCES FOR MILLIFIERS ARE:	DRAWN	G.R.S.		11/10/03						
6	FERRULE	COPPER	NICKEL	1	0.3 - 8mm $\pm$ 0.20mm	CHECKED									
5	HEX NUT	BRASS	NICKEL	1	8 - 30mm $\pm$ 0.40mm	ISSUED									
4	LOCK WASHER	BRASS	NICKEL	1	30 - 120mm $\pm$ 0.50mm										
3	INSULATOR	TEFLON	NATURAL	1	UNLESS OTHERWISE SPECIFIED DIMENSIONS FOR INCHES ARE:										
2	CONTACT PIN	BER. COPPER	GOLD	1	.020 - .315 = $\pm$ 0.007"	SHEET	1 OF 1								
1	HOUSING/BODY	BRASS	NICKEL	1	.315 - 1.180 = $\pm$ 0.015" 1.180 - 4.724 = $\pm$ 0.020"										
	DESCRIPTION	MATERIAL	FINISH	QTY	DO NOT SCALE DRAWING	CAD FILE	C:/222/222192.DWG	DWG. NO.	222192.DWG	REV.	NC	SIZE	A	SCALE	NA