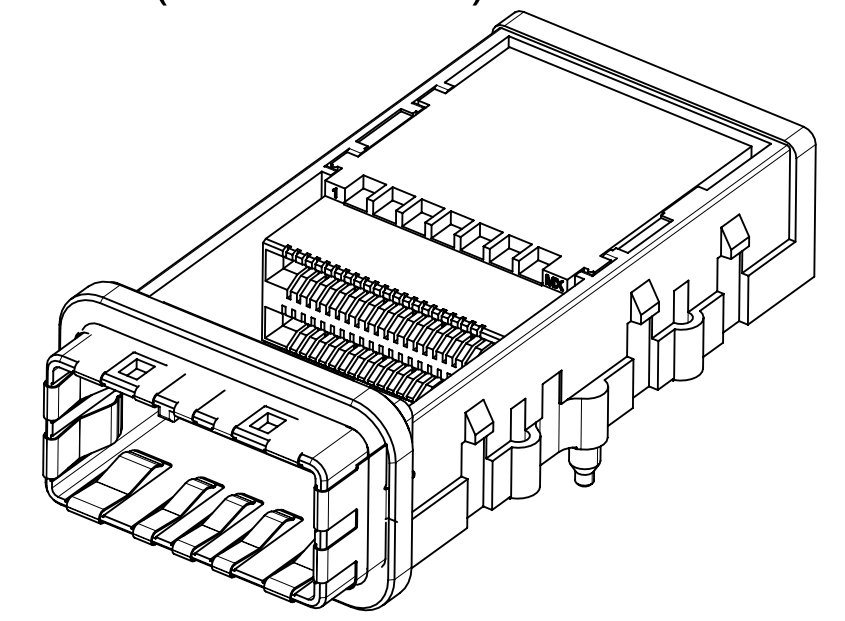
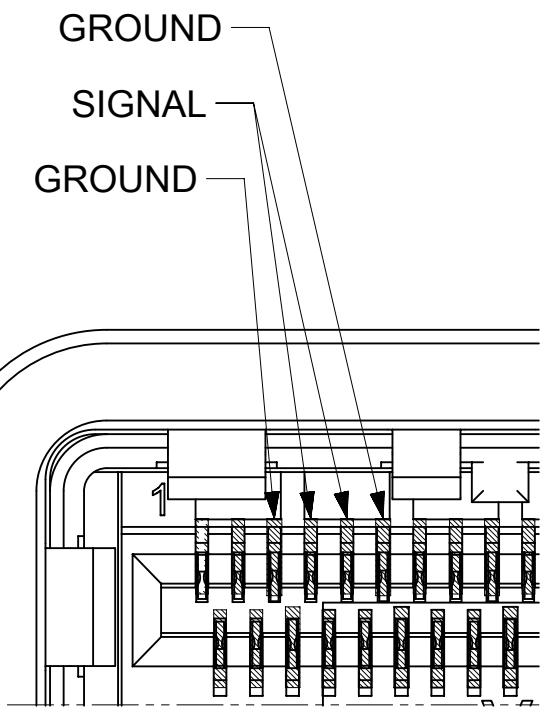


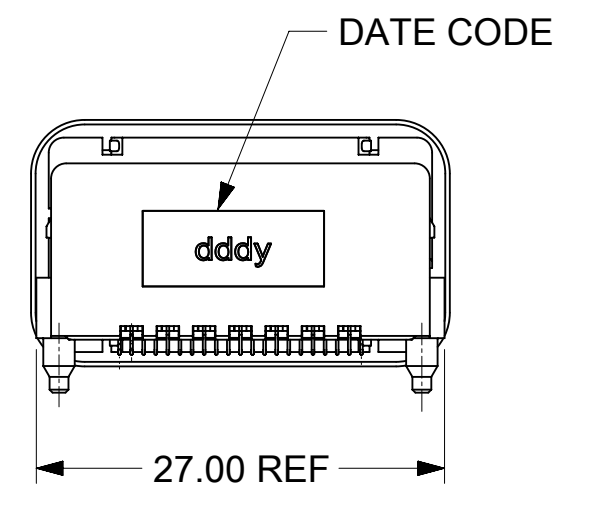
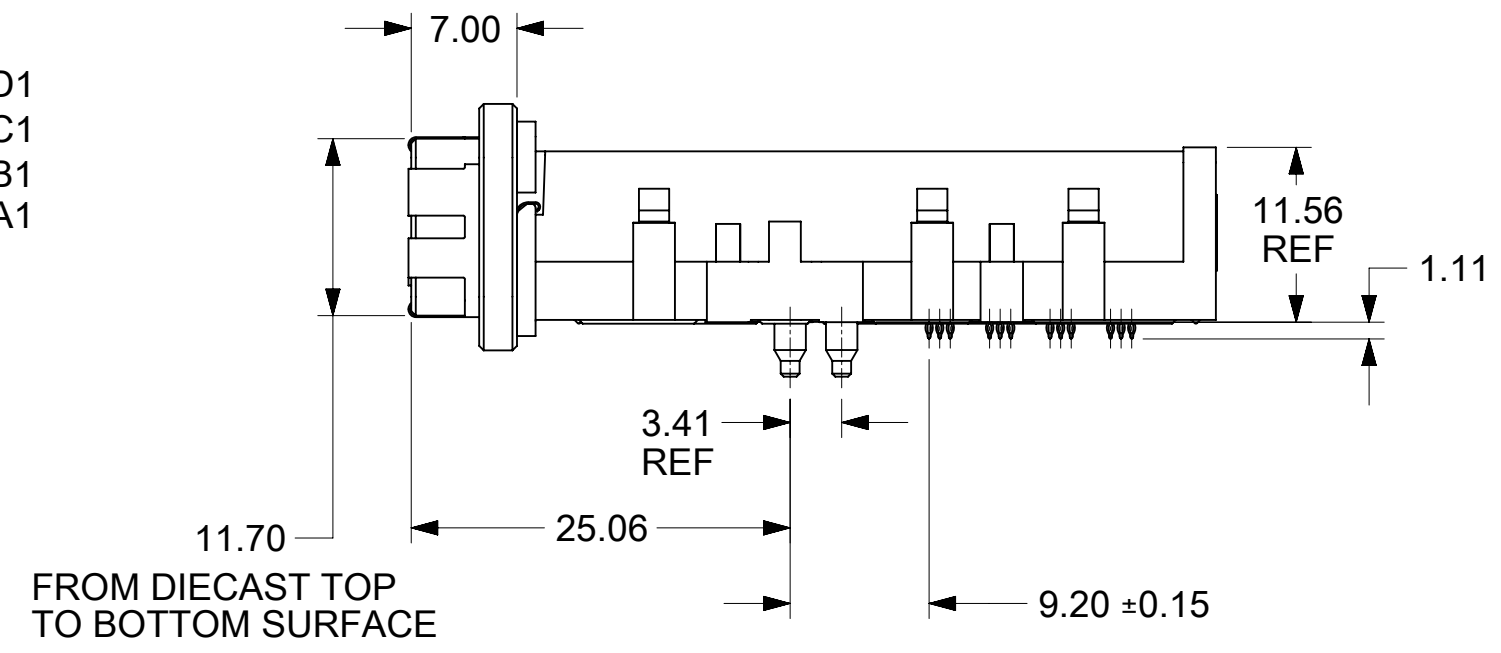
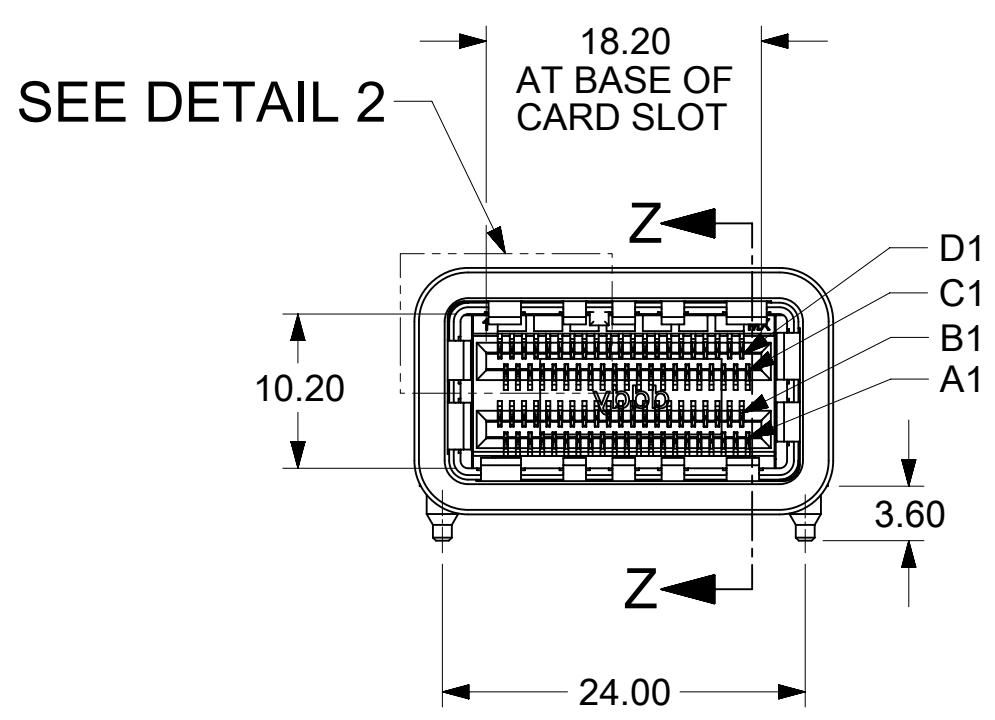
173161-0004(OBSOLETE)



173161-0003



DETAIL 2  
SCALE 6:1

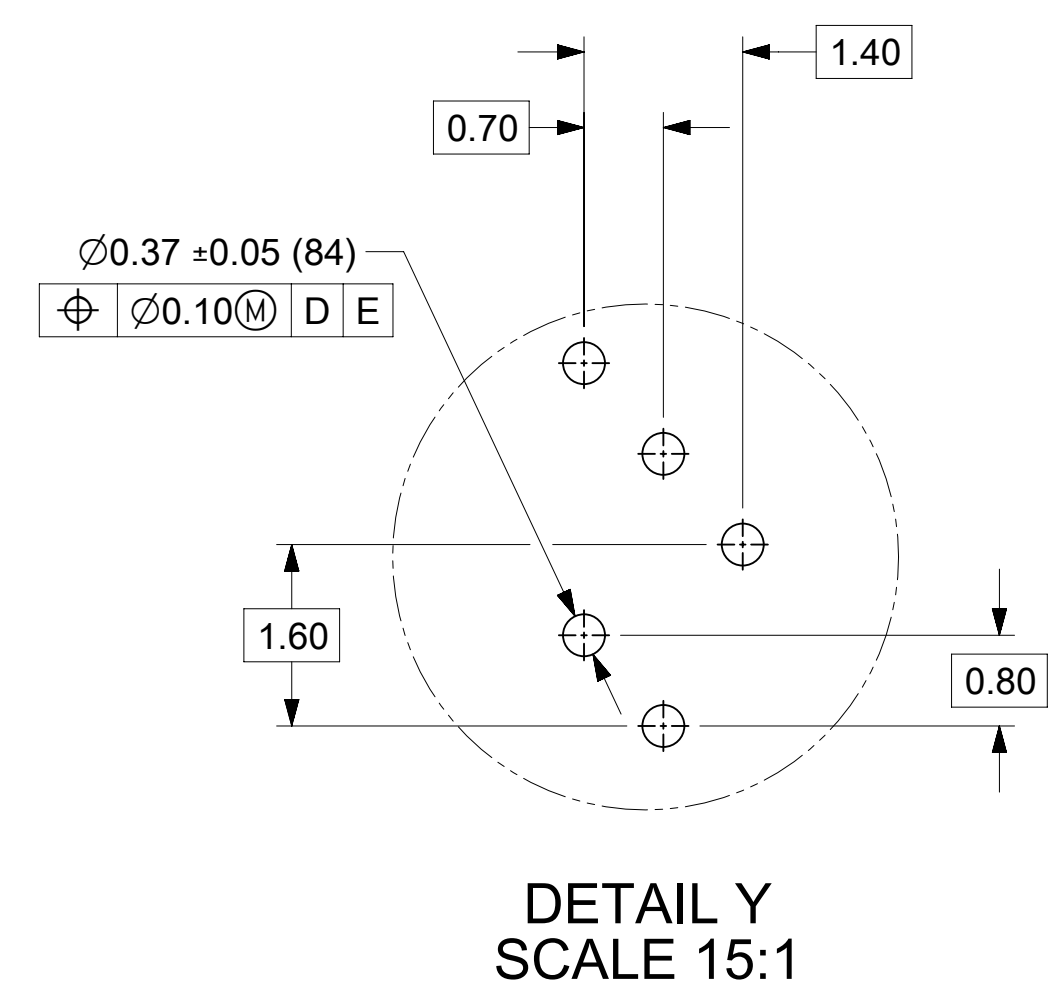
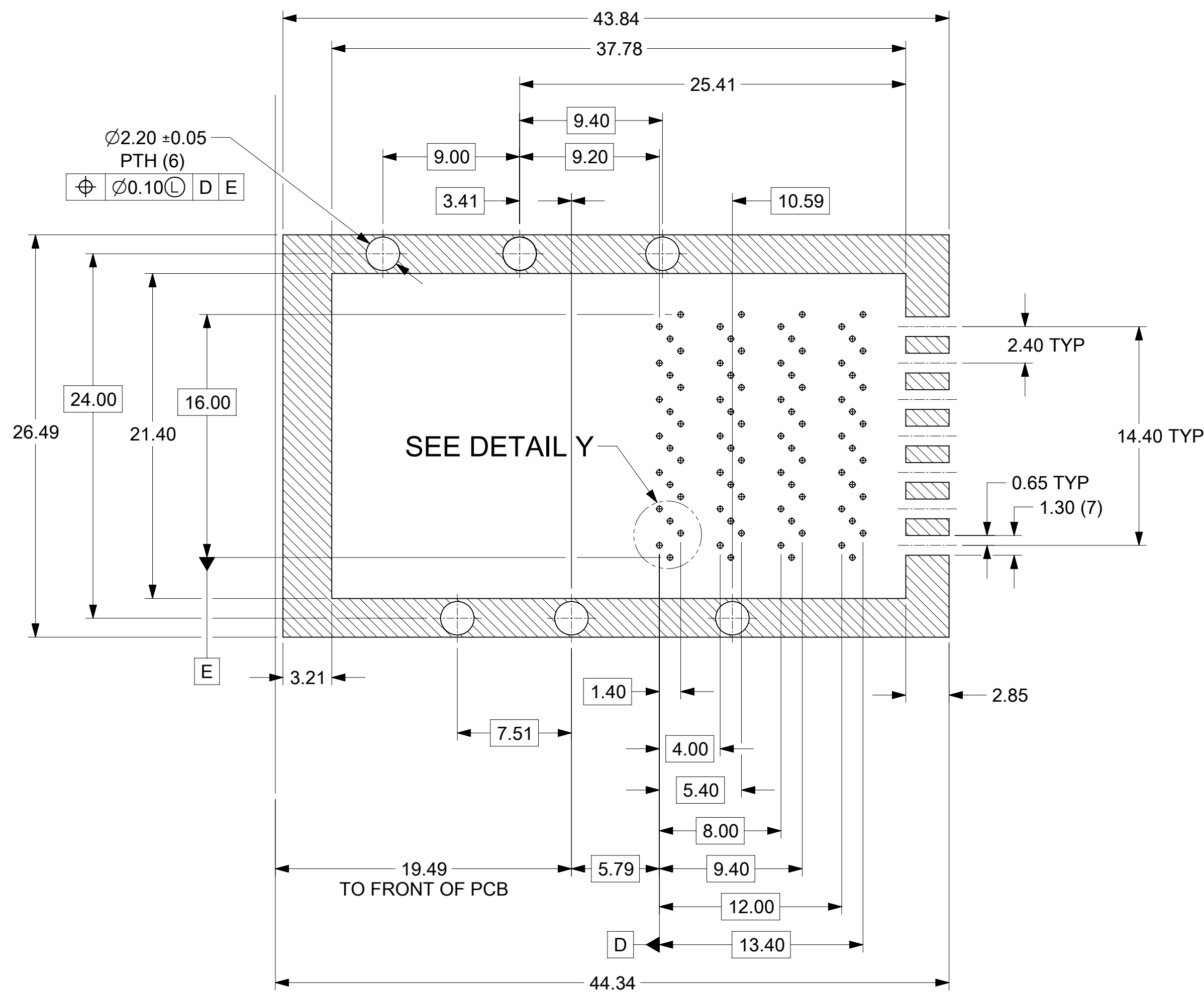


- NOTES:**
- MATERIALS:**  
 CONNECTOR HOUSING: HIGH TEMPERATURE THERMOPLASTIC GLASS-FILLED, UL 94V-0  
 EMI HOUSING: NICKEL PLATED DIE CAST ALLOY  
 COVER: STAINLESS STEEL ALLOY  
 EMI GASKET: CONDUCTIVE FABRIC OVER FOAM UL 94 V-0  
 TERMINALS: COPPER ALLOY
  - PLATING:**  
 CONTACT AREA: 0.76µm MIN. GOLD OVER 2.54µm MIN. NICKEL  
 TIN TAIL AREA: 0.76µm - 1.52µm TIN OVER 1.27µm MIN NICKEL
  - THIS CONNECTOR IS DESIGNED TO MATE WITH MOLEX CABLE SERIES INDICATED IN THE MOLEX PRODUCT SPEC. PS-173124-0001.
  - REFER TO ROUTING GUIDE AS-173124-0002 FOR PCB TRACE INFORMATION.
  - PACKAGING SPECIFICATION: TRAY PACK PER PK-170465-0001.
  - REFER TO AS-170465-0001 FOR THE APPLICATION SPECIFICATION.
  - MOUNTING HARDWARE REQUIRED: M2x0.4 CAP SCREWS (4)  
 MOUNTING SCREW LENGTH: BOARD THICKNESS + 4mm MAX

MATERIAL #	DESCRIPTION
1731610003	NO COVER
O1731610004	WITH COVER

THIS DRAWING CONTAINS INFORMATION THAT IS PROPRIETARY TO MOLEX ELECTRONIC TECHNOLOGIES, LLC AND SHOULD NOT BE USED WITHOUT WRITTEN PERMISSION				CURRENT REV DESC: OBSOLETE PART NUMBERS			
DIMENSION UNITS		SCALE		EC NO: 653275			
mm		2:1		DRWN: SKANDB		2020/12/31	
GENERAL TOLERANCES (UNLESS SPECIFIED)				CHK'D: GGA			
		MM		INCH		APPR: GGA	
4 PLACES		±		±		2021/02/04	
3 PLACES		±		±		2021/02/04	
2 PLACES		± 0.25		±		2021/02/04	
1 PLACE		±		±		INITIAL REVISION:	
0 PLACES		±		±		DRWN: SVANG01	
ANGULAR TOL		± 0.5 °		APPR: SVANG01		2016/04/07	
DRAFT WHERE APPLICABLE MUST REMAIN WITHIN DIMENSIONS		THIRD ANGLE PROJECTION		DRAWING		SERIES	
		C-SIZE		173161		DOCUMENT NUMBER	
						SD-173161-0003	
						DOC TYPE	
						PSD	
						DOC PART	
						001	
						REVISION	
						A1	
						MATERIAL NUMBER	
						SEE TABLE	
						CUSTOMER	
						GENERAL MARKET	
						SHEET NUMBER	
						1 OF 4	

DOCUMENT STATUS	P1	RELEASE DATE	2021/02/04	07:34:12
-----------------	----	--------------	------------	----------

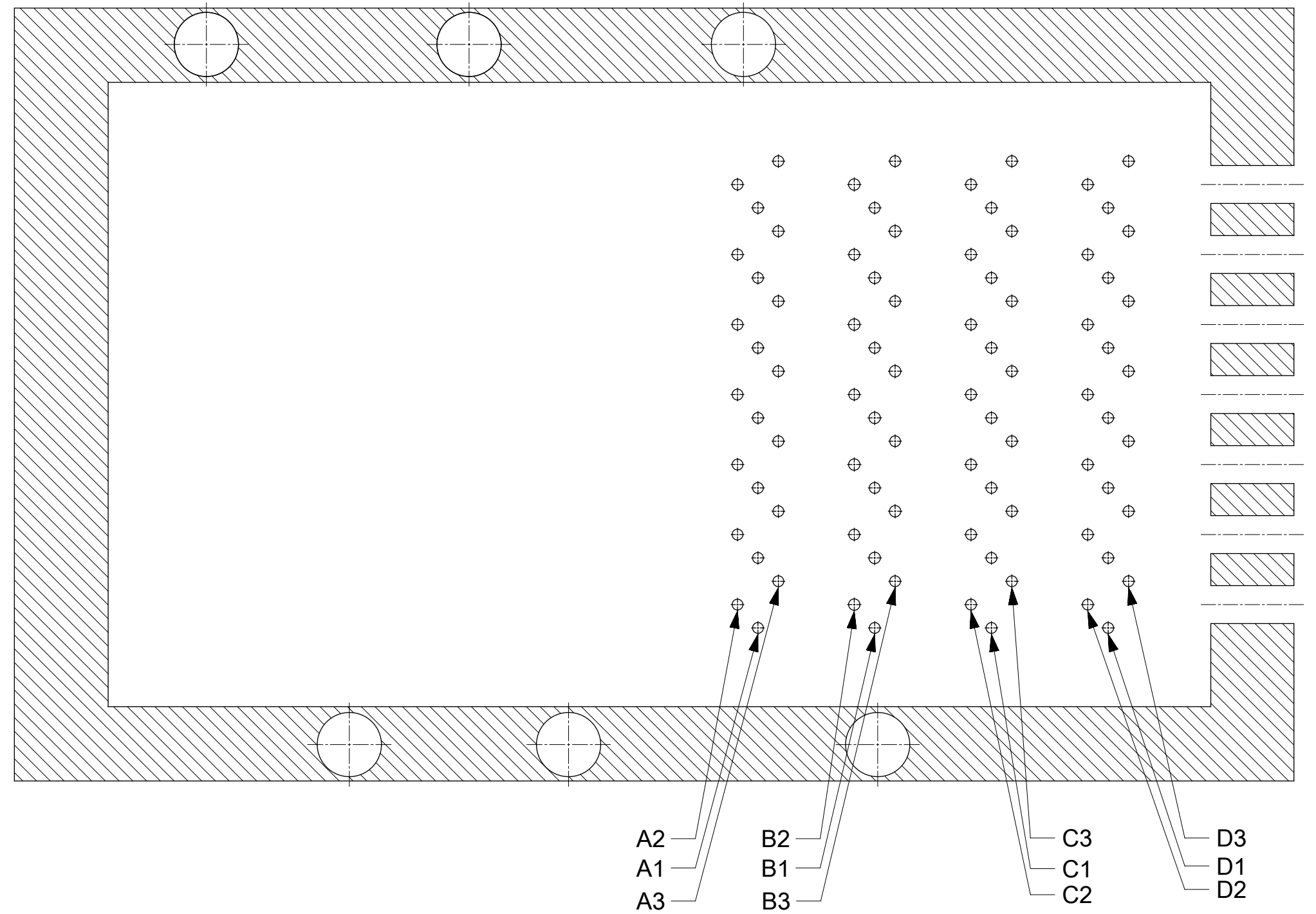
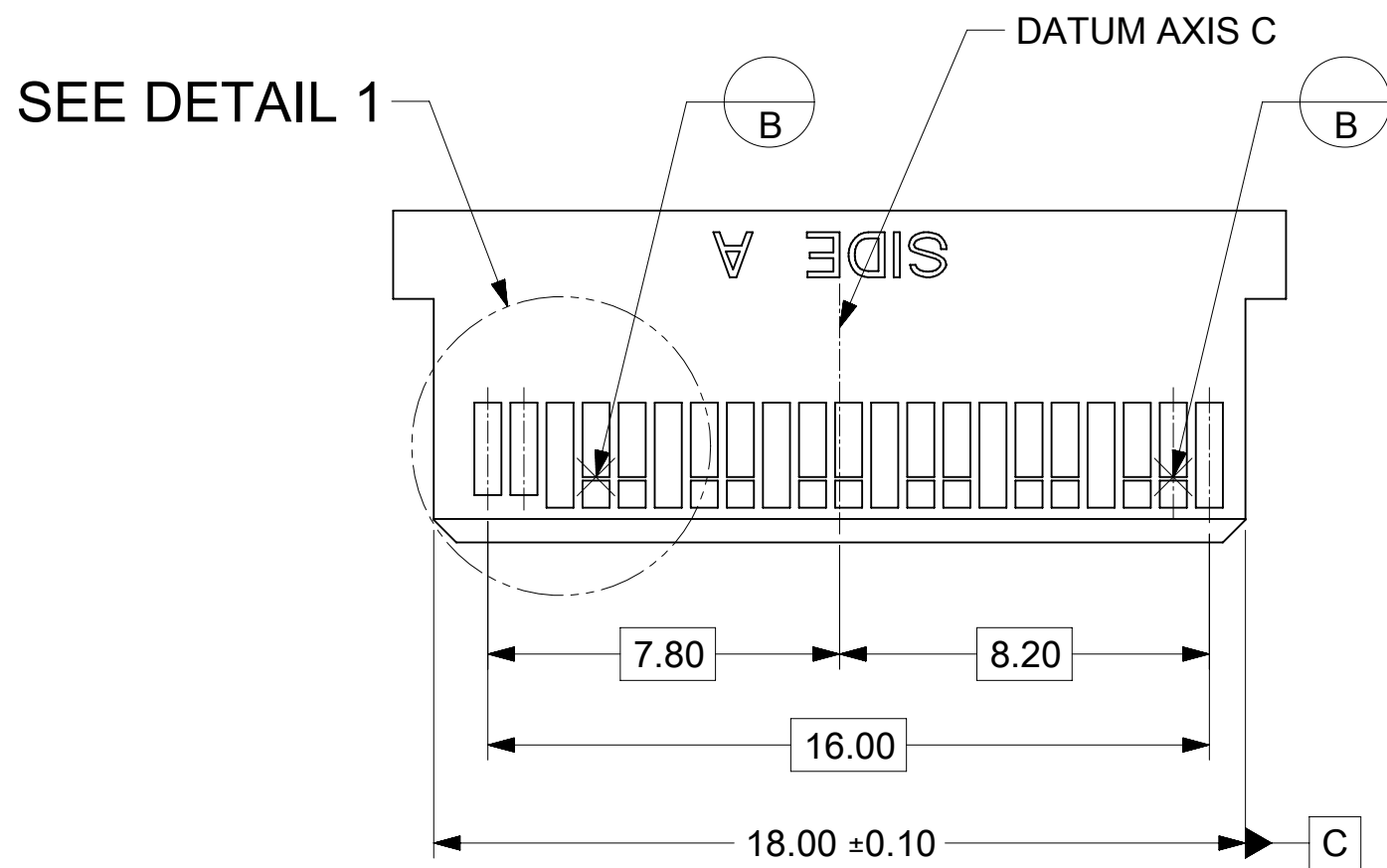
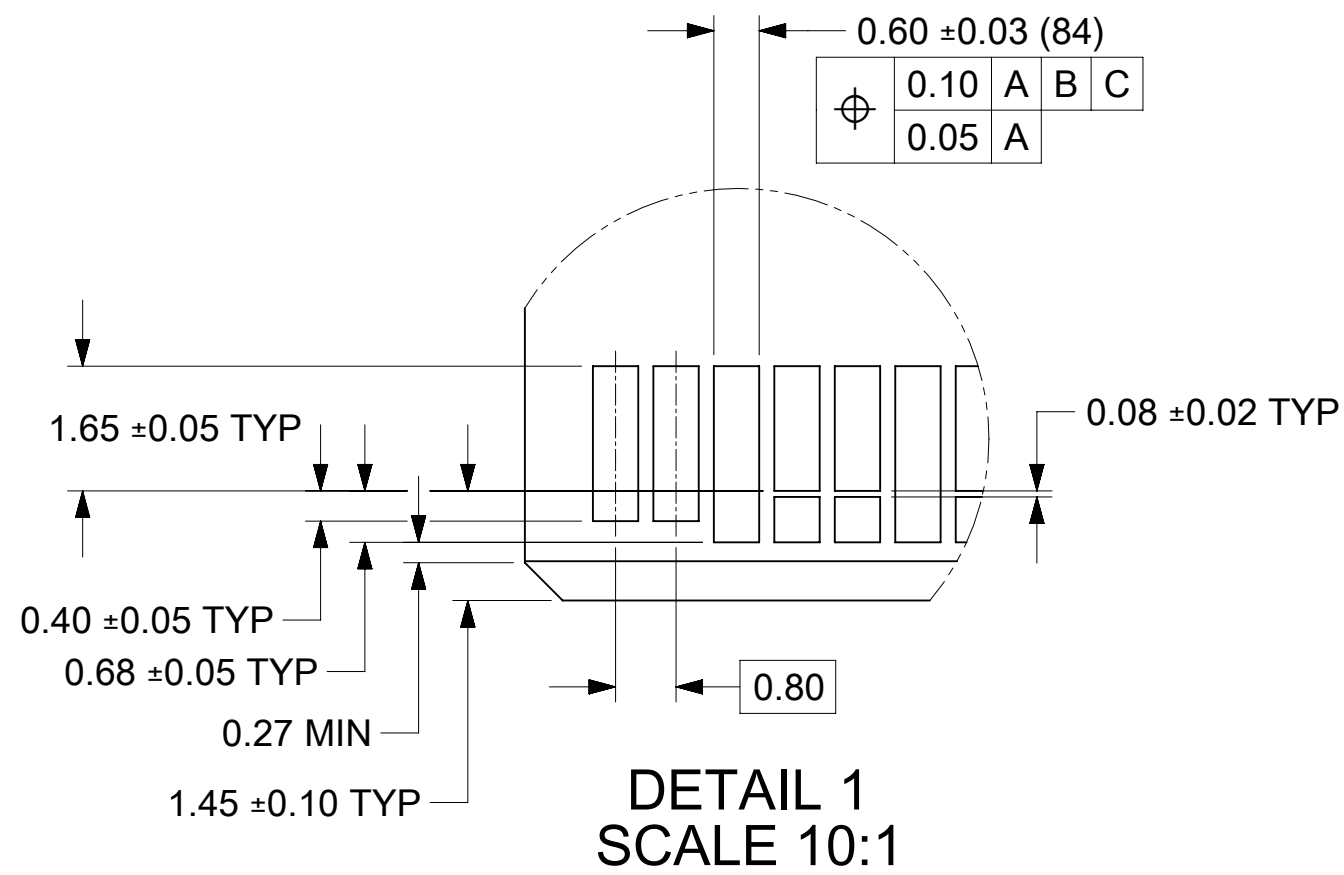
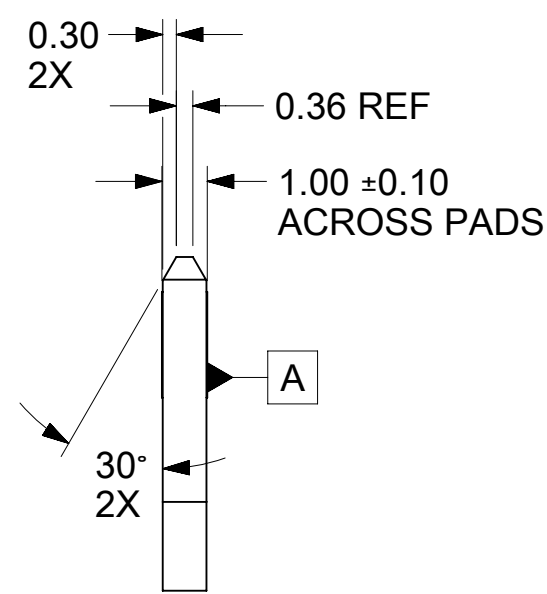
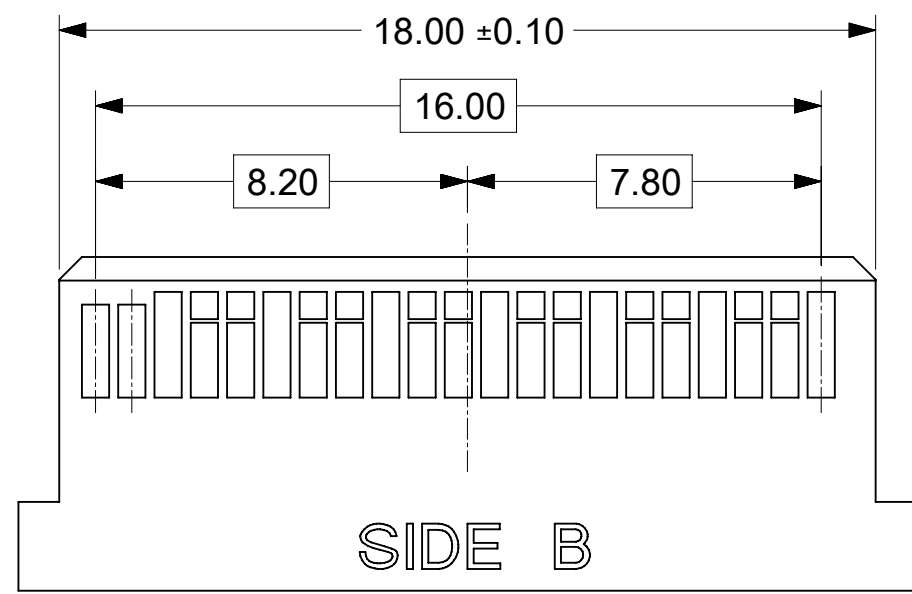


- NOTES:**
- CROSS-HATCHED AREA TO BE CONDUCTIVE ON THE PCB.
  - CROSS-HATCHED AREA MUST BE INCORPORATED IN THE FLAT ROCK PRESS-FIT TOOLING.
  - REFER TO THE PLATING DETAIL OF THE COMPLIANT PIN HOLES IN THE APPLICATION SPEC AS-173124-0002 FOR THE DRILL SIZE AND ANNULAR RING FOR THE 0.37Ø FINISHED HOLE.
  - MINIMUM RECOMMENDED SPACING: 26.50

**RECOMMENDED PCB LAYOUT  
COMPONENT SIDE SHOWN**

**PCB THICKNESS: 1.57mm MIN.**

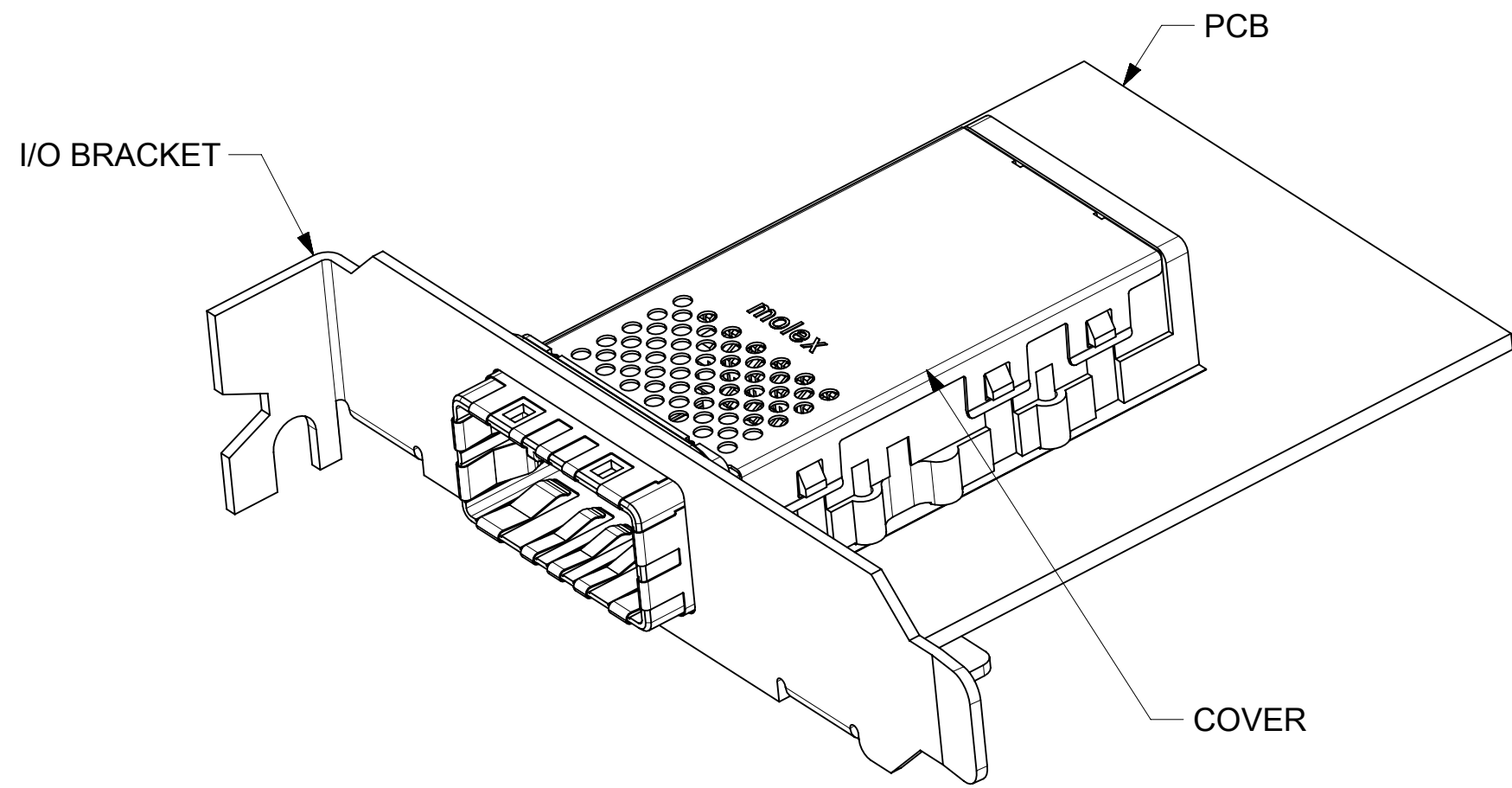
THIS DRAWING CONTAINS INFORMATION THAT IS PROPRIETARY TO MOLEX ELECTRONIC TECHNOLOGIES, LLC AND SHOULD NOT BE USED WITHOUT WRITTEN PERMISSION									
DIMENSION UNITS		SCALE		CURRENT REV DESC: OBSOLETE PART NUMBERS				<b>molex</b>	
mm		4:1							
GENERAL TOLERANCES (UNLESS SPECIFIED)				EC NO: 653275		2020/12/31		ZCXP STANDARD BODY	
4 PLACES		±	±	DRWN: SKANDB		2021/02/04		84 CIRCUIT 0.8MM I/O CONNECTOR ASSEMBLY	
3 PLACES		±	±	CHK'D: GGA		2021/02/04		PRODUCT CUSTOMER DRAWING	
2 PLACES		± 0.25	±	APPR: GGA		2021/02/04		DOCUMENT NUMBER	
1 PLACE		±	±	INITIAL REVISION:				DOC TYPE   DOC PART   REVISION	
0 PLACES		±	±	DRWN: SVANG01		2016/04/07		SD-173161-0003	
ANGULAR TOL		± 0.5 °		APPR: SVANG01		2016/04/08		PSD 001 A1	
DRAFT WHERE APPLICABLE MUST REMAIN WITHIN DIMENSIONS				THIRD ANGLE PROJECTION		DRAWING		MATERIAL NUMBER	
				C-SIZE		SERIES		CUSTOMER	
				C-SIZE		173161		GENERAL MARKET	
								SHEET NUMBER	
								2 OF 4	



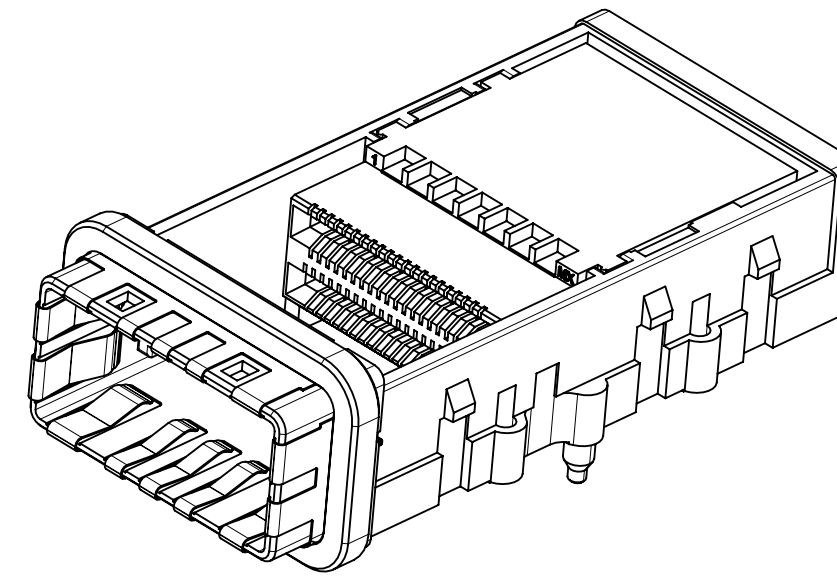
- NOTES:**
- 0.03 MINIMUM KEEP OUT FOR SOLDER MASK AROUND ALL PADS
  - DATUM B TARGETS ARE DEFINED BY THE RESPECTIVE PAD CENTER LINES AND THE LEADING EDGE OF THE TARGET PADS

THIS DRAWING CONTAINS INFORMATION THAT IS PROPRIETARY TO MOLEX ELECTRONIC TECHNOLOGIES, LLC AND SHOULD NOT BE USED WITHOUT WRITTEN PERMISSION									
DIMENSION UNITS		SCALE		CURRENT REV DESC: OBSOLETE PART NUMBERS					
mm		6:1		<p><b>molex</b></p> <p>ZCXP STANDARD BODY 84 CIRCUIT 0.8MM I/O CONNECTOR ASSEMBLY</p> <p>PRODUCT CUSTOMER DRAWING</p> <p>DOCUMENT NUMBER: <b>SD-173161-0003</b>   DOC TYPE: PSD   DOC PART: 001   REVISION: A1</p> <p>MATERIAL NUMBER: SEE TABLE   CUSTOMER: GENERAL MARKET   SHEET NUMBER: 3 OF 4</p>					
GENERAL TOLERANCES (UNLESS SPECIFIED)									
	MM	INCH							
4 PLACES	±	±							
3 PLACES	±	±							
2 PLACES	± 0.25	±							
1 PLACE	±	±							
0 PLACES	±	±							
ANGULAR TOL ± 0.5 °				EC NO: 653275		2020/12/31			
DRAFT WHERE APPLICABLE MUST REMAIN WITHIN DIMENSIONS				DRWN: SKANDB		2021/02/04			
THIRD ANGLE PROJECTION				CHK'D: GGA		2021/02/04			
DRAWING				APPR: GGA		2021/02/04			
SERIES				INITIAL REVISION:					
C-SIZE				DRWN: SVANG01		2016/04/07			
173161				APPR: SVANG01		2016/04/08			

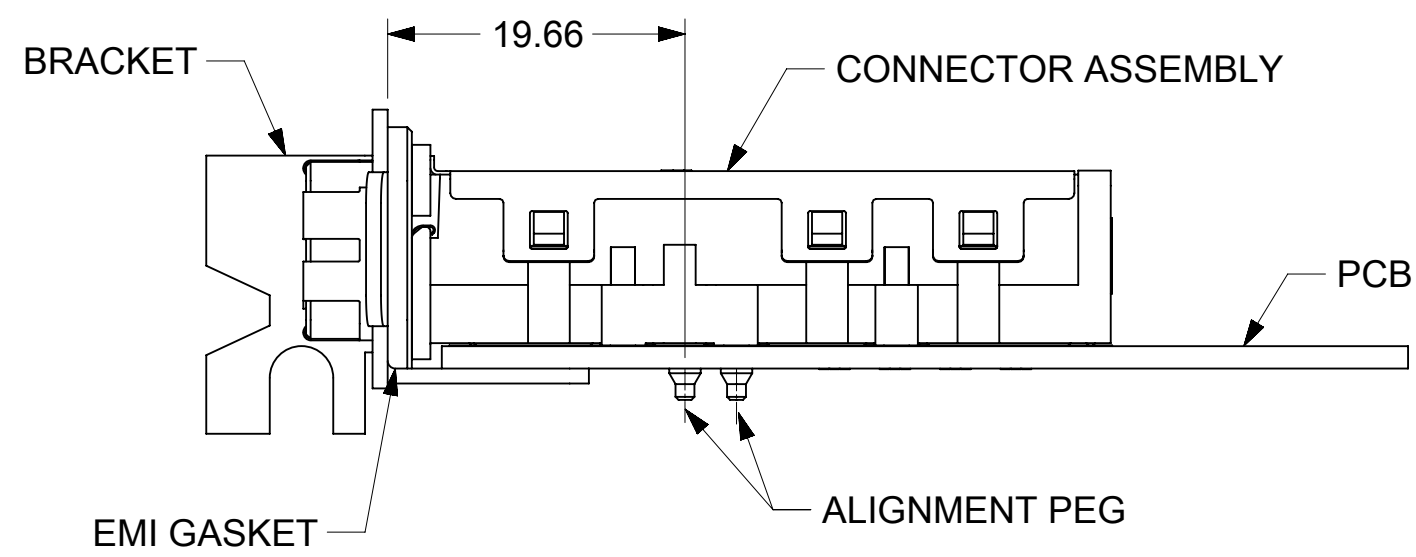
DOCUMENT STATUS	P1	RELEASE DATE	2021/02/04	07:34:12
-----------------	----	--------------	------------	----------



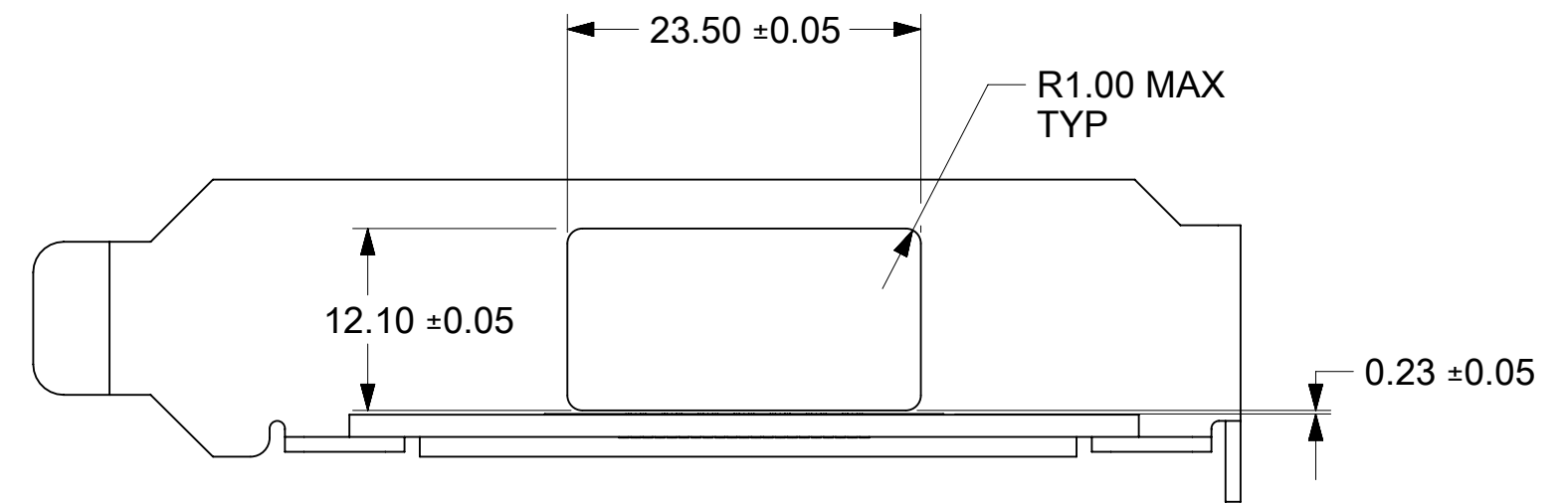
173161-0004(OBSOLETE)



173161-0003


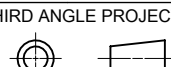


ASSEMBLED VIEW



RECOMMENDED I/O BRACKET CUT-OUT  
(NOT SUPPLIED)

THIS DRAWING CONTAINS INFORMATION THAT IS PROPRIETARY TO MOLEX ELECTRONIC TECHNOLOGIES, LLC AND SHOULD NOT BE USED WITHOUT WRITTEN PERMISSION

DIMENSION UNITS		SCALE		CURRENT REV DESC: OBSOLETE PART NUMBERS				 ZCXP STANDARD BODY 84 CIRCUIT 0.8MM I/O CONNECTOR ASSEMBLY							
mm		2:1													
GENERAL TOLERANCES (UNLESS SPECIFIED)						EC NO: 653275		2020/12/31 2021/02/04 2021/02/04							
		MM	INCH												
4 PLACES	±			DRWN: SKANDB				PRODUCT CUSTOMER DRAWING DOCUMENT NUMBER: SD-173161-0003 DOC TYPE: PSD DOC PART: 001 REVISION: A1							
3 PLACES	±			CHK'D: GGA											
2 PLACES	±	0.25		APPR: GGA				MATERIAL NUMBER: SEE TABLE CUSTOMER: GENERAL MARKET SHEET NUMBER: 4 OF 4							
1 PLACE	±			INITIAL REVISION:											
0 PLACES	±			DRWN: SVANG01		2016/04/07									
ANGULAR TOL		± 0.5 °		APPR: SVANG01		2016/04/08									
DRAFT WHERE APPLICABLE MUST REMAIN WITHIN DIMENSIONS				THIRD ANGLE PROJECTION		DRAWING		SERIES		MATERIAL NUMBER		CUSTOMER		SHEET NUMBER	
						C-SIZE		173161		SEE TABLE		GENERAL MARKET		4 OF 4	