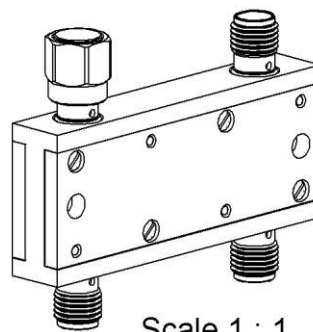
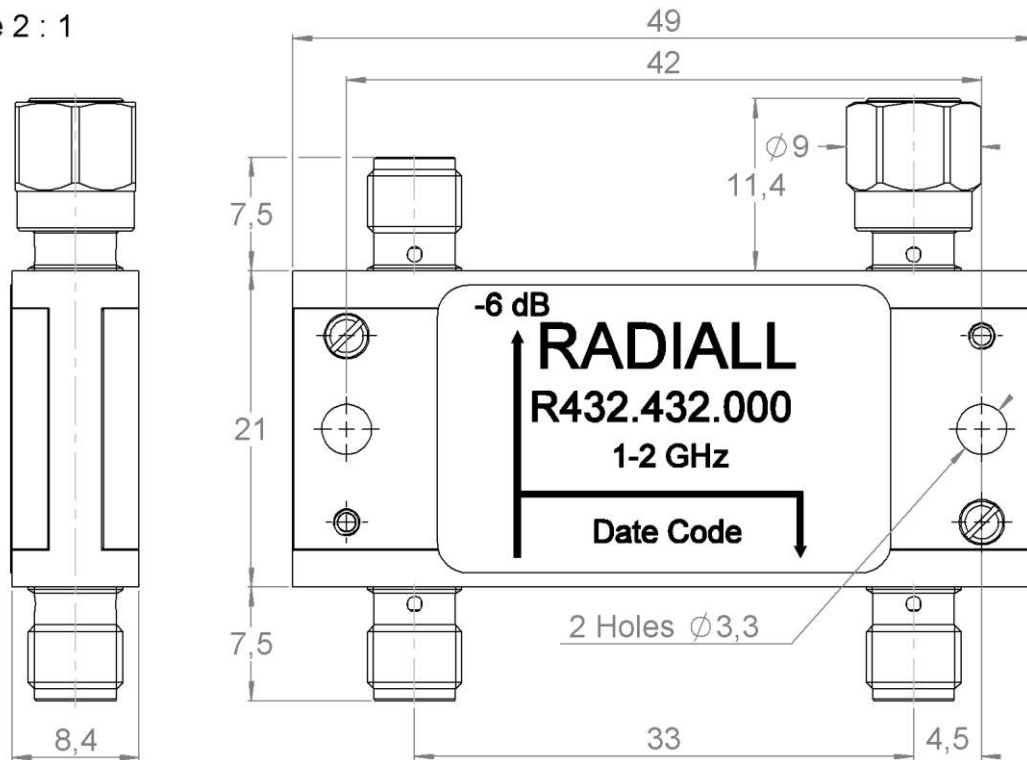


| | | | |
|----------|-----------------|--------------------------|-------------------------------|
| PAGE 1/2 | ISSUE 04-12-19N | SERIES COUPLER | PART NUMBER R432432000 |
|----------|-----------------|--------------------------|-------------------------------|

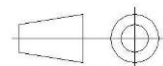
Scale 2 : 1



Scale 1 : 1

All dimensions are in mm. Tolerances according ISO 2768 m-H

Weight Specification **28,0900** g



ELECTRICAL CHARACTERISTICS

| | |
|-----------------------------|--------------|
| Frequency operating range : | 1 – 2 GHz |
| Impedance : | 50 Ω |
| VSWR : - Main Line | 1.20 max. |
| - Coupled Line | 1.20 max. |
| Nominal Coupling : | 6 dB |
| Coupling Precision : | ± 1.1 dB |
| Insertion Loss : | 1.8 dB max. |
| Directivity : | 23 dB mini |
| Frequency Sensitivity : | ± 0.8 dB |
| Average Power at 25°C | 100W |
| Peak Power at 25°C | 3000W |

MECHANICAL CHARACTERISTICS

| | |
|-----------------------|----------------------------|
| Connector type : | SMA female per MIL-C 39012 |
| Coaxial Termination : | SMA, 50 Ω , 1W |

ENVIRONMENTAL CHARACTERISTICS

| | |
|-------------------------|---------------|
| Operating temperature : | -25°C / +70°C |
| Storage temperature : | -25°C / +70°C |