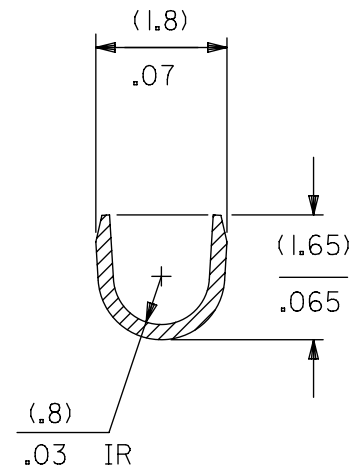
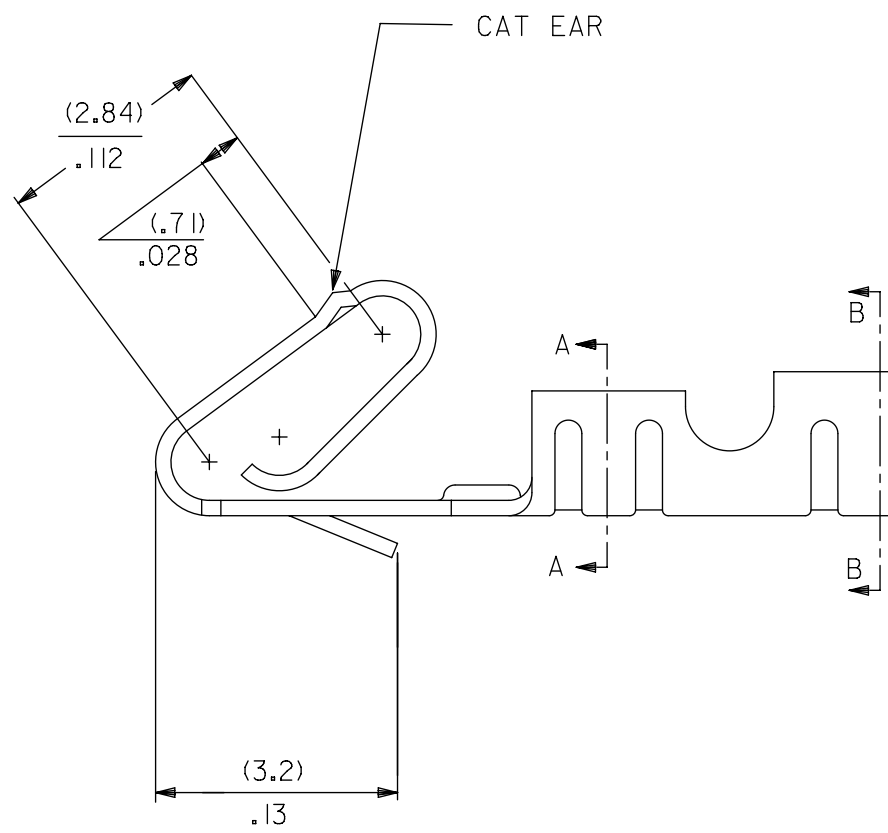
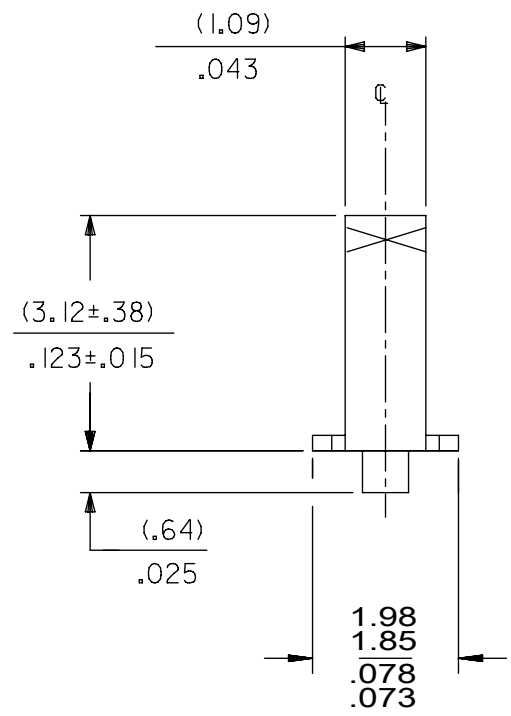
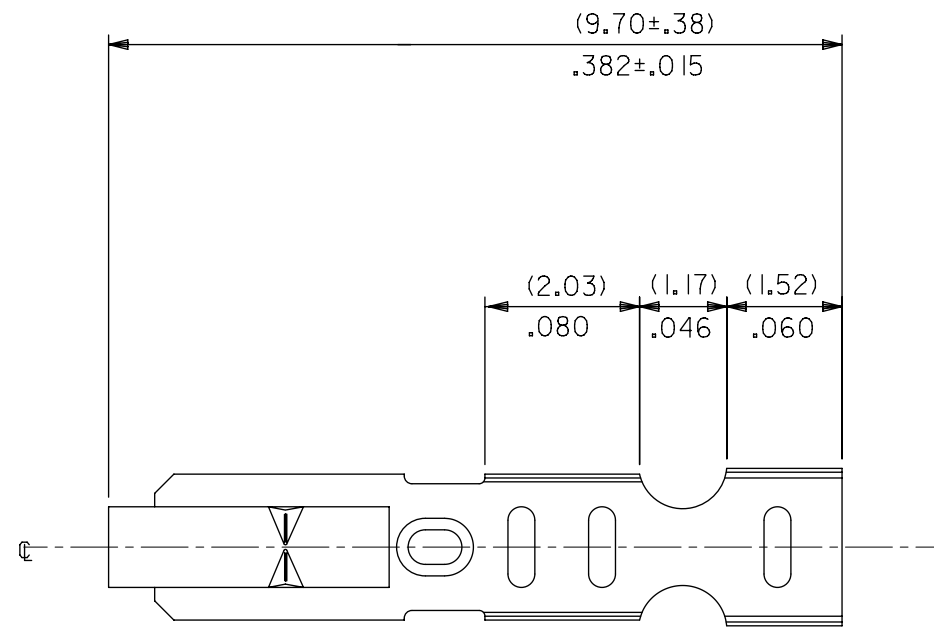
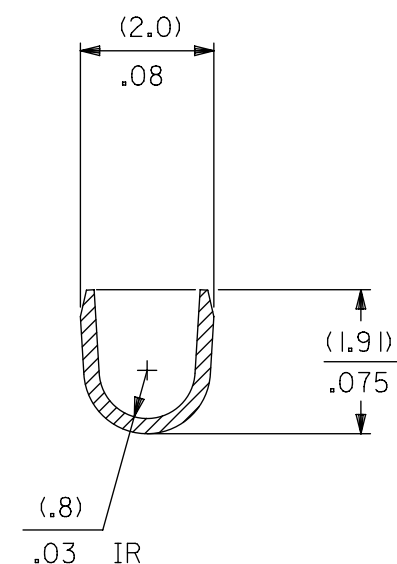


NOTES:

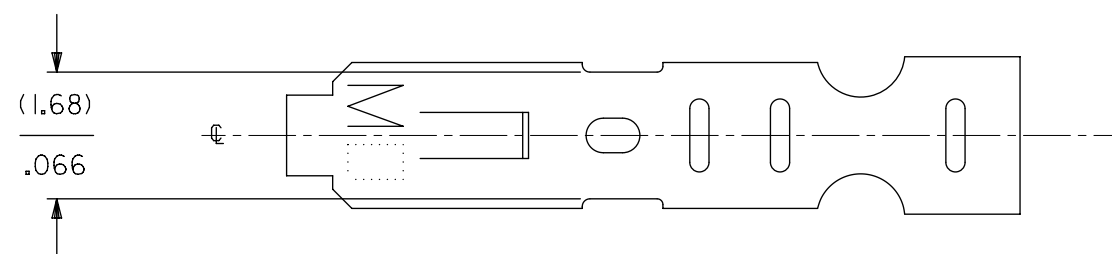
1. MATERIAL: PHOS BRONZE
2. FINISH: SEE LEGEND
3. PRODUCT SPECIFICATION: PS-10-07
4. PACKAGING: LOOSE TERMINALS: PER PK-2759-001
CHAIN FORM TERMINALS: PER PK-2759-002
5. INSERTION FORCE OF TERMINAL INTO (2.54)/.100 CL HOUSING IS 11.1 N / 2.5 LBS MAX.
6. TERMINAL RETENTION IN HOUSING IS 26.7N / 6LBS MIN. WHEN PULLED AT THE RATE OF 25.4MM / 1 INCH PER MINUTE.
7. DIMENSIONS GIVEN ACROSS CENTERLINES ARE SYMMETRICAL ABOUT THOSE CENTERLINES WITHIN HALF THE TOTAL TOLERANCE.
8. CRIMP IS FOR 22-30 GA WIRE WITH (1.57)/.062 DIA. INSULATION MAX.
9. THIS PART CONFORMS TO CLASS B REQUIREMENTS OF COSMETIC SPECIFICATION PS-45499-002



SECTION A-A
BACKGROUND OMITTED



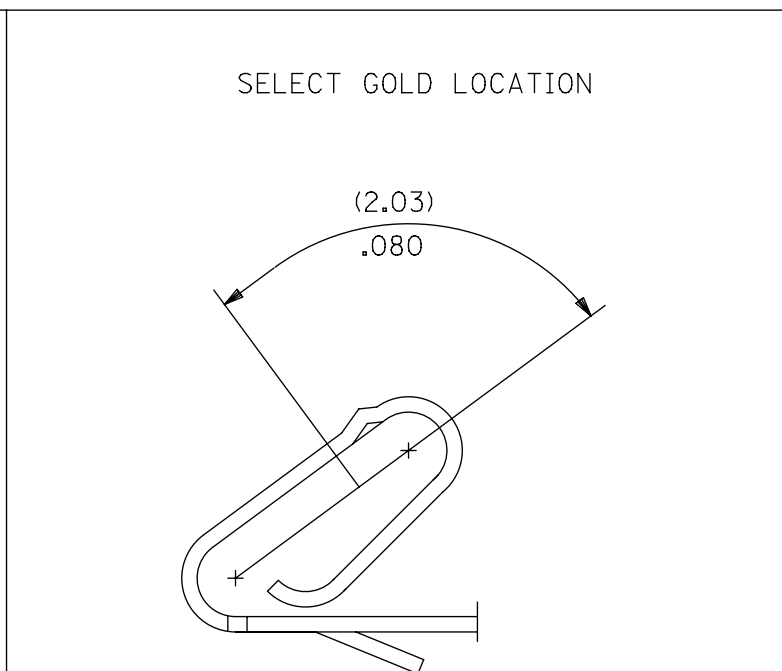
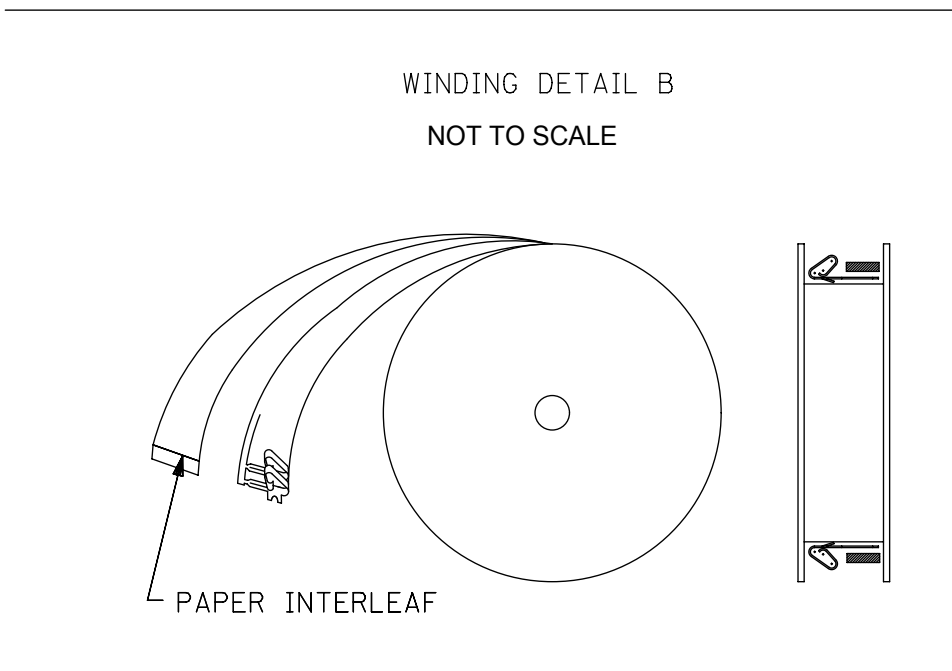
SECTION B-B
BACKGROUND OMITTED



41572-*(***)*
 MATERIAL: A= SEE NOTE 1
 FORM: L=LOOSE, BLANK=CHAIN PER DETAIL B
 PLATING

(P909) OVERALL HOT TIN DIP: (0.00254)/.000100 MIN.
 (154) OVERALL TIN: (0.00254)/.000100 MIN. OVER
 (0.00127)/.000050 MIN. NICKEL

PART NO.	ENG NO.
08-65-0804	41572-A(P909)
08-65-0805	41572-A(P909)L
41572-0002	41572-A(154)



SYMBOLS		THIS DRAWING CONTAINS INFORMATION THAT IS PROPRIETARY TO MOLEX ELECTRONIC TECHNOLOGIES, LLC AND SHOULD NOT BE USED WITHOUT WRITTEN PERMISSION		CURRENT REV DESC: NOTE 4 UPDATED	
DIMENSION UNITS	SCALE	MM	INCH	EC NO:	DATE
MM/IN	1:1			605479	2018/09/11
GENERAL TOLERANCES (UNLESS SPECIFIED)				DRWN: SS06	2018/10/05
4 PLACES	±			CHK'D: ISHWARG	2018/10/05
3 PLACES	±	0.25	0.015	APPR: ISHWARG	2018/10/05
2 PLACES	±	0.38		INITIAL REVISION:	
1 PLACE	±			DRWN: SAMIEC	1993/03/19
0 PLACES	±			APPR:	
ANGULAR TOL	± 0.5 °			THIRD ANGLE PROJECTION	
DRAFT WHERE APPLICABLE MUST REMAIN WITHIN DIMENSIONS				DRAWING	SERIES
				C-SIZE	41572
				MATERIAL NUMBER	CUSTOMER
				SEE CHART	GENERAL MARKET
				DOCUMENT NUMBER	DOC TYPE DOC PART REVISION
				SD-41572	PSD 001 G2
				SHEET NUMBER	1 OF 1

DOCUMENT STATUS	P1	RELEASE DATE	2018/10/05	09:56:23
-----------------	----	--------------	------------	----------

molex

KK (2.54)/.100 CRIMP
 TERMINAL 22-30 GA 6459 WITH CAT EAR

PRODUCT CUSTOMER DRAWING

DOCUMENT NUMBER: SD-41572 | DOC TYPE: PSD | DOC PART: 001 | REVISION: G2

MATERIAL NUMBER: SEE CHART | CUSTOMER: GENERAL MARKET | SHEET NUMBER: 1 OF 1