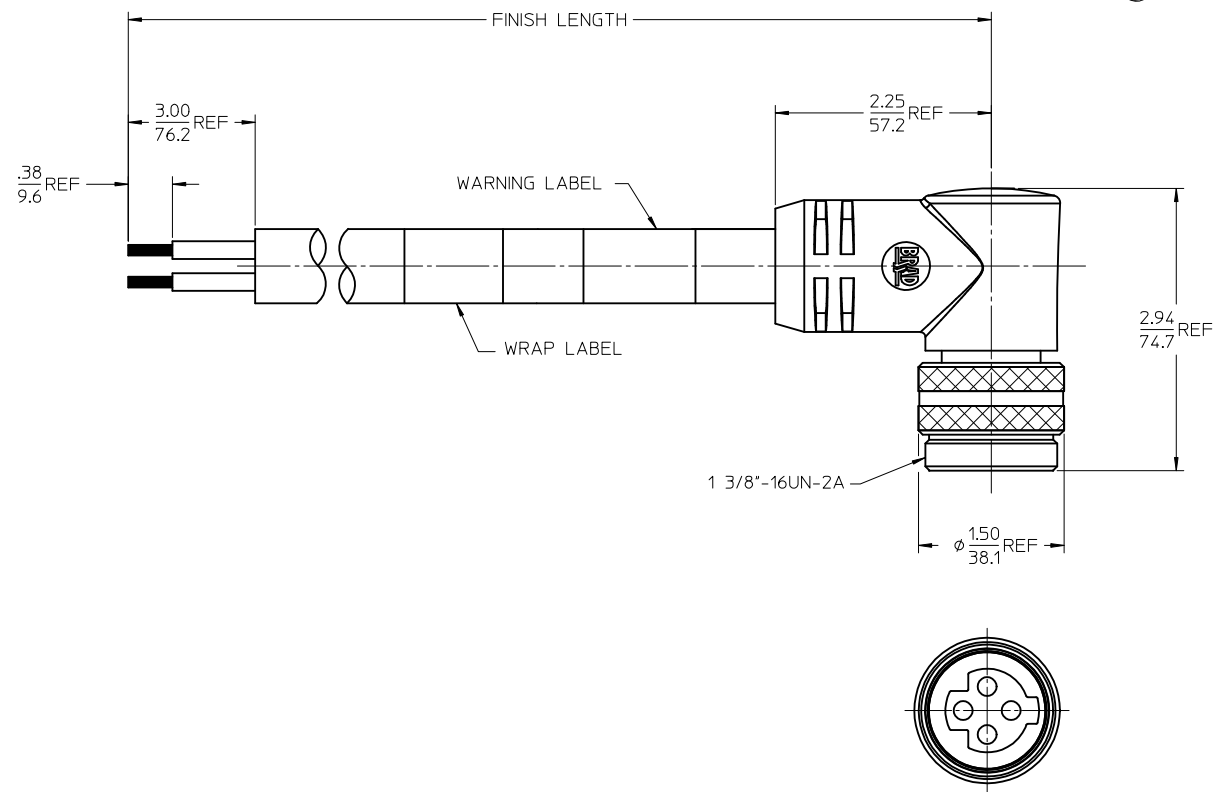
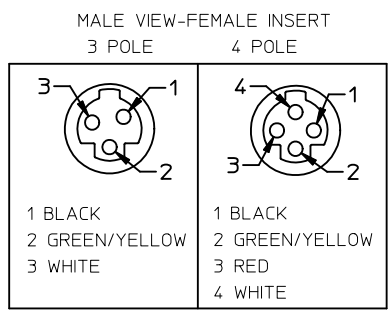
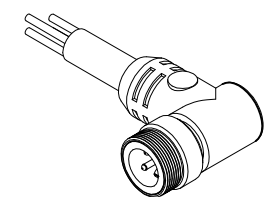


POLES	MATERIAL NO.	ENG. NO.	AMPS	LENGTH
3	1300630201	C03107A48M020	30	2M +89-0MM (6'7"+3.50-0)
4	1300630189	C04107A48M020	25	2M +89-0MM (6'7"+3.50-0)



SPECS:  
OVERMOLD: GRAY PVC  
INSERT: BLACK PVC  
COUPLING NUT: ANODIZED ALUMINUM  
CABLE: #10AWG GRAY PVC  
DUAL RATED UL TC/OPEN WIRING & STOOV  
ELECTRICAL: 600V AC/DC

CREATE DOC EC NO: WNAZ010-0435 DRWN:BRUPERT 2010/01/14 CHKD:WOODMAN 2010/01/15 APPR: JFMURPHY 2010/01/15	QUALITY SYMBOLS ▽=0 ▽=0	GENERAL TOLERANCES (UNLESS SPECIFIED)		DIMENSION STYLE IN/MM	SCALE 1:2	DESIGN UNITS INCH	THIRD ANGLE PROJECTION						
		4 PLACES ± --- ± ---	3 PLACES ± --- ± ---	2 PLACES ± --- ± ---	1 PLACE ± --- ± ---	DRAWN BY B. RUPERT	DATE 01/12/2010	CHECKED BY B. WOODMAN	DATE 01/12/2010	APPROVED BY JFMURPHY	DATE 2010/01/15	MOLEX INCORPORATED	DOCUMENT NO. SD-130063-201
DRAFT WHERE APPLICABLE MUST REMAIN WITHIN DIMENSIONS		ANGULAR ±1/2°		SEE CHART	THIS DRAWING CONTAINS INFORMATION THAT IS PROPRIETARY TO MOLEX INCORPORATED AND SHOULD NOT BE USED WITHOUT WRITTEN PERMISSION								