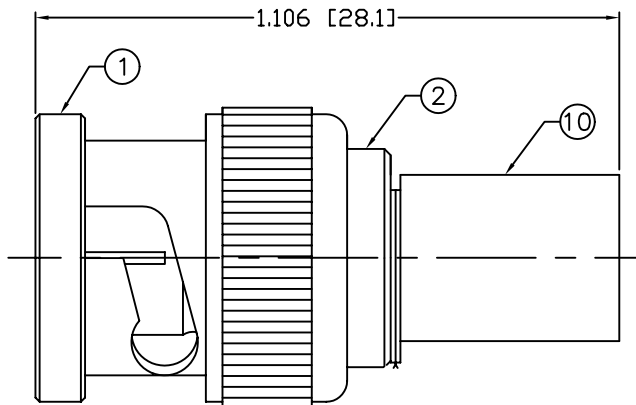


THIS DRAWING CONTAINS INFORMATION PROPRIETARY TO RF INDUSTRIES,  
 ANY UNAUTHORIZED USE OF THIS DRAWING IS EXPRESSLY PROHIBITED  
 WITHOUT WRITTEN PERMISSION FROM RF INDUSTRIES.  
 ANY VIOLATION IS PUNISHABLE UNDER U.S. COPYRIGHT LAWS.

ALL DIMENSIONS ARE REFERENCE ONLY

PART NO. <b>RFB-1150-2-1W</b>				
REV	DESCRIPTION	DWN	DATE	APPROVED
-	ENGINEERING RELEASE	CZS	11/3/05	JDMc



**SPECIFICATIONS:**

IMPEDANCE: 50 Ohms  
 RESISTOR: .5 WATT @ ±5%  
 TEMPERATURE RANGE: -65°C TO 85°C  
 INSULATION RESISTANCE: 5k M Ohms min.

1	SHELL	1	BRASS	SILVER, 80 μ <sup>m</sup>
2	BODY	1	BRASS	SILVER, 80 μ <sup>m</sup>
3	INSULATOR	1	PTFE	----
4	GASKET	1	RUBBER	----
5	RETAINING RING	1	BRASS	SILVER, 80 μ <sup>m</sup>
6	SPRING	1	SK5	----
7	WASHER	1	BRASS	SILVER, 80 μ <sup>m</sup>
8	PIN	1	BRASS	GOLD, 3 μ <sup>m</sup>
9	RESISTOR	1	METAL FILM	.5 W
10	COVER	1	BRASS	SILVER, 80 μ <sup>m</sup>
11				
12				
13				

008974	
DRAWN JDMc	11/3/05
CHECKED	
ORJ DRAWN C. ZUNIGA	11/17/04

UNLESS OTHERWISE SPECIFIED:  
 1. REMOVE ALL BURRS  
 2. BREAK ALL CORNERS & EDGES .005 R. MAX.  
 3. CHAMFER 1ST & LAST THREADS 45°  
 4. SURFACE ROUGHNESS 63 FINISH MIL-STD-10  
 5. DIAMETERS ON COMMON CENTERS TO BE CONCENTRIC WITHIN .002 T.I.R.  
 6. ALL DIMENSIONS ARE AFTER PLATING.

DIMENSIONS ARE IN INCHES AND [MILLIMETERS]  
 UNLESS OTHERWISE NOTED TOLERANCES ARE:  
 DECIMALS      DIAMETER  
 .XXX±.003 [.08]      .XXX±.001 [.03]  
 .XX±.005 [.13]      .XX±.003 [.08]

**RFconnectors**  
 DIVISION OF RF INDUSTRIES, LTD.

7610 MIRAMAR RD  
 SAN DIEGO, CA 92126  
 (858) 549-6340  
 (858) 549-6345 FAX

**BNC PLUG TERMINATOR**  
 50 Ohm RESISTOR, 1 WATT

SIZE A	CABLE GROUP N/A	DWG NO. RFB-1150-2-1W	REV -
SCALE: NTS		CAD FILE OUTLINE	SHEET 1 OF 1