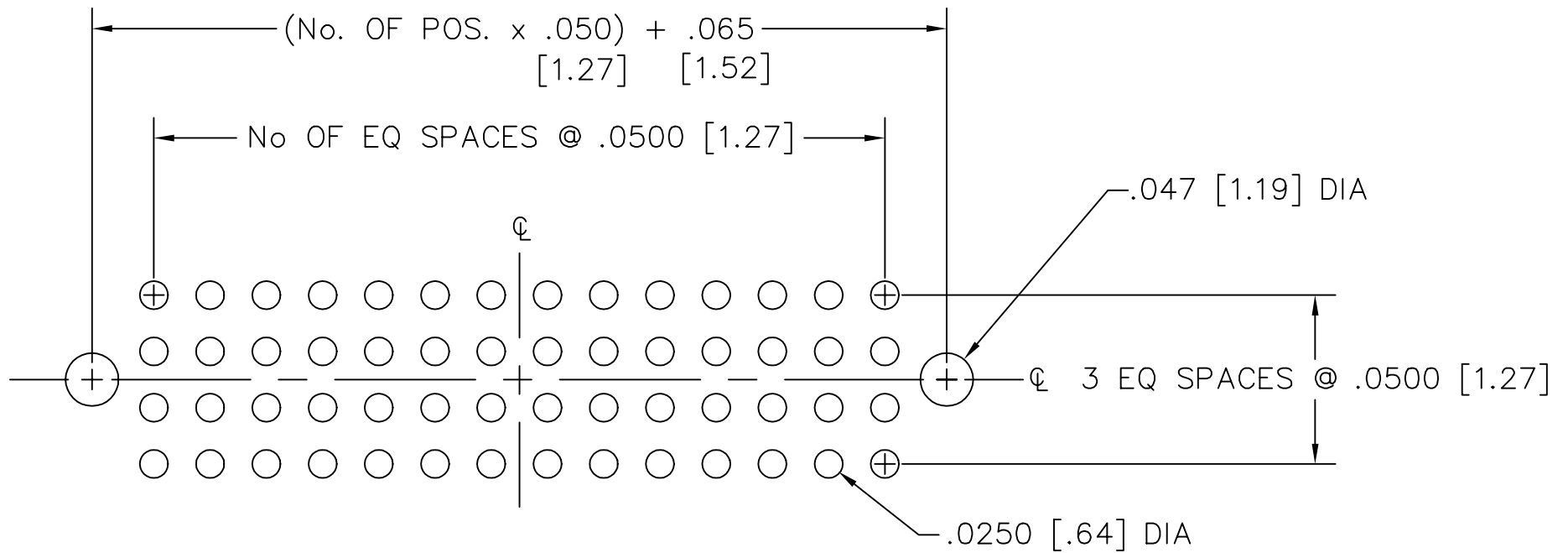


# RECOMMENDED BOARD LAYOUT FOR MOLC (QUAD)

REV. L



PLOT SCALE: 1 = .1

**samtec**

MISC\MKTG\FOOTPRINT  
MOLC-TH

810 PROGRESS BLVD. NEW ALBANY, INDIANA 47150  
PHONE (812) 944-6733 P.O. BOX 1147