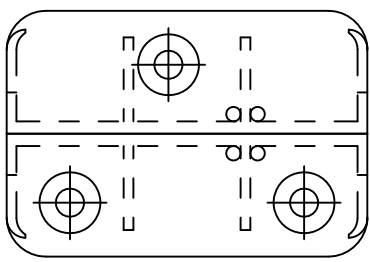
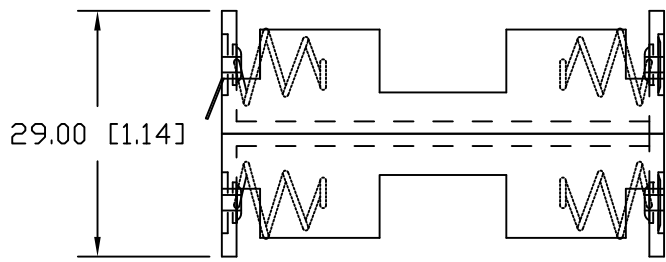
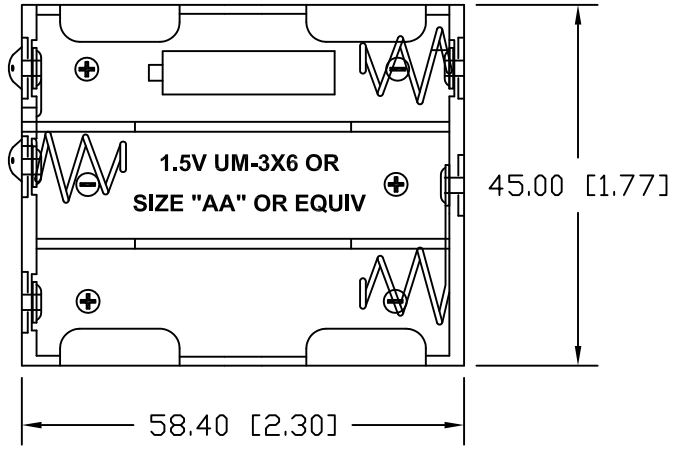



Date	SYM	REVISION RECORD	AUTH	DR.	CK.
10/10/14	D	REDRAWN AND UPDATED TO ROHS 2 COMPLIANT	T.B.	B.S.	
06/27/17	E	DIM. 45.00 WAS 46.37 DIM. 58.40 WAS 58.00	T.B.	B.S.	



1. MATERIAL:

HOUSING : BLACK POLYPROPYLENE
 FLAMMABILITY RATING -UL94-HB, UL FILE NO. E216959
 TEMPERATURE RANGE: -10°C to +100°C
 RIVETS: BRASS, NICKEL PLATED
 LUGS: BRASS, NICKEL PLATED
 SPRING: SPRING STEEL, NICKEL PLATED
 CONTACT RESISTANCE: UNDER 50mΩ FOR +/- CONTACTS PER EIA-540J000

ROHS 2 COMPLIANT.

Tolerance (Inches)	 Memory Protection Devices, Inc 200 Broad Hollow Road, Farmingdale, New York 11735		
Decimal ±.5 (.020)		Scale	Drawn By B.S.
Fractional ±.8 (.030)	Title 6 "AA" BATTERY HOLDER WITH SOLDER LUGS		
Angular ± 3°	Date 06/27/17	Drawing Number BH26AAL	
		Approved By T.B.	