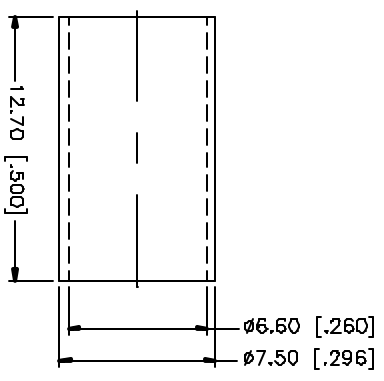
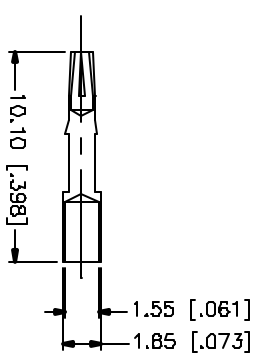
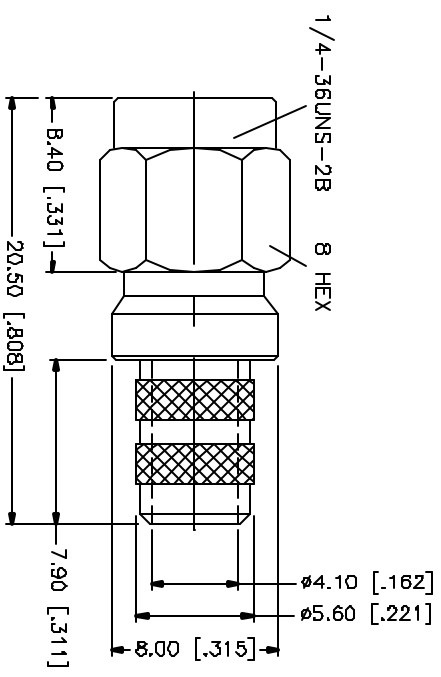
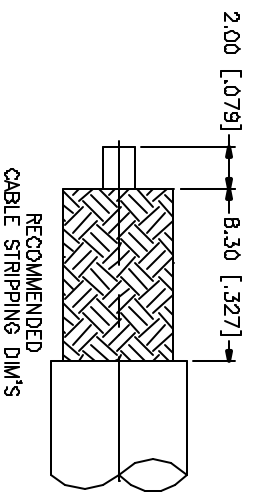


REV.	DATE	DESCRIPTION
NC	07/09/99	INITIAL RELEASE
A	05/01/04	UPDATE DRAWING FORMAT



VALUES DERIVED FROM THE FOLLOWING STANDARDS ARE TO BE USED UNLESS OTHERWISE SPECIFIED:
 UNLESS OTHERWISE SPECIFIED:
 TOLERANCES FOR UNLINED ARE:
 0.3 - 8mm ± 0.20mm
 8 - 30mm ± 0.40mm
 30 - 120mm ± 0.50mm
 UNLESS OTHERWISE SPECIFIED:
 TOLERANCES FOR HATCHED ARE:
 .020 - .315 ± 0.007"
 .315 - 1.180 ± 0.015"
 1.180 - 4.724 ± 0.020"

QTY	FINISH	MATERIAL	DESCRIPTION
1	GOLD	COPPER	FERRULE
1	GOLD	BER. COPPER	CONTACT PIN
1	GOLD	BRASS	SHELL/BODY

DO NOT SCALE DRAWING

APPROVALS	DATE
DRWN G.R.S.	05/01/04
CHECKED	
ISSUED	
SHEET 1 OF 1	

Amphenol Connex

SMA REVERSE POLARITY CRIMP PLUG
(FOR BELDEN RG-8/X, TIMES LMR-240MA)

PART NO. **132231RP**

DWG. NO. 132231RP.DWG REV. A SIZE A SCALE NA