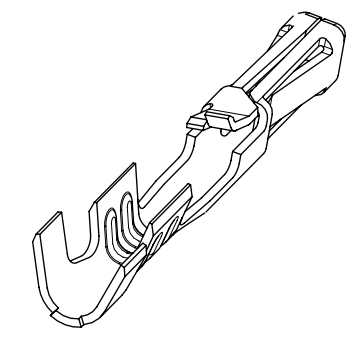


- NOTES:
- MATERIAL: PHOSPHOR BRONZE
 - PLATING:
 - 124 = SELECT BRIGHT TIN: 3.75 MICROMETERS MIN OVER NICKEL
 - P124 = PREPLATED BRIGHT TIN: 3.75 MICROMETERS MIN OVER MATTE NICKEL (BARE EDGES)
 - 207 = SELECT HARD GOLD: 0.38 MICROMETERS MIN.
SELECT TIN: 2.0 MICROMETERS MIN BOTH OVER NICKEL
 - 206 = SELECT HARD GOLD: 0.75 MICROMETERS MIN.
SELECT TIN: 2.0 MICROMETERS MIN BOTH OVER NICKEL
 - PRODUCT SPECIFICATION: TERMINALS CONFORM TO PS-70058 AND PS-70400 WHEN CRIMPED WITH MOLEX CRIMP TOOLS.
 - COSMETIC SPECIFICATION: PS-45499-002 CLASS B
 - TERMINAL FOR USE WITH HOUSING SERIES 70066 AND 70450
 - WIRE SPECIFICATION: TERMINALS STAMPED WITH THE LETTER:
A = ACCEPTS 24-30 AWG STRANDED WIRE WITH A 1.52 MAX INSULATION DIA
 - SEE 700580000-SD FOR THIS PART WITH SINGLE NUMBER SYSTEM

TERMINALS ON THIS SHEET ARE FOR USE WITH 24-30 AWG WIRE. SEE SHEETS 2 AND 3 FOR OTHER WIRE SIZES

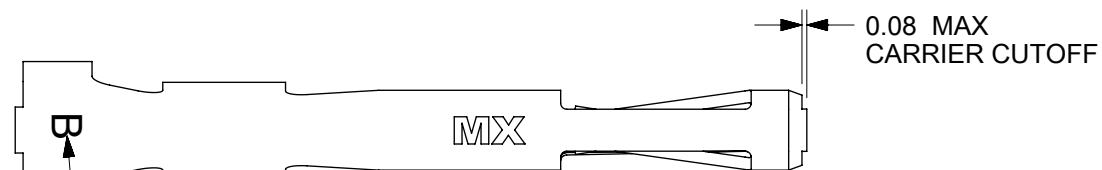
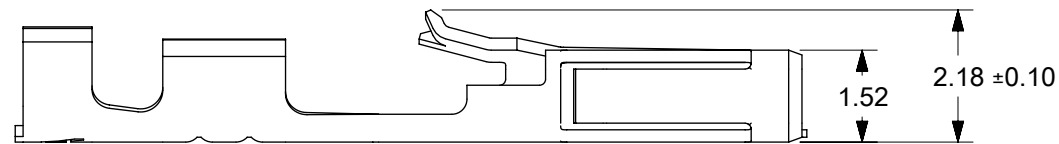
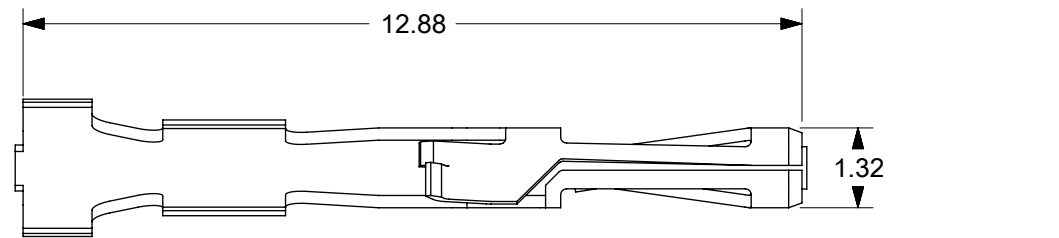


(24-30 AWG WIRE)

PART NUMBER / ENGINEERING NO	PACKAGING	PLATING SEE NOTE 2	WIRE SIZE	MAX INSULATION DIA
16-02-0069 70058-0004	REEL	124 SELECT TIN	24-30 AWG	1.52 DIA MAX
16-02-0096 70058-0204	LOOSE			
16-02-0082 70058-0006	REEL	207 0.38 GOLD		
16-02-0097 70058-0206	LOOSE			
16-02-0083 70058-0008	REEL	206 0.75 GOLD		
16-02-0098 70058-0208	LOOSE			

THIS DRAWING CONTAINS INFORMATION THAT IS PROPRIETARY TO MOLEX ELECTRONIC TECHNOLOGIES, LLC AND SHOULD NOT BE USED WITHOUT WRITTEN PERMISSION

DIMENSION UNITS mm	SCALE 8:1	CURRENT REV DESC: OBSOLETE PART NUMBER AS PER PCN#508517	molex		
GENERAL TOLERANCES (UNLESS SPECIFIED)		EC NO: 667105			
ANGULAR TOL ± °		DRWN: SUGEEB 2021/05/27	PRODUCT CUSTOMER DRAWING		
4 PLACES ±		CHK'D: GGA 2021/06/29	DOCUMENT NUMBER		
3 PLACES ±		APPR: GGA 2021/06/29	700580001-SD		
2 PLACES ± 0.15		INITIAL REVISION:	DOC TYPE	DOC PART	REVISION
1 PLACE ± 0.25		DRWN: KSAMIEC 2018/07/23	PSD	000	B1
0 PLACES ± 0.0		APPR: FSMITH 2018/08/27	SHEET NUMBER		
DRAFT WHERE APPLICABLE MUST REMAIN WITHIN DIMENSIONS	THIRD ANGLE PROJECTION	DRAWING	MATERIAL NUMBER	CUSTOMER	
		B-SIZE	SEE TABLE	GENERAL MARKET	1 OF 4
		SERIES	70058		



TERMINALS STAMPED WITH THE LETTER "B"
ACCEPT 32-36 AWG WIRE WITH A 0.64 MAX INSULATION DIA

NOTES:

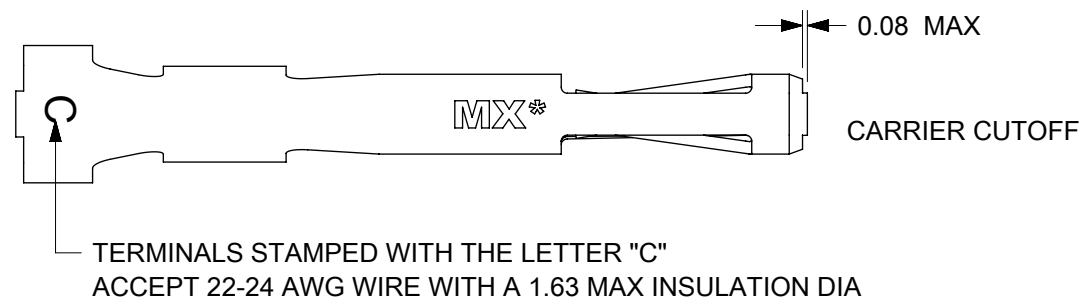
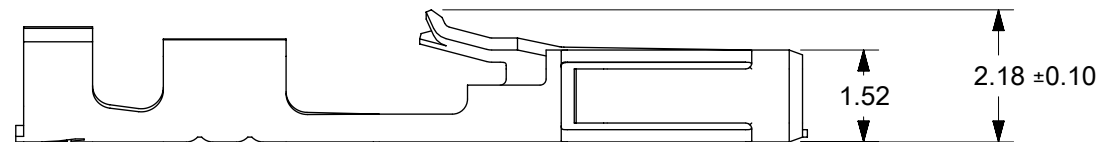
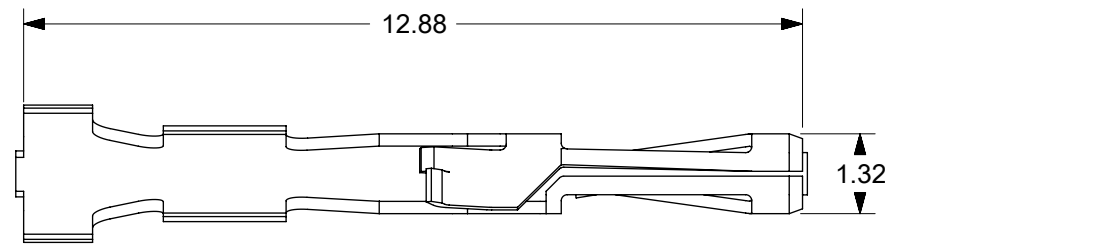
- MATERIAL: PHOSPHOR BRONZE
- PLATING:
207 = SELECT HARD GOLD: 0.38 MICROMETERS MIN.
SELECT TIN: 2.0 MICROMETERS MIN BOTH OVER NICKEL
206 = SELECT HARD GOLD: 0.75 MICROMETERS MIN.
SELECT TIN: 2.0 MICROMETERS MIN BOTH OVER NICKEL
- PRODUCT SPECIFICATION: TERMINALS CONFORM TO PS-70058 AND PS-70400 WHEN CRIMPED WITH MOLEX CRIMP TOOLS.
- COSMETIC SPECIFICATION: PS-45499-002 CLASS B
- TERMINAL FOR USE WITH HOUSING SERIES 70066 AND 70450
- WIRE SPECIFICATION: TERMINALS STAMPED WITH THE LETTER:
B = ACCEPTS 32-36 AWG STRANDED WIRE WITH A 0.64 MAX INSULATION DIA.

TERMINALS ON THIS SHEET ARE FOR USE
WITH 32-36 AWG WIRE.
SEE SHEETS 1 AND 3 FOR OTHER WIRE SIZES

PART NUMBER / ENGINEERING NO	PACKAGING	PLATING SEE NOTE 2	WIRE SIZE	MAX INSULATION DIA
16-02-0074 70058-0015	REEL	207 0.38 GOLD	32-36	0.64 DIA MAX
16-02-0085 70058-0017	REEL	206 0.75 GOLD		
16-02-0101 70058-0217	LOOSE			

(32-36 AWG WIRE)

THIS DRAWING CONTAINS INFORMATION THAT IS PROPRIETARY TO MOLEX ELECTRONIC TECHNOLOGIES, LLC AND SHOULD NOT BE USED WITHOUT WRITTEN PERMISSION									
DIMENSION UNITS	SCALE	CURRENT REV DESC: OBSOLETE PART NUMBER AS PER PCN#508517							
mm	8:1								
GENERAL TOLERANCES (UNLESS SPECIFIED)		EC NO: 667105			SL CRIMP TERMINAL				
ANGULAR TOL ± °		DRWN: SUGEEB 2021/05/27							
4 PLACES ±		CHK'D: GGA 2021/06/29			PRODUCT CUSTOMER DRAWING				
3 PLACES ±		APPR: GGA 2021/06/29							
2 PLACES ± 0.15		INITIAL REVISION:			DOCUMENT NUMBER				
1 PLACE ± 0.25		DRWN: KSAMIEC 2018/07/23							
0 PLACES ± 0.0		APPR: FSMITH 2018/08/27			700580001-SD				
DRAFT WHERE APPLICABLE MUST REMAIN WITHIN DIMENSIONS		THIRD ANGLE PROJECTION							
		DRAWING			SEE TABLE				
		SERIES							
		B-SIZE 70058			2 OF 4				
		MATERIAL NUMBER							
		CUSTOMER							
		SHEET NUMBER							



NOTES:

- MATERIAL: PHOSPHOR BRONZE
- PLATING:
 - 124 = SELECT BRIGHT TIN: 3.75 MICROMETERS MIN OVER NICKEL
 - P124 = PREPLATED BRIGHT TIN: 3.75 MICROMETERS MIN OVER MATTE NICKEL (BARE EDGES)
 - 207 = SELECT HARD GOLD: 0.38 MICROMETERS MIN.
SELECT TIN: 2.0 MICROMETERS MIN BOTH OVER NICKEL
 - 206 = SELECT HARD GOLD: 0.75 MICROMETERS MIN.
SELECT TIN: 2.0 MICROMETERS MIN BOTH OVER NICKEL
- PRODUCT SPECIFICATION: TERMINALS CONFORM TO PS-70058 AND PS-70400 WHEN CRIMPED WITH MOLEX CRIMP TOOLS.
- COSMETIC SPECIFICATION: PS-45499-002 CLASS B
- TERMINAL FOR USE WITH HOUSING SERIES 70066 AND 70450
- WIRE SPECIFICATION: TERMINALS STAMPED WITH THE LETTER:
C = ACCEPTS 22-24 AWG STRANDED WIRE WITH A 1.63 MAX INSULATION DIA

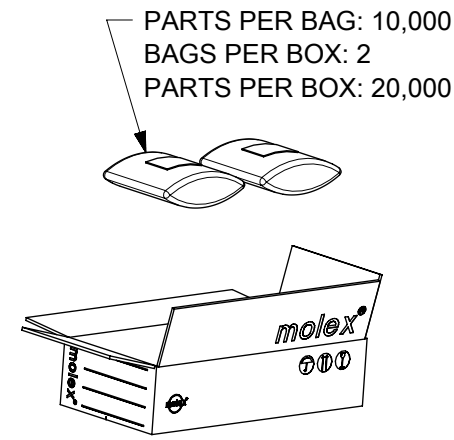
TERMINALS ON THIS SHEET ARE FOR USE WITH 22-24 AWG WIRE.
SEE SHEETS 1 AND 2 FOR OTHER WIRE SIZES

PART NUMBER / ENGINEERING NO:	PACKAGING	PLATING SEE NOTE 2	WIRE SIZE	MAX INSULATION DIA
16-02-0086 70058-0022	REEL	124 SELECT TIN	22-24 AWG	1.63 DIA MAX
16-02-0102 70058-0222	LOOSE			
70058-4086	REEL	124 OVERALL TIN		
16-02-0087 70058-0024	REEL	207 0.38 GOLD		
16-02-0103 70058-0224	LOOSE			
16-02-0088 70058-0026	REEL	206 0.75 GOLD		
16-02-0104 70058-0226	LOOSE			

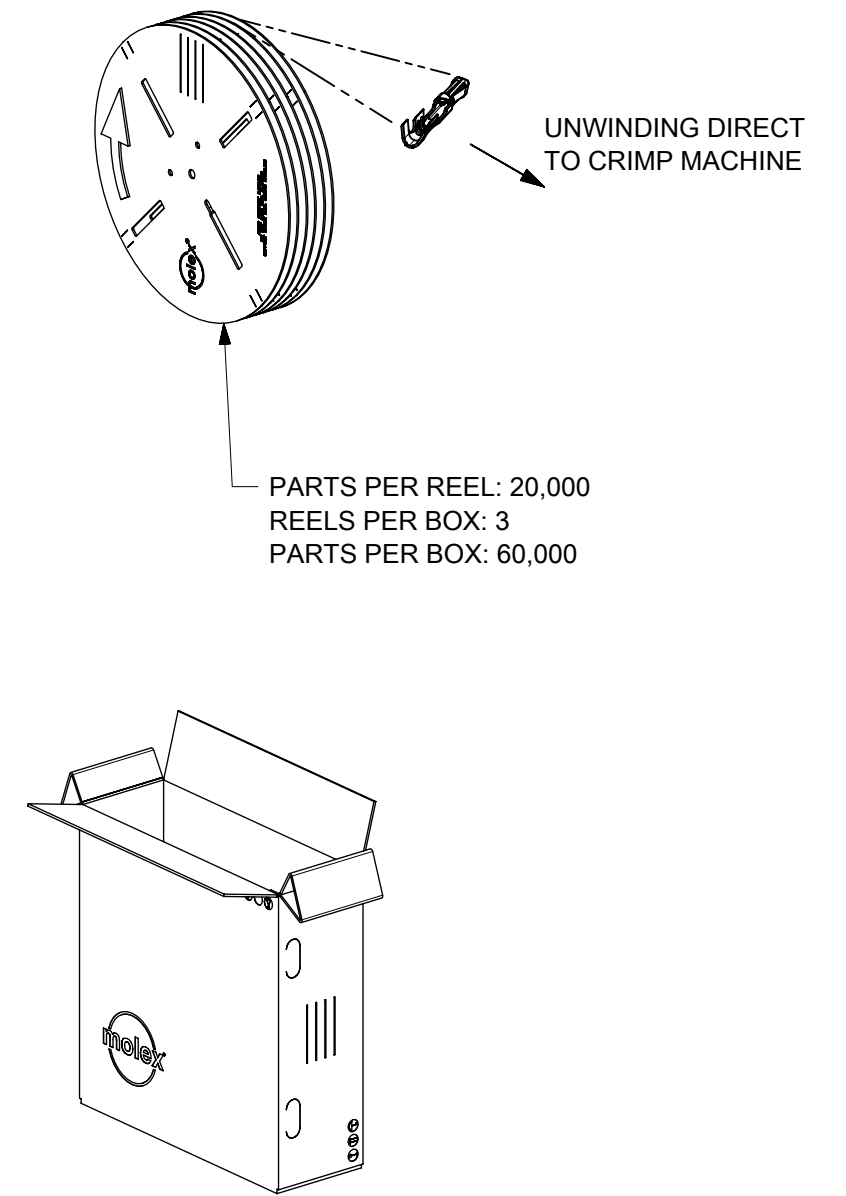
(22-24 AWG WIRE)

THIS DRAWING CONTAINS INFORMATION THAT IS PROPRIETARY TO MOLEX ELECTRONIC TECHNOLOGIES, LLC AND SHOULD NOT BE USED WITHOUT WRITTEN PERMISSION									
DIMENSION UNITS	SCALE	CURRENT REV DESC: OBSOLETE PART NUMBER AS PER PCN#508517							
mm	8:1								
GENERAL TOLERANCES (UNLESS SPECIFIED)		EC NO: 667105			SL CRIMP TERMINAL				
ANGULAR TOL ± °		DRWN: SUGEEB 2021/05/27							
4 PLACES ±		CHK'D: GGA 2021/06/29			PRODUCT CUSTOMER DRAWING				
3 PLACES ±		APPR: GGA 2021/06/29							
2 PLACES ± 0.15		INITIAL REVISION:			DOCUMENT NUMBER				
1 PLACE ± 0.25		DRWN: KSAMIEC 2018/07/23							
0 PLACES ± 0.0		APPR: FSMITH 2018/08/27			700580001-SD				
DRAFT WHERE APPLICABLE MUST REMAIN WITHIN DIMENSIONS		THIRD ANGLE PROJECTION	DRAWING	SERIES					
			B-SIZE	70058	SEE TABLE	GENERAL MARKET	PSD	000	B1
									SHEET NUMBER
									3 OF 4

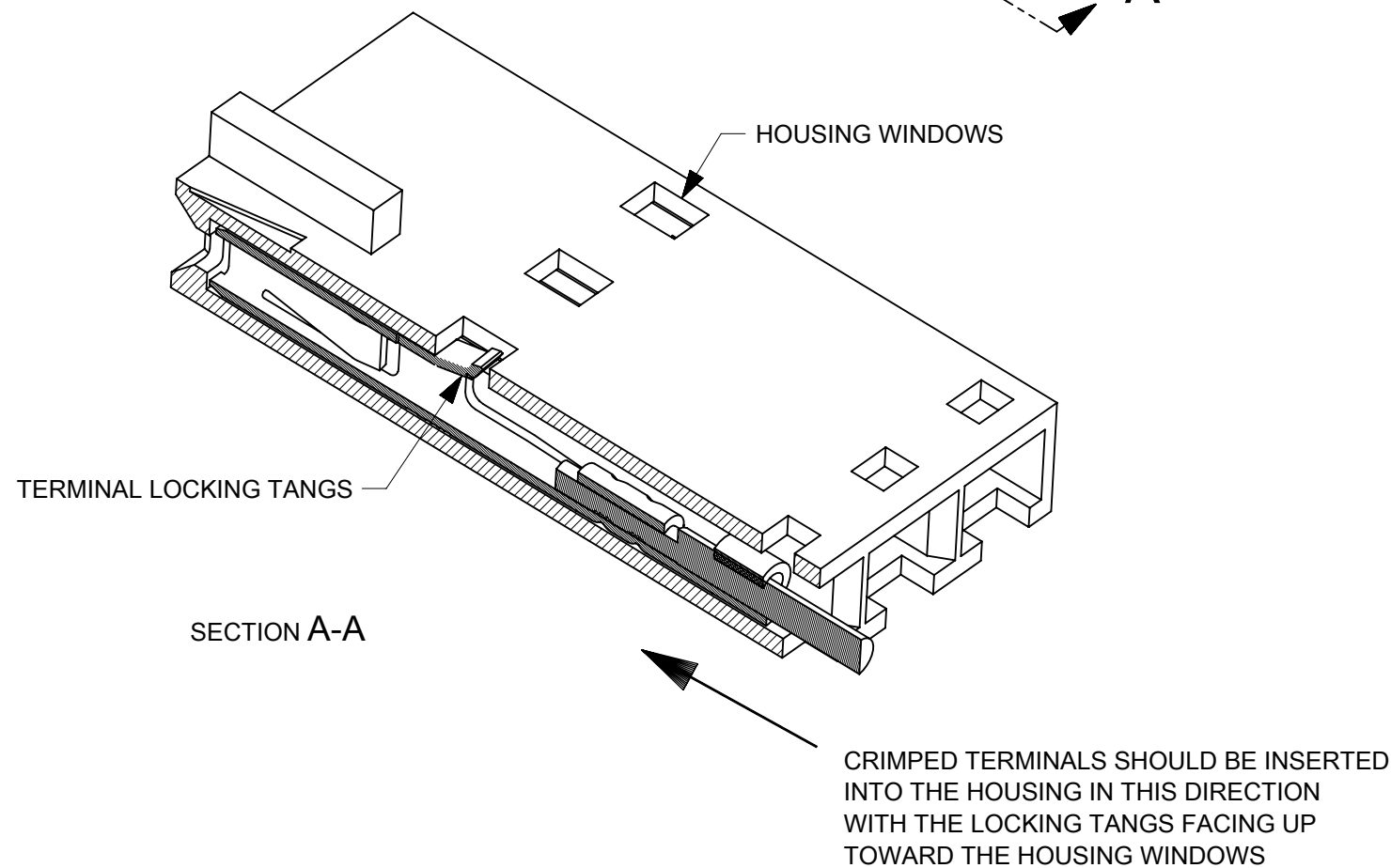
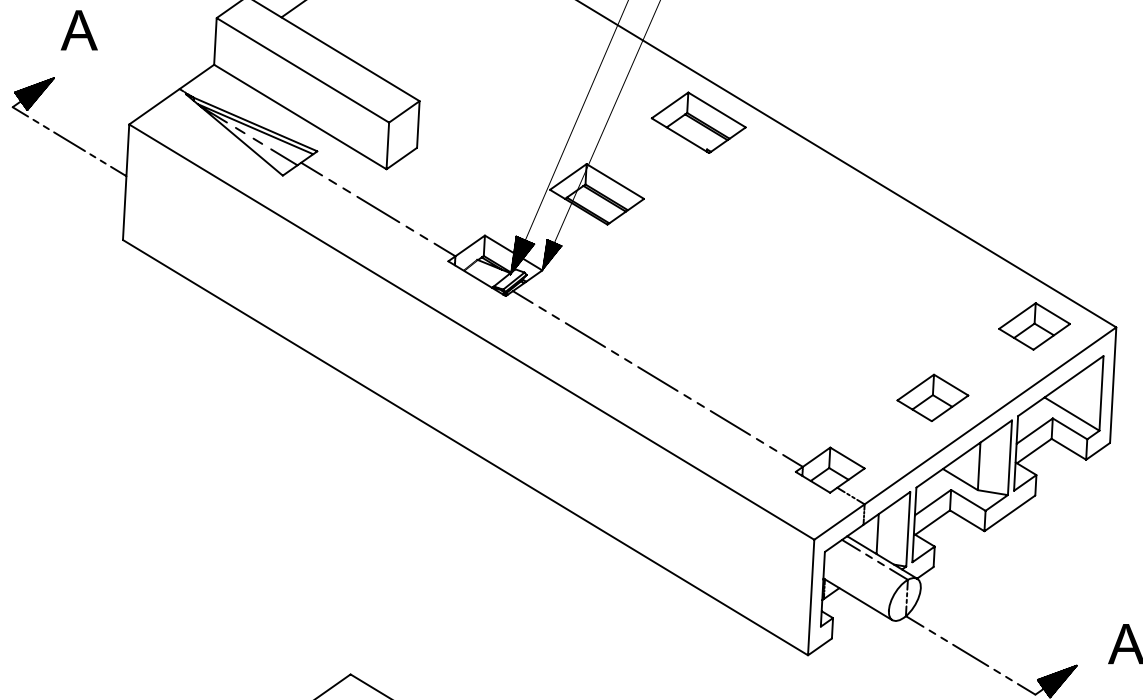
LOOSE PACKED



REEL PACKED



WHEN TERMINALS ARE FULLY INSERTED INTO THE HOUSINGS. THE TERMINAL'S LOCKING TANG SHOULD BE VISABLE IN THE HOUSING'S WINDOWS



THIS DRAWING CONTAINS INFORMATION THAT IS PROPRIETARY TO MOLEX ELECTRONIC TECHNOLOGIES, LLC AND SHOULD NOT BE USED WITHOUT WRITTEN PERMISSION									
DIMENSION UNITS	SCALE	CURRENT REV DESC: OBSOLETE PART NUMBER AS PER PCN#508517				molex			
mm	1:15								
GENERAL TOLERANCES (UNLESS SPECIFIED)		EC NO: 667105				SL CRIMP TERMINAL			
ANGULAR TOL	± °	DRWN: SUGEEB 2021/05/27							
4 PLACES	±	CHK'D: GGA 2021/06/29				PRODUCT CUSTOMER DRAWING			
3 PLACES	±	APPR: GGA 2021/06/29							
2 PLACES	± 0.15	INITIAL REVISION:				DOCUMENT NUMBER			
1 PLACE	± 0.25	DRWN: KSAMIEC 2018/07/23				700580001-SD			
0 PLACES	± 0.0	APPR: FSMITH 2018/08/27				PSD 000 B1			
DRAFT WHERE APPLICABLE MUST REMAIN WITHIN DIMENSIONS		THIRD ANGLE PROJECTION	DRAWING	SERIES	MATERIAL NUMBER	CUSTOMER	SHEET NUMBER		
			B-SIZE	70058	SEE TABLE	GENERAL MARKET	4 OF 4		