

THIS DRAWING IS UNPUBLISHED. RELEASED FOR PUBLICATION 20
 © COPYRIGHT 20 BY - ALL RIGHTS RESERVED.

REVISIONS					
P	LTR	DESCRIPTION	DATE	DWN	APVD
B		ECR-16-010100	14JUL2016	L.Z	X.X
B1		ECR-18-008476	08JUN2018	G.W	C.W
B2		ECR-18-009727	22JUN2018	G.W	C.W
C		ECR-19-009136	20JUL2019	C.D	C.W

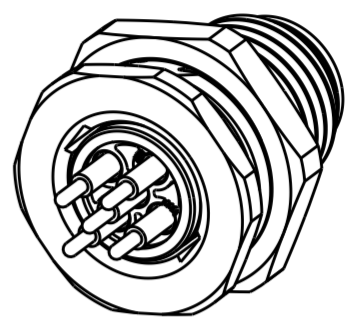
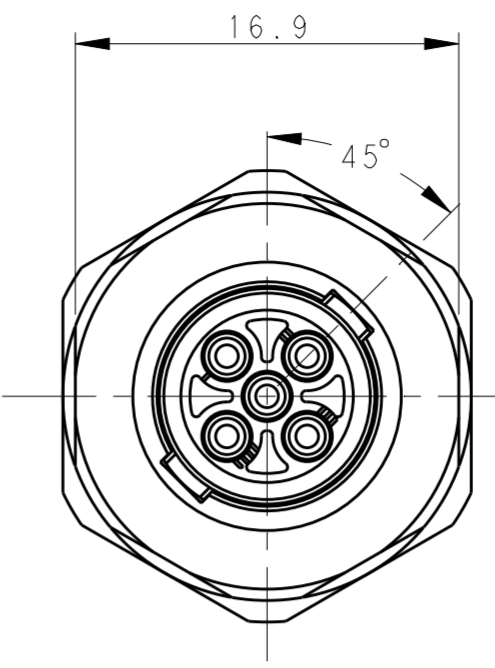
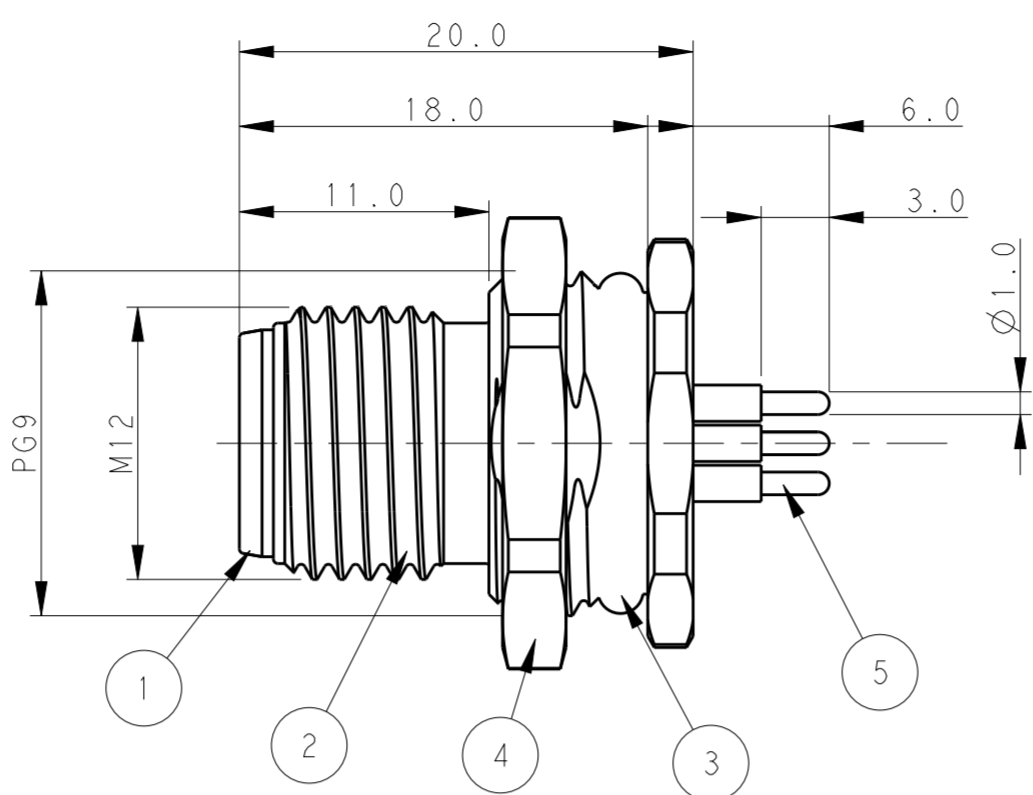
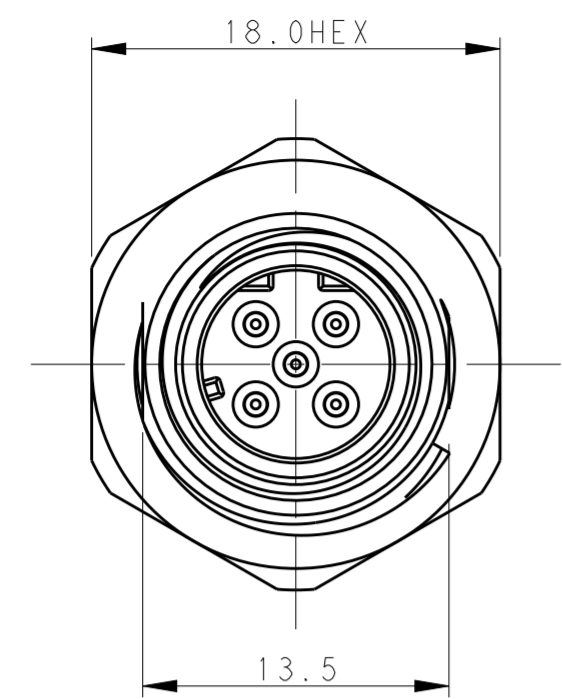
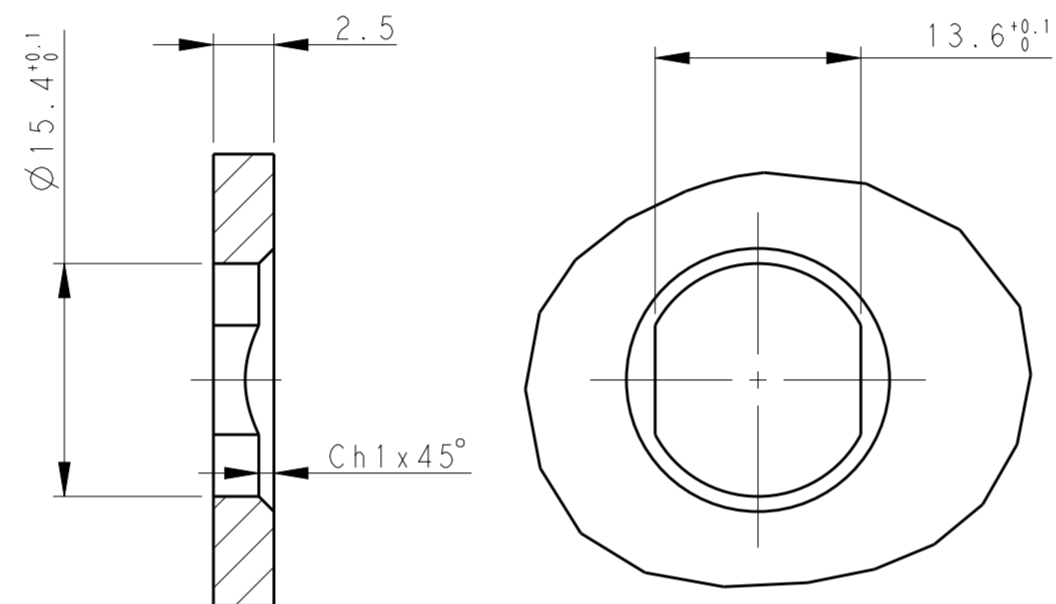


TABLE 1

TECHNICAL DATA	T4140512021-000	T4140512031-000	T4140512041-000	T4140512051-000
RATED VOLTAGE	250V	250V	250V	60V
RATED CURRENT	4A	4A	4A	4A
POLLUTION DEGREE	3	3	3	3
OVERVOLTAGE CATEGORY	II	II	II	II
MATERIAL GROUP	II	II	II	II
CONTACT RESISTANCE	<=10mΩ	<=10mΩ	<=10mΩ	<=10mΩ
INSULATION RESISTANCE	>100MΩ	>100MΩ	>100MΩ	>100MΩ
DEGREE OF PROTECTION	IP67	IP67	IP67	IP67
OPERATION TEMPERATURE	-40~85°C	-40~85°C	-40~85°C	-40~85°C



RECOMMENDED PANEL CUTOUT

- NOTE:
 1. TECHNICAL DATA: SEE TABLE 1
 2. RECOMMENDED MOUNT PANEL SEE DETAIL
 3. PRODUCT COMPLIES WITH IEC61076-2-101
 4. ALL MATERIALS TO BE ROHS COMPLIANT
 5. ALL MATERIALS TO BE REACH COMPLIANT
 6. PN INFORMATION FOR ASSEMBLY PARTS

- 注释:
 1: 技术参数, 见表1
 2: 推荐开孔尺寸详见如图所示
 3: 产品符合标准 IEC61076-2-101
 4: 所有材料符合ROHS参照标准TEC-138-705
 5: 所有材料符合REACH参照标准TEC-138-705
 6: 成品料号信息如下:

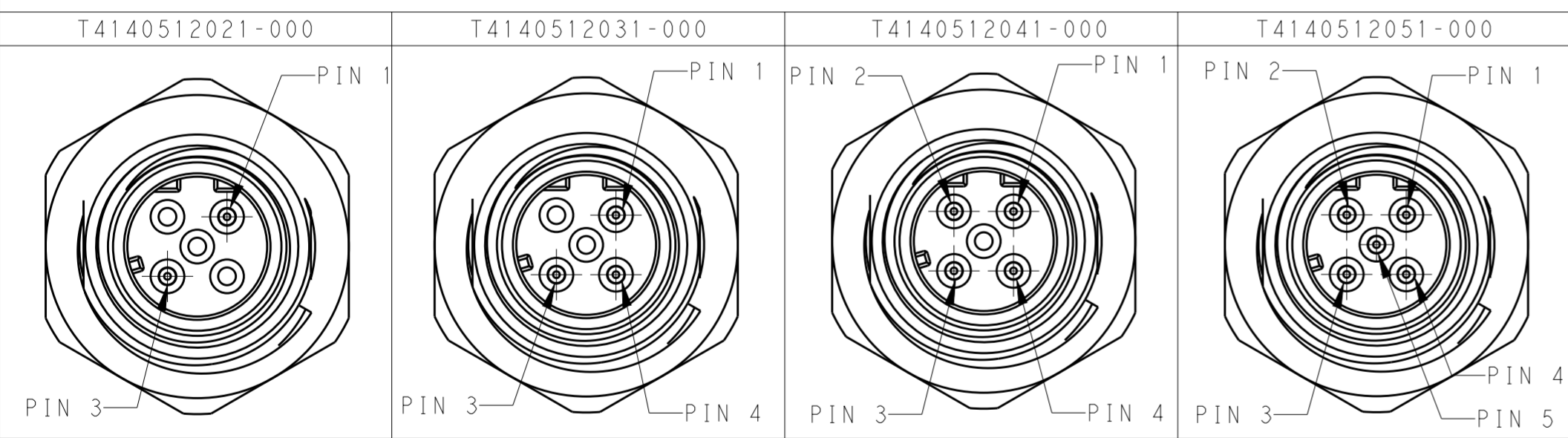
T41405120X1-000

- CONTACT FINISH:
 1: GOLD 3u''
 NUMBER OF PINS:
 02: 2 PINS
 03: 3 PINS
 04: 4 PINS
 05: 5 PINS

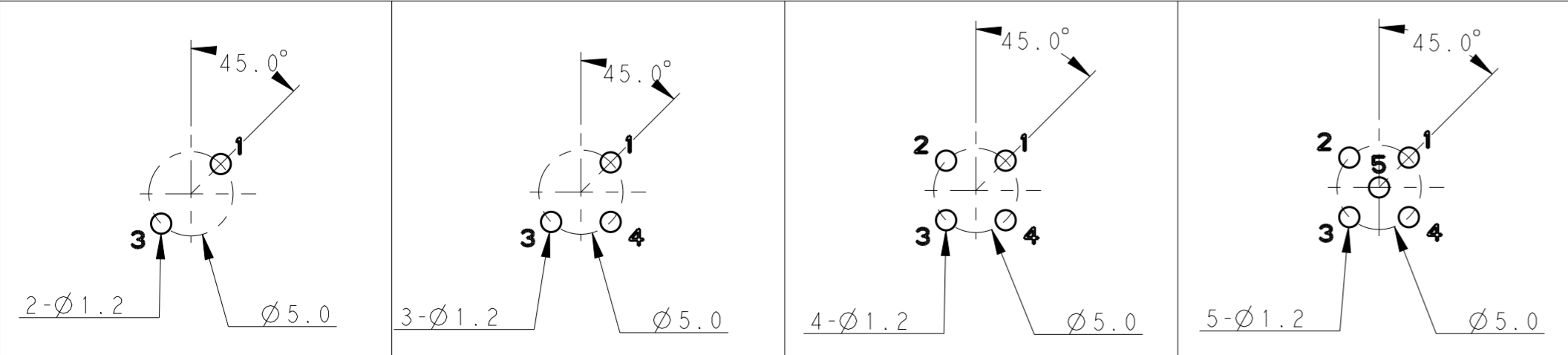
T41405120X1-000

- 端子电镀:
 1: 3u''全
 针数:
 02: 2 针
 03: 3 针
 04: 4 针
 05: 5 针

PIN ARRANGEMENT D-CODE



RECOMMENDED DRILLING DIAGRAM



T4140512021-000	RPC-M12D-MF-2CON-PG9-LBU
T4140512031-000	RPC-M12D-MF-3CON-PG9-LBU
T4140512041-000	RPC-M12D-MF-4CON-PG9-LBU
T4140512051-000	RPC-M12D-MF-5CON-PG9-LBU
PART NUMBER	TYPE

PLATING	MATERIAL	DESCRIPTION	ITEM	2021-000	2031-000	2041-000	2051-000
3u'' GOLD PLATED	COPPER ALLOY	CONTACT		5	2	3	4
80u'' NICKEL PLATED	COPPER ALLOY	METAL NUT		4	1	1	1
BLACK	RUBBER	O-RING		3	1	1	1
80u'' NICKEL PLATED	COPPER ALLOY	M12, MALE, METAL BODY		2	1	1	1
-	PA66	M12, MALE HSG		1	1	1	1

THIS DRAWING IS A CONTROLLED DOCUMENT.		DWN BO GAO 01FEB2016	TE Connectivity	
		CHK KOBBY ZHAO 01FEB2016		
DIMENSIONS: mm		APVD XIANG XU 01FEB2016	NAME M12 PANEL MOUNT CONNECTOR D CODE, MALE, REAR MOUNTING PCB SOLDERING	
TOLERANCES UNLESS OTHERWISE SPECIFIED:		PRODUCT SPEC 108-106140	SIZE A2	
0 PLC ±		APPLICATION SPEC 114-137144	CAGE CODE -	
1 PLC ±0.2		WEIGHT -	DRAWING NO. C-T41405120X1000	
2 PLC ±0.2		CUSTOMER DRAWING	RESTRICTED TO -	
3 PLC ±0.2			SCALE 3:1 SHEET 1 OF 1 REV C	
4 PLC ±				
ANGLES FINISH				