

THIS DRAWING IS UNPUBLISHED.

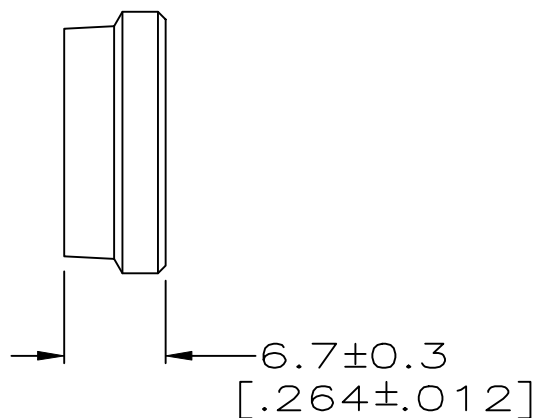
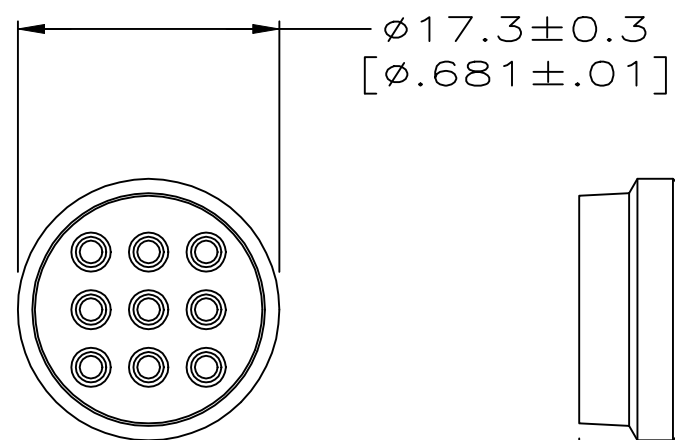
RELEASED FOR PUBLICATION

ALL RIGHTS RESERVED.

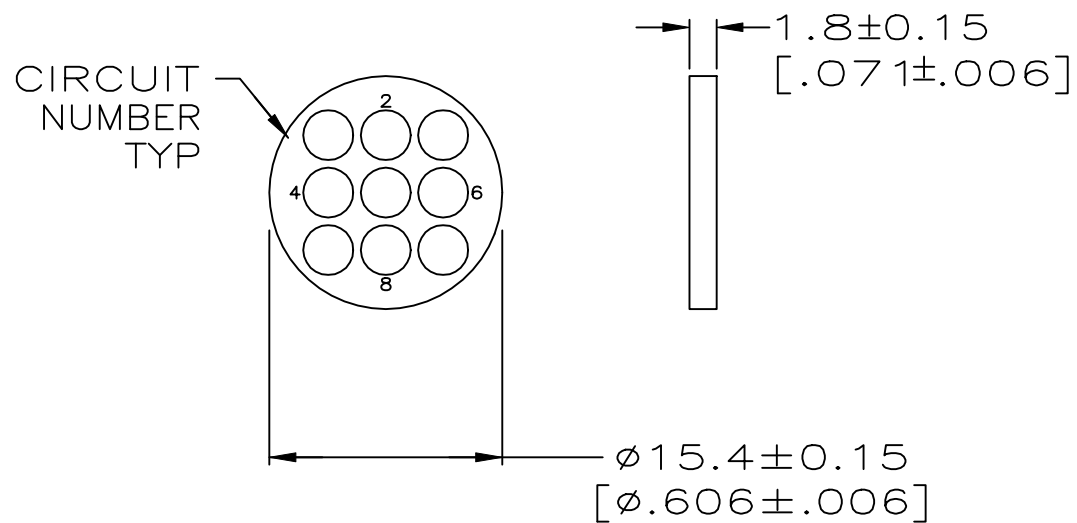
© COPYRIGHT - TE Connectivity Ltd.

REVISIONS

P	LTR	DESCRIPTION	DATE	DWN	APVD
	A	REV PER EC 0002-187-96	23FEB96	BC	AF
	B	REV PER ECR-18-000581	23JAN2018	RS	MZ



SEAL
MATERIAL: SILICON, BLACK
QTY=1



PRESSURE PLATE
MATERIAL: NYLON, BLACK
QTY=1

- FOR USE WITH SOCKET CONTACTS.
- INSULATION RANGE: $\phi 1.90$ [$\phi .075$] TO $\phi 2.54$ [$\phi .100$]

213925-1

PART NUMBER

THIS DRAWING IS A CONTROLLED DOCUMENT.

DWN W.G.LENKER 09 OCT 95

CHK R.STONE 11 OCT 95

APVD A.FRANTUN 11 OCT 95

PRODUCT SPEC

108-1579

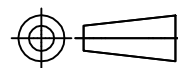
APPLICATION SPEC

WEIGHT

CUSTOMER DRAWING

DIMENSIONS:
mm [INCHES]

TOLERANCES UNLESS OTHERWISE SPECIFIED:



0 PLC ± -
1 PLC ± -
2 PLC ± -
3 PLC ± -
4 PLC ± -
ANGLES ± -

MATERIAL

SEE CALLOUTS

FINISH

-



TE Connectivity Ltd.

NAME
SEAL KIT, L.H.,
UNASSEMBLED, SIZE 13-9, CPC

SIZE	CAGE CODE	DRAWING NO	RESTRICTED TO
A3	00779	C=213925	-

SCALE	SHEET	REV
2:1	1 of 1	B