

# VFC-PT/FLK20/ET200SP - Interface module



1278788

<https://www.phoenixcontact.com/us/products/1278788>

Please be informed that the data shown in this PDF document is generated from our online catalog. Please find the complete data in the user documentation. Our general terms of use for downloads are valid.

VARIOFACE Front Connect, IDC/FLK termination board for the system cabling for the Siemens SIMATIC® ET 200SP with specific marking and Push-in front connections, number of positions: 20, overall width: 19 mm



## Your advantages

- Fast, clear, and error-free wiring, thanks to Push-in terminal blocks with front connection technology
- Up to 60 % less space required in the control cabinet compared to conventional solutions due to the innovative design with an installation width of 19 mm
- Plug and Play connection to the remote IO and field level with the comprehensive system cabling range from Phoenix Contact
- Optimum support for your distributed I/O devices, thanks to high flexibility and the slim design
- Optically and haptically compatible with modern remote IO systems

## Commercial data

Item number	1278788
Packing unit	1 pc
Minimum order quantity	1 pc
Sales key	C421
Product key	CK2187
GTIN	4063151476700
Weight per piece (including packing)	96 g
Weight per piece (excluding packing)	96 g
Customs tariff number	85366990
Country of origin	DE

# VFC-PT/FLK20/ET200SP - Interface module



1278788

<https://www.phoenixcontact.com/us/products/1278788>

## Technical data

### Notes

General	For proper use, the specifications of the installation directive (see Downloads) must be observed.
---------	--

### Product properties

Product type	Interface module
Number of positions	20
No. of channels	2
	4
	8
	16

### Insulation characteristics

Insulation	Functional insulation
------------	-----------------------

### Insulation characteristics: Air clearances and creepage distances

Insulation	Functional insulation
Overvoltage category	II
Pollution degree	2

### Electrical properties

No. of channels	24 8 16
Max. permissible operating voltage	30 V AC
	60 V DC
Max. permissible current	1 A (per branch)

### Air clearances and creepage distances

Rated insulation voltage	63 V
Rated surge voltage	0.8 kV (1.2/50 µs)

### Supported controller SIEMENS ET 200SP

Suitable I/O module	6ES7131-6BH01-0BA0 (Base Units A0/A1)
	6ES7131-6BH01-2BA0 (Base Units A0/A1)
	6ES7132-6BH01-0BA0 (Base Units A0/A1)
	6ES7132-6BH01-2BA0 (Base Units A0/A1)
	6ES7134-6GD01-0BA1 (Base Units A0/A1)
	6ES7134-6GD01-2BA1 (Base Units A0/A1)
	6ES7134-6HD01-0BA1 (Base Units A0/A1)
	6ES7134-6HD01-2BA1 (Base Units A0/A1)
	6ES7134-6TD00-0CA1 (Base Units A0/A1)
	6ES7134-6JD00-0CA1 (Base Units A0/A1)
	6ES7134-6JD00-2CA1 (Base Units A0/A1)
	6ES7134-6FF00-0AA1 (Base Units A0/A1)

# VFC-PT/FLK20/ET200SP - Interface module



1278788

<https://www.phoenixcontact.com/us/products/1278788>

	6ES7134-6GF00-0AA1 (Base Units A0/A1)
	6ES7134-6JF00-0CA1 (Base Units A0/A1)
	6ES7134-6JF00-2CA1 (Base Units A0/A1)
	6ES7134-6FB00-0BA1 (Base Units A0/A1)
	6ES7134-6GB00-0BA1 (Base Units A0/A1)
	6ES7134-6HB00-0CA1 (Base Units A0/A1)
	6ES7134-6HB00-0DA1 (Base Units A0/A1)
	6ES7135-6FB00-0BA1 (Base Units A0/A1)
	6ES7135-6GB00-0BA1 (Base Units A0/A1)
	6ES7135-6HB00-0CA1 (Base Units A0/A1)
	6ES7135-6HB00-0DA1 (Base Units A0/A1)
	6ES7135-6HD00-0BA1 (Base Units A0/A1)

## Connection data

### Controller level

Connection in acc. with standard	IEC 60603-13 DIN 41651
Connection method	IDC/FLK pin strip
Number of connections	1
Number of positions	20

### Field level

Connection method	Push-in connection
Stripping length	10 mm
Number of positions	20
Conductor cross section rigid	0.2 mm <sup>2</sup> ... 1.5 mm <sup>2</sup>
Conductor cross section flexible	0.2 mm <sup>2</sup> ... 2.5 mm <sup>2</sup> 0.25 mm <sup>2</sup> ... 1.5 mm <sup>2</sup> (Ferrules without plastic sleeve) 0.25 mm <sup>2</sup> ... 1.5 mm <sup>2</sup> (Ferrule with plastic sleeve)
Conductor cross section AWG	24 ... 16

## Signaling

Status display	No
Status display present	No

## Dimensions

Width	18.9 mm
Height	127.22274 mm
Depth	55.0171 mm
Width	18.9 mm
Height	127 mm
Depth	55 mm

## Material specifications

# VFC-PT/FLK20/ET200SP - Interface module



1278788

<https://www.phoenixcontact.com/us/products/1278788>

Flammability rating according to UL 94	V0
--	----

## Environmental and real-life conditions

### Ambient conditions

Degree of protection	IP20
Degree of protection (Installation location)	IP54 (Installation location)
Ambient temperature (operation)	-40 °C ... 70 °C (≤ 2000 m) -40 °C ... 63 °C (2001 m - 3000 m)
Altitude	≤ 3000 m

## Approvals

### UL, USA/Canada

Identification	UL 61010-2-201
----------------	----------------

### CSA, USA/Canada

Identification	CSA C22.2 NO. 61010-2-201
----------------	---------------------------

## Standards and regulations

### Air clearances and creepage distances

Standards/regulations	DIN EN 60664-1
-----------------------	----------------

## Mounting

Mounting type	DIN rail mounting
Mounting position	any

# VFC-PT/FLK20/ET200SP - Interface module

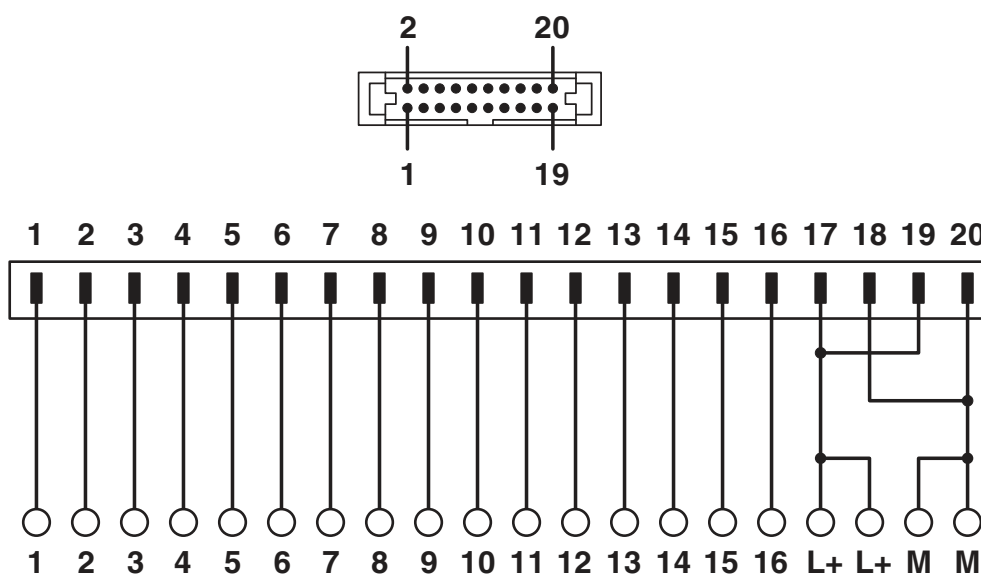


1278788

<https://www.phoenixcontact.com/us/products/1278788>

## Drawings

Circuit diagram



# VFC-PT/FLK20/ET200SP - Interface module



1278788

<https://www.phoenixcontact.com/us/products/1278788>

## Approvals

🔗 To download certificates, visit the product detail page: <https://www.phoenixcontact.com/us/products/1278788>



**UL Listed**

Approval ID: FILE E 238705



**cUL Listed**

Approval ID: FILE E 238705

**cULus Listed**

# VFC-PT/FLK20/ET200SP - Interface module



1278788

<https://www.phoenixcontact.com/us/products/1278788>

## Classifications

### ECLASS

ECLASS-11.0	27141152
ECLASS-12.0	27141152
ECLASS-13.0	27141152

### ETIM

ETIM 8.0	EC002780
----------	----------

### UNSPSC

UNSPSC 21.0	39121400
-------------	----------

# VFC-PT/FLK20/ET200SP - Interface module



1278788

<https://www.phoenixcontact.com/us/products/1278788>

## Environmental product compliance

China RoHS	Environmentally friendly use period: unlimited = EFUP-e
	No hazardous substances above threshold values



# VFC-PT/FLK20/ET200SP - Interface module



1278788

<https://www.phoenixcontact.com/us/products/1278788>

## Accessories

### FLKM 20-PA-ET200SP - Front adapter

1099751

<https://www.phoenixcontact.com/us/products/1099751>



VARIOFACE front adapter for Siemens SIMATIC® ET200SP, with a 20-pos. FLK-/IDC male strip, max. 16 channels can be connected

---

### FLK EZ-DR.../.../... - Cable

2295059

<https://www.phoenixcontact.com/us/products/2295059>



Round cable, with preassembly, not shielded, variable cable length

# VFC-PT/FLK20/ET200SP - Interface module

1278788

<https://www.phoenixcontact.com/us/products/1278788>

## SK 2,8 WH:REEL - Marker strip

0805205

<https://www.phoenixcontact.com/us/products/0805205>



Marker strip, Roll, white, unlabeled, can be labeled with: THERMOMARK E.300 (D)/600 (D), THERMOMARK ROLL 2.0, THERMOMARK ROLL, THERMOMARK ROLL X1, THERMOMARK ROLLMASTER 300/600, THERMOMARK X1.2, mounting type: adhesive, lettering field size: continuous x 2.8 mm, Number of individual labels: 480000

---

## FLK 20/EZ-DR/ 50KONFEK - Cable

2296391

<https://www.phoenixcontact.com/us/products/2296391>



Round cable set; connection 1: IDC/FLK socket strip (1x 20-position); connection 2: IDC/FLK socket strip (1x 20-position); cable length: 0.5 m

# VFC-PT/FLK20/ET200SP - Interface module

1278788

<https://www.phoenixcontact.com/us/products/1278788>

## FLK 20/EZ-DR/ 100KONFEK - Cable

2296401

<https://www.phoenixcontact.com/us/products/2296401>



Round cable set; connection 1: IDC/FLK socket strip (1x 20-position); connection 2: IDC/FLK socket strip (1x 20-position); cable length: 1 m

---

## FLK 20/EZ-DR/ 150KONFEK - Cable

2296472

<https://www.phoenixcontact.com/us/products/2296472>



Round cable set; connection 1: IDC/FLK socket strip (1x 20-position); connection 2: IDC/FLK socket strip (1x 20-position); cable length: 1.5 m

# VFC-PT/FLK20/ET200SP - Interface module



1278788

<https://www.phoenixcontact.com/us/products/1278788>

## FLK 20/EZ-DR/ 200KONFEK - Cable

2296485

<https://www.phoenixcontact.com/us/products/2296485>



Round cable set; connection 1: IDC/FLK socket strip (1x 20-position); connection 2: IDC/FLK socket strip (1x 20-position); cable length: 2 m

---

## FLK 20/EZ-DR/ 300KONFEK - Cable

2296498

<https://www.phoenixcontact.com/us/products/2296498>



Round cable set; connection 1: IDC/FLK socket strip (1x 20-position); connection 2: IDC/FLK socket strip (1x 20-position); cable length: 3 m

# VFC-PT/FLK20/ET200SP - Interface module



1278788

<https://www.phoenixcontact.com/us/products/1278788>

## FLK 20/EZ-DR/ 400KONFEK - Cable

2296508

<https://www.phoenixcontact.com/us/products/2296508>



Round cable set; connection 1: IDC/FLK socket strip (1x 20-position); connection 2: IDC/FLK socket strip (1x 20-position); cable length: 4 m

---

## FLK 20/EZ-DR/ 800KONFEK - Cable

2296524

<https://www.phoenixcontact.com/us/products/2296524>



Round cable set; connection 1: IDC/FLK socket strip (1x 20-position); connection 2: IDC/FLK socket strip (1x 20-position); cable length: 8 m

# VFC-PT/FLK20/ET200SP - Interface module

1278788

<https://www.phoenixcontact.com/us/products/1278788>

## FLK 20/EZ-DR/1000KONFEK - Cable

2296537

<https://www.phoenixcontact.com/us/products/2296537>



Round cable set; connection 1: IDC/FLK socket strip (1x 20-position); connection 2: IDC/FLK socket strip (1x 20-position); cable length: 10 m

---

## CABLE-FLK20/OE/0,14/ 50 - Cable

2305826

<https://www.phoenixcontact.com/us/products/2305826>



Round cable set; connection 1: Single wires (20-position) (The wires are marked and fitted with ferrules); connection 2: IDC/FLK socket strip (1x 20-position); cable length: 0.5 m

# VFC-PT/FLK20/ET200SP - Interface module

1278788

<https://www.phoenixcontact.com/us/products/1278788>

## CABLE-FLK20/OE/0,14/ 100 - Cable

2305305

<https://www.phoenixcontact.com/us/products/2305305>



Round cable set; connection 1: Single wires (20-position) (The wires are marked and fitted with ferrules); connection 2: IDC/FLK socket strip (1x 20-position); cable length: 1 m

---

## CABLE-FLK20/OE/0,14/ 150 - Cable

2305318

<https://www.phoenixcontact.com/us/products/2305318>



Round cable set; connection 1: Single wires (20-position) (The wires are marked and fitted with ferrules); connection 2: IDC/FLK socket strip (1x 20-position); cable length: 1.5 m

# VFC-PT/FLK20/ET200SP - Interface module

1278788

<https://www.phoenixcontact.com/us/products/1278788>

## CABLE-FLK20/OE/0,14/ 200 - Cable

2305321

<https://www.phoenixcontact.com/us/products/2305321>



Round cable set; connection 1: Single wires (20-position) (The wires are marked and fitted with ferrules); connection 2: IDC/FLK socket strip (1x 20-position); cable length: 2 m

---

## CABLE-FLK20/OE/0,14/ 250 - Cable

2305334

<https://www.phoenixcontact.com/us/products/2305334>



Round cable set; connection 1: Single wires (20-position) (The wires are marked and fitted with ferrules); connection 2: IDC/FLK socket strip (1x 20-position); cable length: 2.5 m



# VFC-PT/FLK20/ET200SP - Interface module

1278788

<https://www.phoenixcontact.com/us/products/1278788>

## CABLE-FLK20/OE/0,14/ 300 - Cable

2305347

<https://www.phoenixcontact.com/us/products/2305347>



Round cable set; connection 1: Single wires (20-position) (The wires are marked and fitted with ferrules); connection 2: IDC/FLK socket strip (1x 20-position); cable length: 3 m

---

## CABLE-FLK20/OE/0,14/ 400 - Cable

2305839

<https://www.phoenixcontact.com/us/products/2305839>



Round cable set; connection 1: Single wires (20-position) (The wires are marked and fitted with ferrules); connection 2: IDC/FLK socket strip (1x 20-position); cable length: 4 m

# VFC-PT/FLK20/ET200SP - Interface module



1278788

<https://www.phoenixcontact.com/us/products/1278788>

## CABLE-FLK20/OE/0,14/ 600 - Cable

2305842

<https://www.phoenixcontact.com/us/products/2305842>



Round cable set; connection 1: Single wires (20-position) (The wires are marked and fitted with ferrules); connection 2: IDC/FLK socket strip (1x 20-position); cable length: 6 m

---

## CABLE-FLK20/OE/0,14/ 800 - Cable

2305855

<https://www.phoenixcontact.com/us/products/2305855>



Round cable set; connection 1: Single wires (20-position) (The wires are marked and fitted with ferrules); connection 2: IDC/FLK socket strip (1x 20-position); cable length: 8 m

# VFC-PT/FLK20/ET200SP - Interface module



1278788

<https://www.phoenixcontact.com/us/products/1278788>

## CABLE-FLK20/OE/0,14/1000 - Cable

2305868

<https://www.phoenixcontact.com/us/products/2305868>



Round cable set; connection 1: Single wires (20-position) (The wires are marked and fitted with ferrules); connection 2: IDC/FLK socket strip (1x 20-position); cable length: 10 m

---

## CABLE-FLK20/OE/0,14/... - Cable

2305745

<https://www.phoenixcontact.com/us/products/2305745>



Round cable set; connection 1: Single wires (20-position) (The wires are marked and fitted with ferrules); connection 2: IDC/FLK socket strip (1x 20-position); cable length: variable

---

Phoenix Contact 2023 © - all rights reserved  
<https://www.phoenixcontact.com>

Phoenix Contact USA  
586 Fulling Mill Road  
Middletown, PA 17057, United States  
(+717) 944-1300  
[info@phoenixcon.com](mailto:info@phoenixcon.com)