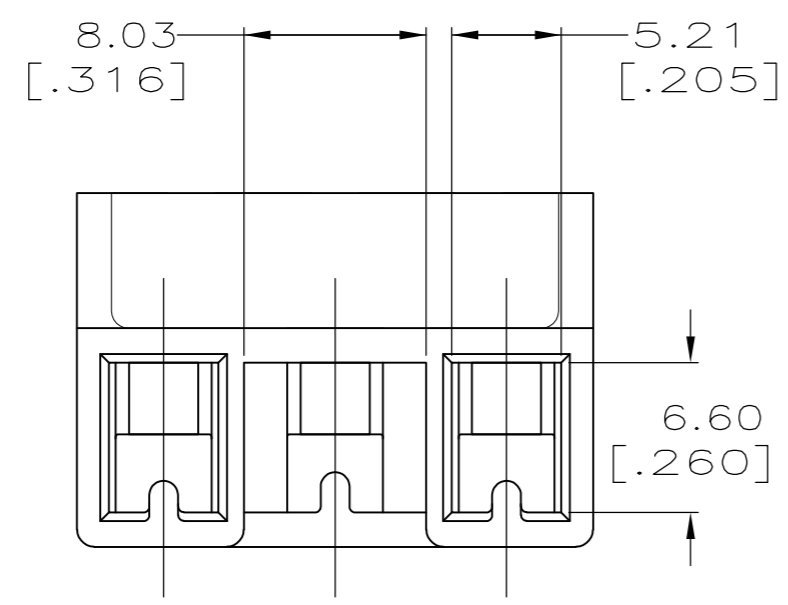
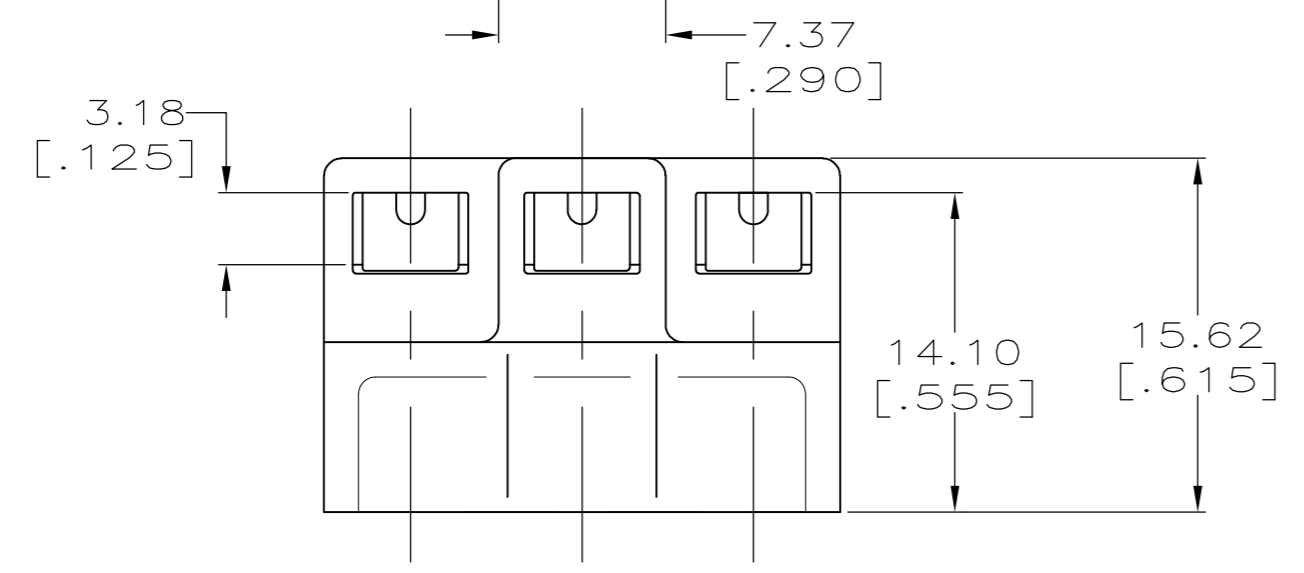
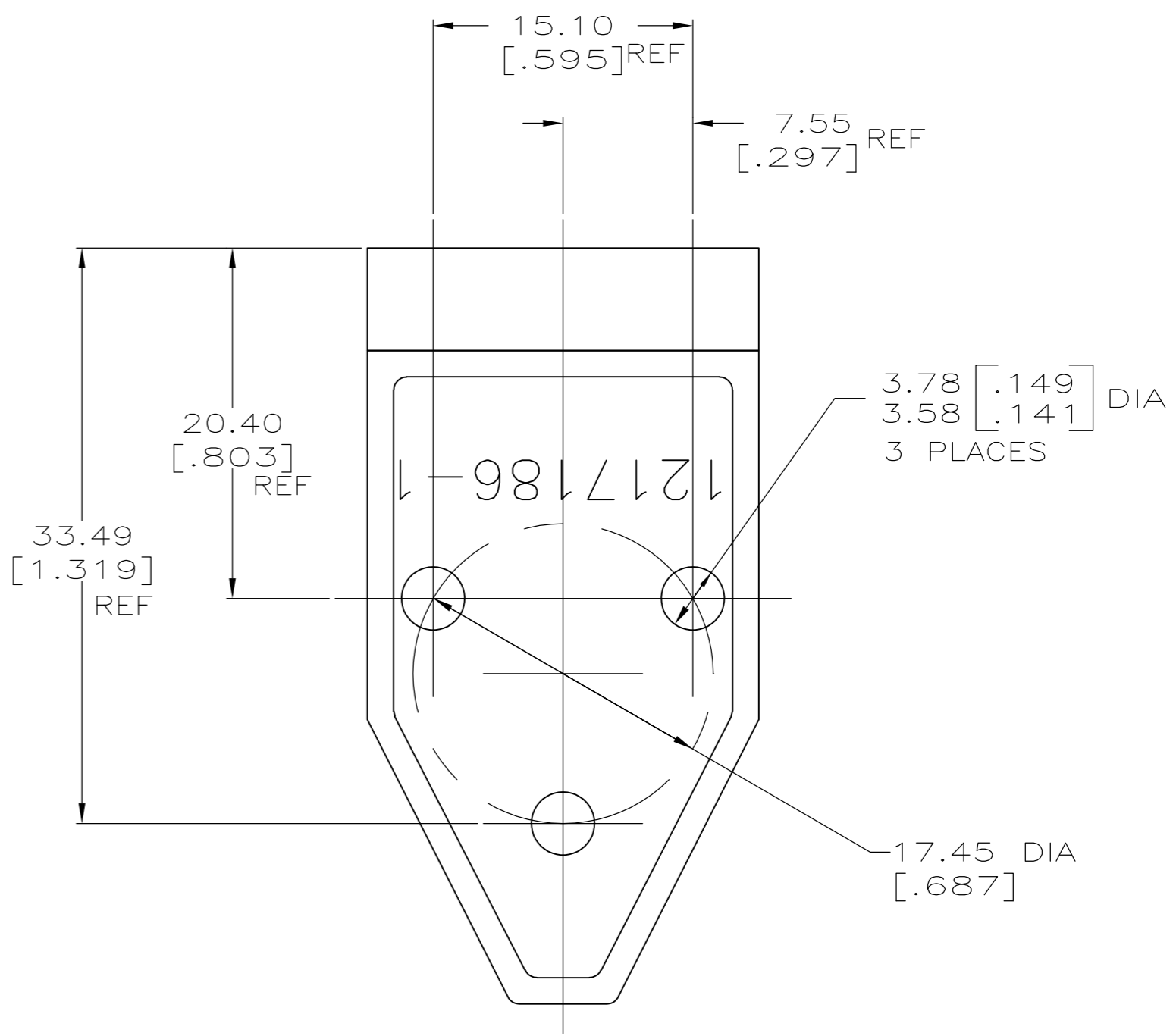
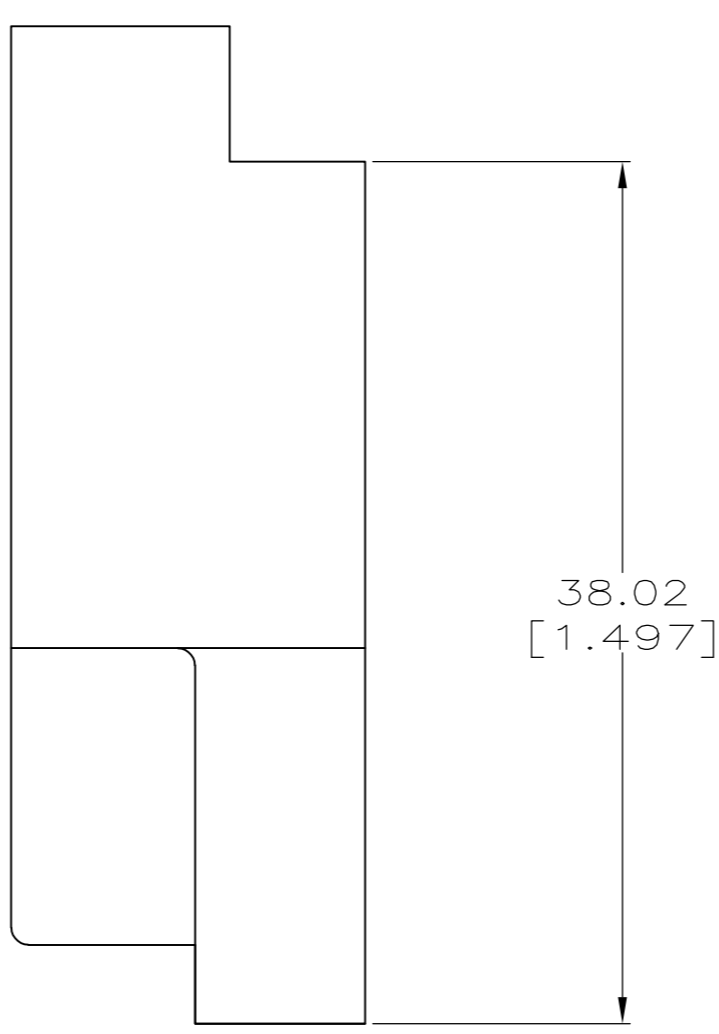
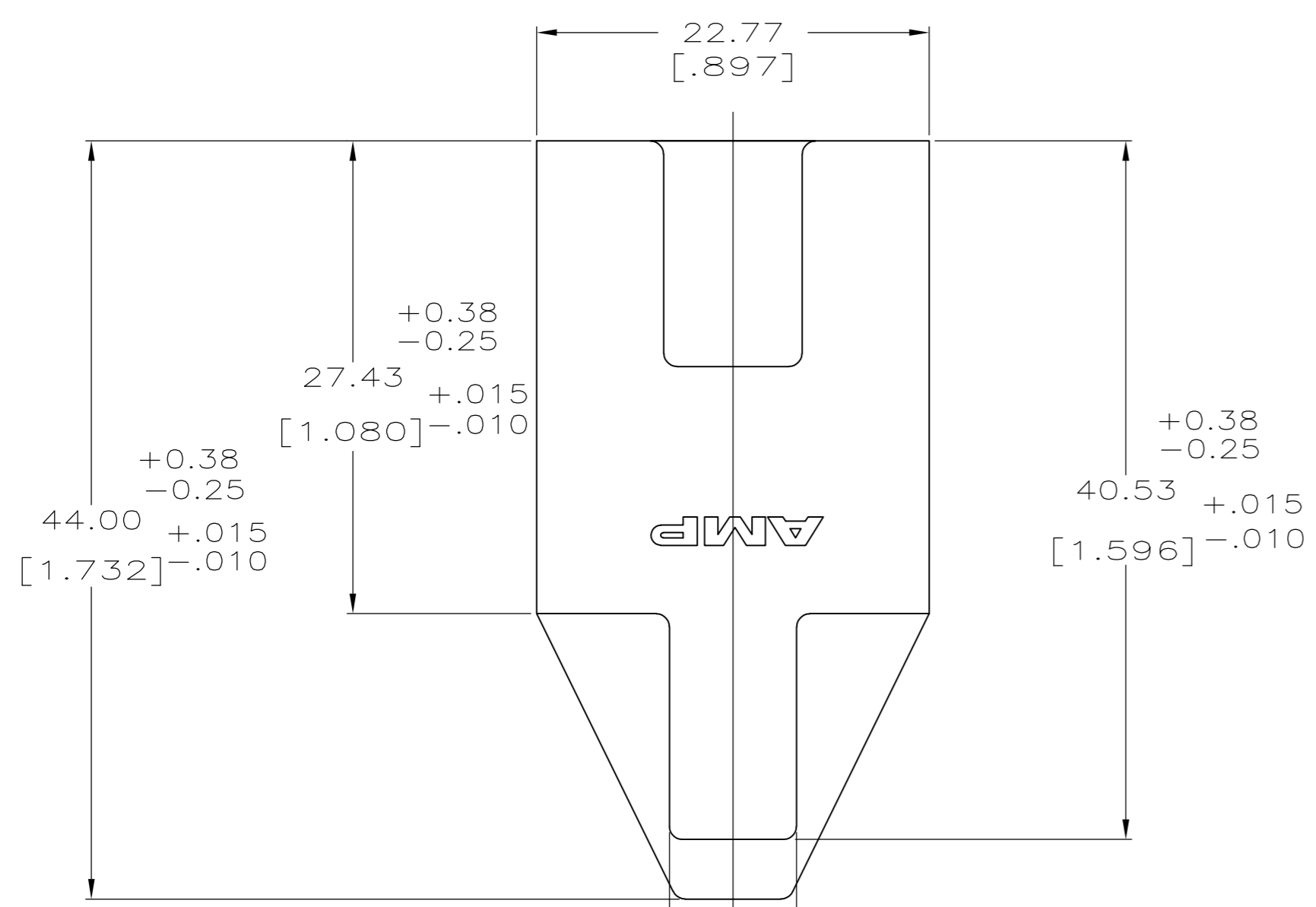


THIS DRAWING IS UNPUBLISHED. RELEASED FOR PUBLICATION
 © COPYRIGHT BY TYCO ELECTRONICS CORPORATION. ALL RIGHTS RESERVED.

LOC	DIST	REVISIONS			
P	LTR	DESCRIPTION	DATE	DWN	APVD
AF	50	H	REVISED PER ECR-09-006852	22APR10	HMR GJ



1 HOUSING ACCEPTS 3.18 [.125] DIA CLUSTER BLOCK PIN RECEPTACLES.



1217186-1
PART NUMBER

THIS DRAWING IS A CONTROLLED DOCUMENT.		DWN 01SEP1999 MICHEAL S. FEHER	Tyco Electronics Corporation Harrisburg, PA 17105	
DIMENSIONS: INCHES		CHK 01SEP1999 PETE DESANTIS	NAME	
TOLERANCES UNLESS OTHERWISE SPECIFIED:		APVD 01SEP1999 PETE DESANTIS	PRODUCT SPEC	
0 PLC ± -		108-2008		RESTRICTED TO
1 PLC ± -		APPLICATION SPEC		
2 PLC ± 0.25 [.010]		114-2019		SIZE A2
3 PLC ± -		WEIGHT -		CAGE CODE 00779
4 PLC ± -		FINISH NATURAL		DRAWING NO. 1217186
ANGLES ± -		CUSTOMER DRAWING		SCALE 3:1
MATERIAL PBT UNFILLED		SHEET 1 OF 1		REV H