

WADI cable gland

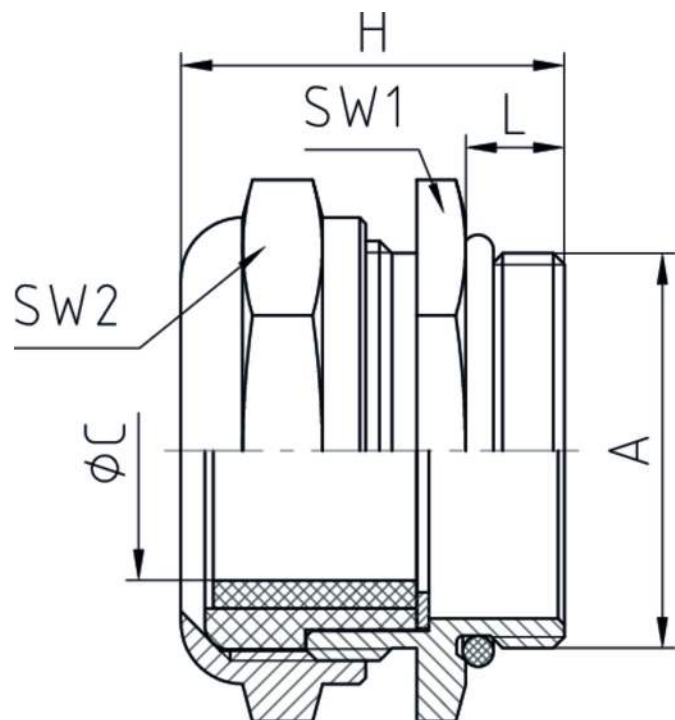
1010xxMxx

Dome nut	Brass CuZn39Pb3, nickel-plated
Sealing insert	Polychloroprene-Nitrile rubber CR/NBR
Washer	Brass, nickel-plated
Gland body	Brass CuZn39Pb3, nickel-plated
O-ring	Nitrile rubber NBR
Connecting thread	metric as per EN 60423 and ISO 724*



Properties


	<ul style="list-style-type: none"> • wide sealing and clamping range • easy-to-install
Temperature range	-30 °C +100 °C
Protection grade	IP65



Features

Connecting thread standard length

A	ØC	L	SW1	SW2	H	VPE	Part No.
M12x1,5	4 - 7**	6	14	14	22,5	100	101007M12
M16x1,5	7 - 11,5	6	20	20	25	50	101011M16
M20x1,5	8 - 15	6	24	24	26	50	101016M20
M25x1,5	13 - 20	7,5	32	32	31	50	101021M25
M32x1,5	18 - 25,5	8	38	38	32	25	101029M32
M40x1,5	27 - 34,5	8	50	50	35	10	101036M40
M50x1,5	38 - 44,5	10	58	58	40	5	101042M50
M63x1,5	40 - 49	11	68	68	46	5	101048M63
M72x2,0*	53 - 60**	18	90	90	59,5	1	1010M72

A	ØC	L	SW1	SW2	H	 VPE	Part No.
M75x1,5	48 - 55**	18	90	90	60	1	1010M75/1
M75x1,5	53 - 60**	18	90	90	60	1	1010M75/2
M80x2,0*	53 - 60**	18	90	90	60	1	1010M80
M85x2,0*	58 - 64**	18	100	100	60	1	1010M85
M90x2,0	63 - 69**	18	100	100	60	1	1010M90
M100x3,0 *	68 - 75**	22	125	125	75	1	1010M100

* metric, as per ISO 724

** one-piece sealing insert and no washer