

6

5

4

3

2

1

E

E

D

D

C

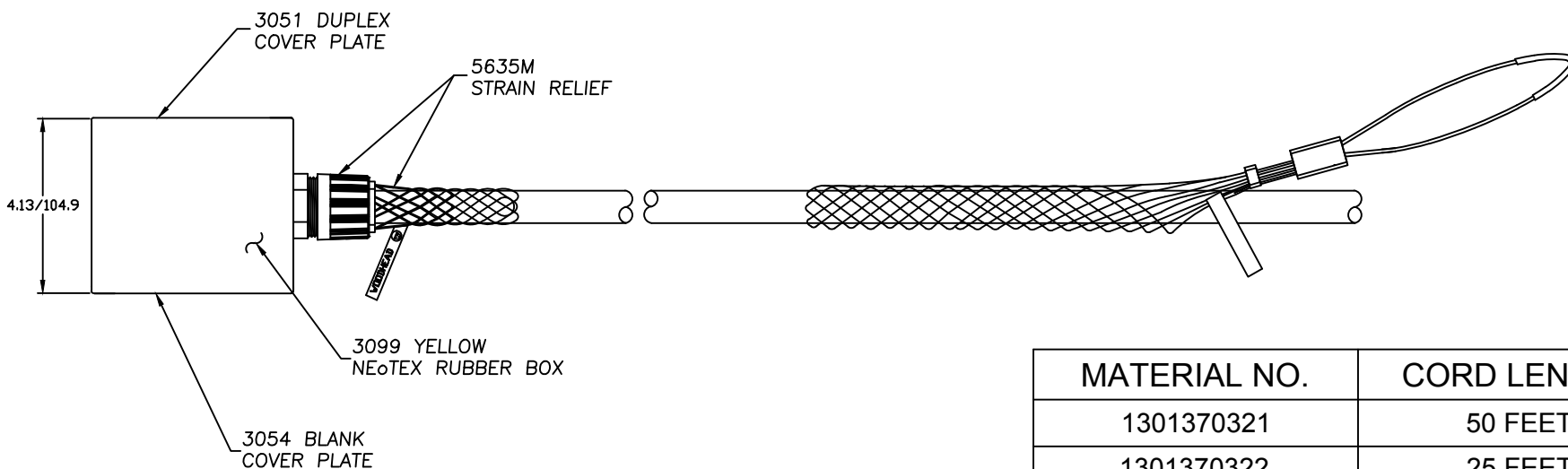
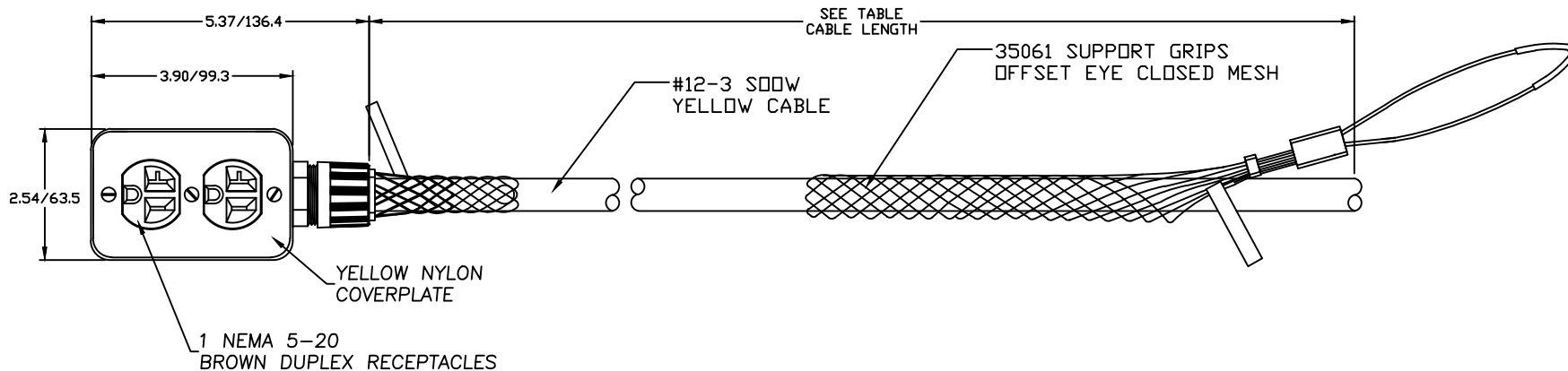
C

B

B

A

A



MATERIAL NO.	CORD LENGTH
1301370321	50 FEET
1301370322	25 FEET

CUSTOMER APPROVAL DWG EC NO: IPC2017-0130 DRWN: HKNEELAN 2016/08/03 CHKD: HKNEELAN 2016/08/22 APPR: JFMURPHY 2016/08/22	DESCRIPTION REV A	QUALITY SYMBOLS $\nabla=0$ $\sphericalangle=0$	GENERAL TOLERANCES (UNLESS SPECIFIED)		DIMENSION STYLE IN/MM	SCALE NTS	DESIGN UNITS INCH	THIRD ANGLE PROJECTION			
		4 PLACES ±--- ±--- 3 PLACES ±--- ±.005 2 PLACES ±0.13 ±.010 1 PLACE ±0.25 ±.020	mm INCH	DRAWN BY DATE HKNEELAN 2016/08/03	TITLE MULTIPLE OUTLET BOX W/ #12-3 CABLE & MESH 1 NEMA 5-20 DPLX RECPT			MOLEX INCORPORATED		SHEET NO. 1 OF 1	
		ANGULAR ±.5°		CHECKED BY DATE HKNEELAN 2016/08/22	APPROVED BY DATE JFMURPHY 2016/08/22						
		DRAFT WHERE APPLICABLE MUST REMAIN WITHIN DIMENSIONS			SEE CHART		MATERIAL NO.		DOCUMENT NO. SD-130137-048		THIS DRAWING CONTAINS INFORMATION THAT IS PROPRIETARY TO MOLEX INCORPORATED AND SHOULD NOT BE USED WITHOUT WRITTEN PERMISSION

6

5

4

3

2

1