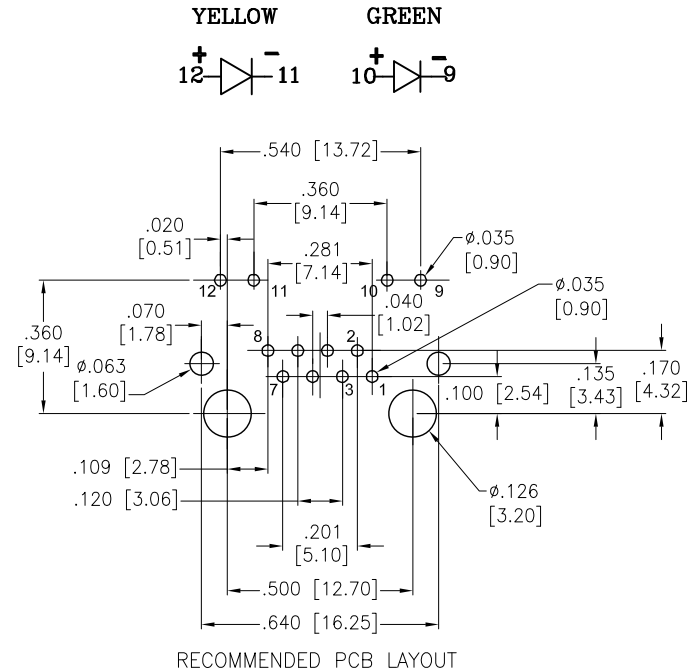
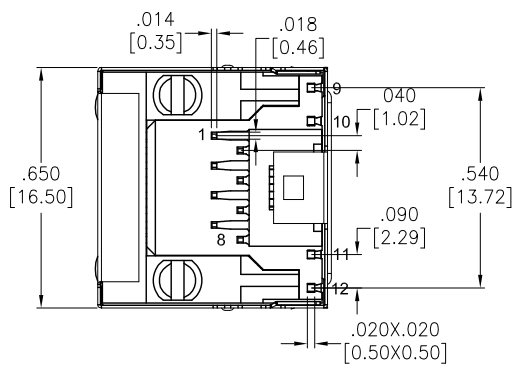
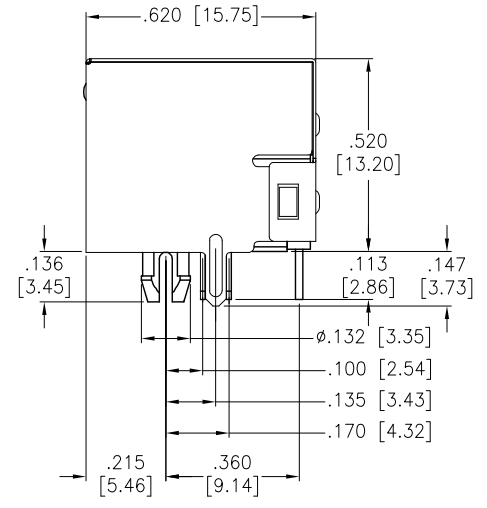
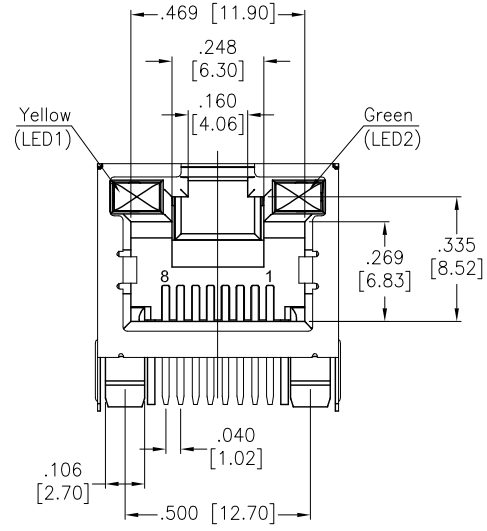


APPROVED: \_\_\_\_\_  
DATE: \_\_\_\_\_ TITLE: \_\_\_\_\_

Rev	AWO #	Description	Date	Appr
-		Released	4/12/04	
A		Added LED polarization marks	08/31/04	BAS
B		REVISED SHAPE	8/27/08	
C		REDRAWN	11/15/11	
D		UPDATE SHAPE	9/11/14	AY/NP
E		UPDATE SPEC.	3/11/15	AY/CH
F		UPDATE SPEC.	4/13/15	HR/LW
G		UPDATE SPEC.	6/17/16	HR/CH
H		ADDED LED CIRCUIT	1/2/19	HR/AC1



**SPECIFICATIONS:**

**Material:**  
Insulator: PBT, glass reinforced, rated UL 94V-0  
Insulator color: Black  
Contacts: Phosphor Bronze  
Shield: Brass, Nickel plated  
Plating:  
Round contact  
Gold over Nickel underplate overall  
Flat contact  
Gold over Nickel underplate on contact area,  
Matte Tin over Nickel underplate on solder tails

**Electrical:**  
Voltage rating: 150 VAC RMS  
Current rating: 1.5 Amp  
Contact resistance: 20 mohms max.  
Insulation resistance: 1,000 Mohms min @ 500 VDC  
Dielectric withstanding voltage:  
Contact to Contact: 1,000 VDC/AC Peak for 1 minute  
Contact to Screen and Test panel: 1,500 VDC/AC Peak for 1 minute

**Temperature Rating:**  
Operating temperature: -40°C to +85°C  
Environmental:  
Lead free, RoHS compliant.



UNLESS OTHERWISE SPECIFIED  
ALL DIMENSIONS ARE INCHES [MM]  
TOLERANCES: EXCEPT AS NOTED

INCHES	Holes
.X ± .10	Ø.X ± .10
.XX ± .020	Ø.XX ± .015
.XXX ± .015	Ø.XXX ± .010

APPROVALS		DATE
DRAWN	SLS	4/12/04
CHECKED		
APPROVED		

**ADAM TECH INTERCONNECTS**  
909 Rahway Avenue,  
Union, NJ 07083  
Phone: 908-687-5000  
Fax: 908-687-5710

TITLE MODULAR TELEPHONE JACK, R/A, 8P8C W/ LED1 YELLOW, LED2 GREEN		
SIZE X	PART NO. MTJ-88ARX1-FSM-LG	REV. H
REF: S00005C	SCALE: NTS	SHEET 1 OF 1