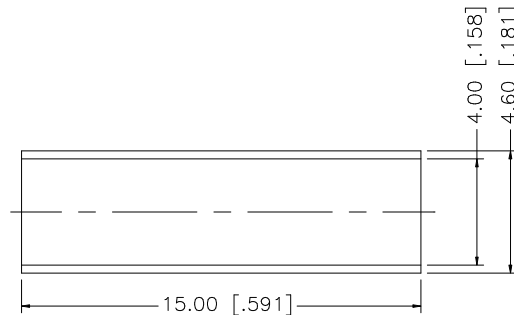
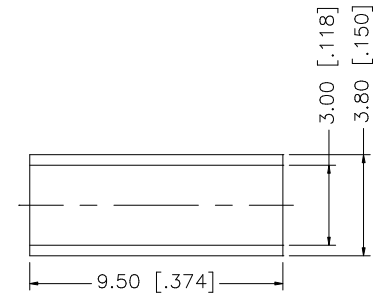
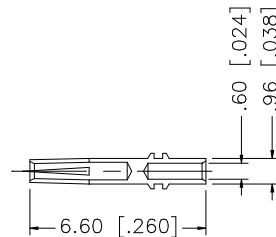
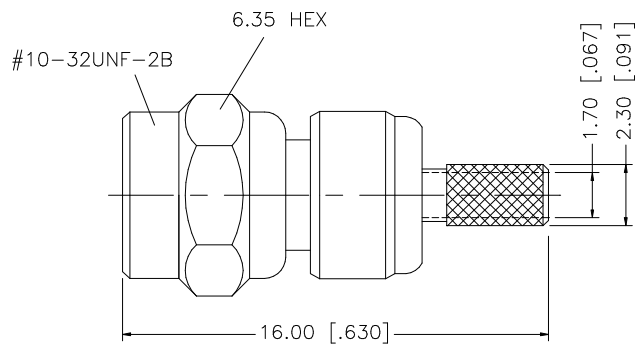
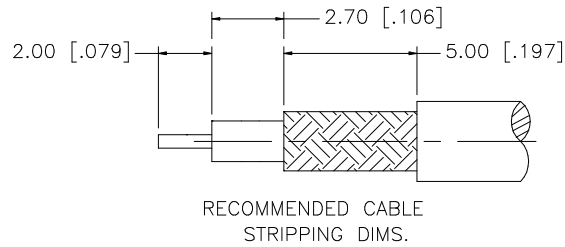


REV.	DATE	DESCRIPTION
A	09/04/01	INCREASE FERRULE LENGTH TO 9.5 [.374]
B	04/31/03	UPDATE DRAWING FORMAT



CRIMP NOTES:

1. CRIMPED FERRULE
HEX CRIMP SIZE .128"
2. CONTACT PIN TO SOLDER

DESCRIPTION	MATERIAL	FINISH	QTY	DO NOT SCALE DRAWING	APPROVALS	DATE	Amphenol Connex			
8										
7										
6							PART DESCRIPTION SMC CRIMP PLUG (RG-174/U, 188A/U, 316/U CABLE)			
5	HEAT SHRINK TUBE	BLACK	1							
4	FERRULE	COPPER	NICKEL	1			PART NO. 152100			
3	CONTACT PIN	BER. COPPER	GOLD	1						
2	INSULATOR	TEFLON	NATURAL	1			DWG. NO. 152100.DWG			
1	BODY	BRASS	NICKEL	1						
							REV. B	SIZE A	SCALE NA	

UNLESS OTHERWISE SPECIFIED DIMENSIONS ARE IN MILLIMETERS. DIMENSIONS IN [] ARE IN INCHES AND FOR CUSTOMER REFERENCE ONLY.

UNLESS OTHERWISE SPECIFIED TOLERANCES FOR MILLIMETERS ARE:
0.5 - 8mm ± 0.20mm
8 - 30mm ± 0.40mm
30 - 120mm ± 0.50mm

UNLESS OTHERWISE SPECIFIED TOLERANCES FOR INCHES ARE:
.020 - .315 = ± 0.007"
.315 - 1.180 = ± 0.015"
1.180 - 4.724 = ± 0.020"

APPROVALS	DATE
DRAWN G.R.S.	04/31/03
CHECKED	
ISSUED	
SHEET 1 OF 1	
CAD FILE C:/152/152100.DWG	

Amphenol Connex

SMC CRIMP PLUG
(RG-174/U, 188A/U, 316/U CABLE)

152100

DWG. NO. 152100.DWG	REV. B	SIZE A	SCALE NA
---------------------	--------	--------	----------