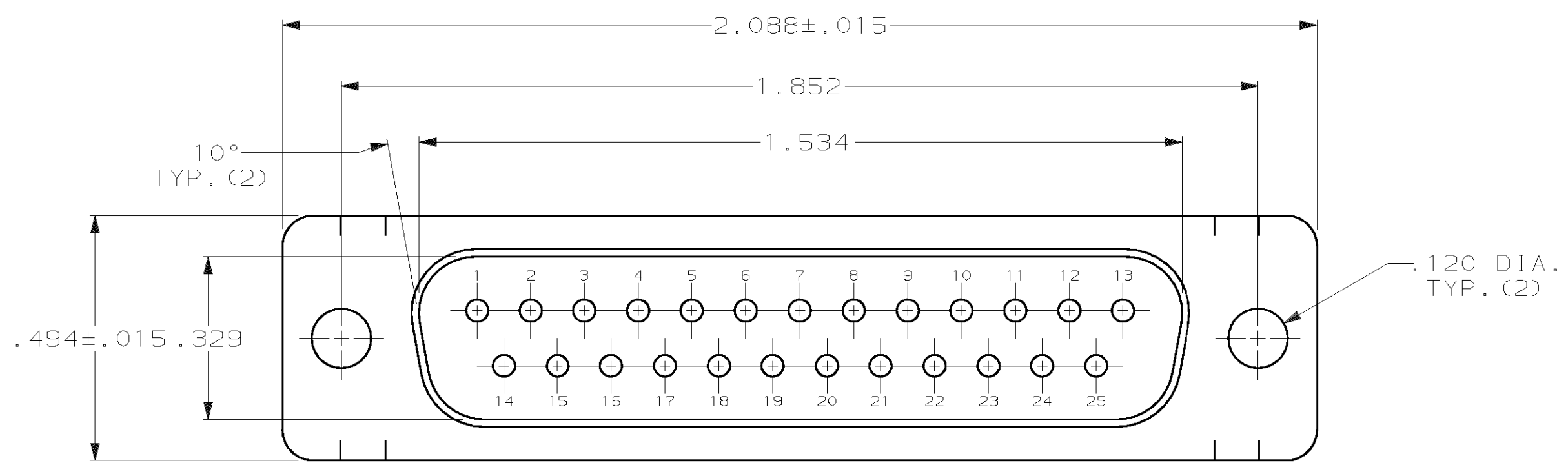
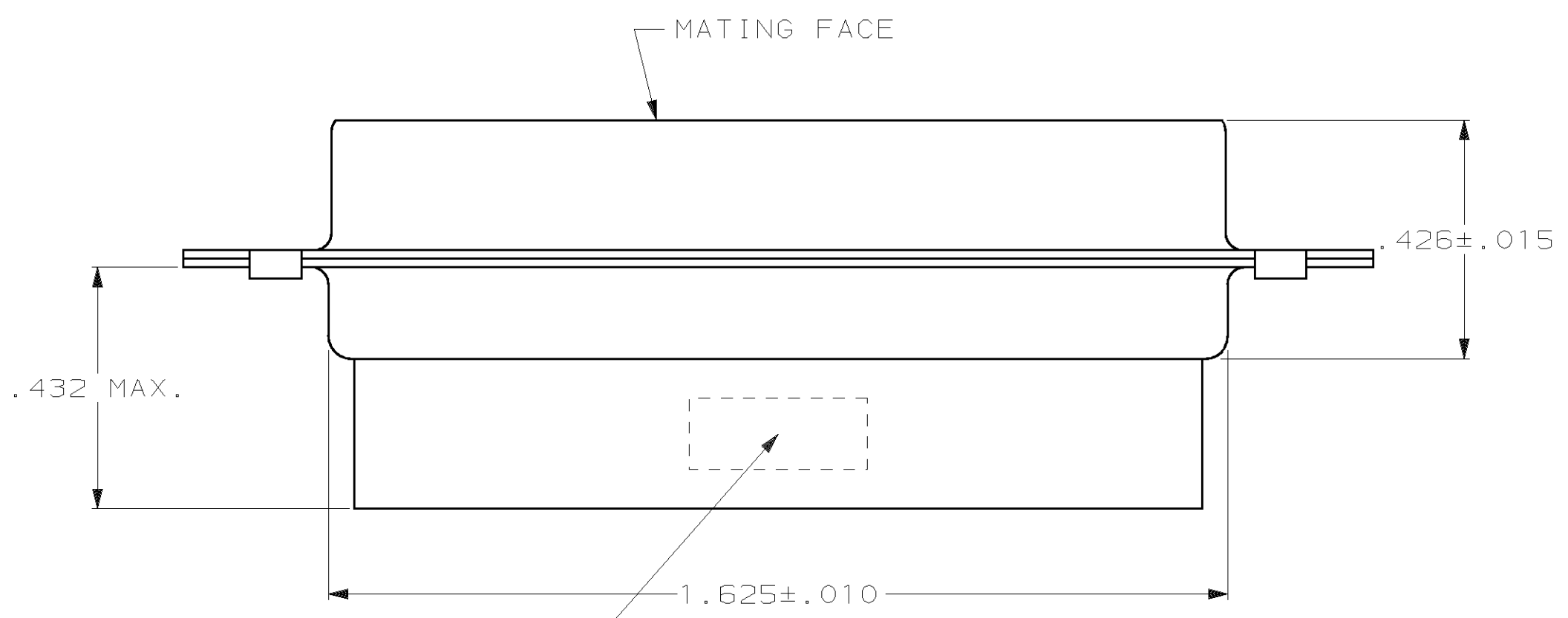


THIS DRAWING IS UNPUBLISHED. RELEASED FOR PUBLICATION ,19 .
 © COPYRIGHT 19 BY AMP INCORPORATED. ALL INTERNATIONAL RIGHTS RESERVED.

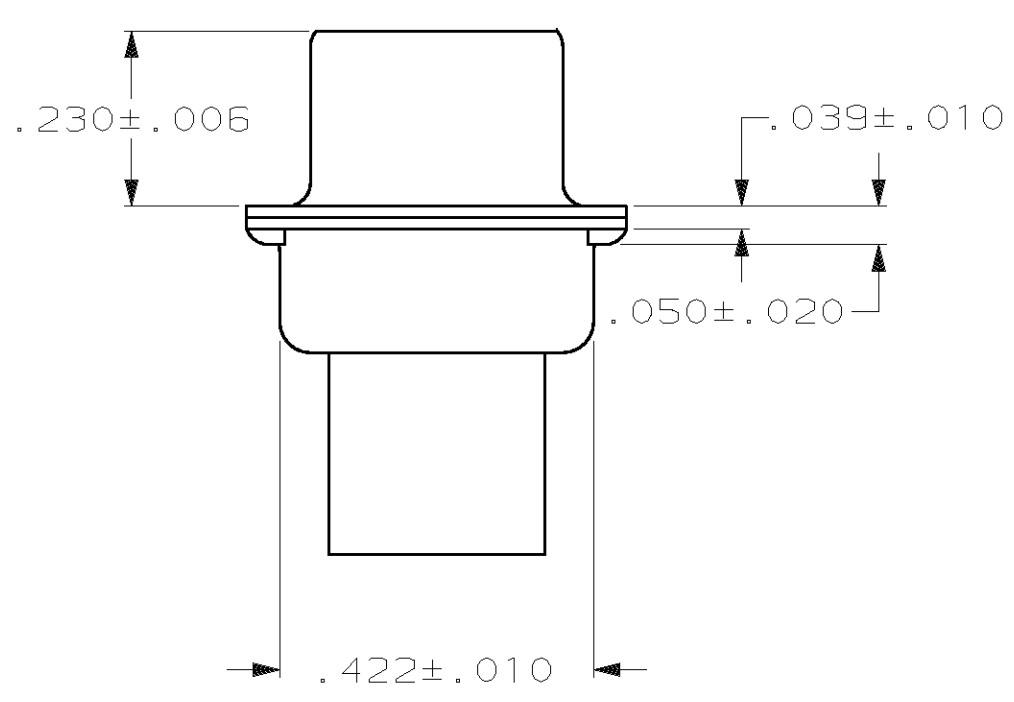
| LOC | | DIST | | REVISIONS | | | | |
|-----|----|------|---|-----------|-----|-----------------------------|---------|------|
| GP | 00 | P | F | ZONE | LTR | DESCRIPTION | DATE | APPD |
| | | | | G | | REVISED PER EC 0513-0023-03 | 14MAY03 | JG |



1. CONNECTOR ACCEPTS SIZE 20 DF PIN CONTACTS, RETENTION TINES ARE AN INTEGRAL PART OF INSERT.
2. CONNECTOR COMPLIES WITH AMP SPEC. 108-40005 WHERE APPLICABLE.
- ③ FLAME RETARDANT 94V-0 RATED GLASS FILLED NYLON, COLOR: BLACK.
- ④ STEEL PER ASTM A109.
- ⑤ ZINC PLATED PER ASTM B633; TYPE II; CLASS SC1; YELLOW CHROMATE.



"AMP", PART NO. & DATE CODE, MARKED IN AREA INDICATED, ON FAR SIDE



| | | | |
|----------|----------------|--------------|-------------|
| OBSOLETE | SMALL PACK | ⑤ | 205208-3 |
| | STANDARD | ⑤ | 205208-1 |
| | PACKAGING TYPE | SHELL FINISH | PART NUMBER |

| | | | | |
|--|--|----------------------------|---|--------------------|
| DO NOT SCALE PRINT. UNLESS SPECIFIED DIMENSIONS IN INCHES. TOLERANCES ON : 2 PLC DEC ± 3 PLC DEC ± .005 ANGLES ± 2° | | DR 7-19-85 S.WELDON | AMP Incorporated Harrisburg, PA 17105-3608 | |
| MATERIAL MOLDED PARTS: ③ SHELLS: ④ | | CHK 7-29-85 J.GERACE | | |
| FINISH SHELLS: SEE TABLE | | APPD 7-29-85 L.BREKOSKY | NAME PLUG CONNECTOR, SIZE 3, 25 POS., AMPLIMITE™HDP | |
| | | APPD 7-31-85 V.KUMAR | SIZE ③ | CAGE CODE 00779 |
| | | PRODUCT SPEC - | DRAWING NO ③=205208 | |
| | | APPLICATION SPEC - | SCALE NTS | SHEET 1 OF 1 |
| | | WEIGHT - | | |

THIS DRAWING IS A CONTROLLED DOCUMENT FOR AMP INCORPORATED. IT IS SUBJECT TO CHANGE AND THE CONTROLLING ENGINEERING ORGANIZATION SHOULD BE CONTACTED FOR THE LATEST REVISION.