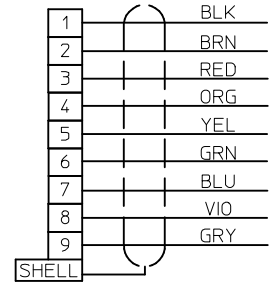
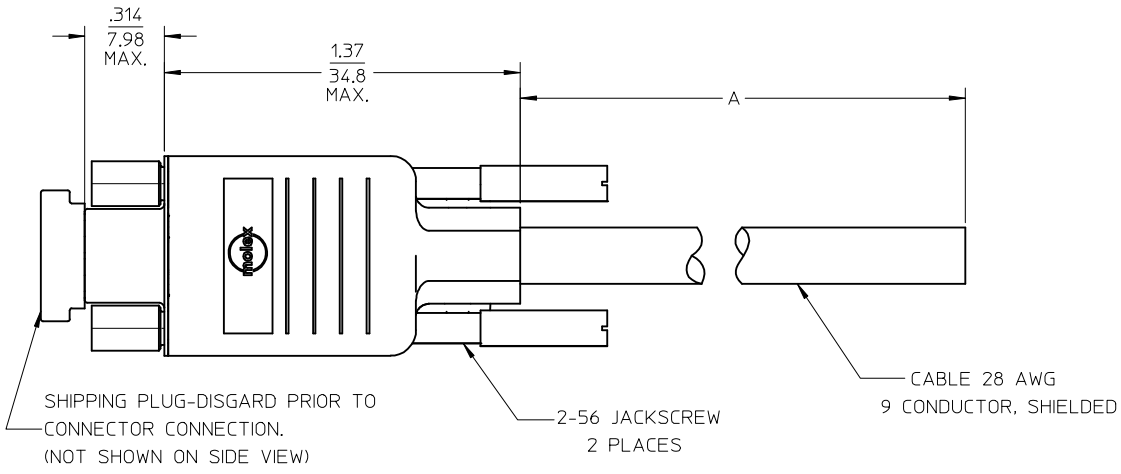
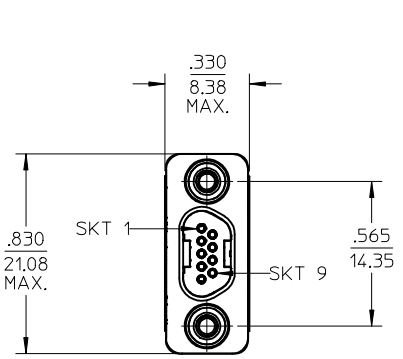


PART NUMBER	A (inch)
834219023	4.5"
834219042	18.5"
834219043	36.5"
834219044	72.5"
834219060	300.0"



NOTES:

- 1) OVERMOLD ASSEMBLY
- 2) CABLE LENGTH TOLERANCE = -0/+ .25" PER FOOT
- 2) RoHS COMPLIANT

UPDATED LOGO EC NO: IFG2015-1021 DRWN:GGUSTAFSON 2014/11/26 CHKD:BRUPERT 2015/01/22 APPR:BMOODMAN 2015/01/07	QUALITY SYMBOLS	GENERAL TOLERANCES (UNLESS SPECIFIED)	DIMENSION STYLE	SCALE	DESIGN UNITS	THIRD ANGLE PROJECTION																							
	$\nabla=0$ $\nabla C=0$	<table border="1"> <thead> <tr> <th></th> <th>mm</th> <th>INCH</th> </tr> </thead> <tbody> <tr> <td>4 PLACES</td> <td>± ---</td> <td>± ---</td> </tr> <tr> <td>3 PLACES</td> <td>± ---</td> <td>± .005</td> </tr> <tr> <td>2 PLACES</td> <td>± ---</td> <td>± .01</td> </tr> <tr> <td>1 PLACE</td> <td>± ---</td> <td>± ---</td> </tr> </tbody> </table>		mm	INCH	4 PLACES	± ---	± ---	3 PLACES	± ---	± .005	2 PLACES	± ---	± .01	1 PLACE	± ---	± ---	IN/MM	2:1	INCH									
		mm	INCH																										
	4 PLACES	± ---	± ---																										
	3 PLACES	± ---	± .005																										
2 PLACES	± ---	± .01																											
1 PLACE	± ---	± ---																											
DESCRIPTION	<table border="1"> <thead> <tr> <th>REV</th> <th>DESCRIPTION</th> </tr> </thead> <tbody> <tr> <td>G</td> <td></td> </tr> </tbody> </table>	REV	DESCRIPTION	G		<table border="1"> <thead> <tr> <th>DRAWN BY</th> <th>DATE</th> <th>TITLE</th> </tr> </thead> <tbody> <tr> <td>D.URBACH</td> <td>2AUG99</td> <td rowspan="2">CMD CONNECTOR ASSEMBLY 9 CIRCUIT</td> </tr> <tr> <td>F.VAN WYK</td> <td></td> </tr> <tr> <th>APPROVED BY</th> <th>DATE</th> <td></td> </tr> <tr> <td>JFMURPHY</td> <td>2010/02/24</td> <td></td> </tr> </tbody> </table>	DRAWN BY	DATE	TITLE	D.URBACH	2AUG99	CMD CONNECTOR ASSEMBLY 9 CIRCUIT	F.VAN WYK		APPROVED BY	DATE		JFMURPHY	2010/02/24		<table border="1"> <tr> <td colspan="2"> MOLEX INCORPORATED </td> </tr> <tr> <td>MATERIAL NO.</td> <td>DOCUMENT NO.</td> </tr> <tr> <td>SEE CHART</td> <td>SD-83421-9023</td> </tr> </table>			MOLEX INCORPORATED		MATERIAL NO.	DOCUMENT NO.	SEE CHART	SD-83421-9023
REV	DESCRIPTION																												
G																													
DRAWN BY	DATE	TITLE																											
D.URBACH	2AUG99	CMD CONNECTOR ASSEMBLY 9 CIRCUIT																											
F.VAN WYK																													
APPROVED BY	DATE																												
JFMURPHY	2010/02/24																												
MOLEX INCORPORATED																													
MATERIAL NO.	DOCUMENT NO.																												
SEE CHART	SD-83421-9023																												
	DRAFT WHERE APPLICABLE MUST REMAIN WITHIN DIMENSIONS	<table border="1"> <tr> <td>SIZE</td> <td>THIS DRAWING CONTAINS INFORMATION THAT IS PROPRIETARY TO MOLEX INCORPORATED AND SHOULD NOT BE USED WITHOUT WRITTEN PERMISSION</td> </tr> <tr> <td>A3</td> <td></td> </tr> </table>	SIZE	THIS DRAWING CONTAINS INFORMATION THAT IS PROPRIETARY TO MOLEX INCORPORATED AND SHOULD NOT BE USED WITHOUT WRITTEN PERMISSION	A3																								
SIZE	THIS DRAWING CONTAINS INFORMATION THAT IS PROPRIETARY TO MOLEX INCORPORATED AND SHOULD NOT BE USED WITHOUT WRITTEN PERMISSION																												
A3																													