

1 2 3 4 5 6 7 8

F

F

E

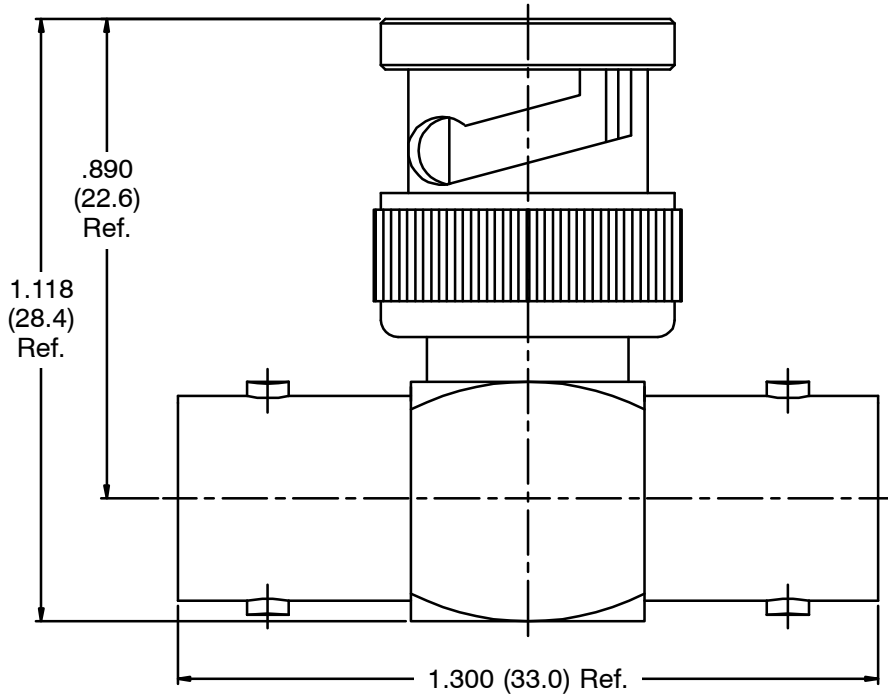
E

D

D

C

C



NOTES: Finish (Plating Thickness in Micro-inches)
 1. Brass
 2. Nickel Pl. 100 Min. Thick over Copper Pl. 50 Min. Thick
 3. Phosphor Bronze
 4. Gold Pl. 3 Min Thick over Nickel Pl. 50 Min. Thick over Copper Pl. 50 Min. Thick

B

B

RoHS Compliant

A

A

12	Sleeve	DELTRIN	Natural	1	
11	Washer	Note 1	Note 2	1	
10	Spring	SK5	Note 2	1	
9	Retainer Ring	Note 1	Note 2	1	
8	Gasket	Rubber	Red	1	
7	Contact Pin	Note 1	Note 4	1	
6	Insulator	DELTRIN	Natural	1	
5	Contact Pin	Note 3	Note 4	1	
4	Insulator	DELTRIN	Natural	1	
3	Body	Note 1	Note 2	1	
2	Housing	Note 1	Note 2	1	
1	Shell	Note 1	Note 2	1	
No.	Description	Material	Finish	Q'ty	Drawing No.

Dimensions are in Inches			Part No.
Unless Otherwise Specified Tolerances			
0.5-6	= ±0.2	Approved	Date
6-30	= ±0.4		11-3-2010
30-120	= ±0.6	Checked	Date
120-315	= ±1		11-3-2010
315-1000	= ±1.6	Drawn	Date
1000-2000	= ±2.4		11-3-2010
Scale	3/1	Issue	A1

NTE Electronics		Title	BNC "T" Adapter Jack-Plug-Jack
		Drawing No.	06-B011
File No.			

1 2 3 4 5 6 7 8