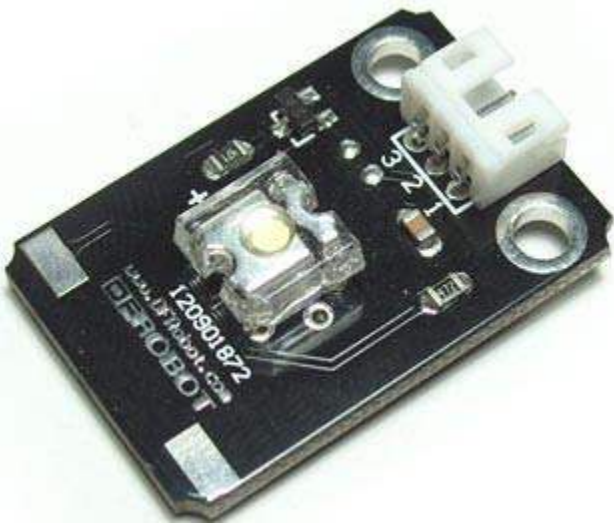




Digital piranha LED light module - Green (SKU: DFR0031-G)



Digital piranha LED light module (SKU: DFR0031)

Piranha LED light module, and special sensors Arduino board and ambient light sensor extension combination, can be used in the interaction with the light works.

When the LED light module connected to Arduino, the digital pin (LOW on, HIGH off) is used to control it. The brightness of LED can be controller via PWM output.

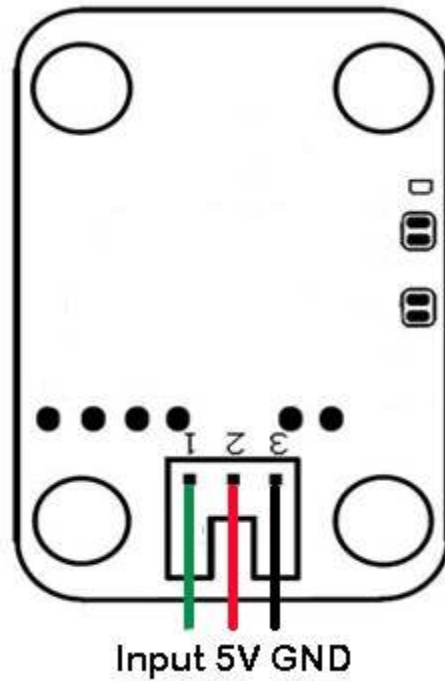
Specifications

- Voltage: 3.3~5v
- Light color: Green
- High luminous output
- Luminous Intensity : 2500-3300mcd
- Wavelength: 520-530nm
- Compatible with IO Expansion shield
- Viewing angle: 80-110°
- Size: 30x20mm(1.18"x0.79")
- Weight: 5g
- Pin Definition
 - Digital control pin (PWM)
 - Power Supply
 - GND

Pin Definition

LED module pin definition :

1. Input
2. Power
3. GND

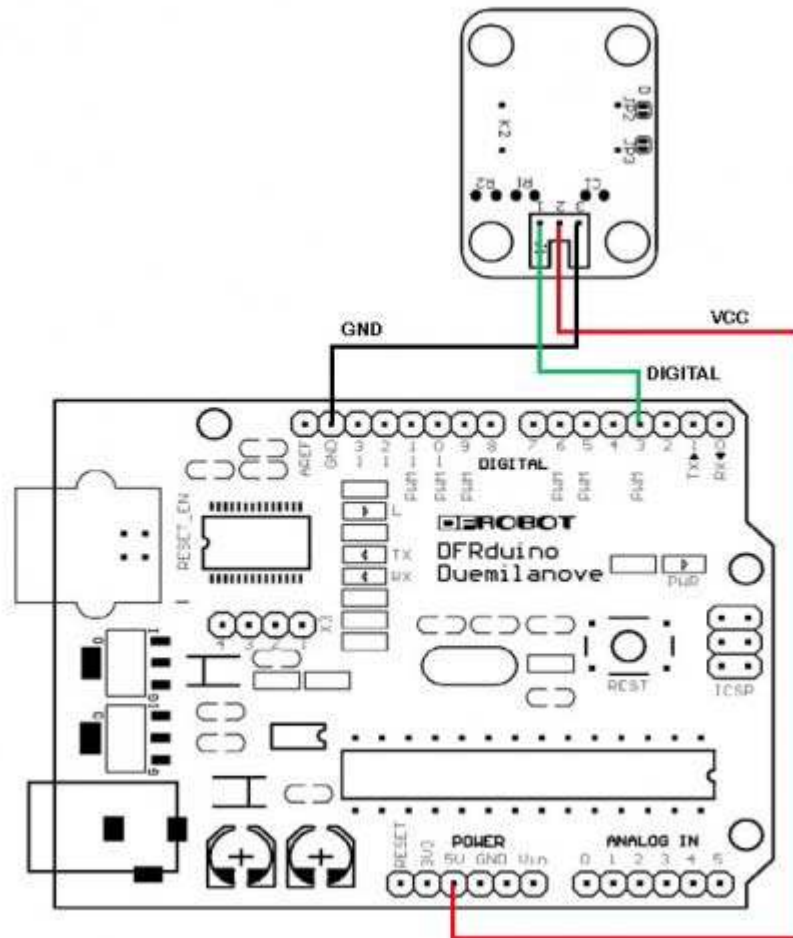


digital input module

APPLICATIONS

- DIY Projects
- Toys
- Games
- Audio indicator

Connection Diagram



Digital module connection diagram

Sample Code

```
///  
//Arduino Sample Code for DFR0021  
//www.DFRobot.com  
//Last modified on 16th September 2010  
  
int led = 3;  
  
void setup()  
{  
  pinMode(led, OUTPUT);    //Set Pin3 as output
```

```
}  
void loop()  
{  
    digitalWrite(led, HIGH);    //Turn off led  
    delay(2000);  
    digitalWrite(led, LOW);    //Turn on led  
    delay(2000);  
}
```