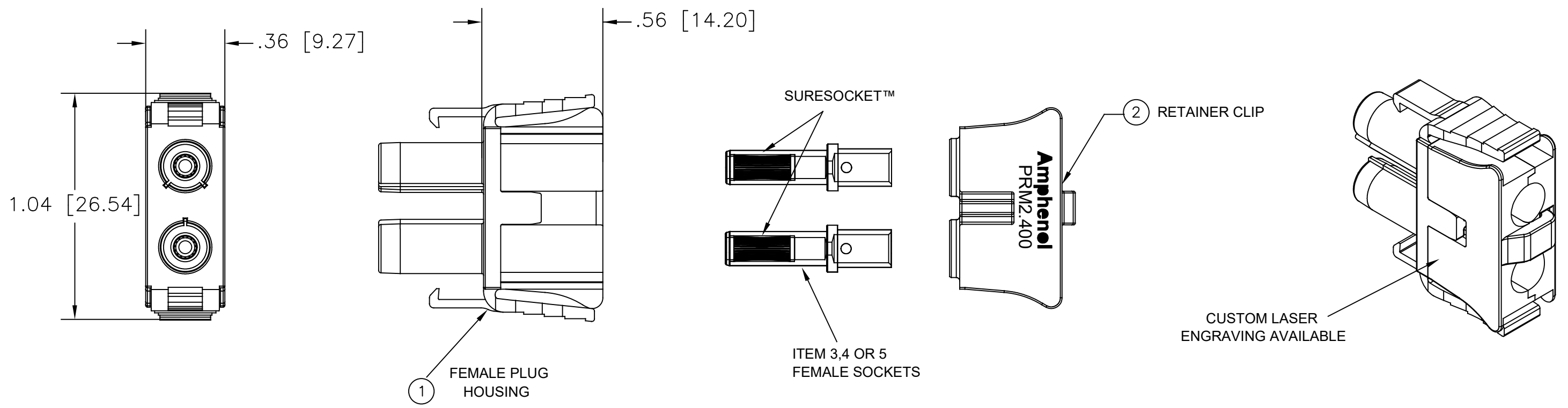


| REVISIONS |     |                 |         |    |      |
|-----------|-----|-----------------|---------|----|------|
| REV       | ECD | DESCRIPTION     | DATE    | BY | APPR |
| A1        | -   | INITIAL RELEASE | 4JAN 20 | TZ | -    |

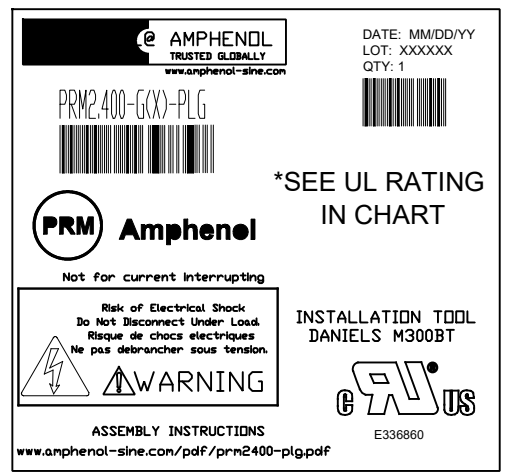


**NOTES:**

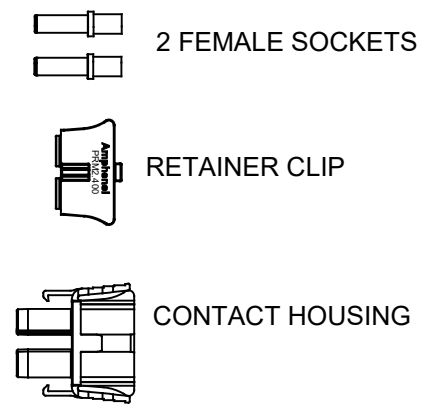
- 1) CONTACT BARREL RANGE: 10AWG TO 20AWG
- 2) MAX INSULATION SIZE: .216 (5.5MM)
- 3) RECOMMENDED CRIMP TOOLS:  
 HAND CRIMPER: DANIELS M300BT  
 UNIVERSAL POSITIONER: UH2-5
- 4) MATERIALS:  
 HOUSING BODY: GF PA 6/6  
 CONTACT: COPPER ALLOY / SILVER PLATED  
 WITH RADSOK® TECHNOLOGY / SILVER PLATED  
 WITH SURE SOCKET™ TECHNOLOGY / GOLD PLATED
- 5) ELECTRICAL DATA:  
 a) CURRENT (MAX): SEE CHART  
 b) VOLTAGE (MAX): 250V DC
- 6) TECHNICAL DATA:  
 a) TEMPERATURE RANGE: -40°C TO 125°C  
 b) MATING CYCLES: >500
- 7) RoHS COMPLIANT
- 8) UL 94 V-0 FLAME RATING
- 9) INSTALLATION INSTRUCTIONS:  
[WWW.AMPHENOL-SINE.COM/PDF/PRM2400-PLG.PDF](http://WWW.AMPHENOL-SINE.COM/PDF/PRM2400-PLG.PDF)

| PART NUMBER     | CONTACT P/N | WIRE AWG (mm²)  | US UL                                  | CUL                                    |
|-----------------|-------------|-----------------|--|--|
| PRM2.400-G4-PLG | SC000706    | 20 AWG (0.5mm²) | 10A <sup>UL</sup> P <small>END</small> | 10A <sup>UL</sup> P <small>END</small> |
|                 |             | 18 AWG (.75mm²) | 12A <sup>UL</sup> P <small>END</small> | 12A <sup>UL</sup> P <small>END</small> |
| PRM2.400-G3-PLG | SC000692    | 16 AWG (1.5mm²) | 16A <sup>UL</sup> P <small>END</small> | 16A <sup>UL</sup> P <small>END</small> |
|                 |             | 14 AWG (2.5mm²) | 20A DC                                 | 15A DC                                 |
| PRM2.400-G2-PLG | SC000612    | 12 AWG (2.5mm²) | 30A DC                                 | 25A DC                                 |
|                 |             | 10 AWG (4mm²)   | 32A DC                                 | 32A DC                                 |

**BAG SAMPLE**



**KIT CONTAINS**



**COMPONENTS CAN BE PURCHASED SERARATELY**

| QUANTITY | PART NUMBER | DESCRIPTION                     | ITEM |
|----------|-------------|---------------------------------|------|
| 2        | SC000612    | 2.4MM FEMALE, SOCKET, 10-12AWG  | 5    |
| 2        | SC000692    | 2.4MM FEMALE, SOCKET, 14-16AWG  | 4    |
| 2        | SC000706    | 2.4MM FEMALE, SOCKET, 18-20 AWG | 3    |
| 1        | PL-000735   | RETAINER, CLIP                  | 2    |
| 1        | PL-000734   | CONTACT HOUSING, PLASTIC        | 1    |

**MATERIALS LIST**

|                                      |  |  |      |                   |
|--------------------------------------|--|--|------|-------------------|
| UNLESS OTHERWISE SPECIFIED           |  | SIGNATURES   |      | DATE              |
| 1) All dimensions are in metric(mm). |  | DRAWN:   | TZ   | 1JAN20            |
| 2) Tolerances are as follows:        |  | CHECKED:   | RC   | 2FEB20            |
| 1 PL DEC ±0.30                       |  | ENGINEER:  | TZ   |                   |
| 2 PL DEC ±0.15                       |  | APPROVAL:  | TZ   | 3MAR20            |
| 3 PL DEC ±0.08                       |  | CUSTOMER:  |      |                   |
| 3) Note reference =                  |  | THIS DRAWING IS SUPPLIED FOR INFORMATION ONLY. DESIGN FEATURES, SPECIFICATIONS AND PERFORMANCE DATA SHOWN HEREON ARE THE PROPERTY OF THE AMPHENOL CORPORATION. NO RIGHTS OF REPRODUCTION ARE IMPLIED. ALL DIMENSIONS ARE SUBJECT TO NORMAL MANUFACTURING VARIATIONS. |      |                   |
| MATERIAL SPECIFICATIONS:             |  | KIT, 2 POSN, F/M PLUG, SCKT PRM SERIES™ MACH CONT, MATES WITH PRM2400-G2-PNL   |      |                   |
| PROCESS SPECIFICATIONS:              |  | SIZE   | TYPE | DWG NO:           |
| NEXT ASSY:                           |  | B  | C-   | PRM2.400-G(X)-PLG |
|                                      |  | SCALE:   | NONE | REVISION          |
|                                      |  |  |      | A1                |
|                                      |  | SHEET 1 OF 1   |      |                   |



TITLE: KIT, 2 POSN, F/M PLUG, SCKT PRM SERIES? DWG NO: REV: A1 SH: 1 OF: 1