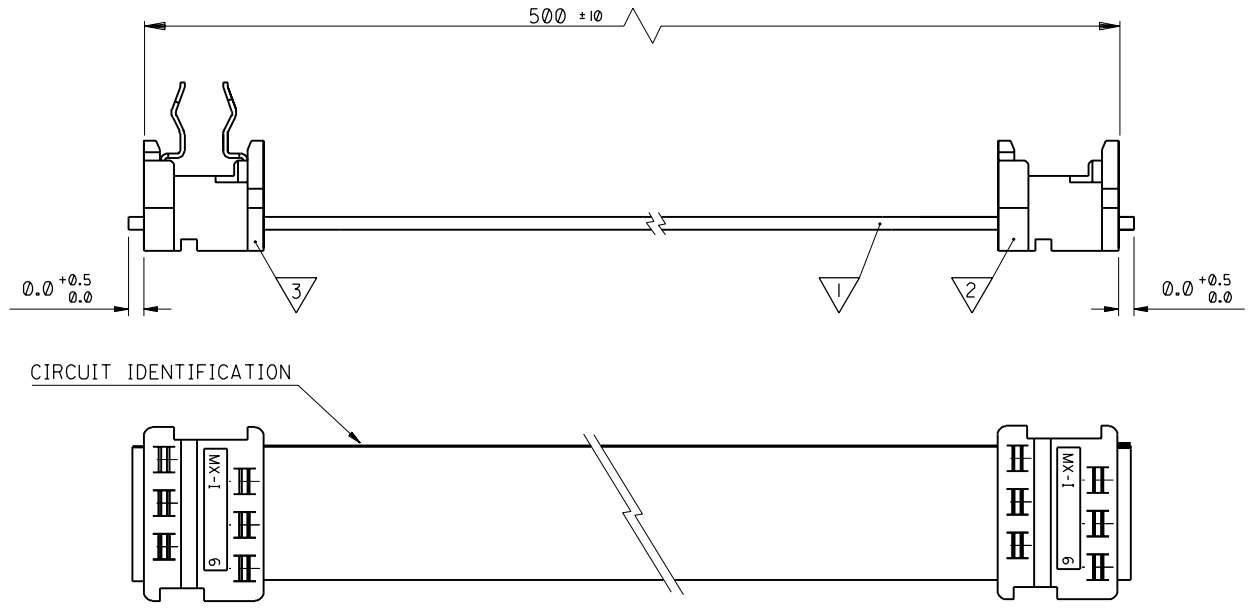


PART NO. 92301-0117  
 DWG. NO. SD-92301-179



ITEM	COMPONENT	DESCRIPTION	QTY	NOTE
1	99026-0028	6 CCT 28 AWG STRANDED TINNED RIBBON CABLE	1	4, 5
2	90327-0357	PICOFLEX FEMALE IDT CONNECTOR	1	1, 2, 5
3	90584-2306	PICOFLEX BOARD-IN IDT CONNECTOR	1	1, 3, 5

NOTES:

1. SEE PRODUCT SPECIFICATIONS PS-99020-0011.
2. SEE TERMINATION SPECIFICATION ES-99033-0001.
3. SEE TERMINATION SPECIFICATION ES-99033-0002.
4. SEE CABLE SPECIFICATION ES-99027-0006.
5. HARNESSES TO BE 100% ELECTRICALLY TESTED.

ORIGINAL RELEASE  
 EC NO. 1999-0540  
 DRWN: D.RYAN 99/06/01  
 CHK: / / / /  
 APPR: / / / /  
 A

DESCRIPTION  
 MAJOR =  
 CRITICAL =  
 C =

	GENERAL TOLERANCES: (UNLESS SPECIFIED)	
	mm	INCH
4 PLACES	±0.	±.
3 PLACES	±0.	±.
2 PLACES	±0.	±.
1 PLACE	±0.	±.

ANGULAR: ± 1/2 °

DRAFT WHERE APPLICABLE MUST  
REMAIN WITHIN DIMENSIONS

SCALE 1 : 1  
 DESIGN UNITS  mm  INCH  
 DRAWN BY & DATE  
 D.RYAN 99/06/01  
 CHECKED BY & DATE  
 BENRIGHT 99/06/01  
 APPROVED BY & DATE  
 MWILHITE 99/06/01  
 CAD FILENAME

DIMENSIONS: <input type="checkbox"/> mm <input type="checkbox"/> INCH <input checked="" type="checkbox"/> mm ONLY		SHT	REV
THIRD ANGLE PROJECTION		REVISE ON CAD ONLY	
TITLE: 6 CCT RIBBON CABLE HARNESS NOKIA DISPLAY P/N QMI062			
MOLEX INCORPORATED			
MATERIAL NO. 92301-0117	DRAWING NO. SD-92301-179	SHEET NO. 1 OF 1	
THIS DRAWING CONTAINS INFORMATION THAT IS PROPRIETARY TO MOLEX INCORPORATED AND SHOULD NOT BE USED WITHOUT WRITTEN PERMISSION.			