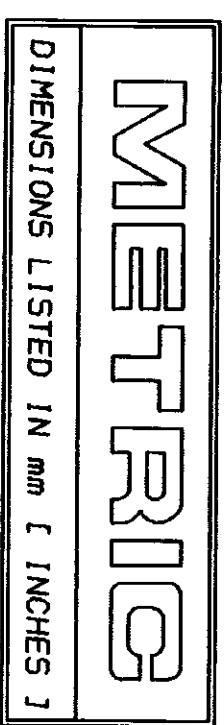


THIS DRAWING IS UNPUBLISHED. RELEASED FOR PUBLICATION BY AMP INCORPORATED. ALL INTERNATIONAL RIGHTS RESERVED. 19

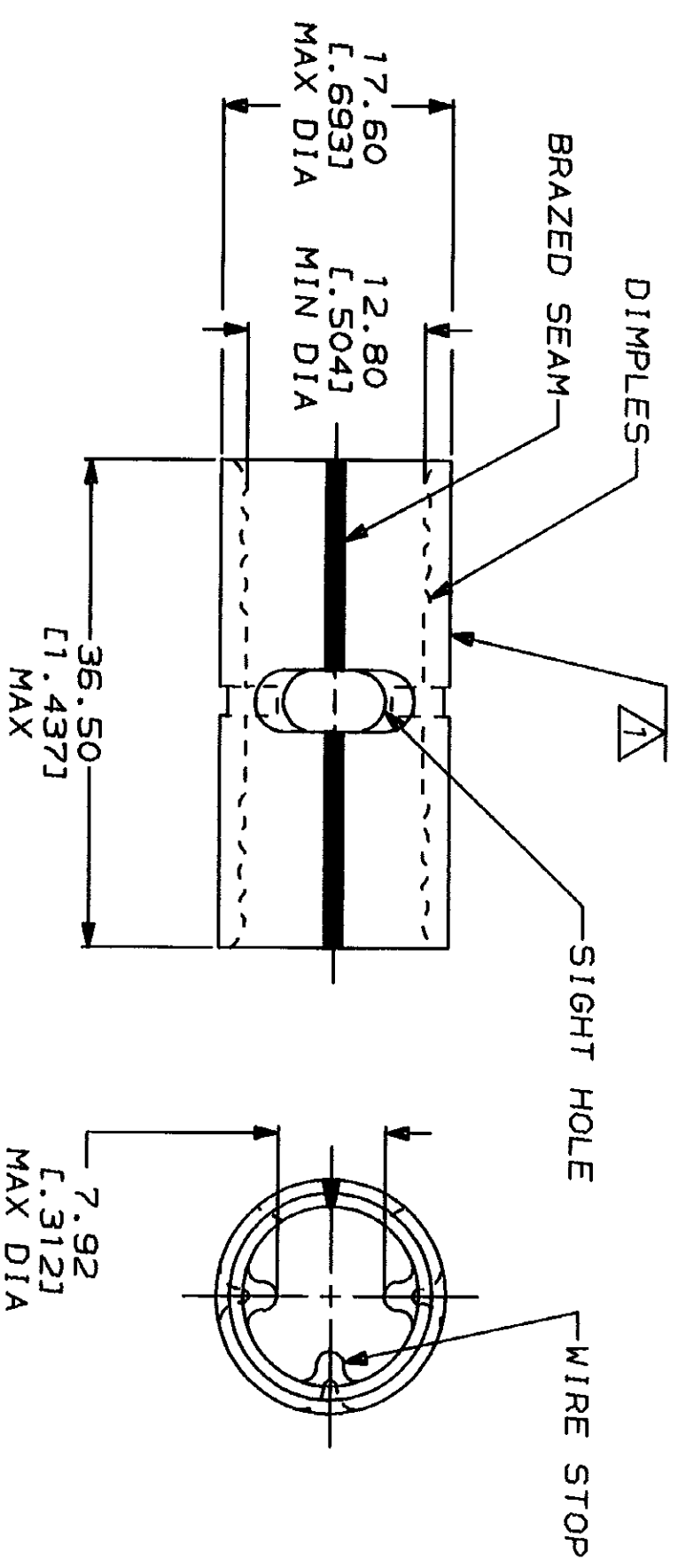
AMP PART NO	MATERIAL	PKG TYPE	QTY
8-36958-3	M/F 8-36958-0	BOX	25
8-36958-5	M/F 8-36958-0	BAG	5

LOC	DIST	P	F	ZONE	LTR	DESCRIPTION	DATE	APPD
6	14				C	REVISED & REDRAWN PER 0720-0037-93	5/24/99	5 PER



AMP WIRE RANGE	UL E13288 Listed
2/0 AWG SOLID OR STRANDED	2/0 AWG SOLID OR STRANDED

2/0 AWG SOLID OR STRANDED	LR7189 Certified MILITARY P/N AND CLASS
	NOT APPLICABLE



1 STAMP AMP 2/0W* APPROX AS SHOWN
2 MATERIAL THK: 2.03±0.08 [1.080 ±.003]

AMP INCORPORATED
CUSTOMER SERVICE SYSTEMS

FOR ADDITIONAL PRODUCT INFORMATION OR COPIES OF DRAWINGS AND TECHNICAL DOCUMENTS
1-800-522-6752
PRODUCT INFORMATION CENTER

FOR APPLICATION TOOLING INFORMATION
1-800-722-1111
TOOLING ASSISTANCE CENTER

MAX RECOMMENDED OPERATING TEMPERATURE: 170°C MAX
VOLTAGE RATING: NOT APPLICABLE
CIRCULAR MIL AREA: 60.6-76.3mm² [119,500-150,500] CIR MILS
SOLID OR STRANDED

FOR ORDER ENTRY
1-800-526-5142

DO NOT SCALE PRINT. DIMENSIONS ON THIS DRAWING ARE IN MILLIMETERS UNLESS SPECIFIED OTHERWISE.
TOLERANCES ON:
2 PLG DEC ± 0.20(0.008)
3 PLG DEC ± . . .
ANGLES
MATERIAL: COPPER PER ASTM B-152 ANNEALED
FINISH: TIN PLATE 0.00254(0.000100) MIN THK PER MIL-T-10727

DR	S/R/SS	OK	SOB/SH
CHK	1/27/94	RD	HEIH
APPD	1/27/94	RE	ROSER
APPD	1/27/94	JL	MEWLEY

AMP	AMP Incorporated Harrisburg, PA 17105-3608
NAME	SPLICE, BUTT, SOLISTRAND™
SIZE	00779
CASE CODE	00779
DRAWING NO	36958
SCALE	2:1
SHEET	1 OF 1