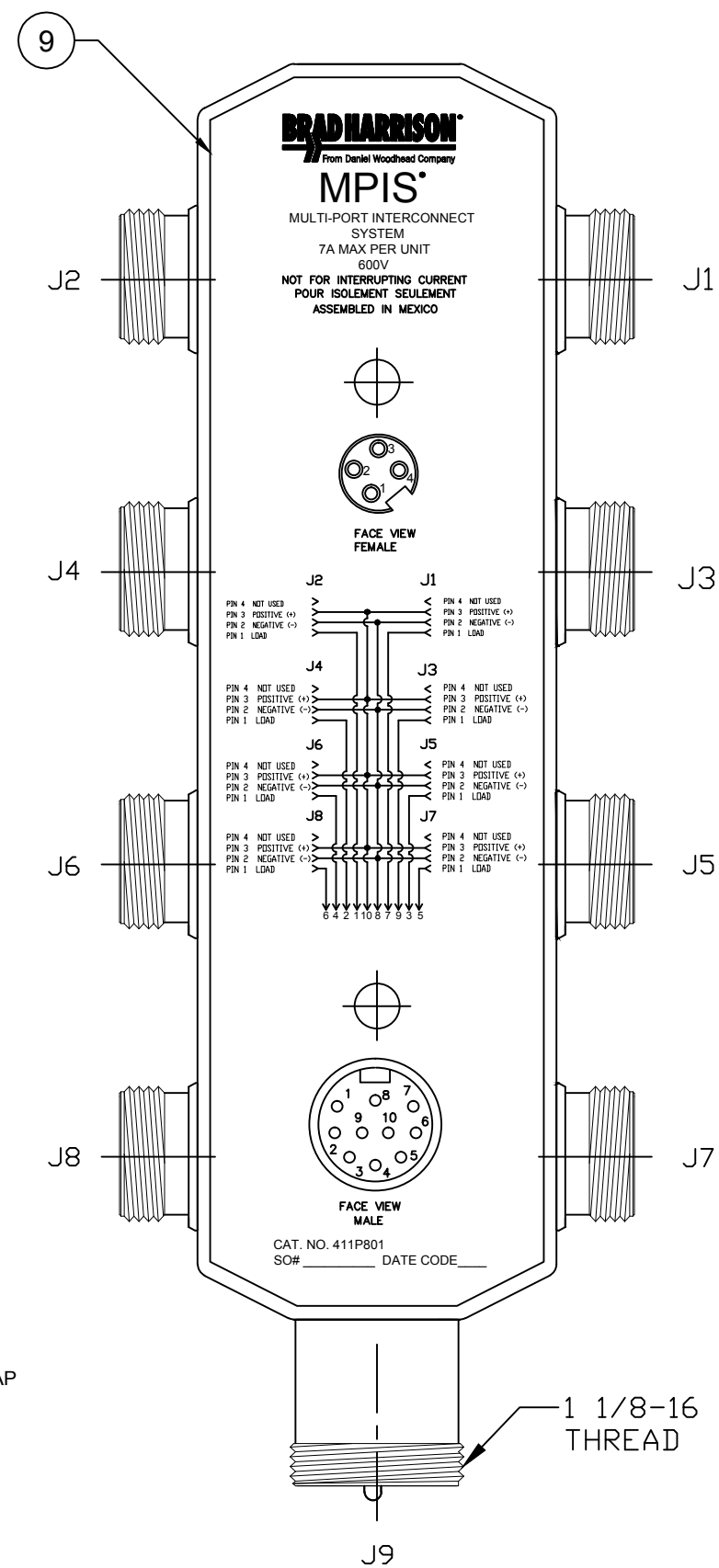
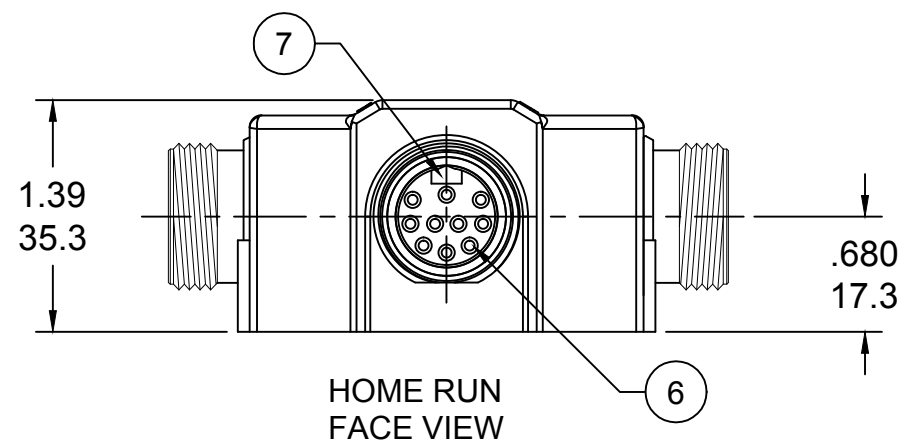
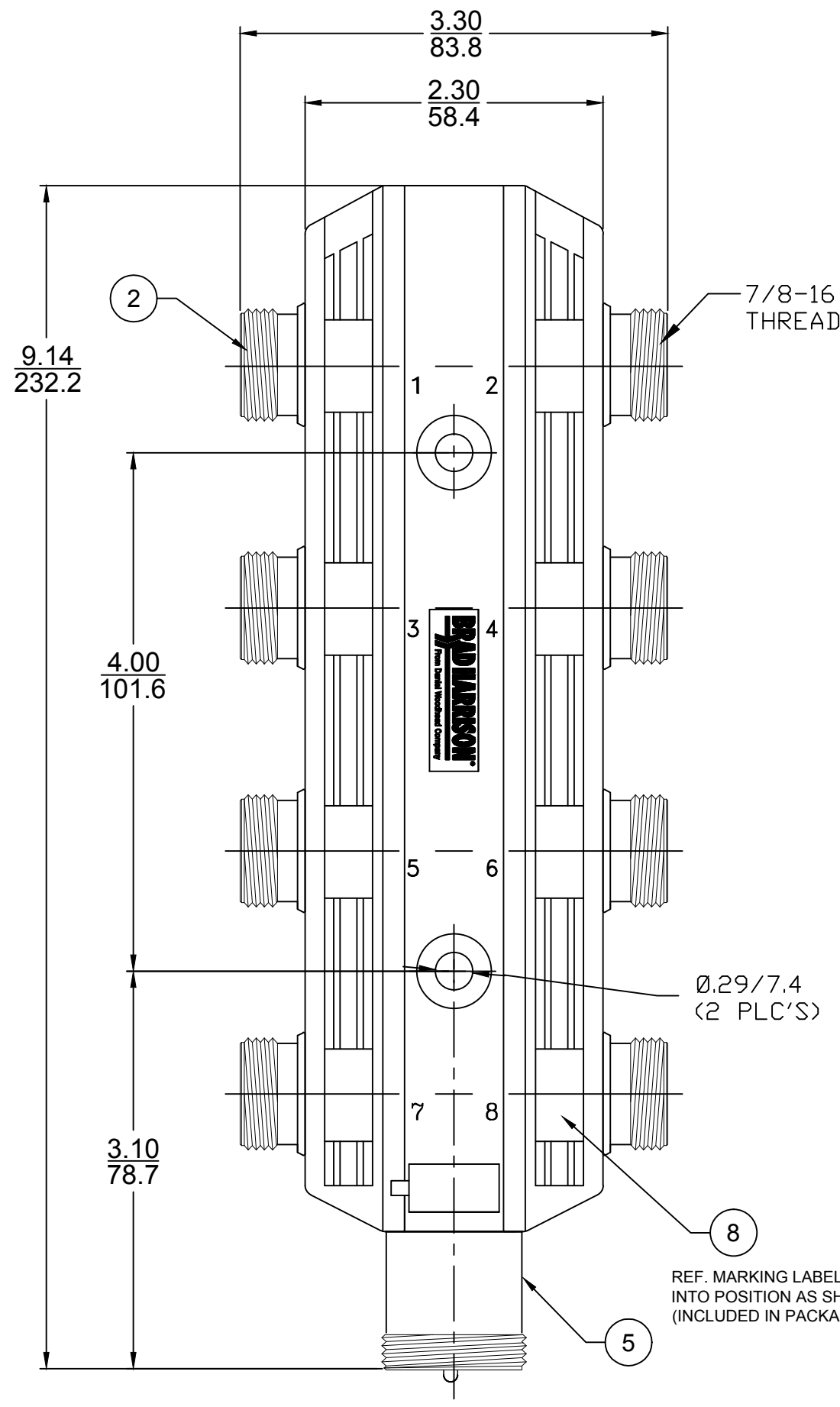
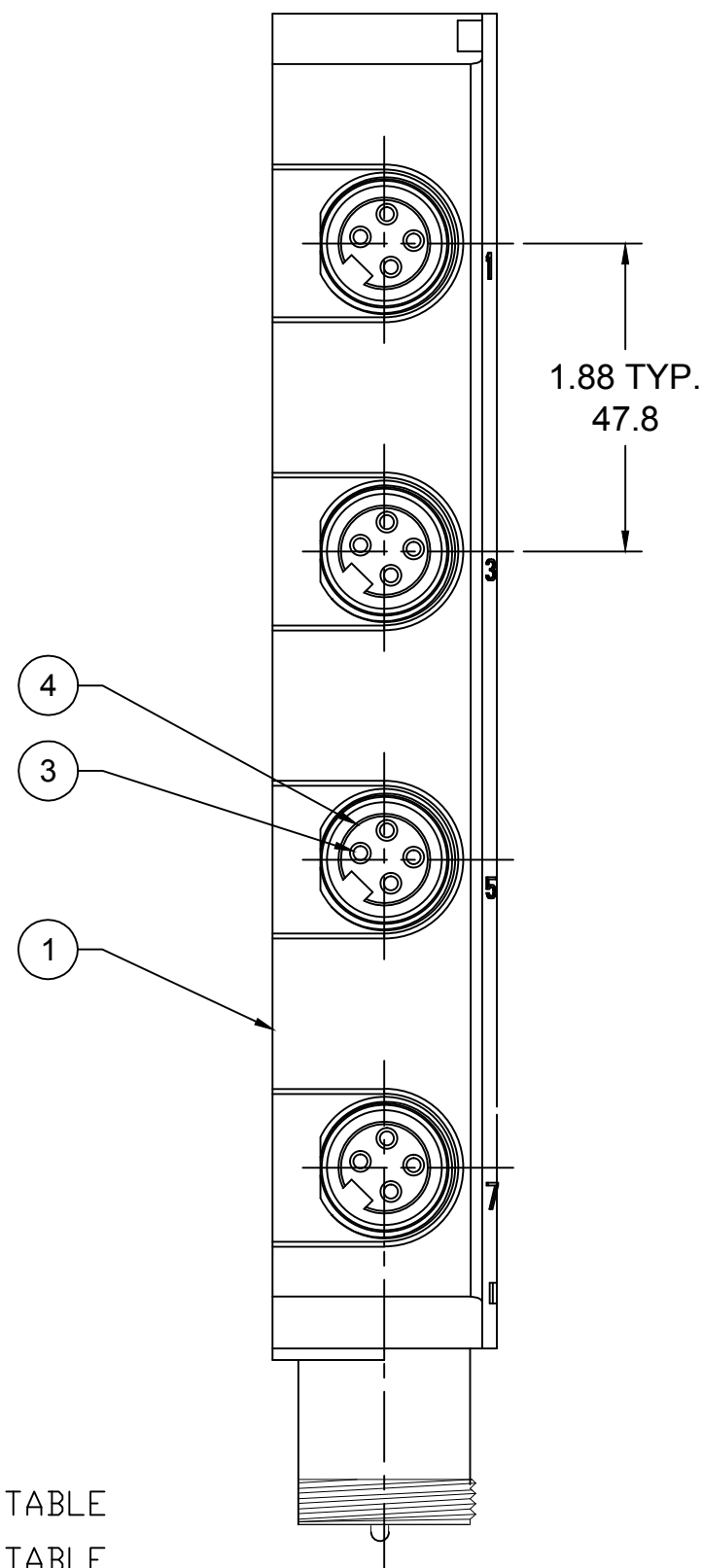
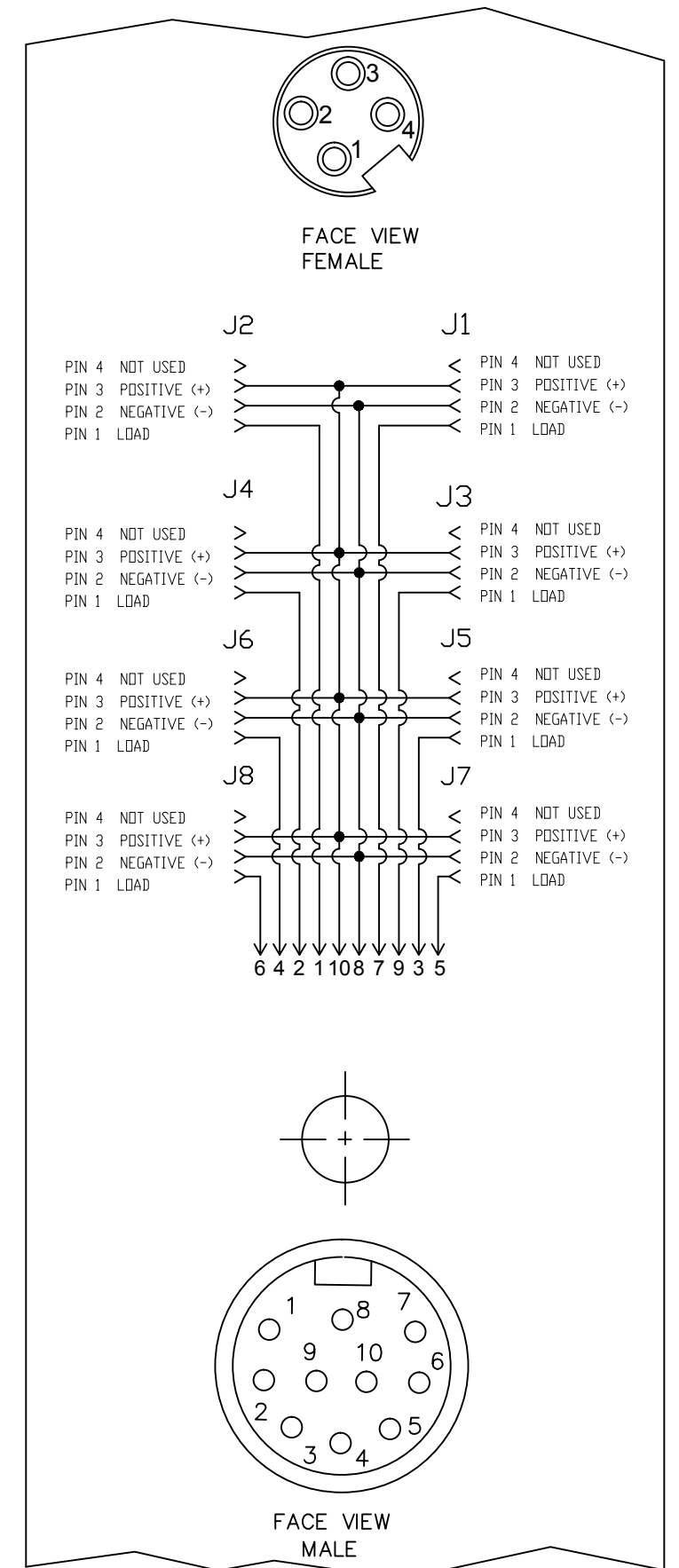


MATERIAL NUMBER	ENGINEERING NUMBER
1300600036	411P801



- PIN 6 / ORANGE-BLK TR LOAD J8
- PIN 4 / RED-BLK TR LOAD J6
- PIN 2 / BLUE LOAD J4
- PIN 1 / ORANGE LOAD J2
- PIN 10 / WHITE POSITIVE (+)
- PIN 8 / GREEN NEGATIVE (-)
- PIN 7 / RED LOAD J1
- PIN 9 / BLACK LOAD J3
- PIN 3 / WHITE-BLK TR LOAD J5
- PIN 5 / GREEN-BLK TR LOAD J7



NOTES:

1. MATERIAL: SEE TABLE
2. FINISHES: SEE TABLE
3. ELECTRICAL DATA:
VOLTAGE: 600V AC/DC
AMPERAGE: 7AMPS PER MPIS UNIT
4. ENVIRONMENTAL:
PROTECTION IP67 (WHEN MATED)
OPERATING TEMPERATURE RANGE: -25 TO 90C
5. LABEL IS MARKED WITH P/N, DATE CODE, AND SCHEMATIC
6. CERTIFICATION:
CSA: CSA CERTIFIED
7. DIMS SHOWN ARE FOR REFERENCE UNLESS NOTED OTHERWISE

ITEM	DESCRIPTION	MATERIAL	FINISH
9	LABEL, 8J MC MPIS	POLYOLEFIN	WHITE
8	MARKING LABEL	LEXAN	WHITE
7	CONTACT PIN	COPPER ALLOY	GOLD PLATED
6	INSERT 10 MALE	PVC	YELLOW
5	RECEPTACLE SHELL (C-SIZE)	E-COATED ZINC ALLOY	BLACK
4	INSERT 4P FEMALE	PVC	YELLOW
3	SOCKET CONTACT	COPPER ALLOY	GOLD PLATED
2	RECEPTACLE SHELL (A-SIZE)	E-COATED ZINC ALLOY	BLACK
1	HOUSING	PBT	YELLOW

REVID KEY TO MATCH HR FACE VIEW	QUALITY SYMBOL
EC NO.: IFC2019-0280	▽=0
DRWN: RSTONE 12/3/18	∇=0
CH'KD: C CHRAST	
APPR: BWOODMAN2017/06/09	
DESCRIPTION	
REV	

GENERAL TOLERANCES (UNLESS SPECIFIED)	
	mm INCH
4 PLACES	±--- ±---
3 PLACES	±--- ±---
2 PLACES	±--- ±---
1 PLACE	±--- ±---
ANGULAR ±---°	
DRAFT WHERE APPLICABLE MUST REMAIN WITHIN DIMENSIONS	

DIMENSION STYLE IN/MM	
DRAWN BY	DATE
RSTONE	2017/04/28
CHECKED BY	DATE
K JOZWIK	----
APPROVED BY	DATE
BWOODMAN	2017/06/09
MATERIAL NO.	
1300600036	
SIZE	
C	

SCALE	DESIGN UNITS	THIRD ANGLE PROJECTION
---	INCH	
TITLE		
8 PORT SIDE MOUNT MPIS 8 PORT 4 POLE FEM WITH 10 P MALE CONNECTOR		
MOLEX INCORPORATED		
MATERIAL NO.	DOCUMENT NO.	SHEET NO.
1300600036	SD-130060-018	1 OF 1
THIS DRAWING CONTAINS INFORMATION THAT IS PROPRIETARY TO MOLEX INCORPORATED AND SHOULD NOT BE USED WITHOUT WRITTEN PERMISSION		