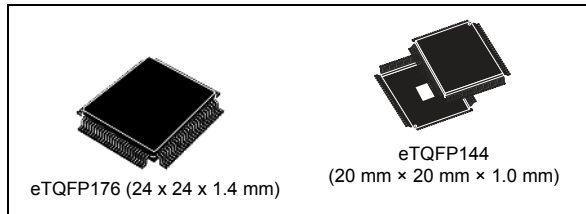


# 32-bit Power Architecture<sup>®</sup> based MCU for automotive applications

Datasheet - production data



## Features



- AEC-Q100 qualified
- Two main 32-bit Power Architecture<sup>®</sup> VLE compliant CPU core (e200z4), dual issue, running in lockstep
  - Single-precision floating point operations
  - 16 KB local instruction SRAM and 64 KB local data SRAM
  - 4 KB I-Cache and 2 KB D-Cache
- One 32-bit Power Architecture<sup>®</sup> VLE compliant I/O processor core (e200z2)
  - Single-precision floating point operations
  - Lightweight Signal Processing Auxiliary Processing Unit (LSP APU) instruction support for digital signal processing (DSP)
  - 16 KB local instruction SRAM and 48 KB local data SRAM
- 2624 KB on-chip flash memory
  - Supporting EEPROM emulation (64 KB)
- 64 KB on-chip general-purpose SRAM (+112 KB data RAM included in the CPUs)
- Multi-channel direct memory access controller (eDMA) with 32 channels
- Dual interrupt controller (INTC)
- Dual phase-locked loops, including one Frequency-modulated
- System integration unit lite (SIUL)
- Boot Assist Flash (BAF) supports factory programming using a serial bootloader through the asynchronous CAN or LIN/UART
- Generic timer module (GTM122)
  - Intelligent complex timer module
  - 88 channels (24 input and 64 output)
  - 3 programmable fine grain multi-threaded cores
  - 26 KB of dedicated SRAM
  - Hardware support for engine control, motor control and safety related applications
- Enhanced analog-to-digital converter system with:
  - 1 supervisor 12-bit SAR analog converter
  - 4 separate fast 12-bit SAR analog converters
  - 2 separate 16-bit Sigma-Delta analog converters
- 5 Deserial Serial Peripheral Interface (DSPI) modules
- 5 LIN and UART communication interface (LINFlexD) modules
- 3 MCAN interfaces with advanced shared memory scheme, two supporting ISO CAN-FD and one supporting TTCAN
- One Ethernet controller 10/100 Mbps, compliant IEEE 802.3-2008
- Dual-channel FlexRay controller
- Nexus development interface (NDI) per IEEE-ISTO 5001-2003 standard, with partial support for 2010 standard
- Device and board test support per Joint Test Action Group (JTAG) (IEEE 1149.1)
- Single 5 V +/-10% Power supply supporting cold start conditions (down to 3.0 V)
- Designed for eTQFP144 and eLQFP176

Table 1. Device summary

Memory Flash size	Root Part Numbers	
	Package eTQFP144	Package eLQFP176
2624 KByte	SPC574K72E5	SPC574K72E7
2112 KByte	SPC574K70E5	SPC574K70E7

# Contents

<b>1</b>	<b>Introduction</b>	<b>10</b>
1.1	Document overview	10
1.2	Description	10
1.3	Device feature summary	10
1.4	Block diagram	12
1.5	Feature overview	15
<b>2</b>	<b>Package pinouts and signal descriptions</b>	<b>17</b>
2.1	Package pinouts	17
2.2	Pin descriptions	19
2.2.1	Power supply and reference voltage pins	19
2.2.2	System pins	19
2.2.3	LVDS pins	20
2.2.4	Generic pins	22
<b>3</b>	<b>Electrical characteristics</b>	<b>23</b>
3.1	Introduction	23
3.2	Parameter classification	23
3.3	Absolute maximum ratings	23
3.4	Electromagnetic compatibility (EMC)	25
3.4.1	BISS port and power supply limits	28
3.5	Electrostatic discharge (ESD)	29
3.6	Operating conditions	29
3.7	Temperature profile	32
3.8	DC electrical specifications	33
3.9	I/O pad specification	35
3.9.1	I/O input DC characteristics	36
3.9.2	I/O output DC characteristics	39
3.10	I/O pad current specification	45
3.11	Reset pad (PORST, ESR0) electrical characteristics	48
3.12	Oscillator and FMPLL	51
3.12.1	FMPLL	51

3.12.2	External oscillator (XOSC) . . . . .	53
3.12.3	Internal oscillator (IRCOSC) . . . . .	55
3.13	ADC specifications . . . . .	56
3.13.1	ADC input description . . . . .	56
3.13.2	SAR ADC electrical specification . . . . .	59
3.13.3	S/D ADC electrical specification . . . . .	64
3.14	Temperature sensor . . . . .	72
3.15	LVDS Fast Asynchronous Serial Transmission (LFAST) pad electrical characteristics . . . . .	72
3.15.1	LFAST interface timing diagrams . . . . .	73
3.15.2	LFAST and MSC/DSPI LVDS interface electrical characteristics . . . . .	74
3.15.3	LFAST PLL electrical characteristics . . . . .	77
3.16	Aurora LVDS electrical characteristics . . . . .	78
3.17	Power management: PMC, POR/LVD, sequencing . . . . .	79
3.17.1	Power management integration . . . . .	80
3.17.2	Main voltage regulator electrical characteristics . . . . .	80
3.17.3	Device voltage monitoring . . . . .	82
3.17.4	Power up/down sequencing . . . . .	84
3.18	Flash memory electrical characteristics . . . . .	85
3.18.1	Flash read wait state and address pipeline control settings . . . . .	88
3.19	AC specifications . . . . .	89
3.19.1	Debug and calibration interface timing . . . . .	89
3.19.2	DSPI timing with CMOS and LVDS pads . . . . .	96
3.19.3	FEC timing . . . . .	112
3.19.4	FlexRay timing . . . . .	115
3.19.5	PSI5 timing . . . . .	118
3.19.6	UART timing . . . . .	119
3.19.7	I2C timing . . . . .	119
3.19.8	GPIO delay timing . . . . .	121
<b>4</b>	<b>Package characteristics . . . . .</b>	<b>122</b>
4.1	ECOPACK® . . . . .	122
4.2	eTQFP144 case drawing . . . . .	123
4.3	eLQFP176 case drawing . . . . .	125
4.4	FusionQuad® case drawing . . . . .	126
4.5	Thermal characteristics . . . . .	131

4.5.1 General notes for specifications at maximum junction temperature . . 132

**5      Ordering information . . . . . 135**

**6      Revision history . . . . . 136**

## List of tables

Table 1.	Device summary . . . . .	2
Table 2.	SPC574Kx device feature summary . . . . .	10
Table 3.	System pins . . . . .	19
Table 4.	LVDSM pin descriptions . . . . .	20
Table 5.	LVDSF pin descriptions . . . . .	22
Table 6.	Parameter classifications . . . . .	23
Table 7.	Absolute maximum ratings . . . . .	23
Table 8.	Radiated emissions testing specification . . . . .	26
Table 9.	Conducted emissions testing specifications . . . . .	26
Table 10.	RF immunity—Direct Power Injection (DPI) test specifications . . . . .	27
Table 11.	ESD ratings . . . . .	29
Table 12.	Device operating conditions . . . . .	30
Table 13.	Emulation (buddy) device operating conditions . . . . .	32
Table 14.	Temperature profile – Packaged parts . . . . .	32
Table 15.	Unbiased temperature profile – Packaged parts . . . . .	33
Table 16.	DC electrical specifications . . . . .	34
Table 17.	I/O pad specification descriptions . . . . .	35
Table 18.	I/O input DC electrical characteristics . . . . .	36
Table 19.	I/O pull-up/pull-down DC electrical characteristics . . . . .	38
Table 20.	WEAK configuration output buffer electrical characteristics . . . . .	41
Table 21.	MEDIUM configuration output buffer electrical characteristics . . . . .	42
Table 22.	STRONG configuration output buffer electrical characteristics . . . . .	43
Table 23.	VERY STRONG configuration output buffer electrical characteristics . . . . .	44
Table 24.	I/O consumption . . . . .	46
Table 25.	Reset electrical characteristics . . . . .	50
Table 26.	PLL0 electrical characteristics . . . . .	51
Table 27.	PLL1 electrical characteristics . . . . .	52
Table 28.	External Oscillator electrical specifications . . . . .	53
Table 29.	Selectable load capacitance . . . . .	54
Table 30.	Internal RC oscillator electrical specifications . . . . .	55
Table 31.	ADC pin specification . . . . .	57
Table 32.	ADC pin specification . . . . .	59
Table 33.	SARn ADC electrical specification . . . . .	60
Table 34.	SDn ADC electrical specification . . . . .	64
Table 35.	Temperature sensor electrical characteristics . . . . .	72
Table 36.	LVDS pad startup and receiver electrical characteristics . . . . .	74
Table 37.	LFAST transmitter electrical characteristics . . . . .	76
Table 38.	MSC/DSPI LVDS transmitter electrical characteristics . . . . .	76
Table 39.	LFAST PLL electrical characteristics . . . . .	77
Table 40.	Aurora LVDS electrical characteristics . . . . .	78
Table 41.	Device Power Supply Integration . . . . .	81
Table 42.	Voltage monitor electrical characteristics . . . . .	83
Table 43.	Device supply relation during power-up/power-down sequence . . . . .	84
Table 44.	Functional terminals state during power-up and reset . . . . .	85
Table 45.	Flash memory program and erase specifications . . . . .	86
Table 46.	Flash memory Life Specification . . . . .	87
Table 47.	Flash memory RWSC configuration . . . . .	88
Table 48.	JTAG pin AC electrical characteristics . . . . .	89

Table 49.	Nexus debug port timing . . . . .	92
Table 50.	Aurora LVDS interface timing specifications . . . . .	94
Table 51.	Aurora debug port timing . . . . .	95
Table 52.	DSPI channel frequency support . . . . .	96
Table 53.	DSPI CMOS master classic timing (full duplex and output only) – MTFE = 0, CPHA = 0 or 1 . . . . .	97
Table 54.	DSPI CMOS master modified timing (full duplex and output only) – MTFE = 1, CPHA = 0 or 1 . . . . .	100
Table 55.	DSPI LVDS master timing – full duplex – modified transfer format (MTFE = 1), CPHA = 0 or 1 . . . . .	105
Table 56.	DSPI LVDS master timing – output only – timed serial bus mode TSB = 1 or ITSB = 1, CPOL = 0 or 1, continuous SCK clock . . . . .	108
Table 57.	DSPI CMOS master timing – output only – timed serial bus mode TSB = 1 or ITSB = 1, CPOL = 0 or 1, continuous SCK clock . . . . .	109
Table 58.	DSPI CMOS Slave timing - Modified Transfer Format (MTFE = 0/1) . . . . .	110
Table 59.	RMII serial management channel timing . . . . .	112
Table 60.	RMII receive signal timing . . . . .	113
Table 61.	RMII transmit signal timing . . . . .	114
Table 62.	TxEN output characteristics . . . . .	115
Table 63.	TxD output characteristics . . . . .	117
Table 64.	RxD input characteristics . . . . .	118
Table 65.	PSI5 timing . . . . .	119
Table 66.	UART frequency support . . . . .	119
Table 67.	I <sup>2</sup> C input timing specifications — SCL and SDA . . . . .	119
Table 68.	I <sup>2</sup> C output timing specifications — SCL and SDA . . . . .	120
Table 69.	GPIO delay timing . . . . .	121
Table 70.	Package case numbers . . . . .	122
Table 71.	Thermal characteristics for eTQFP144 . . . . .	131
Table 72.	Thermal characteristics for eLQFP176 . . . . .	132
Table 73.	Conditional text tags . . . . .	136
Table 74.	Revision history . . . . .	136

## List of figures

Figure 1.	Block diagram . . . . .	13
Figure 2.	Periphery allocation . . . . .	14
Figure 3.	144-pin QFP and 172-pin FQ configuration (top view) . . . . .	17
Figure 4.	176-pin QFP and 216-pin FQ configuration (top view) . . . . .	18
Figure 5.	BISS port limits . . . . .	28
Figure 6.	BISS power supply limits . . . . .	29
Figure 7.	I/O input DC electrical characteristics definition . . . . .	36
Figure 8.	Weak pull-up electrical characteristics definition . . . . .	39
Figure 9.	I/O output DC electrical characteristics definition . . . . .	40
Figure 10.	Start-up reset requirements . . . . .	48
Figure 11.	Noise filtering on reset signal . . . . .	49
Figure 12.	PLL integration . . . . .	51
Figure 13.	Crystal/Resonator Connections . . . . .	54
Figure 14.	Test circuit . . . . .	55
Figure 15.	Input equivalent circuit (Fast SARn channels) . . . . .	56
Figure 16.	Input equivalent circuit (SARB channels) . . . . .	57
Figure 17.	S/D impedance generic model . . . . .	71
Figure 18.	LFAST and MSC/DSPI LVDS timing definition . . . . .	73
Figure 19.	Power-down exit time . . . . .	74
Figure 20.	Rise/fall time . . . . .	74
Figure 21.	LVDS pad external load diagram . . . . .	77
Figure 22.	Voltage regulator capacitance connection . . . . .	80
Figure 23.	Voltage monitor threshold definition . . . . .	82
Figure 24.	JTAG test clock input timing . . . . .	90
Figure 25.	JTAG test access port timing . . . . .	90
Figure 26.	JTAG JCOMP timing . . . . .	91
Figure 27.	JTAG boundary scan timing . . . . .	92
Figure 28.	Nexus event trigger and test clock timings . . . . .	93
Figure 29.	Nexus TDI/TDIC, TMS/TMSC, TDO/TDOC timing . . . . .	94
Figure 30.	Aurora timings . . . . .	96
Figure 31.	DSPI CMOS master mode – classic timing, CPHA = 0 . . . . .	99
Figure 32.	DSPI CMOS master mode – classic timing, CPHA = 1 . . . . .	100
Figure 33.	DSPI PCS strobe (PCSS) timing (master mode) . . . . .	100
Figure 34.	DSPI CMOS master mode – modified timing, CPHA = 0 . . . . .	104
Figure 35.	DSPI CMOS master mode – modified timing, CPHA = 1 . . . . .	104
Figure 36.	DSPI PCS strobe (PCSS) timing (master mode) . . . . .	105
Figure 37.	DSPI LVDS master mode – modified timing, CPHA = 0 . . . . .	107
Figure 38.	DSPI LVDS master mode – modified timing, CPHA = 1 . . . . .	107
Figure 39.	DSPI LVDS and CMOS master timing – output only – modified transfer format MTFE = 1, CPHA = 1 . . . . .	110
Figure 40.	DSPI Slave Mode - Modified transfer format timing (MFTE = 0/1)—CPHA = 0 . . . . .	111
Figure 41.	DSPI Slave Mode - Modified transfer format timing (MFTE = 0/1)—CPHA = 1 . . . . .	112
Figure 42.	RMII serial management channel timing diagram . . . . .	113
Figure 43.	RMII receive signal timing diagram . . . . .	114
Figure 44.	RMII transmit signal timing diagram . . . . .	115
Figure 45.	TxEN signal . . . . .	115
Figure 46.	TxEN signal propagation delays . . . . .	116
Figure 47.	TxD signal . . . . .	117



---

Figure 48.	TxD Signal propagation delays . . . . .	118
Figure 49.	I2C input/output timing . . . . .	121
Figure 50.	eTQFP144 – STMicroelectronics package mechanical drawing (1 of 2) . . . . .	123
Figure 51.	eTQFP144 – STMicroelectronics package mechanical drawing (2 of 2) . . . . .	124
Figure 52.	eLQFP176 – STMicroelectronics package mechanical drawing (1 of 2) . . . . .	125
Figure 53.	eLQFP176 – STMicroelectronics package mechanical drawing (2 of 2) . . . . .	126
Figure 54.	FusionQuad® QFP172 package mechanical drawing (1 of 2) . . . . .	127
Figure 55.	FusionQuad® QFP172 package mechanical drawing (2 of 2) . . . . .	128
Figure 56.	FusionQuad® QFP216 package mechanical drawing (1 of 2) . . . . .	129
Figure 57.	FusionQuad® QFP216 package mechanical drawing (2 of 2) . . . . .	130
Figure 58.	Product code structure . . . . .	135

# 1 Introduction

## 1.1 Document overview

This document provides electrical specifications, pin assignments, and package diagrams for the SPC574Kx series of microcontroller units (MCUs). For functional characteristics, see the SPC574Kx microcontroller reference manual.

## 1.2 Description

This family of MCUs targets automotive powertrain controller applications for four-cylinder gasoline and diesel engines, chassis control applications, transmission control applications, steering and braking applications, as well as low-end hybrid applications.

Many of the applications are considered to be functionally safe and the family is designed to achieve ISO26262 ASIL-D compliance.

## 1.3 Device feature summary

**Table 2. SPC574Kx device feature summary**

Feature		Description
Process		55 nm
Main processor	Core	e200z4
	Number of main cores	1
	Number of checker cores	1
	Local RAM (per main core)	16 KB Instruction 64 KB Data
	Single precision floating point	Yes
	VLE	Yes
	Cache	4 KB Instruction 2 KB Data
I/O processor	Core	e200z2
	Local RAM	16 KB Instruction 48 KB Data
	Single precision floating point	Yes
	LSP	Yes
	VLE	Yes
	Cache	No
Main processor frequency		160 MHz
I/O processor frequency		80 MHz
MPU		Yes

Table 2. SPC574Kx device feature summary(Continued)

Feature	Description
Semaphores	Yes
CRC channels	2
Software watchdog timer (task SWT/safety SWT)	3 (2/1)
Core Nexus class	3+
Sequence processing unit (SPU)	Yes
Debug and calibration interface (DCI) / run control module	Yes
System SRAM	64 KB
Flash memory	2560 KB
Flash memory fetch accelerator	2 × 2 × 256-bit
Data flash memory (EEPROM)	4 × 16 KB
Flash memory overlay RAM	16 KB
UTEST flash memory	16 KB
Boot assist flash (BAF)	16 KB
Calibration interface	64-bit IPS slave
DMA channels	32
DMA Nexus Class	3
LINFlexD (UART/MSC)	5 (3/2)
M_CAN (ISO CAN-FD/TTCAN)	3 (2/1)
DSPI (SPI/MSC/sync SCI)	5 (3/2/1) <sup>(1)</sup>
Microsecond bus downlink	Yes
SENT bus	6
I <sup>2</sup> C	1
PSI5 bus	2
FlexRay	1 × dual channel
Ethernet (RMII)	Yes
Zipwire (SIPI/LFAST) interprocessor bus	High speed
System timers	6 PIT channels 2 AUTOSAR <sup>®</sup> (STM) 64-bit PIT
GTM timer	24 input channels, 64 output channels
GTM RAM	26 KB
Interrupt controller	360 sources
ADC (SAR)	5
ADC (SD)	2
Temperature sensor	Yes

Table 2. SPC574Kx device feature summary(Continued)

Feature	Description
Self-test control unit (STCU2)	Yes
PLL	Dual PLL with FM
Internal linear voltage regulator	1.2 V
External power supplies	5 V <sup>(2)</sup> 3.3 V <sup>(3)</sup>
Low-power modes	Stop mode Slow mode
Packages	eTQFP144 eLQFP176 172-pin FusionQuad <sup>®(4)</sup> 216-pin FusionQuad <sup>®(4)</sup>

1. One of the two MSC DSPs is remapped to be used as sync SCI.
2. The device can be powered up at 5V only.
3. Optional: can be used for special I/O segments.
4. Also available in a 172-pin FusionQuad<sup>®</sup> package, which allows an eTQFP144 pin-compatible package for development, and in a 216-pin FusionQuad<sup>®</sup> package, which allows an eLQFP176 pin-compatible package for development.

## 1.4 Block diagram

*Figure 1* and *Figure 2* show the top-level block diagrams.



Figure 1. Block diagram

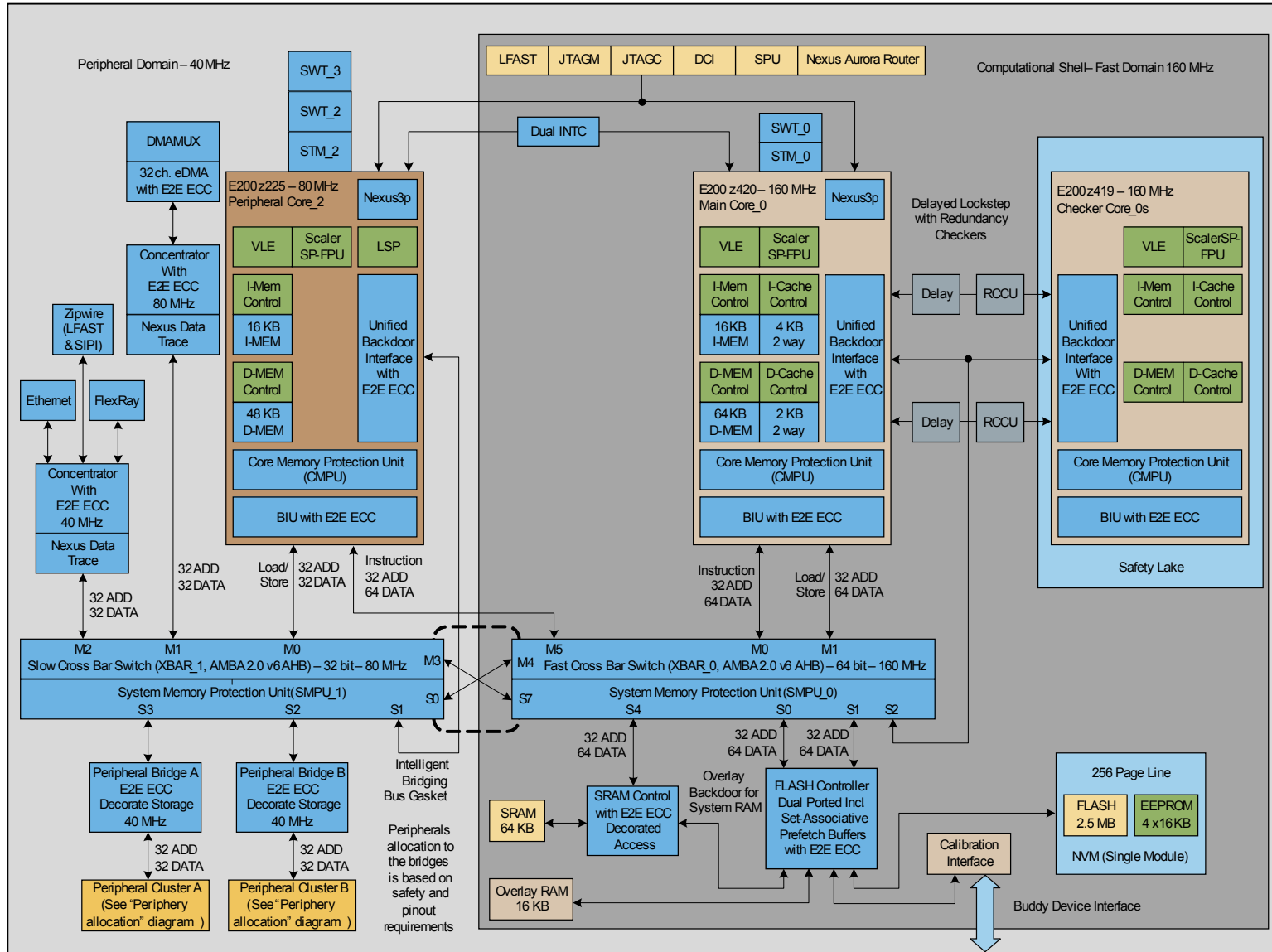
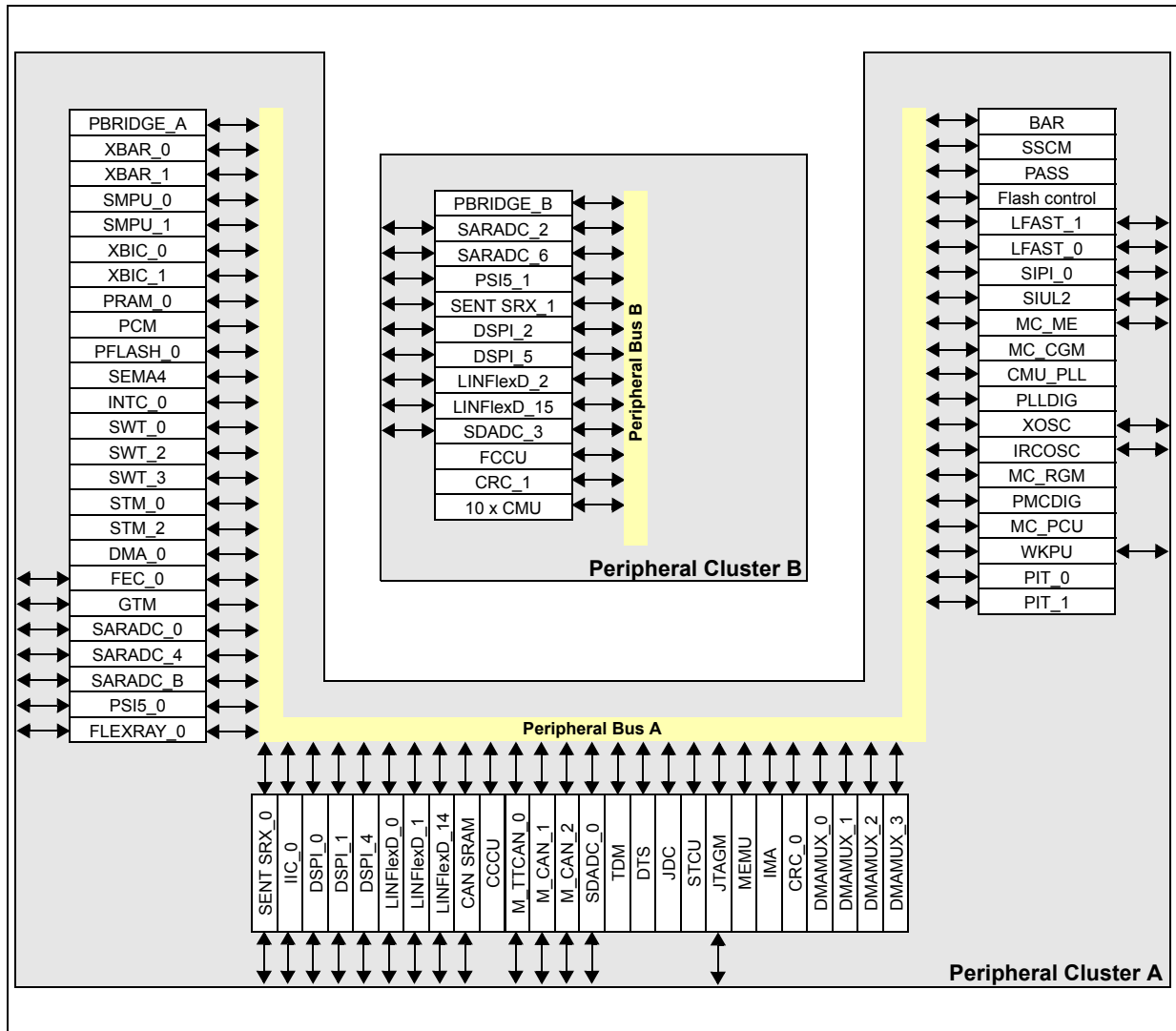


Figure 2. Periphery allocation



## 1.5 Feature overview

On-chip modules within SPC574Kx include the following features:

- One main processor core and one checker core, single-issue, 32-bit CPU core complexes (e200z4), running in lockstep
  - Power Architecture embedded specification compliance
  - Instruction set enhancement allowing variable length encoding (VLE), encoding a mix of 16-bit and 32-bit instructions, for code size footprint reduction
  - Single-precision floating point operations
  - 16 KB local instruction SRAM and 64 KB local data SRAM
  - 4 KB I-Cache and 2 KB D-Cache
- I/O processor, single issue, 32-bit CPU core complexes (e200z2), with
  - Power Architecture embedded specification compliance
  - Instruction set enhancement allowing variable length encoding (VLE), encoding a mix of 16-bit and 32-bit instructions, for code size footprint reduction
  - Single-precision floating point operations
  - Lightweight Signal Processing Auxiliary Processing Unit (LSP APU) instruction support for digital signal processing (DSP)
  - 16 KB local instruction SRAM and 48 KB local data SRAM
- 2624 KB (2560 KB code + 64 KB EEPROM) on-chip flash memory: supports read during program and erase operations, and multiple blocks allowing EEPROM emulation
- 64 KB on-chip general-purpose SRAM (+ 112 KB data RAM included in the CPUs)
- Multi-channel direct memory access controller (eDMA) with 32 channels
- Dual interrupt controller (INTC)
- Dual phase-locked loops with stable clock domain for peripherals and FM modulation domain for computational shell
- Dual crossbar switch architecture for concurrent access to peripherals, flash memory, or SRAM from multiple bus masters with end-to-end ECC
- System integration unit lite (SIUL2)
- Boot assist Flash (BAF) supports factory programming using a serial bootload through the asynchronous CAN or LIN/UART
- Generic timer module (GTM122)
  - Intelligent complex timer module
  - 88 channels (24 input and 64 output)
  - 3 programmable fine grain multi-threaded cores
  - 26 KB of dedicated SRAM
  - 24-bit wide channels
  - Hardware support for engine control, motor control and safety related applications
- Enhanced analog-to-digital converter system with:
  - 1 supervisor 12-bit SAR analog converter
  - 4 separate fast 12-bit SAR analog converters
  - 2 separate 16-bit Sigma-Delta analog converters
- 5 Deserial Serial Peripheral Interface (DSPI) modules

- 5 LIN and UART communication interface (LINFlexD) modules
  - LINFlexD\_0 is a Master/Slave
  - LINFlexD\_1, LINFlexD\_2, LINFlexD\_14, and LINFlexD\_15 are Masters
- 3 MCAN interfaces with advanced shared memory scheme, two supporting ISO CAN-FD and one supporting TTCAN
- One Ethernet controller 10/100 Mbps, compliant IEEE 802.3-2008
- Dual-channel FlexRay controller
- Nexus development interface (NDI) per IEEE-ISTO 5001-2003 standard, with partial support for 2010 standard
- Device and board test support per Joint Test Action Group (JTAG) (IEEE 1149.1)
- Single 5 V +/-10% Power supply supporting cold start conditions (down to 3.0 V) and the supply voltage down to 1.2 V for core logic



## 2 Package pinouts and signal descriptions

### 2.1 Package pinouts

The QFP and FusionQuad® package pinouts are shown in [Figure 3](#) and [Figure 4](#).

Figure 3. 144-pin QFP and 172-pin FQ configuration (top view)

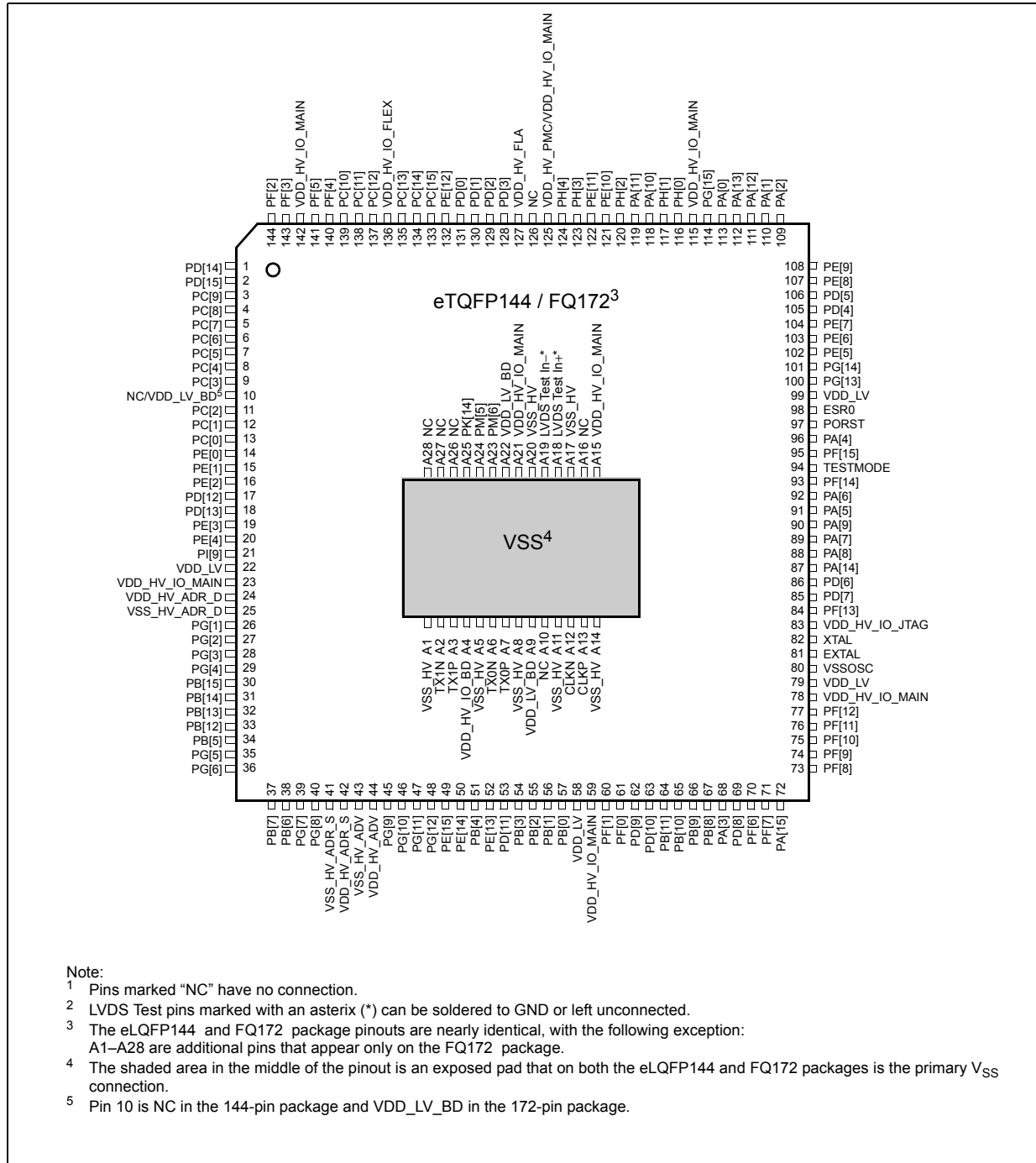
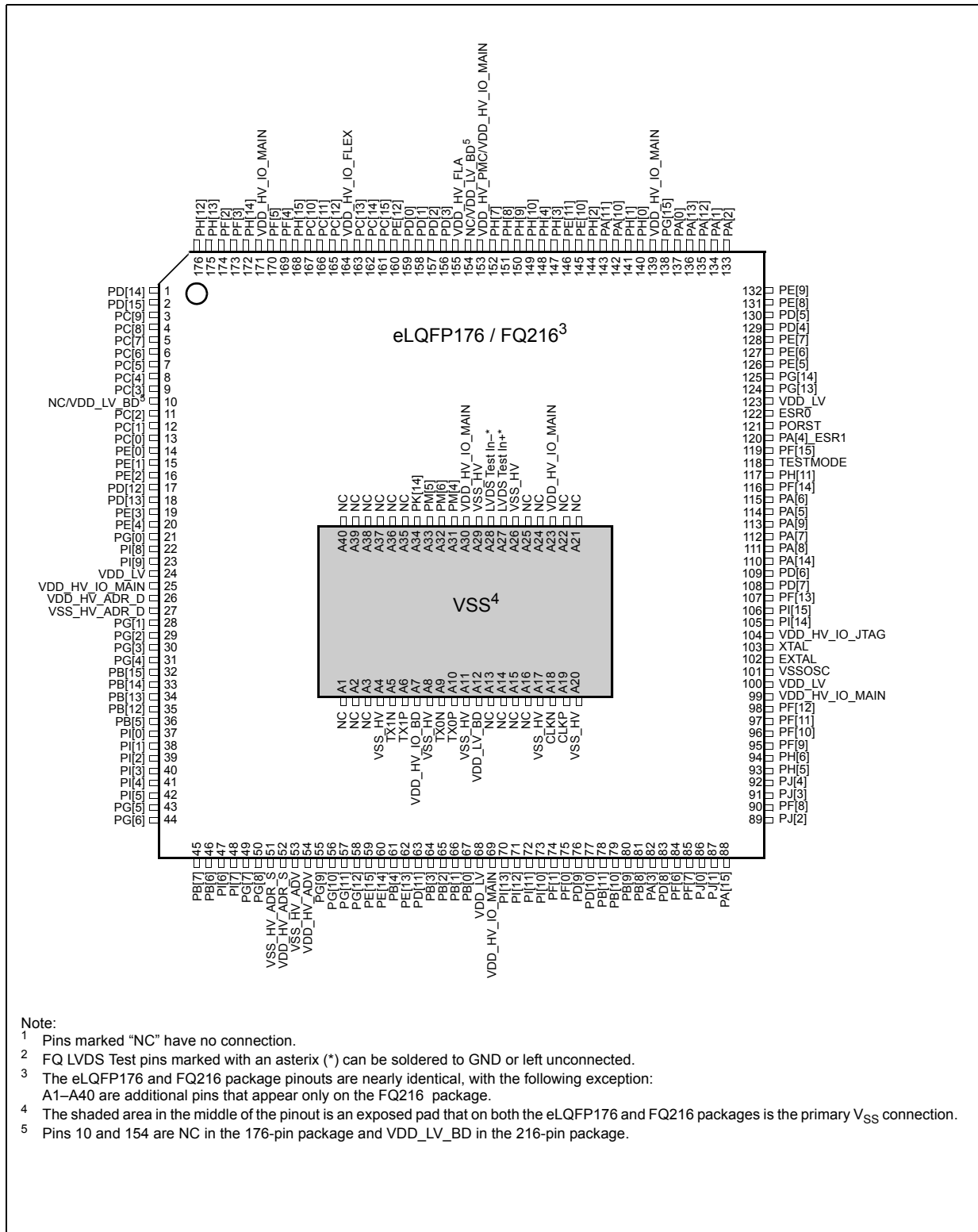


Figure 4. 176-pin QFP and 216-pin FQ configuration (top view)



*Note:* The FusionQuad® package is for development purposes only and is not available as a production device. The FusionQuad package is not intended to be qualified and is available only in small quantities.

## 2.2 Pin descriptions

The following sections provide signal descriptions and related information about device functionality and configuration.

### 2.2.1 Power supply and reference voltage pins

The Supply Pins Table contains information on power supply and reference pins. See the Signal Table (Excel file) attached to this document. Locate the paperclip symbol on the left side of the PDF window, and click it. Double-click on the excel file to open it and select the Supply Pins Table tab.

*Note:* All ground supplies must be toed to ground. They must not float.

### 2.2.2 System pins

Table 3 contains information on system pin functions for the devices.

**Table 3. System pins**

Symbol	Description	Direction	QFP pin			
			144	FQ172	176	FQ216
PORST	Power on reset with Schmitt trigger characteristics and noise filter. PORST is active low	Bidirectional	97		121	
ESR0	External functional reset with Schmitt trigger characteristics and noise filter. ESR0 is active low	Bidirectional	98		122	
TESTMODE	Pin for testing purpose only. An internal pull-down is implemented on the TESTMODE pin to prevent the device from entering TESTMODE. It is recommended to connect the TESTMODE pin to V <sub>SS_HV_IO</sub> on the board. The value of the TESTMODE pin is latched at the negation of reset and has no affect afterward. The device will not exit reset with the TESTMODE pin asserted during power-up.	Input only	94		118	
XTAL	Analog output of the oscillator amplifier circuit needs to be grounded if oscillator is used in bypass mode.	Output	82		103	
EXTAL	Analog input of the oscillator amplifier circuit when oscillator is not in bypass mode Analog input for the clock generator when oscillator is in bypass mode	Input	81		102	

### 2.2.3 LVDS pins

Table 4 contains information on LVDS pin functions for the devices.

**Table 4. LVDSM pin descriptions**

Functional block	Port pin	Signal	Signal description	Direction	Package pin number	
					eTQFP144, FQ172	eLQFP176, FQ216
SIPI LFAST <sup>(1)</sup>	PF[13]	SIPI_RXN	Interprocessor Bus LFAST, LVDS Receive Negative Terminal	I	84	107
	PD[7]	SIPI_RXP	Interprocessor Bus LFAST, LVDS Receive Positive Terminal	I	85	108
	PD[6]	SIPI_TXN	Interprocessor Bus LFAST, LVDS Transmit Negative Terminal	O	86	109
	PA[14]	SIPI_TXP	Interprocessor Bus LFAST, LVDS Transmit Positive Terminal	O	87	110
Debug LFAST <sup>(1)(2)</sup>	PA[8]	DEBUG_TXN	Debug LFAST, LVDS Transmit Positive Terminal	O	88	111
	PA[7]	DEBUG_TXP	Debug LFAST, LVDS Transmit Negative Terminal	O	89	112
	PA[9]	DEBUG_RXP	Debug LFAST, LVDS Receive Negative Terminal	I	90	113
	PA[5]	DEBUG_RXN	Debug LFAST, LVDS Receive Positive Terminal	I	91	114
DSPI 4 Microsecond Bus	PD[3]	SCK_N	DSPI 4 Microsecond Bus Serial Clock, LVDS Negative Terminal	O	128	156
	PD[2]	SCK_P	DSPI 4 Microsecond Bus Serial Clock, LVDS Positive Terminal	O	129	157
	PD[1]	SOUT_N	DSPI 4 Microsecond Bus Serial Data, LVDS Negative Terminal	O	130	158
	PD[0]	SOUT_P	DSPI 4 Microsecond Bus Serial Data, LVDS Positive Terminal	O	131	159
DSPI 5 Microsecond Bus	PF[9]	SCK_N	DSPI 5 Microsecond Bus Serial Clock, LVDS Negative Terminal	O	74	95
	PF[10]	SCK_P	DSPI 5 Microsecond Bus Serial Clock, LVDS Positive Terminal	O	75	96
	PF[11]	SOUT_N	DSPI 5 Microsecond Bus Serial Data, LVDS Negative Terminal	O	76	97
	PF[12]	SOUT_P	DSPI 5 Microsecond Bus Serial Data, LVDS Positive Terminal	O	77	98

Table 4. LVDSM pin descriptions(Continued)

Functional block	Port pin	Signal	Signal description	Direction	Package pin number	
					eTQFP144, FQ172	eLQFP176, FQ216
Differential DSPI 2	PD[3]	SCK_N	Differential DSPI 2 Clock, LVDS Negative Terminal	O	128	156
	PD[2]	SCK_P	Differential DSPI 2 Clock, LVDS Positive Terminal	O	129	157
	PD[1]	SOUT_N	Differential DSPI 2 Serial Output, LVDS Negative Terminal	O	130	158
	PD[0]	SOUT_P	Differential DSPI 2 Serial Output, LVDS Positive Terminal	O	131	159
	PF[13]	SIN_N	Differential DSPI 2 Serial Input, LVDS Negative Terminal	I	84	107
	PD[7]	SIN_P	Differential DSPI 2 Serial Input, LVDS Positive Terminal	I	85	108
Differential DSPI 5	PF[9]	SCK_N	Differential DSPI 5 Clock, LVDS Negative Terminal	O	74	95
	PF[10]	SCK_P	Differential DSPI 5 Clock, LVDS Positive Terminal	O	75	96
	PF[11]	SOUT_N	Differential DSPI 5 Serial Output, LVDS Negative Terminal	O	76	97
	PF[12]	SOUT_P	Differential DSPI 5 Serial Output, LVDS Positive Terminal	O	77	98
	PF[13]	SIN_N	Differential DSPI 5 Serial Input, LVDS Negative Terminal	I	84	107
	PD[7]	SIN_P	Differential DSPI 5 Serial Input, LVDS Positive Terminal	I	85	108

1. DRCLK and TCK/DRCLK usage for SIPI LFAST and Debug LFAST are described in the SPC574Kxx reference manual, refer to SIPI LFAST and Debug LFAST chapters.
2. Pads use special enable signal from DCI block: DCI driven enable for Debug LFAST pads is transparent to user.

Table 5. LVDSF pin descriptions

Functional block	Pad	Signal	Signal description	Direction	Package pin number			
					eTQFP144	FQ172	eLQFP176	FQ216
Nexus Aurora High Speed Trace	—	TXAP	Not available	O	—	—	—	—
	—	TXAN	Not available	O	—	—	—	—
	—	TXBP (TX0P)	Nexus Aurora High Speed Trace Lane 0, LVDS Positive Terminal	O	—	A7	—	A10
	—	TXBN (TX0N)	Nexus Aurora High Speed Trace Lane 0, LVDS Negative Terminal	O	—	A6	—	A9
	—	TXCP (TX1P)	Nexus Aurora High Speed Trace Lane 1, LVDS Positive Terminal	O	—	A3	—	A6
	—	TXCN (TX1N)	Nexus Aurora High Speed Trace Lane 1, LVDS Negative Terminal	O	—	A2	—	A5
	—	TXDP	Not available	O	—	—	—	—
	—	TXDN	Not available	O	—	—	—	—
	—	CLKP (BD-AGBTCLKP)	Nexus Aurora High Speed Trace Clock, LVDS Positive Terminal	O	—	A13	—	A19
	—	CLKN (BD-AGBTCLKN)	Nexus Aurora High Speed Trace Clock, LVDS Negative Terminal	O	—	A12	—	A18
	—	LPBK_P	Aurora High Speed Trace Loopback, LVDS Positive Terminal (LVDS Test In +)	I	—	A18	—	A27
	—	LPBK_N	Aurora High Speed Trace Loopback, LVDS Negative Terminal (LVDS Test In -)	I	—	A19	—	A28

### 2.2.4 Generic pins

The I/O Signal Description Table contains information on generic pins. See the I/O Signal Description and Input Multiplexing Tables (Excel file) attached to this document. Locate the paperclip symbol on the left side of the PDF window, and click it. Double-click on the excel file to open it and select the I/O Signal Description Table tab.

## 3 Electrical characteristics

### 3.1 Introduction

This section contains detailed information on power considerations, DC/AC electrical characteristics, and AC timing specifications.

In the tables where the device logic provides signals with their respective timing characteristics, the symbol “CC” (Controller Characteristics) is included in the “Symbol” column.

In the tables where the external system must provide signals with their respective timing characteristics to the device, the symbol “SR” (System Requirement) is included in the “Symbol” column.

*Note:* Parameters given to junction temperature  $T_J = 150\text{ °C}$  are for packaged parts .

*Note:* Within this document,  $V_{DD\_HV\_IO}$  refers to supply pins  $V_{DD\_HV\_IO\_MAIN}$ ,  $V_{DD\_HV\_IO\_JTAG}$ ,  $V_{DD\_HV\_IO\_FLEX}$ ,  $V_{DD\_HV\_OSC}$  and  $V_{DD\_HV\_FLA}$ .

### 3.2 Parameter classification

The electrical parameters shown in this supplement are guaranteed by various methods. To give the customer a better understanding, the classifications listed in [Table 6](#) are used and the parameters are tagged accordingly in the tables where appropriate.

**Table 6. Parameter classifications**

Classification tag	Tag description
P	Parameters are guaranteed by production testing on each individual device.
C	Parameters are guaranteed by the design characterization by measuring a statistically relevant sample size across process variations.
T	Parameters are guaranteed by design characterization on a small sample size from typical devices under typical conditions unless otherwise noted. All values shown in the typical column are within this category.
D	Parameters are derived mainly from simulations.

### 3.3 Absolute maximum ratings

[Table 7](#) describes the maximum ratings of the device.

**Table 7. Absolute maximum ratings<sup>(1)</sup>**

Symbol		Parameter	Conditions	Value		Unit
				Min	Max	
Cycle	T	Lifetime power cycles	—	—	1000 k	—
$V_{SS\_HV}$	D	Ground voltage	—	—	—	—
$V_{DD\_LV}$	D	1.2 V core supply voltage <sup>(2),(3),(4)</sup>	—	-0.3	1.5	V

Table 7. Absolute maximum ratings<sup>(1)</sup>(Continued)

Symbol		Parameter	Conditions	Value		Unit
				Min	Max	
V <sub>DD_LV_BD</sub>	D	1.2 V Emulation module supply (3),(3),(4)	—	-0.3	1.5	V
V <sub>DD_HV_IO</sub> <sup>(5)</sup>	D	I/O supply voltage <sup>(6)</sup>	—	-0.3	6.0	V
V <sub>DD_HV_IO_BD</sub>	D	I/O Emulation module supply	—	-0.3	6.0	V
V <sub>DD_HV_PMC</sub>	D	Power Management Controller supply voltage <sup>(6)</sup>	—	-0.3	6.0	V
V <sub>SS_HV_ADV</sub>	D	SAR and S/D ADC ground voltage	Reference to V <sub>SS_HV</sub>	-0.3	0.3	V
V <sub>DD_HV_ADV</sub> <sup>(7)</sup>	D	SAR and S/D ADC supply voltage	Reference to V <sub>SS_HV_ADV</sub>	-0.3	6.0	V
V <sub>SS_HV_ADR_D</sub>	D	S/D ADC ground reference	—	-0.3	0.3	V
V <sub>DD_HV_ADR_D</sub>	D	S/D ADC voltage reference	Reference to V <sub>SS_HV_ADR_D</sub>	-0.3	6.0	V
V <sub>SS_HV_ADR_S</sub>	D	SAR ADC ground reference	—	-0.3	0.3	V
V <sub>DD_HV_ADR_S</sub>	D	SAR ADC voltage reference	Reference to V <sub>SS_HV_ADR_S</sub>	-0.3	6.0	V
V <sub>DD_LV_BD</sub> - V <sub>DD_LV</sub>	—	Emulation module supply differential to 1.2 V core supply	—	-0.3	1.5	V
V <sub>SS</sub> - V <sub>SS_HV_ADR_D</sub>	D	V <sub>SS_HV_ADR_D</sub> differential voltage	—	-0.3	0.3	V
V <sub>SS</sub> - V <sub>SS_HV_ADR_S</sub>	D	V <sub>SS_HV_ADR_S</sub> differential voltage	—	-0.3	0.3	V
V <sub>SS_HV</sub> - V <sub>SS_HV_ADV</sub>	D	V <sub>SS_HV_ADV</sub> differential voltage	—	-0.3	0.3	V
V <sub>IN</sub>	D	I/O input voltage range <sup>(8)</sup>	—	-0.3	6.0	V
			Relative to V <sub>SS_HV_IO</sub> <sup>(9),(10)</sup>	-0.3	—	
			Relative to V <sub>DD_HV_IO</sub> <sup>(9),(10)</sup>	—	0.3	
			Relative to V <sub>DD_HV_ADV</sub>	—	0.3	
I <sub>INJD</sub>	T	Maximum DC injection current for digital pad	Per pin, applies to all digital pins	-5	5	mA
I <sub>INJA</sub>	T	Maximum DC injection current for analog pad	Per pin, applies to all analog pins	-5	5	mA
I <sub>MAXD</sub>	SR	Maximum output DC current when driven	Medium	-7	8	mA
			Strong	-10	10	
			Very strong	-11	11	
I <sub>MAXSEG</sub>	SR	Maximum current per power segment <sup>(11)</sup>	—	-90	90	mA
T <sub>STG</sub>	T	Storage temperature range and non-operating times	—	-55	175	°C



Table 7. Absolute maximum ratings<sup>(1)</sup>(Continued)

Symbol	Parameter	Conditions	Value		Unit	
			Min	Max		
STORAGE	—	Maximum storage time, assembled part programmed in ECU	No supply; storage temperature in range –40 °C to 85 °C	—	20	years
T <sub>SDR</sub>	T	Maximum solder temperature <sup>(12)</sup> Pb-free package	—	—	260	°C
MSL	T	Moisture sensitivity level <sup>(13)</sup>	—	—	3	—
t <sub>XRAY</sub>	T	X-ray screen time	At 80÷130 KV; 20÷50 µA; max 1 Gy dose	—	200	ms

- Functional operating conditions are given in the DC electrical specifications. Absolute maximum ratings are stress ratings only, and functional operation at the maxima is not guaranteed. Stress beyond the listed maxima may affect device reliability or cause permanent damage to the device.
- Allowed 1.45 – 1.5 V for 60 seconds cumulative time at maximum T<sub>J</sub> = 125 °C, remaining time as defined in note 3 and note 4
- Allowed 1.375 – 1.45 V for 10 hours cumulative time at maximum T<sub>J</sub> = 125 °C, remaining time as defined in note 4
- 1.32 – 1.375 V range allowed periodically for supply with sinusoidal shape and average supply value below 1.288 V at maximum T<sub>J</sub> = 125 °C
- V<sub>DD\_HV\_IO</sub> refers to supply pins V<sub>DD\_HV\_IO\_MAIN</sub>, V<sub>DD\_HV\_IO\_JTAG</sub>, V<sub>DD\_HV\_IO\_FLEX</sub>, V<sub>DD\_HV\_OSC</sub>, V<sub>DD\_HV\_FLTA</sub>.
- Allowed 5.5–6.0 V for 60 seconds cumulative time with no restrictions, for 10 hours cumulative time device in reset, T<sub>J</sub> = 125 °C, remaining time at or below 5.5 V.
- Includes ADC supplies V<sub>DD\_HV\_ADV\_S</sub> and V<sub>DD\_HV\_ADV\_D</sub>. V<sub>DD\_HV\_ADV</sub> is also the supply for the device temperature sensor and bandgap reference.
- The maximum input voltage on an I/O pin tracks with the associated I/O supply maximum. For the injection current condition on a pin, the voltage equals the supply plus the voltage drop across the internal ESD diode from I/O pin to supply. The diode voltage varies significantly across process and temperature, but a value of 0.3V can be used for nominal calculations.
- V<sub>DD\_HV\_IO</sub>/V<sub>SS\_HV\_IO</sub> refers to supply pins and corresponding grounds: V<sub>DD\_HV\_IO\_MAIN</sub>, V<sub>DD\_HV\_IO\_FLEX</sub>, V<sub>DD\_HV\_IO\_JTAG</sub>, V<sub>DD\_HV\_OSC</sub>, V<sub>DD\_HV\_FLTA</sub>.
- Relative value can be exceeded if design measures are taken to ensure injection current limitation (parameters I<sub>INJD</sub> and I<sub>INJA</sub>).
- Sum of all controller pins (including both digital and analog) must not exceed 200 mA. A V<sub>DD\_HV\_IO</sub> power segment is defined as one or more GPIO pins located between two V<sub>DD\_HV\_IO</sub> supply pins.
- Solder profile per IPC/JEDEC J-STD-020D.
- Moisture sensitivity per JEDEC test method A112.

### 3.4 Electromagnetic compatibility (EMC)

Table 8 and Table 9 describe the EMC characteristics of the device.

**Table 8. Radiated emissions testing specification<sup>(1), (2)</sup>**

Coupling structure	Test setup	Function	Functional configuration	BISS radiated emissions limit
Entire IC	(G) TEM	Reference test	C1-S3	36 dB $\mu$ V
		Reference test with SSCG	C1-S3	36 dB $\mu$ V
		Memory copy	C4-S2	36 dB $\mu$ V
		Memory copy with SSCG	C4-S2	36 dB $\mu$ V

1. Reference "BISS Generic IC EMC Test Specification", version 1.2, section 9.3, "Emission test configuration for ICs with CPU".
2. The EMC parameters are classified as "T", validated on testbench.

*Table 9* contains the conducted emissions testing specifications. The BISS port limits are described in [Section 3.4.1, BISS port and power supply limits](#).

**Table 9. Conducted emissions testing specifications<sup>(1)</sup>**

Module	Signal	Single/ Differential	Functional configuration	Emission test method	BISS limits <sup>(2)(3)</sup>
				150 $\Omega$	
CAN	TXCAN	Single	C1-S3, C5-S3	Yes	As per <a href="#">Figure 5</a>
	RXCAN			Yes	As per <a href="#">Figure 5</a>
DSPI	SCLK - Diff	Differential	C1-S3, C5-S3	Yes	As per <a href="#">Figure 5</a>
	MRST - Diff			Yes	As per <a href="#">Figure 5</a>
	MTSR - Diff			Yes	As per <a href="#">Figure 5</a>
	SCK	Single	C1-S3, C5-S3	Yes	As per <a href="#">Figure 5</a>
	MRST <sup>(4)</sup>			Yes	As per <a href="#">Figure 5</a>
	MTSR <sup>(4)</sup>			Yes	As per <a href="#">Figure 5</a>
Ethernet	TXD <sup>(5)</sup>	Single	C1-S3	Yes	As per <a href="#">Figure 5</a>
	RXD <sup>(5)</sup>			Yes	As per <a href="#">Figure 5</a>
	REF_CLK			Yes	As per <a href="#">Figure 5</a>
	TXCLK			Yes	As per <a href="#">Figure 5</a>
	RXCLK			Yes	As per <a href="#">Figure 5</a>
FlexRay	TXD	Single	C1-S3, C5-S3	Yes	As per <a href="#">Figure 5</a>
	RXD			Yes	As per <a href="#">Figure 5</a>
I <sup>2</sup> C	SCL	Single	C1-S3	Yes	As per <a href="#">Figure 5</a>
	SDA			Yes	As per <a href="#">Figure 5</a>
PSI5	PSI-TX	Single	C1-S3	Yes	As per <a href="#">Figure 5</a>
	PSI-RX			Yes	As per <a href="#">Figure 5</a>
SENT	SENT	Single	C1-S3	Yes	As per <a href="#">Figure 5</a>

**Table 9. Conducted emissions testing specifications<sup>(1)</sup>(Continued)**

Module	Signal	Single/ Differential	Functional configuration	Emission test method	BISS limits <sup>(2)(3)</sup>
				150 Ω	
SIPI	RF_TX	Differential	C1-S3	Yes	As per <a href="#">Figure 5</a>
	RF_RX			Yes	As per <a href="#">Figure 5</a>
	SysClk Tx	Single (10/20 MHz)		Yes	As per <a href="#">Figure 5</a>
	SysClk Rx			Yes	As per <a href="#">Figure 5</a>
SCI	TXD	Single	C1-S3	Yes	As per <a href="#">Figure 5</a>
	RXD			Yes	As per <a href="#">Figure 5</a>
LINFlex	LINTX	Single	C1-S3, C5-S3	Yes	As per <a href="#">Figure 5</a>
	LINRX			Yes	As per <a href="#">Figure 5</a>
Oscillator	XTAL	Single	C1-S3	Yes	As per <a href="#">Figure 5</a>
	EXTAL			Yes	As per <a href="#">Figure 5</a>
External clock	SYSClk <sup>(6)</sup>	Single	C1-S3	Yes	As per <a href="#">Figure 5</a>
GPIO	GPIO <sup>(7)</sup>	Single	C1-S3, C5-S3	Yes	As per <a href="#">Figure 5</a>
1.2 V core supply voltage	V <sub>DD_LV</sub>	N/A	C1-S3	Yes	As per <a href="#">Figure 6</a>
I/O supply voltage	V <sub>DD_HV_IO</sub>	N/A	C1-S3	Yes	As per <a href="#">Figure 6</a>
Power management controller (PMC) supply voltage	V <sub>DD_HV_PMC</sub>	N/A	C1-S3	Yes	As per <a href="#">Figure 6</a>

1. Reference “BISS Generic IC EMC Test Specification”, section 9.3, “Emission test configuration for ICs with CPU”.
2. All pins of the microcontroller are defined as ‘Local’ (according to BISS specification). Therefore, the supply pin on the microcontroller are tested to ‘Local’ requirements.
3. Limits apply to signal under test in static mode only
4. BISS port limits measured with SCK frequency below 10 MHz
5. BISS port limits: The 25/50 MHz clocks for an Ethernet RMII interface could cause the limits specified in [Figure 5 \(BISS port limits\)](#) to be exceeded unless care is taken in the application to ensure high EMC.
6. BISS port limits measured with clock less than 10 MHz and only one clock enabled at a time
7. BISS port limits: GPIO toggling less than 50 kHz and not more than 40 GPIO pins toggling simultaneously

**Table 10. RF immunity—Direct Power Injection (DPI) test specifications<sup>(1)</sup>**

Module	Signal	Monitor pin	Function	BISS signal/power supply limit class
Oscillator	XTAL	EXTCLK	C11	0 dBm
Reset	PORST	GPIO	C10	12 dBm
	ESR0	GPIO	C10	12 dBm
Test controller	TESTMODE	GPIO	C10	12 dBm
VDD core	V <sub>DD_LV</sub>	Power	C10	12 dBm
VDD I/O	V <sub>DD_HV_IO</sub>	Power	C10	12 dBm
VDD FlexRay I/O	V <sub>DD_HV_IO_FLX</sub>	Power	C10	12 dBm

**Table 10. RF immunity—Direct Power Injection (DPI) test specifications<sup>(1)</sup>(Continued)**

Module	Signal	Monitor pin	Function	BISS signal/power supply limit class
VDD regulator	V <sub>DD_HV_PMC</sub>	Power	C10	0 dBm
VDD Flash	V <sub>DD_HV_FLA</sub>	Power	C10	12 dBm
VDD JTAG/OSC	V <sub>DD_HV_IO_JTAG</sub>	Power	C10	0 dBm

1. Reference “BISS Generic IC EMC Test Specification”, section 9.4, “Immunity test configuration for ICs with CPU”.

### 3.4.1 BISS port and power supply limits

Figure 5 shows the BISS port limits behavior and Figure 6 shows BISS power supply limits behavior. Class limits apply to signal under test in static mode only.

All pins of the microcontroller are defined as ‘Local’ (according to BISS specification). Therefore, the supply pins on the microcontroller are tested to ‘Local’ requirements.

**Figure 5. BISS port limits**

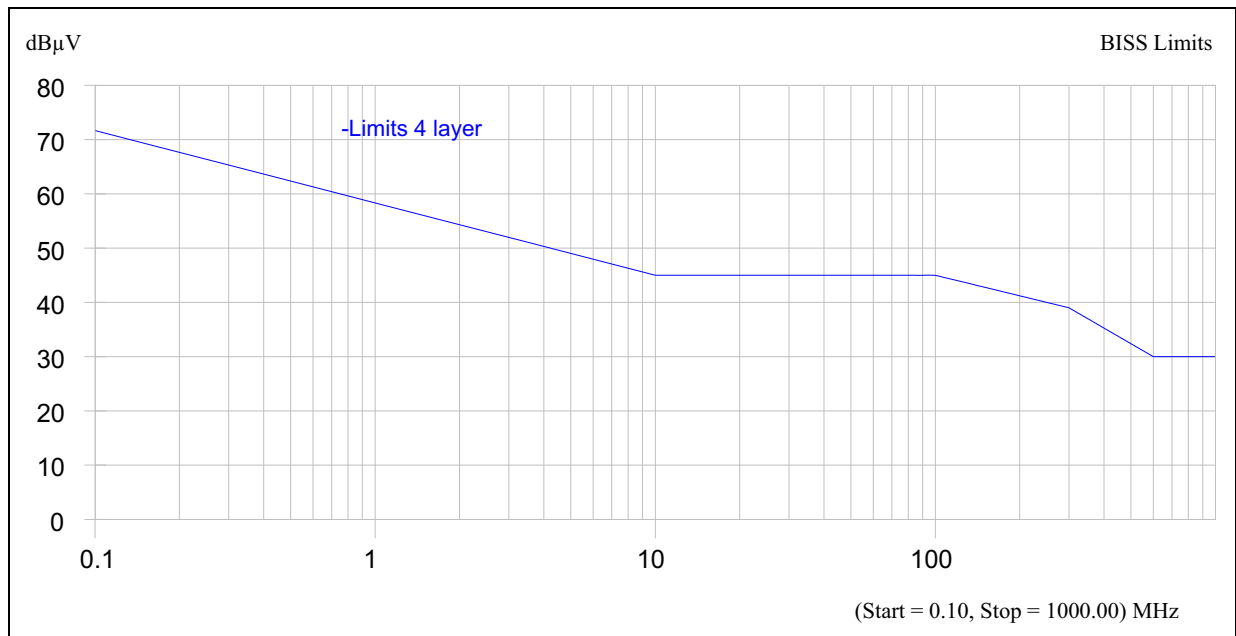
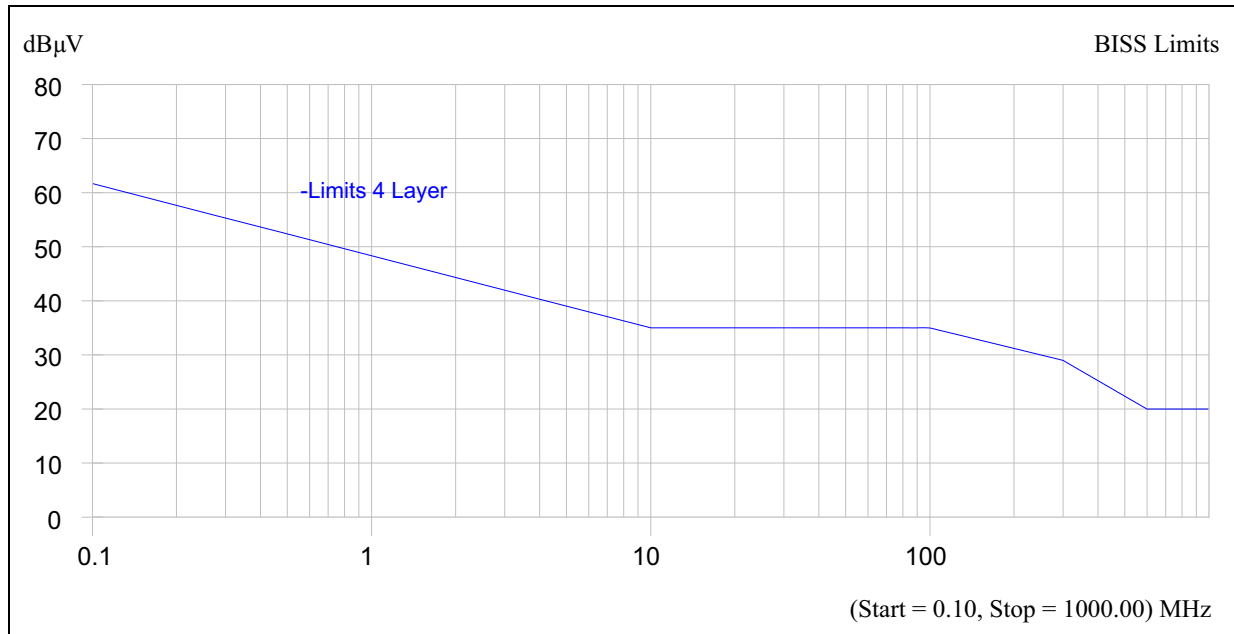


Figure 6. BISS power supply limits



### 3.5 Electrostatic discharge (ESD)

The following table describes the ESD ratings of the device.

Table 11. ESD ratings<sup>(1)(2)</sup>

Parameter	C	Conditions	Value	Unit
ESD for Human Body Model (HBM) <sup>(3)</sup>	T	All pins	2000	V
ESD for field induced Charged Device Model (CDM) <sup>(4)</sup>	T	All pins	500	V

1. All ESD testing is in conformity with CDF-AEC-Q100 Stress Test Qualification for Automotive Grade Integrated Circuits.
2. Device failure is defined as: "If after exposure to ESD pulses, the device does not meet the device specification requirements, which includes the complete DC parametric and functional testing at room temperature and hot temperature. Maximum DC parametrics variation within 10% of maximum specification"
3. This parameter tested in conformity with ANSI/ESD STM5.1-2007 Electrostatic Discharge Sensitivity Testing
4. This parameter tested in conformity with ANSI/ESD STM5.3-1990 Charged Device Model - Component Level

### 3.6 Operating conditions

The following table describes the operating conditions for the device for which all specifications in the datasheet are valid, except where explicitly noted.

The device operating conditions must not be exceeded or the functionality of the device is not guaranteed.

Table 12. Device operating conditions<sup>(1)</sup>

Symbol	C	Parameter	Conditions	Value			Unit	
				Min	Typ	Max		
<b>Frequency</b>								
f <sub>SYS</sub>	SR	C	Device operating frequency <sup>(2)</sup>	T <sub>J</sub> = -40 °C to 150 °C	—	—	160	MHz
f <sub>LBIST</sub>	SR	C	Self-test operating frequency	T <sub>J</sub> = -40 °C to 150 °C	—	—	20	MHz
<b>Temperature</b>								
T <sub>J</sub>	SR	P	Junction Temperature		-40.0	—	150.0	°C
T <sub>A</sub> (T <sub>L</sub> to T <sub>H</sub> )	SR	P	Ambient temperature		-40.0	—	125.0	°C
<b>Voltage</b>								
V <sub>DD_LV</sub>	CC	P	Core supply voltage measured at external pin <sup>(3),(4)</sup>	Refer to <a href="#">Section 3.17: Power management: PMC, POR/LVD, sequencing</a>				V
V <sub>DD_HV_IO_MAIN</sub>	SR	P	I/O supply voltage	LVD400/HVD600 enabled	4.5	—	5.5	V
		C		LVD400/HVD600 disabled <sup>(5),(6),(7)</sup>	4.0	—	5.9	
		C			3.0	—	5.9	
V <sub>DD_HV_IO_JTAG</sub>	SR	P	JTAG I/O supply voltage <sup>(8)</sup>	5 V range	4.5	—	5.5	V
		C		3.3 V range	3.0	—	3.6	
		C		5 V range	4.0	—	5.9	
V <sub>DD_HV_IO_FLEX</sub>	SR	P	FlexRay I/O supply voltage	5 V range	4.5	—	5.5	V
		C		3.3 V range	3.0	—	3.6	
V <sub>DD_HV_PMC</sub> <sup>(9)</sup>	SR	P	Power Management Controller (PMC) supply voltage	Full functionality	4.5	—	5.5	V
		C			3.0	—	5.5	
V <sub>DD_HV_FL<sub>A</sub></sub> <sup>(10),(11)</sup>	CC	P	Flash core voltage	—	3.0	—	5.5	V
V <sub>DD_HV_ADV</sub>	SR	P	SARADC and SDADC supply voltage	LVD295/ enabled	4.5	—	5.5	V
		C		LVD295/ disabled <sup>(5),(6)</sup>	4.0	—	5.9	
		C		LVD295/ disabled <sup>(5),(6)</sup>	3.7	—	5.9	
V <sub>DD_HV_ADR_D</sub>	SR	P	SD ADC supply reference voltage	—	4.5	V <sub>DD_HV_ADV</sub>	5.5	V
		C			4.0		5.9	
		C			3.0		4.0	
V <sub>DD_HV_ADR_D</sub> - V <sub>DD_HV_ADV</sub>	SR	D	SD ADC reference differential voltage	—	—	—	25	mV

Table 12. Device operating conditions<sup>(1)</sup>(Continued)

Symbol	C	Parameter	Conditions	Value			Unit
				Min	Typ	Max	
$V_{SS\_HV\_ADR}$	SR	P	SD ADC ground reference voltage	—	$V_{SS\_HV\_ADV}$		V
$V_{SS\_HV\_ADR\_D} - V_{SS\_HV\_ADV}$	SR	D	$V_{SS\_HV\_ADR\_D}$ differential voltage	—	-25	25	mV
$V_{DD\_HV\_ADR\_S}$ <sup>(12)</sup>	SR	P	SARADC reference	—	4.5	5.5	V
		C		—	4.0	5.9	
		C		—	2.0	4.0	
$V_{DD\_HV\_ADR\_S} - V_{DD\_HV\_ADV}$	SR	D	SARADC reference differential voltage	—	—	25	mV
$V_{SS\_HV\_ADR\_S} - V_{SS\_HV\_ADV}$	SR	D	$V_{SS\_HV\_ADR\_S}$ differential voltage	—	-25	25	mV
$V_{SS\_HV\_ADV} - V_{SS}$	SR	D	$V_{SS\_HV\_ADV}$ differential voltage	—	-25	25	mV
$V_{RAMP\_HV}$	SR	D	Slew rate on HV power supply pins	—	—	100	V/ms
$V_{IN}$	SR	C	I/O input voltage range	—	0	5.5	V
<b>Injection current</b>							
$I_{IC}$	SR	T	DC injection current (per pin) <sup>(13),(14),(15)</sup>	Digital pins and analog pins	-3.0	3.0	mA
$I_{MAXSEG}$	SR	D	Maximum current per power segment <sup>(16)</sup>	—	-80	80	mA

- The ranges in this table are design targets and actual data may vary in the given range.
- Maximum operating frequency is applicable to the computational cores and platform for the device. See the Clocking chapter in the SPC574Kxx *Microcontroller Reference Manual* for more information on the clock limitations for the various IP blocks on the device.
- Core voltage as measured on device pin to guarantee published silicon performance.
- During power ramp, voltage measured on silicon might be lower. Maximum performance is not guaranteed, but correct silicon operation is guaranteed. Refer to the Power Management and Reset Generation Module chapters in the SPC574Kxx *Microcontroller Reference Manual* for further information.
- Maximum voltage is not permitted for entire product life. See [Table 7: Absolute maximum ratings](#).
- When internal LVD/HVDs are disabled, external monitoring is required to guarantee correct device operation.
- Reduced output/input capabilities below 4.2 V. See performance derating values in *I/O pad electrical characteristics*
- $V_{DD\_HV\_IO\_JTAG}$  supply is shorted with  $V_{DD\_HV\_OSC}$  supply within package.
- $V_{DD\_HV\_PMC}$  is shorted with  $V_{DD\_HV\_IO\_MAIN}$  in the package.
- Flash read operation is supported for a minimum  $V_{DD\_HV\_FLA}$  value of 3.0 V. Flash read, program, and erase operations are supported for a minimum  $V_{DD\_HV\_FLA}$  value of 3.0 V.
- This voltage can be measured on the pin but is not supplied by an external regulator. The Power Management Controller generates PORs based on this voltage.
- $V_{DD\_HV\_ADR\_S}$  must be between 4.5 V and 5.5 V for accurate reading of the device Temperature Sensor.
- Full device lifetime without performance degradation
- I/O and analog input specifications are only valid if the injection current on adjacent pins is within these limits. See [Table 7: Absolute maximum ratings](#) for maximum input current for reliability requirements.

- 15. The I/O pins on the device are clamped to the I/O supply rails for ESD protection. When the voltage of the input pin is above the supply rail, current is injected through the clamp diode to the supply rail. For external RC network calculation, assume typical 0.3 V drop across the active diode. The diode voltage drop varies with temperature.
- 16. Sum of all controller pins (including both digital and analog) must not exceed 200 mA. A V<sub>DD\_HV\_IO</sub> power segment is defined as one or more GPIO pins located between two V<sub>DD\_HV\_IO</sub> supply pins.

**Table 13. Emulation (buddy) device operating conditions<sup>(1)</sup>**

Symbol	C	Parameter	Conditions	Value			Unit
				Min	Typ	Max	
<b>Frequency</b>							
—	SR	C	Standard JTAG 1149.1/1149.7 frequency	—	—	50	MHz
—	SR	C	High-speed debug frequency	—	—	320	MHz
—	SR	T	Data trace frequency	—	—	1250	MHz
<b>Temperature</b>							
T <sub>J_BD</sub>	SR	P	Device junction operating temperature range	—	−40.0	—	150.0 °C
T <sub>A_BD</sub>	SR	P	Ambient operating temperature range	—	−40.0	—	125.0 °C
<b>Voltage</b>							
V <sub>DD_LV_BD</sub>	SR	P	Buddy core supply voltage	—	1.2	—	1.32 V
V <sub>DD_HV_IO_BD</sub>	SR	P	Buddy I/O supply voltage	—	3.0	—	5.5 V
V <sub>RAMP_LV_BD</sub>	SR	D	Buddy slew rate on core power supply pins	—	—	—	100 V/ms
V <sub>RAMP_HV_BD</sub>	SR	D	Buddy slew rate on HV power supply pins	—	—	—	100 V/ms

1. The ranges in this table are design targets and actual data may vary in the given range.

### 3.7 Temperature profile

**Table 14. Temperature profile – Packaged parts**

Vehicle category	Operation	Temperature	Cumulated duration (hours)
Passenger cars	Active operation	T <sub>J</sub> = 150 °C	3000
		T <sub>J</sub> = 135 °C	—
		T <sub>J</sub> = 125 °C	9000
		T <sub>J</sub> = 110 °C	6000
		T <sub>J</sub> = 85 °C	1000
		T <sub>J</sub> = 40 °C	500
		T <sub>J</sub> = −40 °C	500
		Total operation time	20000



**Table 14. Temperature profile – Packaged parts(Continued)**

Vehicle category	Operation	Temperature	Cumulated duration (hours)
Passenger cars – low end	Active operation	T <sub>A</sub> = 120 to 125 °C	100
		T <sub>A</sub> = 115 to 120 °C	100
		T <sub>A</sub> = 110 to 115 °C	100
		T <sub>A</sub> = 105 to 110 °C	100
		T <sub>A</sub> = 100 to 105 °C	100
		T <sub>A</sub> = 95 to 100 °C	100
		T <sub>A</sub> = 90 to 95 °C	100
		T <sub>A</sub> = 85 to 90 °C	150
		T <sub>A</sub> = 80 to 85 °C	300
		T <sub>A</sub> = 50 to 80 °C	800
		T <sub>A</sub> = 40 to 50 °C	1600
		T <sub>A</sub> = 25 to 40 °C	2200
		T <sub>A</sub> = –10 to 25 °C	1500
		T <sub>A</sub> = –40 to –10 °C	500
	Total operation time	7750	
Commercial vehicles	Active operation	T <sub>J</sub> = 150 °C	360
		T <sub>J</sub> = 140 °C	1200
		T <sub>J</sub> = 130 °C	2100
		T <sub>J</sub> = 120 °C	29000
		T <sub>J</sub> = 110 °C	3600
		T <sub>J</sub> = 85 °C	2740
		T <sub>J</sub> = 40 °C	500
		T <sub>J</sub> = –40 °C	500
			Total operation time

**Table 15. Unbiased temperature profile – Packaged parts**

Operation	Temperature	Cumulated duration (years)
Unbiased	T <sub>J</sub> > 60 °C	0 <sup>(1)</sup>
	T <sub>J</sub> = –40 to 60 °C	20

1. Temperatures above 60 °C are accumulated against active operation biased condition.

### 3.8 DC electrical specifications

The following table describes the DC electrical specifications.



Table 16. DC electrical specifications<sup>(1)</sup>

Symbol	C	Parameter	Conditions	Value			Unit	
				Min	Typ	Max		
I <sub>DD</sub>	CC	P	Operating current all supply rails	f <sub>MAX</sub> <sup>(2)</sup>	—	—	450	mA
I <sub>DDPE</sub>	CC	C	Operating current all supplies including program/erase	f <sub>MAX</sub> <sup>(3)</sup>	—	—	470	mA
I <sub>DDAPP</sub> <sup>(4)</sup>	CC	C	Operating current all supplies with typical application	f <sub>SYS</sub> = 160 MHz T <sub>J</sub> < 142 °C	—	—	340	mA
		T		f <sub>SYS</sub> = 140 MHz T <sub>J</sub> < 165 °C	—	—	360	
I <sub>DD_MAIN_CORE_AC</sub>	CC	C	Main Core 0 dynamic operating current	f <sub>SYS</sub> = 160 MHz	—	—	56	mA
I <sub>DD_CHKR_CORE_AC</sub>	CC	C	Checker Core 0 dynamic operating current	f <sub>SYS</sub> = 160 MHz	—	—	40	mA
I <sub>DDAR</sub>	CC	T	V <sub>DD_HV_IO</sub> After Run operating current at 1.32 V <sup>(5)</sup>	T <sub>amb</sub> = 55°C Total device consumption on V <sub>DD_HV_IO</sub> , including consumption for V <sub>DD_LV</sub> generation. No I/O activity	—	—	35	mA
		P		T <sub>amb</sub> = 40°C	—	—	33	
I <sub>DD_LV_BD</sub>	CC	P	Debug/Emulation low voltage supply operating current <sup>(6),(7)</sup>	T <sub>J</sub> = 150 °C V <sub>DD_LV_BD</sub> = 1.32 V	—	—	250	mA
I <sub>DD_HV_IO_BD</sub>	CC	D	Debug/Emulation high voltage supply operating current (Aurora + JTAGM/LFAST)	T <sub>J</sub> = 150 °C	—	—	130	mA
I <sub>SPIKE</sub>	CC	T	Maximum short term current spike <sup>(8)</sup>	< 20 μs observation window	—	—	90	mA
dl	CC	T	Current difference ratio to average current (dl/avg(I)) <sup>(9)</sup>	20 μs observation window	—	—	20	%
I <sub>SR</sub>	CC	D	Current variation during boot/shut-down	— <sup>(10)</sup>	—	—	90 <sup>(11)</sup>	mA
I <sub>DDOFF</sub>	CC	T	Power-off current on V <sub>DD_HV_IO</sub> supply rails <sup>(12)</sup>	V <sub>DD_HV_IO</sub> = 2.5 V	100	—	—	μA
V <sub>REF_BG_T</sub>	CC	P	Bandgap trimmed reference voltage	T <sub>J</sub> = -40 °C to 150 °C V <sub>DD_HV_ADV</sub> = 5 V ± 10%	1.200	—	1.237	V
V <sub>REF_BG_TC</sub>	CC	C	Bandgap temperature coefficient <sup>(13)</sup>	T <sub>J</sub> = -40 °C to 150 °C V <sub>DD_HV_ADV</sub> = 5 V ± 10%	—	—	50	ppm/°C

**Table 16. DC electrical specifications<sup>(1)</sup>(Continued)**

Symbol	C	Parameter	Conditions	Value			Unit	
				Min	Typ	Max		
V <sub>REF_BG_LR</sub>	CC	C	Bandgap line regulation	T <sub>J</sub> = -40 °C V <sub>DD_HV_ADV</sub> = 5 V ± 10%	—	—	8000	ppm/ V
				T <sub>J</sub> = 150 °C V <sub>DD_HV_ADV</sub> = 5 V ± 10%	—	—	4000	

- The ranges in this table are design targets and actual data may vary in the given range.
- Application with maximum consumption, excludes lock step (safety) core, unloaded I/O with LVDS pins active and terminated.
- Application with maximum consumption, excludes lock step (safety) core, unloaded I/O with LVDS pins active and terminated, with active flash program and erase.
- Typical application consumption, unloaded I/O with LVDS pins active and terminated.
- Device in STOP mode running from the internal RCOSC, with the external oscillator and ADCs disabled. Includes regulator consumption for V<sub>DD\_LV</sub> generation. Includes static I/O current with no pins toggling. V<sub>DD\_HV</sub> refers to all 5 V supplies (V<sub>DD\_HV\_ADV</sub>, V<sub>DD\_HV\_IO\_MAIN</sub>, V<sub>DD\_HV\_IO\_JTAG</sub>, V<sub>DD\_HV\_IO\_FLEX</sub>, and V<sub>DD\_HV\_PMC</sub>). The I<sub>DDAR</sub> current can be further reduced by disabling the I/O pad compensation cells via the PDO bits in the ME\_<mode>\_MC registers in the mode entry module (MC\_ME).
- Leakage of V<sub>DD\_LV\_BD</sub> at junction temperature of 150 °C with production device powered estimated at 120 mA
- Aurora and LFAST enabled, further consumption of 70 mA on V<sub>DD\_HV\_IO\_BD</sub> supply for Aurora transmission line
- I<sub>SPIKE</sub> value is only valid for the use cases defined for the I<sub>DDAPP</sub> and I<sub>DDAPP\_LV</sub> specifications and its conditions given in [Table 16 \(DC electrical specifications\)](#).
- Moving window, valid for I<sub>DDAPP</sub> and its conditions given in [Table 16 \(DC electrical specifications\)](#), with a maximum of 90 mA for the worst case application.
- Condition 1: For power on period from 0 V up to normal operation with reset asserted.  
Condition 2: From reset asserted until IRCOSC frequency.  
Condition 3: Increasing frequency from IRCOSC to PLL full frequency.  
Condition 4: reverse order for power down to 0 V.
- Current variation is considered during boot or during shut-down sequence. Progressive clock switching should be used to guarantee low current variation. This does not include current requested for the loading of the capacitances on the VDD\_LV domain. Please refer to [Section 3.17.1, Power management integration](#), Iclamp specification
- I<sub>DDOFF</sub> is the minimum guaranteed consumption of the device during power-up. It can be used to correctly size power-off ballast in case of current injection during power-off state. Power up/down current transients can be limited by controlling the clock ramp rates with the Progressive Clock Frequency Switching block on the device.
- The temperature coefficient and line regulation specifications are used to calculate the reference voltage drift at an operating point within the specified voltage and temperature operating conditions.

### 3.9 I/O pad specification

The following table describes the different pad type configurations.

**Table 17. I/O pad specification descriptions**

Pad type	Description
Weak configuration	Provides a good compromise between transition time and low electromagnetic emission. Pad impedance is centered around 800 Ω.
Medium configuration	Provides transition fast enough for the serial communication channels with controlled current to reduce electromagnetic emission. Pad impedance is centered around 200 Ω.
Strong configuration	Provides fast transition speed; used for fast interface. Pad impedance is centered around 50 Ω.

Table 17. I/O pad specification descriptions(Continued)

Pad type	Description
Very strong configuration	Provides maximum speed and controlled symmetric behavior for rise and fall transition. Used for fast interface including Ethernet and FlexRay interfaces requiring fine control of rising/falling edge jitter. Pad impedance is centered around 40 Ω.
Differential configuration	A few pads provide differential capability providing very fast interface together with good EMC performances.
Input only pads	These low input leakage pads are associated with the ADC channels.

Note: Each I/O pin on the device supports specific drive configurations. See the signal description table in the device reference manual for the available drive configurations for each I/O pin.

### 3.9.1 I/O input DC characteristics

Table 18 provides input DC electrical characteristics as described in Figure 7.

Figure 7. I/O input DC electrical characteristics definition

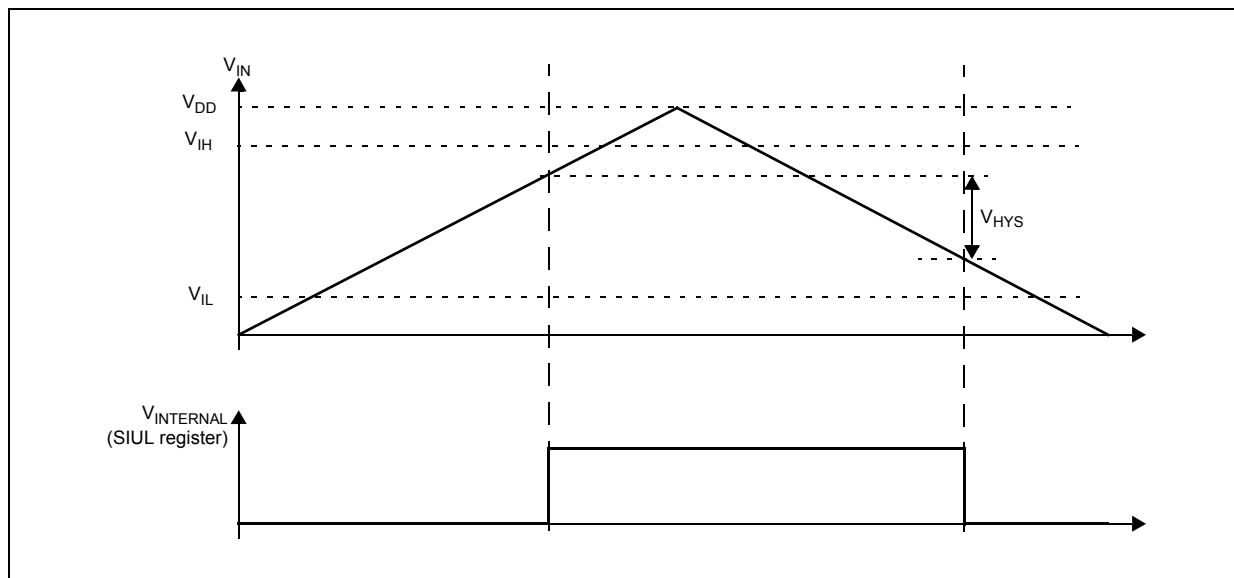


Table 18. I/O input DC electrical characteristics

Symbol	C	Parameter	Conditions	Value			Unit	
				Min	Typ	Max		
<b>TTL</b>								
V <sub>IHTTL</sub>	SR	P	Input high level TTL	4.5 V < V <sub>DD_HV_IO</sub> < 5.5 V <sup>(6)</sup>	2	—	V <sub>DD_HV_IO</sub> + 0.3	V
V <sub>ILTTL</sub>	SR	P	Input low level TTL	4.5 V < V <sub>DD_HV_IO</sub> < 5.5 V <sup>(6)</sup>	-0.3	—	0.8	
V <sub>HYSTTL</sub>	—	C	Input hysteresis TTL	4.5 V < V <sub>DD_HV_IO</sub> < 5.5 V <sup>(6)</sup>	0.275	—	—	
V <sub>DRFTTL</sub>	—	C	Input V <sub>IL</sub> /V <sub>IH</sub> temperature drift TTL	—	—	—	100	mV

Table 18. I/O input DC electrical characteristics(Continued)

Symbol	C	Parameter	Conditions	Value			Unit	
				Min	Typ	Max		
<b>AUTOMOTIVE</b>								
$V_{IHAUT}^{(1)}$	SR	P	Input high level AUTOMOTIVE	$4.5\text{ V} < V_{DD\_HV\_IO} < 5.5\text{ V}$	3.8	—	$V_{DD\_HV\_IO} + 0.3$	V
$V_{ILAUT}^{(2)}$	SR	P	Input low level AUTOMOTIVE	$4.5\text{ V} < V_{DD\_HV\_IO} < 5.5\text{ V}$	-0.3	—	$2.1^{(3)}$	V
$V_{HYSAUT}^{(4)}$	—	C	Input hysteresis AUTOMOTIVE	$4.5\text{ V} < V_{DD\_HV\_IO} < 5.5\text{ V}$	$0.4^{(6)}$	—	—	V
$V_{DRFTAUT}$	—	C	Input $V_{IL}/V_{IH}$ temperature drift	$4.5\text{ V} < V_{DD\_HV\_IO} < 5.5\text{ V}$	—	—	$100^{(5)}$	mV
<b>CMOS</b>								
$V_{IHC_{(6)}MOS\_H}$	SR	C	Input high level CMOS (with hysteresis)	$3.0\text{ V} < V_{DD\_HV\_IO} < 3.6\text{ V}$	$0.65^*$	—	$V_{DD\_HV\_IO} + 0.3$	V
		P		$4.5\text{ V} < V_{DD\_HV\_IO} < 5.5\text{ V}$				
$V_{IHC_{(6)}MOS}^{(6)}$	SR	C	Input high level CMOS (without hysteresis)	$3.0\text{ V} < V_{DD\_HV\_IO} < 3.6\text{ V}$	$0.6^*$	—	$V_{DD\_HV\_IO} + 0.3$	V
		P		$4.5\text{ V} < V_{DD\_HV\_IO} < 5.5\text{ V}$				
$V_{ILCMOS\_H}^{(6)}$	SR	C	Input low level CMOS (with hysteresis)	$3.0\text{ V} < V_{DD\_HV\_IO} < 3.6\text{ V}$	-0.3	—	$0.35^*$	V
		P		$4.5\text{ V} < V_{DD\_HV\_IO} < 5.5\text{ V}$				
$V_{ILCMOS}^{(6)}$	SR	C	Input low level CMOS (without hysteresis)	$3.0\text{ V} < V_{DD\_HV\_IO} < 3.6\text{ V}$	-0.3	—	$0.4^*$	V
		P		$4.5\text{ V} < V_{DD\_HV\_IO} < 5.5\text{ V}$				
$V_{HYSCMOS}$	—	C	Input hysteresis CMOS	$3.0\text{ V} < V_{DD\_HV\_IO} < 3.6\text{ V}$	$0.1^*$	—	—	V
				$4.5\text{ V} < V_{DD\_HV\_IO} < 5.5\text{ V}^{(7)}$				
$V_{DRFTCMOS}$	—	C	Input $V_{IL}/V_{IH}$ temperature drift CMOS	$3.0\text{ V} < V_{DD\_HV\_IO} < 3.6\text{ V}$	—	—	$100^{(5)}$	mV
				$4.5\text{ V} < V_{DD\_HV\_IO} < 5.5\text{ V}$				
<b>INPUT CHARACTERISTICS<sup>(8)</sup></b>								
$I_{LKG}$	CC	P	Digital input leakage	$4.5\text{ V} < V_{DD\_HV} < 5.5\text{ V}$ $0.1 \cdot V_{DD\_HV} < V_{IN} < 0.9 \cdot V_{DD\_HV}$ $T_J < 150^\circ\text{C}$	—	—	1	$\mu\text{A}$
$I_{LKG\_MED}$	CC	C	Digital input leakage for MEDIUM pad	$4.5\text{ V} < V_{DD\_HV} < 5.5\text{ V}$ $V_{SS\_HV} < V_{IN} < V_{DD\_HV}$	—	—	500	nA
$C_{IN}$	CC	D	Digital input capacitance	GPIO input pins	—	—	10	pF
				Ethernet input pins	—	—	8	

1. A good approximation for the variation of the minimum value with supply is given by formula  $V_{IHAUT} = 0.69 \times V_{DD\_HV\_IO}$ .
2. A good approximation for the variation of the maximum value with supply is given by formula  $V_{ILAUT} = 0.49 \times V_{DD\_HV\_IO}$ .
3. Sum of  $V_{ILAUT}$  and  $V_{HYSAUT}$  is guaranteed to remain above 2.6 V in the  $4.5\text{ V} < V_{DD\_HV\_IO} < 5.5\text{ V}$ . Production test done with 2.06 V limit at cold,  $T_j < 25^\circ\text{C}$ .
4. A good approximation of the variation of the minimum value with supply is given by formula  $V_{HYSAUT} = 0.11 \times V_{DD\_HV\_IO}$ .
5. In a 1 ms period, assuming stable voltage and a temperature variation of  $\pm 30^\circ\text{C}$ ,  $V_{IL}/V_{IH}$  shift is within  $\pm 50\text{ mV}$ . For SENT requirement refer to [Note: on page 46](#).

6. Only for  $V_{DD\_HV\_IO\_JTAG}$  and  $V_{DD\_HV\_IO\_FLEX}$  power segment. The TTL threshold are controlled by the VSIO bit.  $VSIO[VSIO\_xx] = 0$  in the range  $3.0\text{ V} < V_{DD\_HV\_IO} < 3.6\text{ V}$ ,  $VSIO[VSIO\_xx] = 1$  in the range  $4.5\text{ V} < V_{DD\_HV\_IO} < 5.5\text{ V}$ .
7. Only for  $V_{DD\_HV\_IO\_JTAG}$  and  $V_{DD\_HV\_IO\_FLEX}$  power segment.
8. For LFAST, microsecond bus and LVDS input characteristics, refer to dedicated communication module chapters.

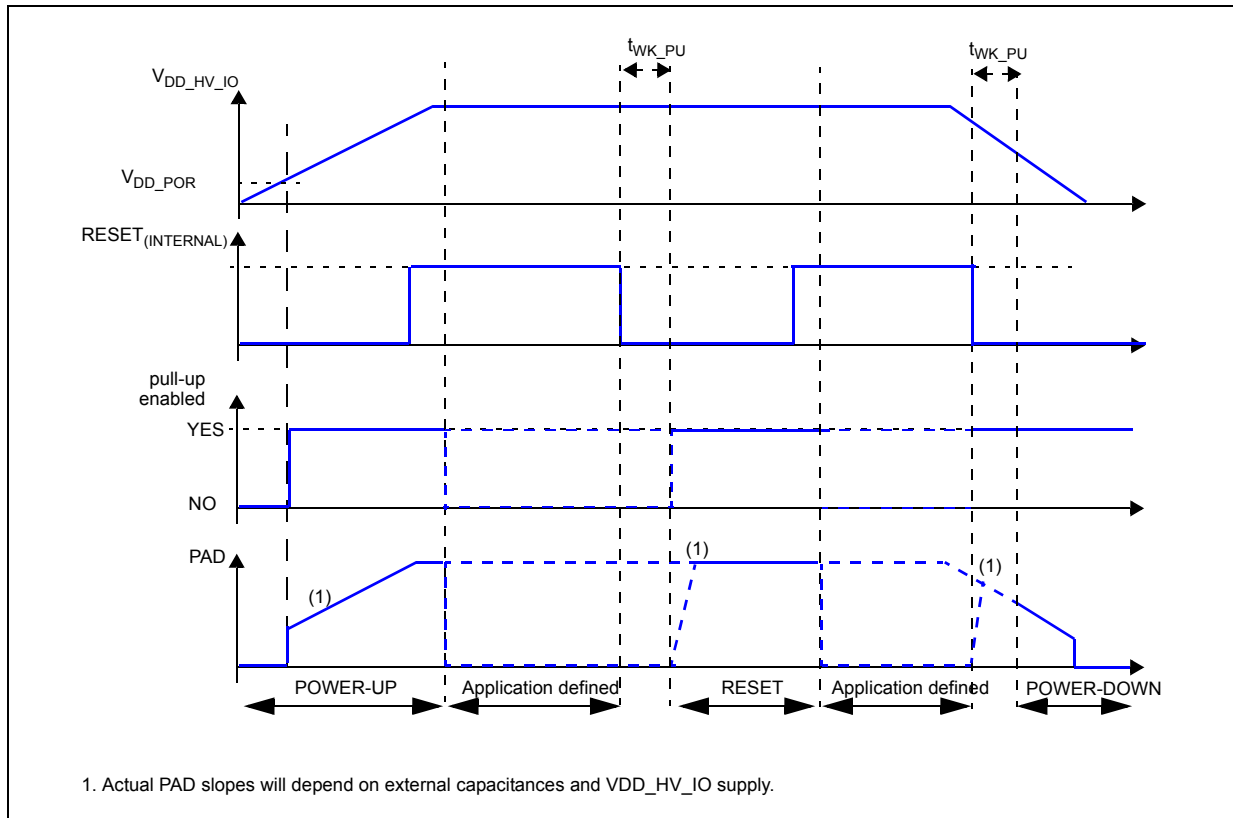
**Table 19** provides weak pull figures. Both pull-up and pull-down current specifications are provided.

**Table 19. I/O pull-up/pull-down DC electrical characteristics**

Symbol	C	Parameter	Conditions	Value			Unit	
				Min	Typ	Max		
I <sub>WPU</sub>	CC	T	Weak pull-up current absolute value <sup>(1)</sup>	$V_{IN} = 0\text{ V}$ $V_{DD\_POR}^{(2)} < V_{DD\_HV\_IO}$ $< 3.0\text{ V}^{(3)(4)}$	$10.6 * V_{DD\_HV}$ 10.6	—	—	μA
				$V_{IN} > V_{IL} = 1.1\text{ V (TTL)}$ $4.5\text{ V} < V_{DD\_HV\_IO} < 5.5\text{ V}$	—	—	130	
				$V_{IN} = 0.69 * V_{DD\_HV\_IO}$ $4.5\text{ V} < V_{DD\_HV\_IO} < 5.5\text{ V}$	23	—	65	
				$V_{IN} = 0.49 * V_{DD\_HV\_IO}$ $4.5\text{ V} < V_{DD\_HV\_IO} < 5.5\text{ V}$	—	—	82	
R <sub>WPU</sub>	CC	D	Weak pull-up resistance	$0.49 * V_{DD\_HV\_IO} < V_{IN} < 0.69 * V_{DD\_HV\_IO}$ $4.5\text{ V} < V_{DD\_HV\_IO} < 5.5\text{ V}$	34	—	62	kΩ
I <sub>WPD</sub>	CC	T	Weak pull-down current absolute value	$V_{IN} < V_{IL} = 0.9\text{ V (TTL)}$ $4.5\text{ V} < V_{DD\_HV\_IO} < 5.5\text{ V}$	16	—	—	μA
		P		$V_{IN} = 0.69 * V_{DD\_HV\_IO}$ $4.5\text{ V} < V_{DD\_HV\_IO} < 5.5\text{ V}$	50	—	130	
		T		$V_{IN} = 0.49 * V_{DD\_HV\_IO}$ $4.5\text{ V} < V_{DD\_HV\_IO} < 5.5\text{ V}$	40	—	—	
R <sub>WPD</sub>	CC	D	Weak pull-down resistance	$0.49 * V_{DD\_HV\_IO} < V_{IN} < 0.69 * V_{DD\_HV\_IO}$ $4.5\text{ V} < V_{DD\_HV\_IO} < 5.5\text{ V}$	30	—	55	kΩ

1. Weak pull-up/down is enabled within  $t_{WK\_PU} = 1\text{ μs}$  after internal/external reset has been asserted. Output voltage will depend on the amount of capacitance connected to the pin.
2.  $V_{DD\_POR}$  is the minimum  $V_{DD\_HV\_IO}$  supply voltage for the activation of the device pull-up/down, and is given in the [Table 25: Reset electrical characteristics](#) of [Section 3.11: Reset pad \(PORST, ESR0\) electrical characteristics](#).
3.  $V_{DD\_POR}$  is defined in the [Table 25: Reset electrical characteristics](#) of [Section 3.11: Reset pad \(PORST, ESR0\) electrical characteristics](#).
4. Weak pull-up behavior during power-up. Operational with  $V_{DD\_HV\_IO} > V_{DD\_POR}$ .

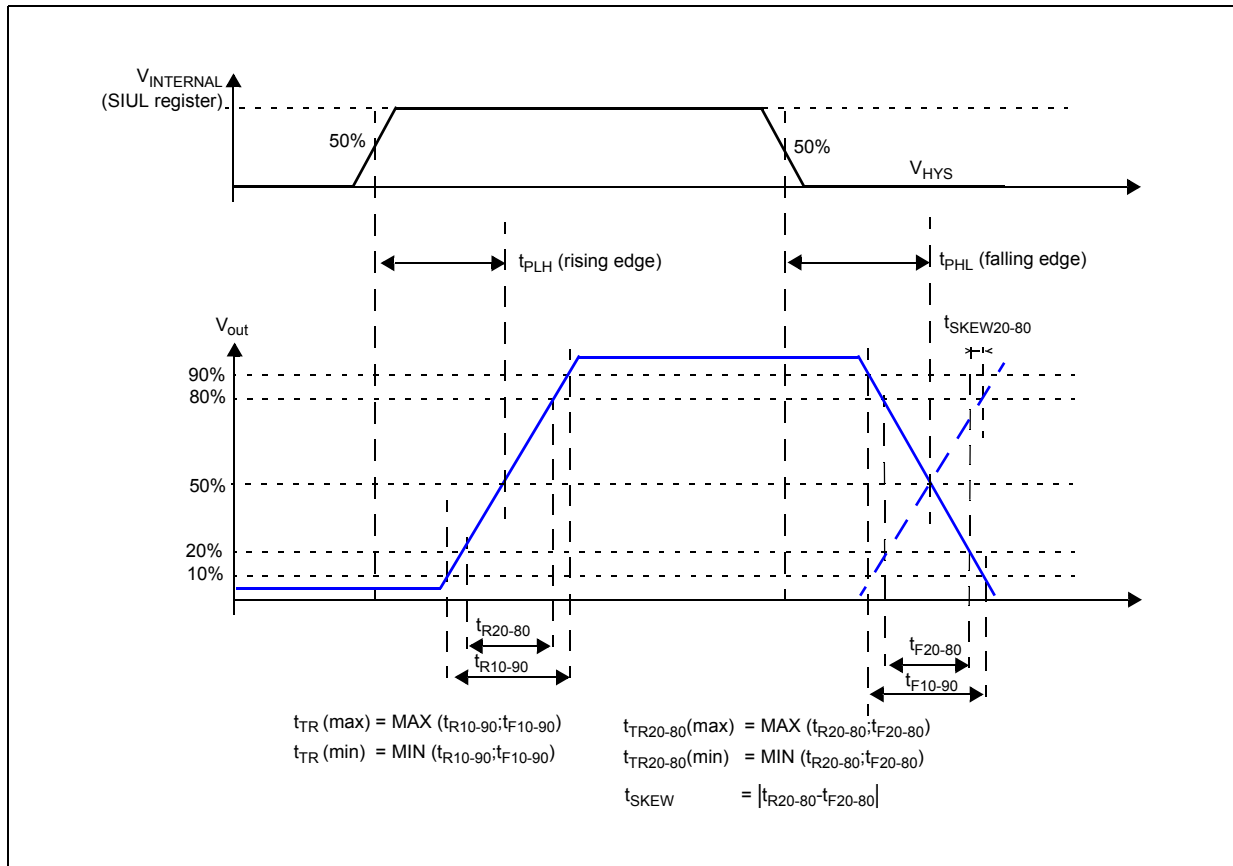
Figure 8. Weak pull-up electrical characteristics definition



### 3.9.2 I/O output DC characteristics

The figure below provides description of output DC electrical characteristics.

Figure 9. I/O output DC electrical characteristics definition



The following tables provide DC characteristics for bidirectional pads:

- [Table 20](#) provides output driver characteristics for I/O pads when in WEAK configuration.
- [Table 21](#) provides output driver characteristics for I/O pads when in MEDIUM configuration.
- [Table 22](#) provides output driver characteristics for I/O pads when in STRONG configuration.
- [Table 23](#) provides output driver characteristics for I/O pads when in VERY STRONG configuration.

*Note:* Driver configuration is controlled by SIUL2\_MSCRn registers. It is available within two PBRIDGEA\_CLK clock cycles after the associated SIUL2\_MSCRn bits have been written.

[Table 20](#) shows the WEAK configuration output buffer electrical characteristics.



Table 20. WEAK configuration output buffer electrical characteristics

Symbol	C	Parameter	Conditions <sup>(1)</sup>	Value <sup>(2)</sup>			Unit	
				Min	Typ	Max		
R <sub>OH_W</sub>	CC	P	PMOS output impedance weak configuration	4.5 V < V <sub>DD_HV_IO</sub> < 5.5 V Push pull, I <sub>OH</sub> < 0.5 mA	—	—	1040	Ω
R <sub>OL_W</sub>	CC	P	NMOS output impedance weak configuration	4.5 V < V <sub>DD_HV_IO</sub> < 5.5 V Push pull, I <sub>OL</sub> < 0.5 mA	—	—	1040	Ω
f <sub>MAX_W</sub>	CC	T	Output frequency weak configuration	C <sub>L</sub> = 25 pF <sup>(3)</sup>	—	—	2	MHz
				C <sub>L</sub> = 50 pF <sup>(3)</sup>	—	—	1	
		D		C <sub>L</sub> = 200 pF <sup>(3)</sup>	—	—	0.25	
t <sub>TR_W</sub>	CC	T	Transition time output pin weak configuration <sup>(4)</sup>	C <sub>L</sub> = 25 pF, 4.5 V < V <sub>DD_HV_IO</sub> < 5.5 V	40	—	120	ns
				C <sub>L</sub> = 50 pF, 4.5 V < V <sub>DD_HV_IO</sub> < 5.5 V	80	—	240	
				C <sub>L</sub> = 200 pF, 4.5 V < V <sub>DD_HV_IO</sub> < 5.5 V	320	—	820	
		C <sub>L</sub> = 25 pF, 3.0 V < V <sub>DD_HV_IO</sub> < 3.6 V <sup>(5)</sup>		50	—	150		
		C <sub>L</sub> = 50 pF, 3.0 V < V <sub>DD_HV_IO</sub> < 3.6 V <sup>(5)</sup>		100	—	300		
		C <sub>L</sub> = 200 pF, 3.0 V < V <sub>DD_HV_IO</sub> < 3.6 V <sup>(5)</sup>		350	—	1050		
t <sub>SKEW_W</sub>	CC	T	Difference between rise and fall time	—	—	—	25	%
I <sub>DCMAX_W</sub>	CC	D	Maximum DC current	—	—	—	4	mA
T <sub>PHL/PLH</sub>	CC	D	Propagation delay	C <sub>L</sub> = 25 pF, 4.5 V < V <sub>DD_HV_IO</sub> < 5.9 V	—	—	120	ns
				C <sub>L</sub> = 25 pF, 3.0 V < V <sub>DD_HV_IO</sub> < 3.6 V	—	—	150	
				C <sub>L</sub> = 50 pF, 4.5 V < V <sub>DD_HV_IO</sub> < 5.9 V	—	—	240	
				C <sub>L</sub> = 50 pF, 3.0 V < V <sub>DD_HV_IO</sub> < 3.6 V <sup>(5)</sup>	—	—	300	

1. All V<sub>DD\_HV\_IO</sub> conditions for 4.5V to 5.5V are valid for VSIO[VSIO\_xx] = 1, and all specifications for 3.0V to 3.6V are valid for VSIO[VSIO\_xx] = 0

2. All values need to be confirmed during device validation.

3. C<sub>L</sub> is the sum of external capacitance. Device and package capacitances (C<sub>IN</sub>, defined in Table 18) are to be added to calculate total signal capacitance (C<sub>TOT</sub> = C<sub>L</sub> + C<sub>IN</sub>).

4. Transition time maximum value is approximated by the following formula:

$$0 \text{ pF} < C_L < 50 \text{ pF} \quad t_{TR\_W}(\text{ns}) = 22 \text{ ns} + C_L(\text{pF}) \times 4.4 \text{ ns/pF}$$

$$50 \text{ pF} < C_L < 200 \text{ pF} \quad t_{TR\_W}(\text{ns}) = 50 \text{ ns} + C_L(\text{pF}) \times 3.85 \text{ ns/pF}$$

5. Only for V<sub>DD\_HV\_IO\_JTAG</sub> segment when VSIO[VSIO\_IJ] = 0 or V<sub>DD\_HV\_IO\_FLEX</sub> segment when VSIO[VSIO\_IF] = 0.

Table 21 shows the MEDIUM configuration output buffer electrical characteristics.

Table 21. MEDIUM configuration output buffer electrical characteristics

Symbol	C	Parameter	Conditions <sup>(1)</sup>	Value <sup>(2)</sup>			Unit
				Min	Typ	Max	
R <sub>OH_M</sub>	CC	P	PMOS output impedance MEDIUM configuration	4.5 V < V <sub>DD_HV_IO</sub> < 5.5 V Push pull, I <sub>OH</sub> < 2 mA			Ω
R <sub>OL_M</sub>	CC	P	NMOS output impedance MEDIUM configuration	4.5 V < V <sub>DD_HV_IO</sub> < 5.5 V Push pull, I <sub>OL</sub> < 2 mA			Ω
f <sub>MAX_M</sub>	CC	T	Output frequency MEDIUM configuration	C <sub>L</sub> = 25 pF <sup>(3)</sup>			MHz
				C <sub>L</sub> = 50 pF <sup>(4)</sup>			
		D		C <sub>L</sub> = 200 pF <sup>(4)</sup>			
t <sub>TR_M</sub>	CC	T	Transition time output pin MEDIUM configuration <sup>(4)</sup>	C <sub>L</sub> = 25 pF 4.5 V < V <sub>DD_HV_IO</sub> < 5.5 V			ns
				C <sub>L</sub> = 50 pF 4.5 V < V <sub>DD_HV_IO</sub> < 5.5 V			
				C <sub>L</sub> = 200 pF 4.5 V < V <sub>DD_HV_IO</sub> < 5.5 V			
		D		C <sub>L</sub> = 25 pF, 3.0 V < V <sub>DD_HV_IO</sub> < 3.6 V <sup>(5)</sup>			
				C <sub>L</sub> = 50 pF, 3.0 V < V <sub>DD_HV_IO</sub> < 3.6 V <sup>(5)</sup>			
				C <sub>L</sub> = 200 pF, 3.0 V < V <sub>DD_HV_IO</sub> < 3.6 V <sup>(5)</sup>			
t <sub>SKEW_M</sub>	CC	T	Difference between rise and fall time	—			%
I <sub>DCMAX_M</sub>	CC	D	Maximum DC current	—			mA
T <sub>PHL/PLH</sub>	CC	D	Propagation delay	C <sub>L</sub> = 25 pF, 4.5 V < V <sub>DD_HV_IO</sub> < 5.9 V			ns
				C <sub>L</sub> = 25 pF, 3.0 V < V <sub>DD_HV_IO</sub> < 3.6 V			
				C <sub>L</sub> = 50 pF, 4.5 V < V <sub>DD_HV_IO</sub> < 5.9 V			
				C <sub>L</sub> = 50 pF, 3.0 V < V <sub>DD_HV_IO</sub> < 3.6 V <sup>(5)</sup>			

1. All V<sub>DD\_HV\_IO</sub> conditions for 4.5V to 5.5V are valid for VSIO[VSIO\_xx] = 1, and all specifications for 3.0V to 3.6V are valid for VSIO[VSIO\_xx] = 0
2. All values need to be confirmed during device validation.
3. C<sub>L</sub> is the sum of external capacitance. Device and package capacitances (C<sub>IN</sub>, defined in [Table 18](#)) are to be added to calculate total signal capacitance (C<sub>TOT</sub> = C<sub>L</sub> + C<sub>IN</sub>).
4. Transition time maximum value is approximated by the following formula:  
 $0 \text{ pF} < C_L < 50 \text{ pF} \rightarrow t_{TR\_M}(\text{ns}) = 5.6 \text{ ns} + C_L(\text{pF}) \times 1.11 \text{ ns/pF}$   
 $50 \text{ pF} < C_L < 200 \text{ pF} \rightarrow t_{TR\_M}(\text{ns}) = 13 \text{ ns} + C_L(\text{pF}) \times 0.96 \text{ ns/pF}$



5. Only for  $V_{DD\_HV\_IO\_JTAG}$  segment when  $VSIO[VSIO\_IJ] = 0$  or  $V_{DD\_HV\_IO\_FLEX}$  segment when  $VSIO[VSIO\_IF] = 0$

Table 22 shows the STRONG configuration output buffer electrical characteristics.

**Table 22. STRONG configuration output buffer electrical characteristics**

Symbol	C	Parameter	Conditions <sup>(1)</sup>	Value <sup>(2)</sup>			Unit	
				Min	Typ	Max		
$R_{OH\_S}$	CC	P	PMOS output impedance STRONG configuration	$4.5\text{ V} < V_{DD\_HV\_IO} < 5.5\text{ V}$ Push pull, $I_{OH} < 8\text{ mA}$	—	—	70	$\Omega$
$R_{OL\_S}$	CC	P	NMOS output impedance STRONG configuration	$4.5\text{ V} < V_{DD\_HV\_IO} < 5.5\text{ V}$ Push pull, $I_{OL} < 8\text{ mA}$	—	—	70	$\Omega$
$f_{MAX\_S}$	CC	T	Output frequency STRONG configuration	$C_L = 25\text{ pF}^{(3)}$	—	—	40	MHz
				$C_L = 50\text{ pF}^{(4)}$	—	—	20	
				$C_L = 200\text{ pF}^{(4)}$	—	—	5	
$t_{TR\_S}$	CC	T	Transition time output pin STRONG configuration <sup>(4)</sup>	$C_L = 25\text{ pF}$ $4.5\text{ V} < V_{DD\_HV\_IO} < 5.5\text{ V}$	2.5	—	10	ns
				$C_L = 50\text{ pF}$ $4.5\text{ V} < V_{DD\_HV\_IO} < 5.5\text{ V}$	3.5	—	16	
				$C_L = 200\text{ pF}$ $4.5\text{ V} < V_{DD\_HV\_IO} < 5.5\text{ V}$	13	—	50	
				$C_L = 25\text{ pF}$ , $3.0\text{ V} < V_{DD\_HV\_IO} < 3.6\text{ V}^{(5)}$	4	—	15	
				$C_L = 50\text{ pF}$ , $3.0\text{ V} < V_{DD\_HV\_IO} < 3.6\text{ V}^{(5)}$	6	—	27	
				$C_L = 200\text{ pF}$ , $3.0\text{ V} < V_{DD\_HV\_IO} < 3.6\text{ V}^{(5)}$	20	—	83	
$I_{DCMAX\_S}$	CC	D	Maximum DC current	—	—	—	10	mA
$ t_{SKEW\_S} $	CC	T	Difference between rise and fall time	—	—	—	25	%
$T_{PHL/PLH}$	CC	D	Propagation delay	$C_L = 25\text{ pF}$ , $4.5\text{ V} < V_{DD\_HV\_IO} < 5.9\text{ V}$	—	—	12	ns
				$C_L = 25\text{ pF}$ , $3.0\text{ V} < V_{DD\_HV\_IO} < 3.6\text{ V}$	—	—	18	
				$C_L = 50\text{ pF}$ , $4.5\text{ V} < V_{DD\_HV\_IO} < 5.9\text{ V}$	—	—	20	
				$C_L = 50\text{ pF}$ , $3.0\text{ V} < V_{DD\_HV\_IO} < 3.6\text{ V}^{(5)}$	—	—	36	

1. All  $V_{DD\_HV\_IO}$  conditions for 4.5V to 5.5V are valid for  $VSIO[VSIO\_xx] = 1$ , and all specifications for 3.0V to 3.6V are valid for  $VSIO[VSIO\_xx] = 0$

2. All values need to be confirmed during device validation.

3.  $C_L$  is the sum of external capacitance. Device and package capacitances ( $C_{IN}$ , defined in [Table 18](#)) are to be added to calculate total signal capacitance ( $C_{TOT} = C_L + C_{IN}$ ).
4. Transition time maximum value is approximated by the following formula:  $t_{TR\_S}(ns) = 4.5 ns + C_L(pF) \times 0.23 ns/pF$ .
5. Only for  $V_{DD\_HV\_IO\_JTAG}$  segment when  $VSIO[VSIO\_IJ] = 0$  or  $V_{DD\_HV\_IO\_FLEX}$  segment when  $VSIO[VSIO\_IF] = 0$

[Table 23](#) shows the VERY STRONG configuration output buffer electrical characteristics.

**Table 23. VERY STRONG configuration output buffer electrical characteristics<sup>(1)</sup>**

Symbol	C	Parameter	Conditions <sup>(2)</sup>	Value <sup>(3)</sup>			Unit	
				Min	Typ	Max		
R <sub>OH_V</sub>	CC	P	PMOS output impedance VERY STRONG configuration	$V_{DD\_HV\_IO} = 5.0 V \pm 10\%$ , $VSIO[VSIO\_xx] = 1$ , $I_{OH} = 8 mA$	—	—	60	$\Omega$
				$V_{DD\_HV\_IO} = 3.3 V \pm 10\%$ , $VSIO[VSIO\_xx] = 0$ , $I_{OH} = 7 mA^{(4)}$	—	—	85	
R <sub>OL_V</sub>	CC	P	NMOS output impedance VERY STRONG configuration	$V_{DD\_HV\_IO} = 5.0 V \pm 10\%$ , $VSIO[VSIO\_xx] = 1$ , $I_{OL} = 8 mA$	—	—	60	$\Omega$
				$V_{DD\_HV\_IO} = 3.3 V \pm 10\%$ , $VSIO[VSIO\_xx] = 0$ , $I_{OL} = 7 mA^{(4)}$	—	—	85	
f <sub>MAX_V</sub>	CC	T	Output frequency VERY STRONG configuration	$V_{DD\_HV\_IO} = 5.0 V \pm 10\%$ , $VSIO[VSIO\_xx] = 1$ , $C_L = 25 pF^{(5)}$	—	—	50	MHz
				$V_{DD\_HV\_IO} = 3.3 V \pm 10\%$ , $VSIO[VSIO\_xx] = 1$ , $C_L = 15 pF^{(4),(5)}$	—	—	50	
t <sub>TR_V</sub>	CC	T	10–90% threshold transition time output pin VERY STRONG configuration	$V_{DD\_HV\_IO} = 5.0 V \pm 10\%$ , $VSIO[VSIO\_xx] = 1$ , $C_L = 25 pF^{(5)}$	1	—	5.3	ns
				$V_{DD\_HV\_IO} = 5.0 V \pm 10\%$ , $VSIO[VSIO\_xx] = 1$ , $C_L = 50 pF^{(5)}$	2.5	—	12	
				$V_{DD\_HV\_IO} = 5.0 V \pm 10\%$ , $VSIO[VSIO\_xx] = 1$ , $C_L = 200 pF^{(5)}$	11	—	45	
t <sub>TR20-80</sub>	CC	D	20–80% threshold transition time <sup>(6)</sup> output pin VERY STRONG configuration	$V_{DD\_HV\_IO} = 5.0 V \pm 10\%$ , $VSIO[VSIO\_xx] = 1$ , $C_L = 25 pF^{(5)}$	0.8	—	4	ns
				$V_{DD\_HV\_IO} = 3.3 V \pm 10\%$ , $C_L = 15 pF^{(5)}$	1	—	5	
t <sub>TRTTL</sub>	CC	D	TTL threshold transition time <sup>(7)</sup> for output pin in VERY STRONG configuration	$V_{DD\_HV\_IO} = 3.3 V \pm 10\%$ , $C_L = 25 pF^{(5)}$	1	—	5	ns

Table 23. VERY STRONG configuration output buffer electrical characteristics<sup>(1)</sup>(Continued)

Symbol	C	Parameter	Conditions <sup>(2)</sup>	Value <sup>(3)</sup>			Unit	
				Min	Typ	Max		
$\Sigma t_{TR20-80}$	CC	D	Sum of transition time 20–80% output pin VERY STRONG configuration <sup>(8)</sup>	$V_{DD\_HV\_IO} = 5.0 \text{ V} \pm 10\%$ , $V_{SIO}[V_{SIO\_xx}] = 1$ , $C_L = 25 \text{ pF}$	—	—	9	ns
				$V_{DD\_HV\_IO} = 3.3 \text{ V} \pm 10\%$ , $C_L = 15 \text{ pF}$ <sup>(5)</sup>	—	—	9	
$ t_{SKEW\_V} $	CC	T	Difference between rise and fall time at 20–80%	$V_{DD\_HV\_IO} = 5.0 \text{ V} \pm 10\%$ , $V_{SIO}[V_{SIO\_xx}] = 1$ , $C_L = 25 \text{ pF}$ <sup>(5)</sup>	0	—	1	ns
$T_{PHL/PLH}$	CC	D	Propagation delay	$C_L = 25 \text{ pF}$ , $4.5 \text{ V} < V_{DD\_HV\_IO} < 5.9 \text{ V}$	—	—	9	ns
				$C_L = 25 \text{ pF}$ , $3.0 \text{ V} < V_{DD\_HV\_IO} < 3.6 \text{ V}$	—	—	10.5	
				$C_L = 50 \text{ pF}$ , $4.5 \text{ V} < V_{DD\_HV\_IO} < 5.9 \text{ V}$	—	—	15	
				$C_L = 50 \text{ pF}$ , $3.0 \text{ V} < V_{DD\_HV\_IO} < 3.6 \text{ V}$	—	—	12	
$I_{DCMAX\_VS}$	CC	D	Maximum DC current	—	—	—	10	mA

1. Refer to FlexRay section for parameter dedicated to this interface.
2. All  $V_{DD\_HV\_IO}$  conditions for 4.5V to 5.5V are valid for  $V_{SIO}[V_{SIO\_xx}] = 1$ , and all specifications for 3.0V to 3.6V are valid for  $V_{SIO}[V_{SIO\_xx}] = 0$ .
3. All values need to be confirmed during device validation.
4. Only available on the  $V_{DD\_HV\_IO\_JTAG}$  and  $V_{DD\_HV\_IO\_FLEX}$  segments.
5.  $C_L$  is the sum of external capacitance. Add device and package capacitances ( $C_{IN}$ , defined in [Table 18: I/O input DC electrical characteristics](#)) to calculate total signal capacitance ( $C_{TOT} = C_L + C_{IN}$ ).
6. 20–80% transition time as per FlexRay standard.
7. TTL transition time as for Ethernet standard.
8. For specification per Electrical Physical Layer Specification 3.0.1, see the  $dCCTxD_{RISE25} + dCCTxD_{FALL25}$  (Sum of Rise and Fall time of TxD signal at the output pin) specification in [Table 63: TxD output characteristics](#) in [Section 3.19.4.2: TxD](#).

### 3.10 I/O pad current specification

The I/O pads are distributed across the I/O supply segment. Each I/O supply segment is associated to a  $V_{DD}/V_{SS}$  supply pair.

[Table 24](#) provides I/O consumption figures.

In order to ensure device reliability, the average current of the I/O on a single segment should remain below the  $I_{AVGSEG}$  maximum value.

In order to ensure device functionality, the sum of the dynamic and static currents of the I/O on a single segment should remain below the  $I_{DYNSEG}$  maximum value.

Pad mapping on each segment can be optimized using the pad usage information provided in the I/O Signal Description table. The sum of all pad usage ratios within a segment should remain below 100%.

Note: In order to maintain the required input thresholds for the SENT interface, the sum of all I/O pad output percent IR drop as defined in the I/O Signal Description table, must be below 50 %. See the I/O Signal Description attachment.

Note: The SPC574Kxx I/O Signal Description and Input Multiplexing Tables are contained in a Microsoft Excel® workbook file attached to this document. Locate the paperclip symbol on the left side of the PDF window, and click it. Double-click on the Excel file to open it and select the I/O Signal Description Table tab.

Table 24. I/O consumption<sup>(1)</sup>

Symbol	C	Parameter	Conditions	Value			Unit	
				Min	Typ	Max		
I <sub>RMS_SEG</sub>	SR	D	Sum of all the DC I/O current within a supply segment	V <sub>DD</sub> = 5.0 V ± 10%	—	—	80	mA
				V <sub>DD</sub> = 3.3 V ± 10%	—	—	80	
I <sub>RMS_W</sub>	CC	D	RMS I/O current for WEAK configuration	C <sub>L</sub> = 25 pF, 2 MHz V <sub>DD</sub> = 5.0 V ± 10%	—	—	1.1	mA
				C <sub>L</sub> = 50 pF, 1 MHz V <sub>DD</sub> = 5.0 V ± 10%	—	—	1.1	
				C <sub>L</sub> = 25 pF, 2 MHz V <sub>DD</sub> = 3.3 V ± 10%	—	—	0.6	
				C <sub>L</sub> = 50 pF, 1 MHz V <sub>DD</sub> = 3.3 V ± 10%	—	—	0.6	
I <sub>RMS_M</sub>	CC	D	RMS I/O current for MEDIUM configuration	C <sub>L</sub> = 25 pF, 12 MHz V <sub>DD</sub> = 5.0 V ± 10%	—	—	4.7	mA
				C <sub>L</sub> = 50 pF, 6 MHz V <sub>DD</sub> = 5.0 V ± 10%	—	—	4.8	
				C <sub>L</sub> = 25 pF, 12 MHz V <sub>DD</sub> = 3.3 V ± 10%	—	—	2.6	
				C <sub>L</sub> = 50 pF, 6 MHz V <sub>DD</sub> = 3.3 V ± 10%	—	—	2.7	
I <sub>RMS_S</sub>	CC	D	RMS I/O current for STRONG configuration	C <sub>L</sub> = 25 pF, 50 MHz V <sub>DD</sub> = 5.0 V ± 10%	—	—	19	mA
				C <sub>L</sub> = 50 pF, 25 MHz V <sub>DD</sub> = 5.0 V ± 10%	—	—	19	
				C <sub>L</sub> = 25 pF, 50 MHz V <sub>DD</sub> = 3.3 V ± 10%	—	—	10	
				C <sub>L</sub> = 50 pF, 25 MHz V <sub>DD</sub> = 3.3 V ± 10%	—	—	10	

Table 24. I/O consumption<sup>(1)</sup>(Continued)

Symbol		C	Parameter	Conditions	Value			Unit
					Min	Typ	Max	
I <sub>RMS_V</sub>	CC	D	RMS I/O current for VERY STRONG configuration	C <sub>L</sub> = 25 pF, 50 MHz, V <sub>DD</sub> = 5.0V +/- 10%	—	—	22	mA
				C <sub>L</sub> = 50 pF, 25 MHz, V <sub>DD</sub> = 5.0V ± 10%	—	—	22	
				C <sub>L</sub> = 25 pF, 50 MHz, V <sub>DD</sub> = 3.3V ± 10%	—	—	11	
				C <sub>L</sub> = 25 pF, 25 MHz, V <sub>DD</sub> = 3.3V ± 10%	—	—	11	
I <sub>DYN_SEG</sub>	SR	D	Sum of all the dynamic and DC I/O current within a supply segment	V <sub>DD</sub> = 5.0 V ± 10%	—	—	195	mA
				V <sub>DD</sub> = 3.3 V ± 10%	—	—	150	
I <sub>DYN_W</sub> <sup>(2)</sup>	CC	D	Dynamic I/O current for WEAK configuration	C <sub>L</sub> = 25 pF, V <sub>DD</sub> = 5.0 V ± 10%	—	—	5.0	mA
				C <sub>L</sub> = 50 pF, V <sub>DD</sub> = 5.0 V ± 10%	—	—	5.1	
				C <sub>L</sub> = 25 pF, V <sub>DD</sub> = 3.3 V ± 10%	—	—	2.2	
				C <sub>L</sub> = 50 pF, V <sub>DD</sub> = 3.3 V ± 10%	—	—	2.3	
I <sub>DYN_M</sub>	CC	D	Dynamic I/O current for MEDIUM configuration	C <sub>L</sub> = 25 pF, V <sub>DD</sub> = 5.0 V ± 10%	—	—	15	mA
				C <sub>L</sub> = 50 pF, V <sub>DD</sub> = 5.0 V ± 10%	—	—	15.5	
				C <sub>L</sub> = 25 pF, V <sub>DD</sub> = 3.3 V ± 10%	—	—	7.0	
				C <sub>L</sub> = 50 pF, V <sub>DD</sub> = 3.3 V ± 10%	—	—	7.1	
I <sub>DYN_S</sub>	CC	D	Dynamic I/O current for STRONG configuration	C <sub>L</sub> = 25 pF, V <sub>DD</sub> = 5.0 V ± 10%	—	—	50	mA
				C <sub>L</sub> = 50 pF, V <sub>DD</sub> = 5.0 V ± 10%	—	—	55	
				C <sub>L</sub> = 25 pF, V <sub>DD</sub> = 3.3 V ± 10%	—	—	22	
				C <sub>L</sub> = 50 pF, V <sub>DD</sub> = 3.3 V ± 10%	—	—	25	

Table 24. I/O consumption<sup>(1)</sup>(Continued)

Symbol	C	Parameter	Conditions	Value			Unit
				Min	Typ	Max	
I <sub>DYN_V</sub>	CC	Dynamic I/O current for VERY STRONG configuration	C <sub>L</sub> = 25 pF, V <sub>DD</sub> = 5.0 V ± 10%	—	—	60	mA
			C <sub>L</sub> = 50 pF, V <sub>DD</sub> = 5.0 V ± 10%	—	—	64	
			C <sub>L</sub> = 25 pF, V <sub>DD</sub> = 3.3 V ± 10%	—	—	26	
			C <sub>L</sub> = 50 pF, V <sub>DD</sub> = 3.3 V ± 10%	—	—	29	

- I/O current consumption specifications for the 4.5 V ≤ V<sub>DD\_HV\_IO</sub> ≤ 5.5 V range are valid for VSIO\_[VSIO\_xx] = 1, and VSIO\_[VSIO\_xx] = 0 for 3.0 V ≤ V<sub>DD\_HV\_IO</sub> ≤ 3.6 V.
- Stated maximum values represent peak consumption that lasts only a few ns during I/O transition. When possible (timed output) it is recommended to delay transition between pads by few cycles to reduce noise and consumption.

### 3.11 Reset pad ( $\overline{\text{PORST}}$ , $\overline{\text{ESR0}}$ ) electrical characteristics

The device implements a dedicated bidirectional reset pin ( $\overline{\text{PORST}}$ ).

*Note:*  $\overline{\text{PORST}}$  pin does not require active control. It is possible to implement an external pull-up to ensure correct reset exit sequence. Recommended value is 4.7 kΩ.

Figure 10. Start-up reset requirements

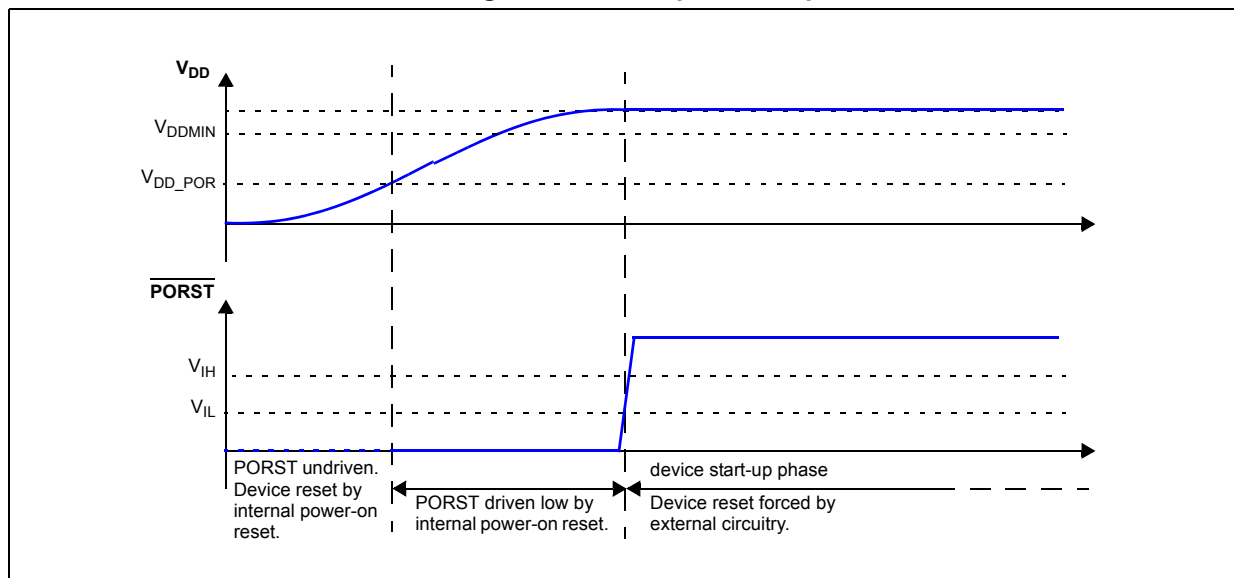




Figure 11 describes device behavior depending on supply signal on  $\overline{\text{PORST}}$ :

1.  $\overline{\text{PORST}}$  low pulse amplitude is too low—it is filtered by input buffer hysteresis. Device remains in current state.
2.  $\overline{\text{PORST}}$  low pulse duration is too short—it is filtered by a low pass filter. Device remains in current state.
3.  $\overline{\text{PORST}}$  low pulse generates a reset:
  - a)  $\overline{\text{PORST}}$  low but initially filtered during at least  $W_{\text{FRST}}$ . Device remains initially in current state.
  - b)  $\overline{\text{PORST}}$  potentially filtered until  $W_{\text{NFRST}}$ . Device state is unknown: it may either be reset or remains in current state depending on other factors (temperature, voltage, device).
  - c)  $\overline{\text{PORST}}$  asserted for longer than  $W_{\text{NFRST}}$ . Device is under reset.

Figure 11. Noise filtering on reset signal

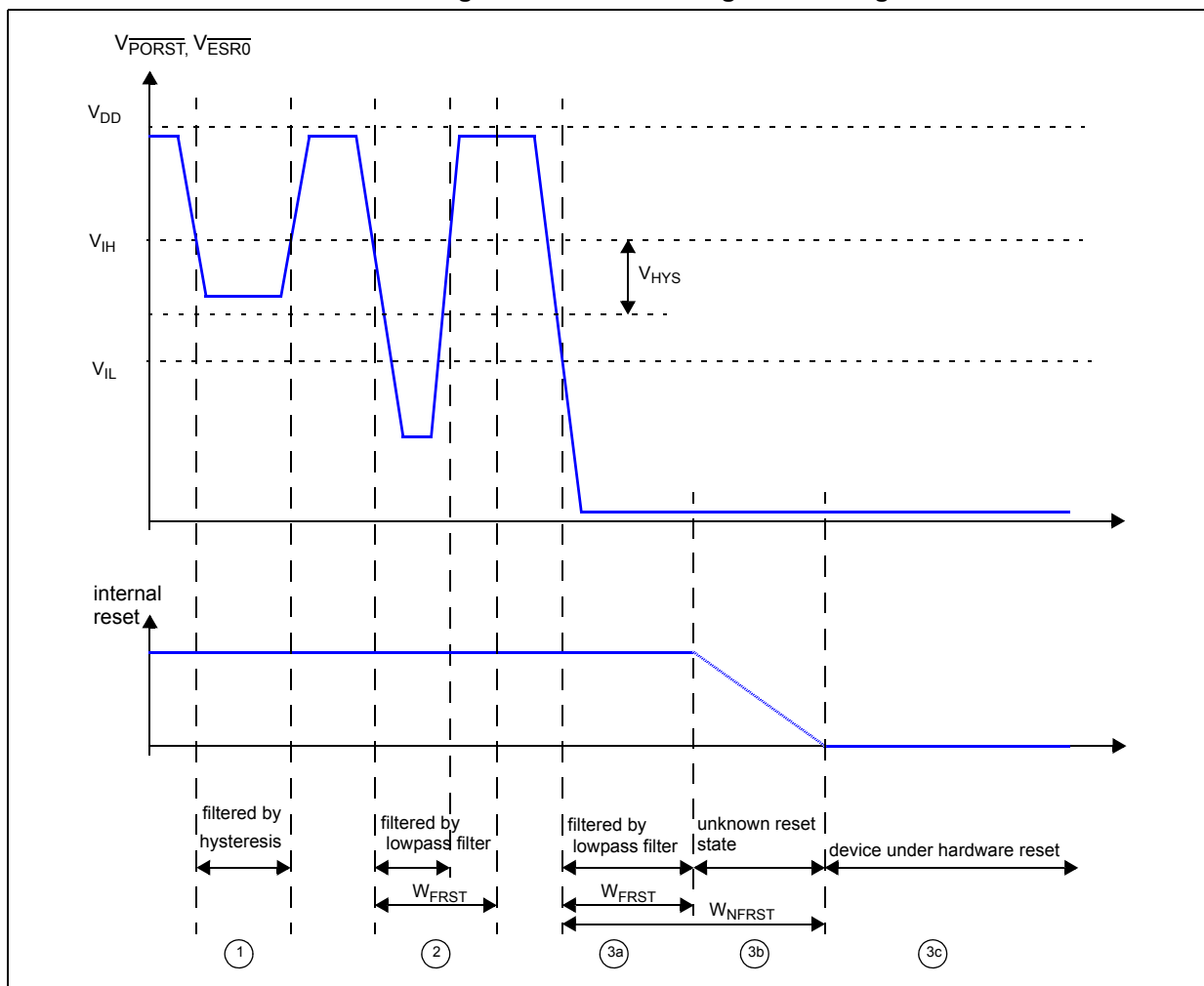


Table 25. Reset electrical characteristics

Symbol			Parameter	Conditions	Value <sup>(1)</sup>			Unit
					Min	Typ	Max	
V <sub>IH</sub>	SR	P	Input high level TTL (Schmitt trigger)	—	2.0	—	V <sub>DD_HV_IO</sub> +0.4	V
V <sub>IL</sub>	SR	P	Input low level TTL (Schmitt trigger)	—	-0.4	—	0.8	V
V <sub>HYS</sub>	CC	C	Input hysteresis TTL (Schmitt trigger)	—	275	—	—	mV
V <sub>DD_POR</sub>	CC	D	Minimum supply for strong pull-down activation	—	—	—	1.2	V
I <sub>OL_R</sub>	CC	P	Strong pull-down current <sup>(2)</sup>	Device under power-on reset V <sub>DD_HV_IO</sub> = V <sub>DD_POR</sub> , V <sub>OL</sub> = 0.35 * V <sub>DD_HV_IO</sub>	0.2	—	—	mA
				Device under power-on reset 3.0 V < V <sub>DD_HV_IO</sub> < 5.5 V, V <sub>OL</sub> > 1.0 V	8	—	—	
I <sub>WPUL</sub>	CC	P	Weak pull-up current absolute value	ESR0 pin V <sub>IN</sub> = 0.69 * V <sub>DD_HV_IO</sub>	23	—	65	μA
		C		ESR0 pin V <sub>IN</sub> = 0.49 * V <sub>DD_HV_IO</sub>	—	—	82	
I <sub>WPD</sub>	CC	P	Weak pull-down current absolute value	PORST pin V <sub>IN</sub> = 0.69 * V <sub>DD_HV_IO</sub>	50	—	130	μA
		C		PORST pin V <sub>IN</sub> = 0.49 * V <sub>DD_HV_IO</sub>	40	—	—	
W <sub>FRST</sub>	SR	P	PORST and ESR0 input filtered pulse	—	—	—	500	ns
W <sub>NFRST</sub>	SR	P	PORST and ESR0 input not filtered pulse	—	2000	—	—	ns
W <sub>FNMI</sub>	SR	P	ESR1 input filtered pulse	—	—	—	15	ns
W <sub>NFNMI</sub>	SR	P	ESR1 input not filtered pulse	—	400	—	—	ns

1. An external 4.7 KOhm pull-up resistor is recommended to be used with the PORST and ESR0 pins for fast negation of the signals.
2. I<sub>OL\_R</sub> applies to both PORST and ESR0: Strong pull-down is active on PHASE0 for PORST. Strong pull-down is active on PHASE0, PHASE1, PHASE2, and the beginning of PHASE3 for ESR0.

PORST must be connected to an external power-on supply circuitry. Minimum requested circuitry is external pull-up to ensure device can exit reset.

*Note:* No restrictions exist on reset signal slew rate apart from absolute maximum rating compliance.

### 3.12 Oscillator and FMPLL

#### 3.12.1 FMPLL

Two frequency-modulated phase-locked loop (FMPLL) modules, the Reference PLL (PLL0) and the System PLL (PLL1) generate the system and auxiliary clocks from the main oscillator driver.

Figure 12. PLL integration

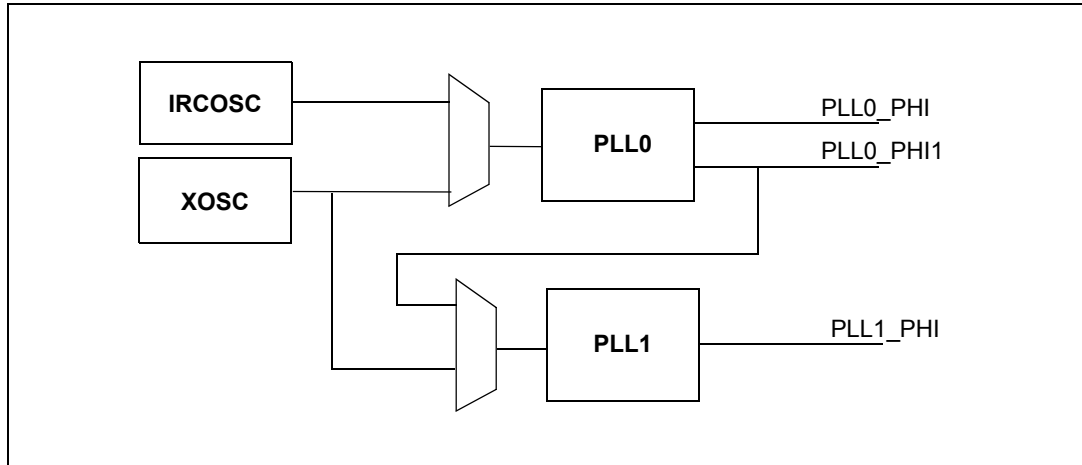


Table 26. PLL0 electrical characteristics

Symbol	C	Parameter	Conditions	Value			Unit
				Min	Typ	Max	
$f_{PLL0IN}$	SR	—	PLL0 input clock <sup>(1),(2)</sup>	8	—	44	MHz
$\Delta_{PLL0IN}$	SR	—	PLL0 input clock duty cycle <sup>(1)</sup>	40	—	60	%
$f_{PLL0VCO}$	CC	P	PLL0 VCO frequency	600	—	1250	MHz
$f_{PLL0PHI}$	CC	D	PLL0 clock output frequency on PHI	—	—	400	MHz
$f_{PLL0PHI1}$	CC	D	PLL0 clock output frequency on PHI1	—	—	78	MHz
$t_{PLL0LOCK}$	CC	P	PLL0 lock time	—	—	110	$\mu$ s
$ \Delta_{PLL0PHI0SPJIT} $	CC	T	PLL0_PHI0 single period jitter $f_{PLL0IN} = 20$ MHz (resonator)	$f_{PLL0PHI0} = 400$ MHz, 6-sigma pk-pk		200	ps
$ \Delta_{PLL0PHI1SPJIT} $	CC	T	PLL0_PHI1 single period jitter $f_{PLL0IN} = 20$ MHz (resonator)	$f_{PLL0PHI1} = 40$ MHz, 6-sigma pk-pk		300 <sup>(3)</sup>	ps

Table 26. PLL0 electrical characteristics(Continued)

Symbol	C	Parameter	Conditions	Value			Unit	
				Min	Typ	Max		
Δ <sub>PLL0LTJIT</sub>	CC	T	PLL0 long-term jitter <sup>(3)</sup> f <sub>PLL0IN</sub> = 20 MHz (resonator), VCO frequency = 800 MHz	10 periods accumulated jitter (80 MHz equivalent frequency), 6-sigma pk-pk	—	—	± 250	ps
				16 periods accumulated jitter (50 MHz equivalent frequency), 6-sigma pk-pk	—	—	± 300	ps
				long term jitter (< 1 MHz equivalent frequency), 6-sigma pk-pk	—	—	± 500	ps
I <sub>PLL0</sub>	CC	C	PLL0 consumption	FINE LOCK state	—	—	5	mA
f <sub>PLL0FREE</sub>	CC	D	VCO free running frequency	—	35	—	400	MHz

1. PLL0IN clock retrieved directly from either internal RC oscillator (IRCOSC) or external oscillator (XOSC) clock. Input characteristics are granted when using XOSC.
2. f<sub>PLL0IN</sub> frequency must be scaled down using PLLDIG\_PLL0DV[PREDIV] to ensure PFD input signal is in the range 8 MHz-20 MHz.
3. VDD\_LV noise due to application in the range VDD\_LV = 1.25 V ± 5%, with frequency below PLL bandwidth (40 KHz) is filtered.

Table 27. PLL1 electrical characteristics

Symbol	C	Parameter	Conditions	Value			Unit	
				Min	Typ	Max		
f <sub>PLL1IN</sub>	SR	—	PLL1 input clock <sup>(1)</sup>	—	38	—	78	MHz
Δ <sub>PLL1IN</sub>	SR	—	PLL1 input clock duty cycle <sup>(1)</sup>	—	35	—	65	%
f <sub>PLL1VCO</sub>	CC	P	PLL1 VCO frequency	—	600	—	1250	MHz
f <sub>PLL1PHI</sub>	CC	D	PLL1 output clock frequency on PHI	—	4.762	—	160	MHz
t <sub>PLL1LOCK</sub>	CC	P	PLL1 lock time	—	—	—	100	μs
f <sub>PLL1MOD</sub>	CC	T	PLL1 modulation frequency	—	—	—	250	KHz
δ <sub>PLL1MOD</sub>	CC	T	PLL1 modulation depth (when enabled)	Center spread	0.25	—	2	%
				Down spread	0.5	—	4	%
I <sub>PLL1</sub>	CC	C	PLL1 consumption	FINE LOCK state	—	—	6	mA
f <sub>PLL1FREE</sub>	CC	D	VCO free running frequency	—	35	—	400	MHz

1. PLL1IN clock retrieved directly from either internal PLL0 or external XOSC clock. Input characteristics are granted when using internal PLL0 or XOSC is used in functional mode.

3.12.2 External oscillator (XOSC)

Table 28. External Oscillator electrical specifications

Symbol	C	Parameter	Conditions	Value		Unit		
				Min	Max			
f <sub>XTAL</sub>	CC	D	Crystal Frequency Range <sup>(1)</sup>	—	4	8	MHz	
				—	>8	20		
				—	>20	40		
t <sub>cst</sub>	CC	T	Crystal start-up time <sup>(2),(3)</sup>	T <sub>J</sub> = 150 °C	—	5	ms	
t <sub>rec</sub>	CC	—	Crystal recovery time <sup>(4)</sup>	—	—	0.5	ms	
V <sub>IHEXT</sub>	CC	D	EXTAL input high voltage (External Reference)	V <sub>REF</sub> = 0.28 * V <sub>DD_HV_IO_JTAG</sub>	V <sub>REF</sub> + 0.6	—	V	
V <sub>ILEXT</sub>	CC	D	EXTAL input low voltage <sup>(5)</sup>	V <sub>REF</sub> = 0.28 * V <sub>DD_HV_IO_JTAG</sub>	—	V <sub>REF</sub> - 0.6	V	
C <sub>S_EXTAL</sub>	CC	T	Total on-chip stray capacitance on EXTAL pin <sup>(6)</sup>	QFP	6.0	8.0	pF	
C <sub>S_XTAL</sub>	CC	T	Total on-chip stray capacitance on XTAL pin <sup>(8)</sup>	QFP	6.0	8.0	pF	
g <sub>m</sub>	CC	P	Oscillator Transconductance	T <sub>J</sub> = -40 °C to 150 °C 4.5 V < V <sub>DD_HV_IO</sub> < 5.5 V	f <sub>XTAL</sub> ≤ 8 MHz	2.6	11.0	mA/V
					f <sub>XTAL</sub> ≤ 20 MHz	7.9	26.0	
					f <sub>XTAL</sub> ≤ 40 MHz	10.4	34.0	
V <sub>EXTAL</sub>	CC	D	Oscillation Amplitude on the EXTAL pin after startup <sup>(7)</sup>	T <sub>J</sub> = -40 °C to 150 °C	0.5	1.8	V	
V <sub>HYS</sub>	CC	D	Comparator Hysteresis	T <sub>J</sub> = 150 °C	0.1	1.0	V	
I <sub>XTAL</sub>	CC	D	XTAL current <sup>(8)</sup>	T <sub>J</sub> = 150 °C	—	14	mA	

1. The range is selectable by UTEST miscellaneous DCF clients XOSC\_LF\_EN and XOSC\_EN\_40 MHz.
2. This value is determined by the crystal manufacturer and board design.
3. Proper PC board layout procedures must be followed to achieve specifications.
4. Crystal recovery time is the time for the oscillator to settle to the correct frequency after adjustment of the integrated load capacitor value.
5. Applies to an external clock input and not to crystal mode.
6. See crystal manufacturer's specification for recommended load capacitor (C<sub>L</sub>) values. The external oscillator requires external load capacitors when operating from 8 MHz to 16 MHz. Account for on-chip stray capacitance (C<sub>S\_EXTAL</sub>/C<sub>S\_XTAL</sub>) and PCB capacitance when selecting a load capacitor value. When operating at 20 MHz/40 MHz, the integrated load capacitor value is selected via S/W to match the crystal manufacturer's specification, while accounting for on-chip and PCB capacitance.
7. Amplitude on the EXTAL pin after startup is determined by the ALC block, i.e., the Automatic Level Control Circuit. The function of the ALC is to provide high drive current during oscillator startup, but reduce current after oscillation in order to reduce power, distortion, and RFI, and to avoid over-driving the crystal. The operating point of the ALC is dependent on the crystal value and loading conditions.
8. I<sub>XTAL</sub> is the oscillator bias current out of the XTAL pin with both EXTAL and XTAL pins grounded. This is the maximum current during startup of the oscillator. The current after oscillation is typically in the 2-3 mA range and is dependent on the load and series resistance of the crystal. Test circuit is shown in Figure 14. The ALC block is the Automatic Level Control Circuit. The function of the ALC is to provide high drive current during oscillator startup, but reduce current after oscillation in order to reduce power, distortion, and RFI, and to avoid overdriving the crystal.



Figure 13. Crystal/Resonator Connections

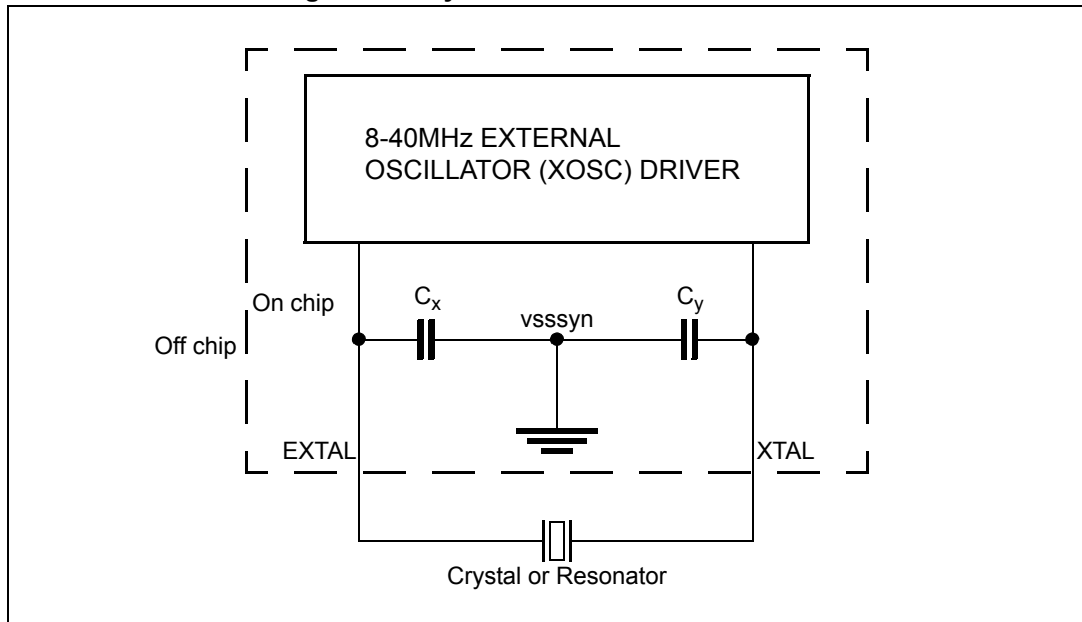


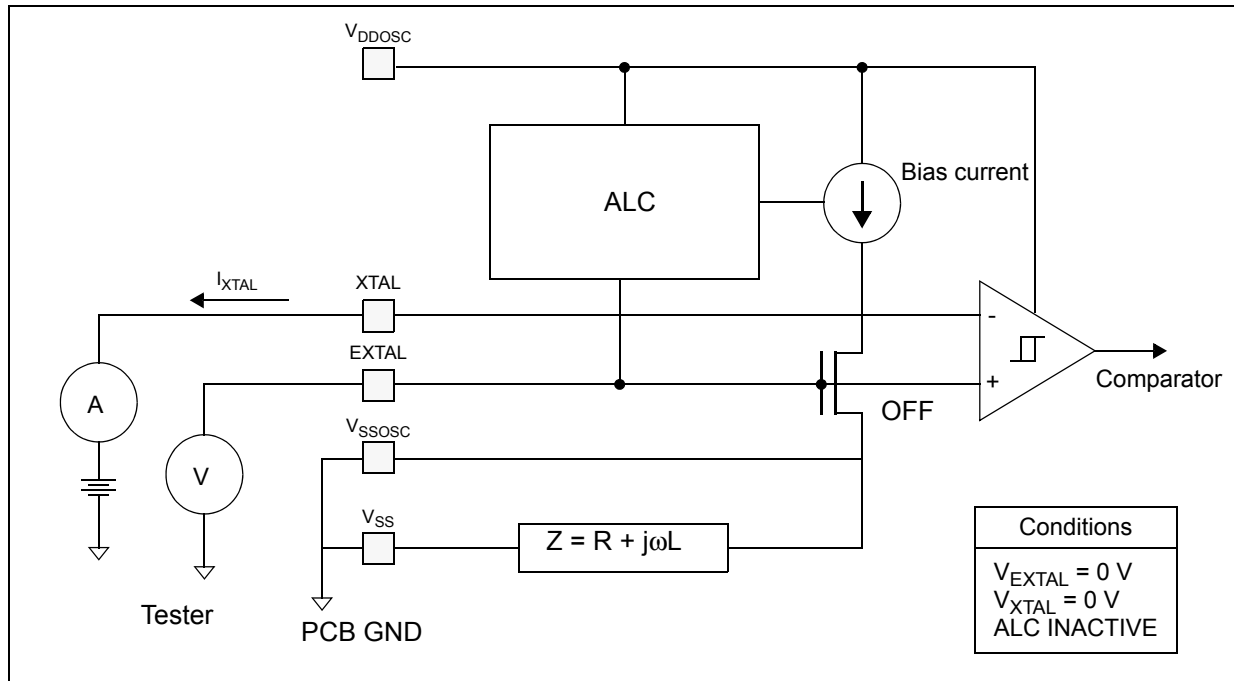
Table 29. Selectable load capacitance

load_cap_sel[4:0] from DCF record	Capacitance offered on EXTAL/XTAL (Cx and Cy) <sup>(1),(2)</sup> (pF)
00000	1.0
00001	2.0
00010	2.9
00011	3.8
00100	4.8
00101	5.7
00110	6.6
00111	7.5
01000	8.5
01001	9.4
01010	10.3
01011	11.2
01100	12.2
01101	13.1
01110	14.0
01111	15.0
10000–11111 <sup>(3)</sup>	Reserved

1. Values are determined from simulation across process corners and voltage and temperature variation. Capacitance values vary ±12% across process, 0.25% across voltage, and no variation across temperature.

- Values in this table do not include the die and package capacitances given by  $C_{s\_xtal}/C_{s\_extal}$  in [Table 28 \(External Oscillator electrical specifications\)](#).
- Configurations 10000–11111 should not be used. Configurations 10000–11100 result in same capacitances of configurations 00011–01111. Configurations 11101, 11110, and 11111 select maximum capacitances.

Figure 14. Test circuit



### 3.12.3 Internal oscillator (IRCOSC)

Table 30. Internal RC oscillator electrical specifications

Symbol	C	Parameter	Conditions	Value			Unit
				Min	Typ	Max	
$f_{Target}$	CC	D	IRCOSC target frequency	—	16	—	MHz
$\delta f_{var\_noT}$	CC	P	IRC frequency variation without temperature compensation	$T_J < 150\text{ }^\circ\text{C}$	-8	+8	%
$\delta f_{var\_T}$	CC	T	IRC frequency variation with temperature compensation	$T_J < 150\text{ }^\circ\text{C}$	-1.5	+1.5	%
$\delta f_{var\_SW}$	—	T	IRC frequency accuracy after software trimming accuracy <sup>(1)</sup>	Trimming temperature	-0.5	+0.5	%
$t_{start\_noT}$	CC	T	Startup time to reach within $f_{var\_noT}$	Factory trimming already applied	—	5	$\mu\text{s}$
$t_{start\_T}$	CC	T	Startup time to reach within $f_{var\_T}$	Factory trimming already applied	—	120	$\mu\text{s}$
$\delta f_{TC}$	CC	T	RCOSC temperature coefficient without temperature compensation $T_J = -40\text{ }^\circ\text{C}$ to $150\text{ }^\circ\text{C}$	$4.5\text{ V} < V_{DD\_HV\_ADV} < 5.5\text{ V}$ Stable supply, temperature compensation disabled	-6.0	+6.0	KHz/ $^\circ\text{C}$

- The typical user trim step size  $\delta f_{TRIM} = 0.35\%$ .

### 3.13 ADC specifications

#### 3.13.1 ADC input description

Figure 15 shows the input equivalent circuit for fast SARn channels.

Figure 15. Input equivalent circuit (Fast SARn channels)

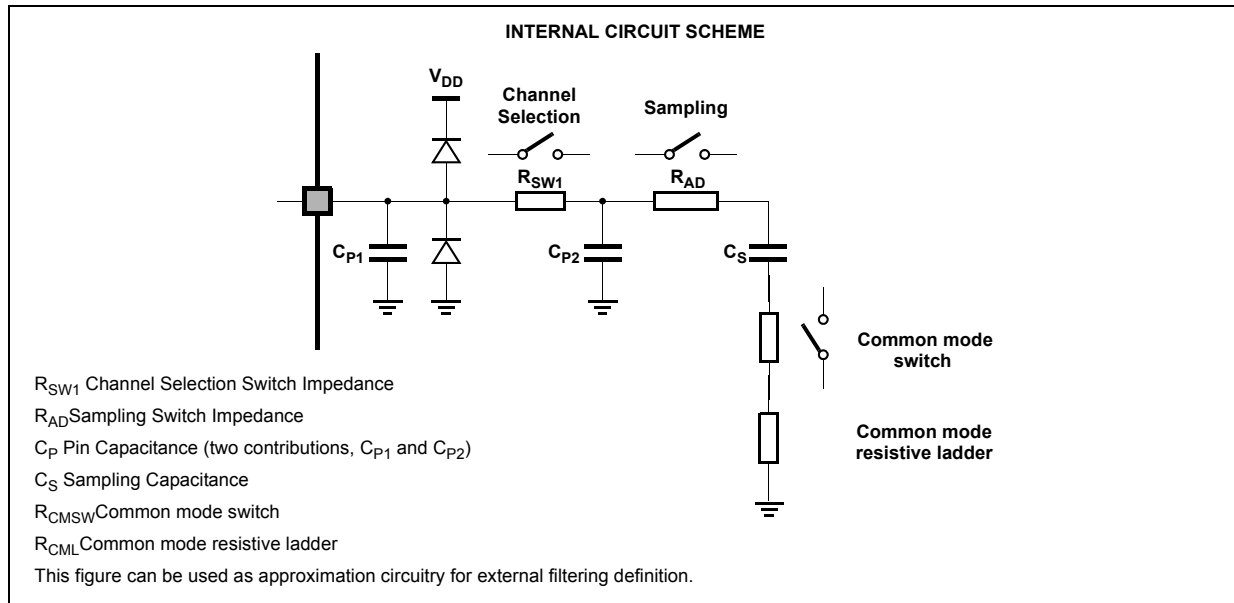


Figure 16 shows the input equivalent circuit for SARB channels.



Figure 16. Input equivalent circuit (SARB channels)

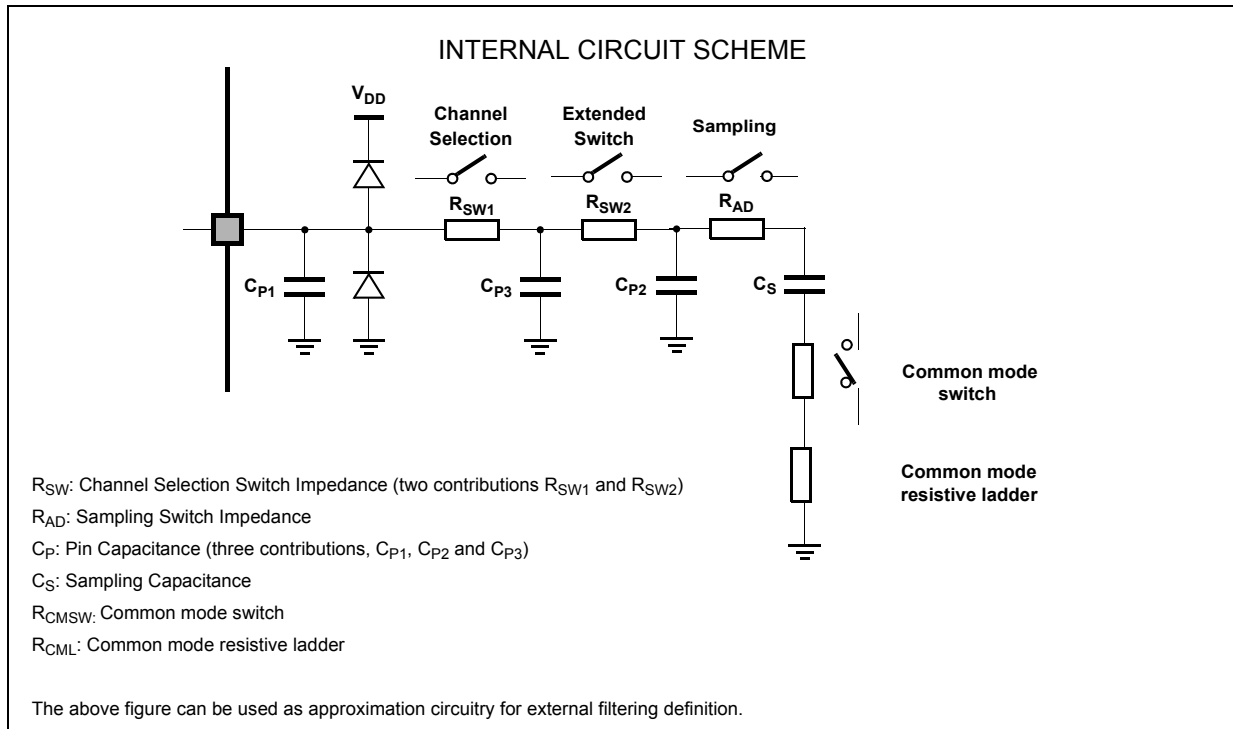


Table 31. ADC pin specification<sup>(1)</sup>

Symbol	C	Parameter	Conditions	Value		Unit	
				Min	Max		
$I_{LK\_INUD}$	CC	C	Input leakage current, two ADC channels input with weak pull-up and weak pull-down	$T_J < 40\text{ }^\circ\text{C}$ , no current injection on adjacent pin	—	70	nA
				$T_J < 150\text{ }^\circ\text{C}$ , no current injection on adjacent pin	—	220	
$I_{LK\_INUSD}$	CC	C	Input leakage current, two ADC channels input with weak pull-up and strong pull-down	$T_J < 40\text{ }^\circ\text{C}$ , no current injection on adjacent pin	—	80	nA
				$T_J < 150\text{ }^\circ\text{C}$ , no current injection on adjacent pin	—	250	
$I_{LK\_INREF}$	CC	C	Input leakage current, two ADC channels input with weak pull-up and weak pull-down and alternate reference	$T_J < 40\text{ }^\circ\text{C}$ , no current injection on adjacent pin	—	160	nA
				$T_J < 150\text{ }^\circ\text{C}$ , no current injection on adjacent pin	—	400	
$I_{LK\_INOUT}$	CC	C	Input leakage current, two ADC channels input, GPIO output buffer with weak pull-up and weak pull-down	$T_J < 40\text{ }^\circ\text{C}$ , no current injection on adjacent pin	—	140	nA
				$T_J < 150\text{ }^\circ\text{C}$ , no current injection on adjacent pin	—	380	
$I_{INJ}$	CC	T	Injection current on analog input preserving functionality	Applies to any analog pins	-3	3	mA
$C_{HV\_ADC}$	SR	D	$V_{DD\_HV\_ADV}$ external capacitance <sup>(2)</sup>	—	1	2.2	$\mu\text{F}$

Table 31. ADC pin specification<sup>(1)</sup>(Continued)

Symbol	C	Parameter	Conditions	Value		Unit	
				Min	Max		
C <sub>P1</sub>	CC	D	Pad capacitance	—	0	10	pF
C <sub>P2</sub>	CC	D	Internal routing capacitance	SARn channels	0	0.5	pF
		D		SARB channels	0	1	
C <sub>P3</sub>	CC	D	Internal routing capacitance	Only for SARB channels	0	1	pF
C <sub>S</sub>	CC	D	SAR ADC sampling capacitance	—	6	8.5	pF
R <sub>SWn</sub>	CC	D	Analog switches resistance	SARn channels	0	1.1	kΩ
		D		SARB channels	0	1.7	
R <sub>AD</sub>	CC	D	ADC input analog switches resistance	—	0	0.6	kΩ
R <sub>CMSW</sub>	CC	D	Common mode switch resistance	—	0	2.6	kΩ
R <sub>CMRL</sub>	CC	D	Common mode resistive ladder	—	0	3.5	kΩ
R <sub>SAFE<sub>PD</sub></sub> <sup>(3)</sup>	CC	D	Discharge resistance for AN7/AN35 channels (strong pull-down for safety)	—	0	300	Ω
ΣI <sub>ADV</sub>	CC	P	ADC pin supply consumption	All SAR and S/D ADC associated to the pin are enabled	—	31	mA
		T		Static consumption (Power-down mode)	—	1	

1. All specifications in this table valid for the full input voltage range for the analog inputs.
2. For noise filtering, add a high frequency bypass capacitance of 0.1 μF between V<sub>DD\_HV\_ADV</sub> and V<sub>SS\_HV\_ADV</sub>.
3. Safety pull-down is available for port pin PB[5] and PE[14]. It enables discharge of up to 100 nF from 5 V every 300 ms.

## 3.13.2 SAR ADC electrical specification

Table 32. ADC pin specification<sup>(1)</sup>

Symbol	C	Parameter	Conditions	Value		Unit	
				Min	Max		
I <sub>LK_INUD</sub>	CC	C	Input leakage current, two ADC channels input with weak pull-up and weak pull-down	T <sub>j</sub> < 40 °C, no current injection on adjacent pin	—	70	nA
				T <sub>j</sub> < 150 °C, no current injection on adjacent pin	—	220	
I <sub>LK_INUSD</sub>	CC	C	Input leakage current, two ADC channels input with weak pull-up and strong pull-down	T <sub>j</sub> < 40 °C, no current injection on adjacent pin	—	80	nA
				T <sub>j</sub> < 150 °C, no current injection on adjacent pin	—	250	
I <sub>LK_INREF</sub>	CC	C	Input leakage current, two ADC channels input with weak pull-up and weak pull-down and alternate reference	T <sub>j</sub> < 40 °C, no current injection on adjacent pin	—	160	nA
				T <sub>j</sub> < 150 °C, no current injection on adjacent pin	—	400	
I <sub>LK_INOUT</sub>	CC	C	Input leakage current, two ADC channels input, GPIO output buffer with weak pull-up and weak pull-down	T <sub>j</sub> < 40 °C, no current injection on adjacent pin	—	140	nA
				T <sub>j</sub> < 150 °C, no current injection on adjacent pin	—	380	
I <sub>INJ</sub>	CC	T	Injection current on analog input preserving functionality	Applies to any analog pins	-3	3	mA
C <sub>HV_ADC</sub>	SR	D	V <sub>DD_HV_ADV</sub> external capacitance <sup>(2)</sup>		1	2.2	μF
C <sub>P1</sub>	CC	D	Pad capacitance	—	0	10	pF
C <sub>P2</sub>	CC	D	Internal routing capacitance	SARn channels	0	0.5	pF
		D		SARB channels	0	1	
C <sub>P3</sub>	CC	D	Internal routing capacitance	Only for SARB channels	0	1	pF
C <sub>S</sub>	CC	D	SAR ADC sampling capacitance	—	6	8.5	pF
R <sub>SWn</sub>	CC	D	Analog switches resistance	SARn channels	0	1.1	kΩ
		D		SARB channels	0	1.7	
R <sub>AD</sub>	CC	D	ADC input analog switches resistance	—	0	0.6	kΩ
R <sub>CMSW</sub>	CC	D	Common mode switch resistance	—	0	2.6	kΩ
R <sub>CMRL</sub>	CC	D	Common mode resistive ladder	—	0	3.5	kΩ
R <sub>SAFE PD</sub> <sup>(3)</sup>	CC	D	Discharge resistance for AN7/AN35 channels (strong pull-down for safety)	—	0	300	W
ΣI <sub>ADV</sub>	CC	P	ADC pin supply consumption	All SAR and S/D ADC associated to the pin are enabled	—	31	mA
		T		Static consumption (Power-down mode)	—	1	

1. All specifications in this table valid for the full input voltage range for the analog inputs.
2. For noise filtering, add a high frequency bypass capacitance of 0.1  $\mu$ F between  $V_{DD\_HV\_ADV}$  and  $V_{SS\_HV\_ADV}$ .
3. Safety pull-down is available for port pin PB[5] and PE[14]. It enables discharge of up to 100 nF from 5 V every 300 ms.

The SARn ADCs are 12-bit Successive Approximation Register analog-to-digital converters with full capacitive DAC. The SARn architecture allows input channel multiplexing.

**Table 33. SARn ADC electrical specification<sup>(1)</sup>**

Symbol	C	Parameter	Conditions	Value		Unit	
				Min	Max		
$V_{ALTREF}$	SR	ADC alternate reference voltage	$V_{ALTREF} < V_{DD\_HV\_IO\_MAIN}$ $V_{ALTREF} < V_{DD\_HV\_ADV}$	4.5	5.5	V	
				4.0	5.9		
			Extended range with reduce TUE $V_{ALTREF} < V_{DD\_HV\_IO\_MAIN}$ $V_{ALTREF} < V_{DD\_HV\_ADV}$	2.0	5.9		
$V_{IN}$	SR	D	ADC input signal	$0 < V_{IN} < V_{DD\_HV\_IO\_MAIN}$	$V_{SS\_HV\_ADR}$	$V_{DD\_HV\_ADR}$	V
$f_{ADCK}$	SR	P	Clock frequency	$T_J < 150\text{ }^\circ\text{C}$	7.5	14.6	MHz
$t_{ADCPRECH}$	SR	T	ADC precharge time	Fast SAR—fast precharge	135	—	ns
				Fast SAR—full precharge	270	—	
				Slow SAR (SARADC_B)—fast precharge	270	—	
				Slow SAR (SARADC_B)—full precharge	540	—	
$\Delta V_{PRECH}$	SR	D	ADC Precharge voltage	Full precharge $V_{PRECH} = V_{DD\_HV\_ADR}/2$ $T_J < 150\text{ }^\circ\text{C}$	-0.25	0.25	V
				Fast precharge $V_{PRECH} = V_{DD\_HV\_ADR}/2$ $T_J < 150\text{ }^\circ\text{C}$	-0.5	0.5	V
$\Delta V_{INTREF}$	CC	P	Internal reference voltage precision	Applies to all internal reference points ( $V_{SS\_HV\_ADR}$ , $1/3 * V_{DD\_HV\_ADR}$ , $2/3 * V_{DD\_HV\_ADR}$ , $V_{DD\_HV\_ADR}$ )	-0.20	0.20	V
$t_{ADCSAMPLE}$	SR	P	ADC sample time <sup>(2)</sup>	Fast SAR – 12-bit configuration	0.750	—	$\mu$ s
				Fast SAR – 10-bit configuration	0.555	—	
				Slow SAR (SARADC_B) – 12-bit configuration	1.500	—	
				Slow SAR (SARADC_B) – 10-bit configuration	0.833	—	

Table 33. SARn ADC electrical specification<sup>(1)</sup>(Continued)

Symbol	C	Parameter	Conditions	Value		Unit	
				Min	Max		
t <sub>ADCEVAL</sub>	SR	P	ADC evaluation time	12-bit configuration (25 clock cycles)	1.712	—	μs
		D		10-bit configuration (21 clock cycles)	1.458	—	
I <sub>ADCSAR_RE FH</sub> <sup>(3),(4)</sup>	CC	T	ADC high reference current	Dynamic consumption (t <sub>conv</sub> = 5 μs <sup>(5)</sup> )	—	3.5 <sup>(6)</sup>	μA
				Dynamic consumption (t <sub>conv</sub> = 2.5 μs <sup>(6)</sup> )	—	7	
				Static consumption (Power Down mode)	—	4	
				Bias Current <sup>(7)</sup>	—	+2	
I <sub>ADCSAR_RE FL</sub> <sup>(4)</sup>	CC	D	ADC low reference current	Run mode t <sub>conv</sub> ≥ 5 μs V <sub>DD_HV_ADR</sub> ≤ 5.5 V	—	15	μA
				Run mode t <sub>conv</sub> = 2.5 μs V <sub>DD_HV_ADR</sub> ≤ 5.5 V	—	30	
				Power Down mode V <sub>DD_HV_ADR</sub> ≤ 5.5 V	—	1	
I <sub>ADV_S</sub>	CC	T	V <sub>DD_HV_ADV</sub> power supply current (each ADC)	Dynamic consumption (t <sub>conv</sub> = 5 μs)	—	4.0	mA
				Dynamic consumption (t <sub>conv</sub> = 2.5 μs)	—	4.0	
TUE <sub>12</sub>	CC	T <sup>(8)</sup>	Total unadjusted error in 12-bit configuration <sup>(9)</sup>	T <sub>J</sub> < 150 °C, V <sub>DD_HV_ADV</sub> > 4 V, V <sub>DD_HV_ADR</sub> > 4 V	-4	4	LSB (12b)
		P		T <sub>J</sub> < 150 °C, V <sub>DD_HV_ADV</sub> > 4 V, V <sub>DD_HV_ADR</sub> > 4 V	-6	6	
		T		T <sub>J</sub> < 150 °C, V <sub>DD_HV_ADV</sub> > 4 V, 4 V > V <sub>DD_HV_ADR</sub> > 2 V	-6	6	
		T		T <sub>J</sub> < 150 °C, 4 V > V <sub>DD_HV_ADV</sub> > 3.5 V	-12	12	
TUE <sub>10</sub>	CC	C	Total unadjusted error in 10-bit configuration	T <sub>J</sub> < 150 °C, V <sub>DD_HV_ADV</sub> > 4 V V <sub>DD_HV_ADR</sub> > 4 V	-1.5	1.5	LSB (10b)
		C		T <sub>J</sub> < 150 °C, V <sub>DD_HV_ADV</sub> > 4 V, 4 V > V <sub>DD_HV_ADR</sub> > 2 V	-2.0	2.0	

Table 33. SARn ADC electrical specification<sup>(1)</sup>(Continued)

Symbol	C	Parameter	Conditions	Value		Unit	
				Min	Max		
$\Delta TUE_{12}$	CC	D	TUE degradation due to $V_{DD\_HV\_ADR}$ offset with respect to $V_{DD\_HV\_ADV}$	$V_{IN} < V_{DD\_HV\_ADV}$ $V_{DD\_HV\_ADR} - V_{DD\_HV\_ADV} \in [0:25 \text{ mV}]$	0	0	LSB (12b)
				$V_{IN} < V_{DD\_HV\_ADV}$ $V_{DD\_HV\_ADR} - V_{DD\_HV\_ADV} \in [25:50 \text{ mV}]$	-2	2	
				$V_{IN} < V_{DD\_HV\_ADV}$ $V_{DD\_HV\_ADR} - V_{DD\_HV\_ADV} \in [50:75 \text{ mV}]$	-4	4	
				$V_{IN} < V_{DD\_HV\_ADV}$ $V_{DD\_HV\_ADR} - V_{DD\_HV\_ADV} \in [75:100 \text{ mV}]$	-6	6	
				$V_{DD\_HV\_ADV} < V_{IN} < V_{DD\_HV\_ADR}$ $V_{DD\_HV\_ADR} - V_{DD\_HV\_ADV} \in [0:25 \text{ mV}]$	-2.5	2.5	
				$V_{DD\_HV\_ADV} < V_{IN} < V_{DD\_HV\_ADR}$ $V_{DD\_HV\_ADR} - V_{DD\_HV\_ADV} \in [25:50 \text{ mV}]$	-4	4	
				$V_{DD\_HV\_ADV} < V_{IN} < V_{DD\_HV\_ADR}$ $V_{DD\_HV\_ADR} - V_{DD\_HV\_ADV} \in [50:75 \text{ mV}]$	-7	7	
				$V_{DD\_HV\_ADV} < V_{IN} < V_{DD\_HV\_ADR}$ $V_{DD\_HV\_ADR} - V_{DD\_HV\_ADV} \in [75:100 \text{ mV}]$	-12	12	

Table 33. SARn ADC electrical specification<sup>(1)</sup>(Continued)

Symbol	C	Parameter	Conditions	Value		Unit	
				Min	Max		
$\Delta TUE_{10}$	CC	D	TUE degradation due to $V_{DD\_HV\_ADR}$ offset with respect to $V_{DD\_HV\_ADV}$	$V_{IN} < V_{DD\_HV\_ADV}$ $V_{DD\_HV\_ADR} - V_{DD\_HV\_ADV} \in [0:25 \text{ mV}]$	0	0	LSB (10b)
				$V_{IN} < V_{DD\_HV\_ADV}$ $V_{DD\_HV\_ADR} - V_{DD\_HV\_ADV} \in [25:50 \text{ mV}]$	-0.5	0.5	
				$V_{IN} < V_{DD\_HV\_ADV}$ $V_{DD\_HV\_ADR} - V_{DD\_HV\_ADV} \in [50:75 \text{ mV}]$	-1	1	
				$V_{IN} < V_{DD\_HV\_ADV}$ $V_{DD\_HV\_ADR} - V_{DD\_HV\_ADV} \in [75:100 \text{ mV}]$	-1.5	1.5	
				$V_{DD\_HV\_ADV} < V_{IN} < V_{DD\_HV\_ADR}$ $V_{DD\_HV\_ADR} - V_{DD\_HV\_ADV} \in [0:25 \text{ mV}]$	-1	1	
				$V_{DD\_HV\_ADV} < V_{IN} < V_{DD\_HV\_ADR}$ $V_{DD\_HV\_ADR} - V_{DD\_HV\_ADV} \in [25:50 \text{ mV}]$	-1	1	
				$V_{DD\_HV\_ADV} < V_{IN} < V_{DD\_HV\_ADR}$ $V_{DD\_HV\_ADR} - V_{DD\_HV\_ADV} \in [50:75 \text{ mV}]$	-2	2	
				$V_{DD\_HV\_ADV} < V_{IN} < V_{DD\_HV\_ADR}$ $V_{DD\_HV\_ADR} - V_{DD\_HV\_ADV} \in [75:100 \text{ mV}]$	-3	3	
DNL	CC	P	Differential non-linearity $V_{DD\_HV\_ADV} > 4 \text{ V}$ $V_{DD\_HV\_ADR} > 4 \text{ V}$	-1	2	LSB (12b)	
$\Sigma I_{ADR\_S}$	CC	P	ADC pin reference consumption (single pin) <sup>(10)</sup>	—	30	$\mu\text{A}$	

1. Functional operating conditions are given in the DC electrical specifications. Absolute maximum ratings are stress ratings only, and functional operation at the maxima is not guaranteed. Stress beyond the listed maxima may affect device reliability or cause permanent damage to the device.
2. Minimum ADC sample times are dependent on adequate charge transfer from the external driving circuit to the internal sample capacitor. The time constant of the entire circuit must allow the sampling capacitor to charge within 1/2 LSB within the sampling window. Please refer to [Figure 15](#) and [Figure 16](#) for models of the internal ADC circuit, and the values to use in external RC sizing and calculating the sampling window duration.
3.  $I_{ADCSAR\_REFH}$  and  $I_{ADCSAR\_REFL}$  are independent from ADC clock frequency. It depends on conversion rate: consumption is driven by the transfer of charge between internal capacitances during the conversion.
4. Current parameter values are for a single ADC.
5. Total consumption is given by the sum for all ADCs (associated to the reference pin) of their dynamic consumption and their static consumption.
6.  $I_{ADCSAR\_REFH}$  typical consumption 60 % of maximum value.

7. Extra bias current is present only when BIAS is selected.
8. Extended bench validation performed on 3 samples for each process corner.
9. This parameter is guaranteed by bench validation with a small sample of typical devices, and tested in production to ± 6 LSB.
10. Consumption is given after power-up, when steady state is reached. Extra consumption up to 2 mA may be required during internal circuitry set-up.

### 3.13.3 S/D ADC electrical specification

The SDn ADCs are Sigma Delta 16-bit analog-to-digital converters with 333 Ksps maximum output rate.

**Table 34. SDn ADC electrical specification<sup>(1)</sup>**

Symbol	C	Parameter	Conditions	Value			Unit	
				Min	Typ	Max		
V <sub>IN</sub>	SR	P	ADC input signal	—	—	V <sub>DD_HV_A</sub> DV	V	
V <sub>IN_PK2PK</sub> <sup>(2)</sup>	SR	D	Input range peak to peak V <sub>IN_PK2PK</sub> = V <sub>INP</sub> <sup>(3)</sup> - V <sub>INM</sub>	Single ended V <sub>INM</sub> = V <sub>SS_HV_ADR</sub>	V <sub>DD_HV_ADR</sub> /GAIN		V	
		D		Single ended V <sub>INM</sub> = 0.5*V <sub>DD_HV_ADR</sub> GAIN = 1	±0.5*V <sub>DD_HV_ADR</sub>			
		D		Single ended V <sub>INM</sub> = 0.5*V <sub>DD_HV_ADR</sub> GAIN = 2,4,8,16	±V <sub>DD_HV_ADR</sub> /GAIN			
		D		Differential, 0 < V <sub>IN</sub> < V <sub>DD_HV_IO_MAIN</sub>	±V <sub>DD_HV_ADR</sub> /GAIN			
f <sub>ADCD_M</sub>	SR	P	S/D modulator Input Clock	—	4	14.4	16	MHz
BW <sub>IN</sub>	SR	D	Input bandwidth	SNR = 80 dB f <sub>ADCD_S</sub> = 150 kHz	0.01	—	50 <sup>(4)</sup>	KHz
				SNR = 74 dB f <sub>ADCD_S</sub> = 333 kHz	0.01	—	111 <sup>(4)</sup>	
f <sub>ADCD_S</sub>	SR	D	Output conversion rate	T <sub>J</sub> < 150 °C	—	—	333	ksps
—	CC	D	Oversampling ratio	Internal modulator	24	—	256	—
				External modulator	—	—	256	—
RESOLUTION	CC	D	S/D register resolution <sup>(5)</sup>	2's complement notation	16			bit
GAIN	SR	D	ADC gain	Defined via ADC_SD[PGA] register. Only integer powers of 2 are valid gain values.	1	—	16	—



Table 34. SDn ADC electrical specification<sup>(1)</sup>(Continued)

Symbol	C	Parameter	Conditions	Value			Unit		
				Min	Typ	Max			
$\delta_{GAIN}$	CC	C	Absolute value of the ADC gain error <sup>(6),(7)</sup>	Before calibration (applies to gain setting = 1)	—	—	1.5	%	
		D	Absolute value of the ADC gain error <sup>(6),(7)</sup>	After calibration, $\Delta V_{DD\_HV\_ADR} < 5\%$ $\Delta V_{DD\_HV\_ADV} < 10\%$ $\Delta T_J < 50\text{ }^\circ\text{C}$	—	—	5	mV	
				After calibration, $\Delta V_{DD\_HV\_ADR} < 5\%$ $\Delta V_{DD\_HV\_ADV} < 10\%$ $\Delta T_J < 100\text{ }^\circ\text{C}$	—	—	7.5		
				After calibration, $\Delta V_{DD\_HV\_ADR} < 5\%$ $\Delta V_{DD\_HV\_ADV} < 10\%$ $\Delta T_J < 150\text{ }^\circ\text{C}$	—	—	10		
$V_{OFFSET}$	CC	P	Input Referred Offset Error <sup>(6),(7),(8)</sup>	Before calibration (applies to all gain settings – 1, 2, 4, 8, 16)	—	10* (1+1/gain)	20	mV	
		D		Input Referred Offset Error <sup>(6),(7),(8)</sup>	After calibration, $\Delta V_{DD\_HV\_ADR} < 10\%$ $\Delta T_J < 50\text{ }^\circ\text{C}$	—	—		5
					After calibration, $\Delta V_{DD\_HV\_ADV} < 10\%$ $\Delta T_J < 100\text{ }^\circ\text{C}$				7.5
					After calibration, $\Delta V_{DD\_HV\_ADV} < 10\%$ $\Delta T_J < 150\text{ }^\circ\text{C}$	0.5			10

Table 34. SDn ADC electrical specification<sup>(1)</sup>(Continued)

Symbol	C	Parameter	Conditions	Value			Unit
				Min	Typ	Max	
SNR <sub>DIFF150</sub> <sup>(9)</sup>	CC	Signal to noise ratio in differential mode 150 ksps output rate	4.5 < V <sub>DD_HV_ADV</sub> < 5.5 <sup>(10),(11)</sup> V <sub>DD_HV_ADR</sub> = V <sub>DD_HV_ADV</sub> GAIN = 1 T <sub>J</sub> < 150 °C	80	—	—	dBFS
			4.5 < V <sub>DD_HV_ADV</sub> < 5.5 <sup>(10),(11)</sup> V <sub>DD_HV_ADR</sub> = V <sub>DD_HV_ADV</sub> GAIN = 2 T <sub>J</sub> < 150 °C	77	—	—	
			4.5 < V <sub>DD_HV_ADV</sub> < 5.5 <sup>(10),(11)</sup> V <sub>DD_HV_ADR</sub> = V <sub>DD_HV_ADV</sub> GAIN = 4 T <sub>J</sub> < 150 °C	74	—	—	
			4.5 < V <sub>DD_HV_ADV</sub> < 5.5 <sup>(10),(11)</sup> V <sub>DD_HV_ADR</sub> = V <sub>DD_HV_ADV</sub> GAIN = 8 T <sub>J</sub> < 150 °C	71	—	—	
			4.5 < V <sub>DD_HV_ADV</sub> < 5.5 <sup>(10),(11)</sup> V <sub>DD_HV_ADR</sub> = V <sub>DD_HV_ADV</sub> GAIN = 16 T <sub>J</sub> < 150 °C	68	—	—	
SNR <sub>DIFF333</sub> <sup>(12)</sup>	CC	Signal to noise ratio in differential mode 333 ksps output rate	4.5 < V <sub>DD_HV_ADV</sub> < 5.5 <sup>(10),(11)</sup> V <sub>DD_HV_ADR</sub> = V <sub>DD_HV_ADV</sub> GAIN = 1 T <sub>J</sub> < 150 °C	74	—	—	dBFS
			4.5 < V <sub>DD_HV_ADV</sub> < 5.5 <sup>(10),(11)</sup> V <sub>DD_HV_ADR</sub> = V <sub>DD_HV_ADV</sub> GAIN = 2 T <sub>J</sub> < 150 °C	71	—	—	
			4.5 < V <sub>DD_HV_ADV</sub> < 5.5 <sup>(10),(11)</sup> V <sub>DD_HV_ADR</sub> = V <sub>DD_HV_ADV</sub> GAIN = 4 T <sub>J</sub> < 150 °C	68	—	—	
			4.5 < V <sub>DD_HV_ADV</sub> < 5.5 <sup>(10),(11)</sup> V <sub>DD_HV_ADR</sub> = V <sub>DD_HV_ADV</sub> GAIN = 8 T <sub>J</sub> < 150 °C	65	—	—	
			4.5 < V <sub>DD_HV_ADV</sub> < 5.5 <sup>(10),(11)</sup> V <sub>DD_HV_ADR</sub> = V <sub>DD_HV_ADV</sub> GAIN = 16 T <sub>J</sub> < 150 °C	62	—	—	

Table 34. SDn ADC electrical specification<sup>(1)</sup>(Continued)

Symbol	C	Parameter	Conditions	Value			Unit	
				Min	Typ	Max		
SNR <sub>SE150</sub> <sup>(16)</sup>	CC	T	Signal to noise ratio in single ended mode 150 ksps output rate $V_{DD\_HV\_ADR} = V_{DD\_HV\_ADV}$ GAIN = 1 $T_J < 150\text{ }^\circ\text{C}$	$4.5 < V_{DD\_HV\_ADV} < 5.5^{(10),(11)}$	74	—	—	dBFS
				$V_{DD\_HV\_ADR} = V_{DD\_HV\_ADV}$ GAIN = 2 $T_J < 150\text{ }^\circ\text{C}$	71	—	—	
				$4.5 < V_{DD\_HV\_ADV} < 5.5^{(10),(11)}$ $V_{DD\_HV\_ADR} = V_{DD\_HV\_ADV}$ GAIN = 4 $T_J < 150\text{ }^\circ\text{C}$	68	—	—	
				$4.5 < V_{DD\_HV\_ADV} < 5.5^{(10),(11)}$ $V_{DD\_HV\_ADR} = V_{DD\_HV\_ADV}$ GAIN = 8 $T_J < 150\text{ }^\circ\text{C}$	65	—	—	
				$4.5 < V_{DD\_HV\_ADV} < 5.5^{(10),(11)}$ $V_{DD\_HV\_ADR} = V_{DD\_HV\_ADV}$ GAIN = 16 $T_J < 150\text{ }^\circ\text{C}$	62	—	—	
SFDR	CC	P	Spurious free dynamic range	GAIN = 1	60	—	—	dBc
				GAIN = 2	60	—	—	
				GAIN = 4	60	—	—	
				GAIN = 8	60	—	—	
				GAIN = 16	60	—	—	
Z <sub>IN</sub>	CC	D	Input impedance <sup>(13)</sup>	GAIN = 1, f <sub>ADCD_M</sub> = 16 MHz	1.2	1.6	1.9	MΩ
				GAIN = 16, f <sub>ADCD_M</sub> = 16 MHz	0.1	—	—	
Z <sub>DIFF</sub> <sup>(14)</sup>	CC	D	Differential Input impedance	GAIN = 1	1000	1250	1500	kΩ
				GAIN = 2	600	800	1000	
				GAIN = 4	300	400	500	
				GAIN = 8	200	250	300	
				GAIN = 16	200	250	300	
Z <sub>CM</sub> <sup>(15)</sup>	CC	D	Common Mode Input impedance	GAIN = 1	1400	1800	2200	kΩ
				GAIN = 2	1000	1300	1600	
				GAIN = 4	700	950	1150	
				GAIN = 8	500	650	800	
				GAIN = 16	500	650	800	

Table 34. SDn ADC electrical specification<sup>(1)</sup>(Continued)

Symbol	C	D	Parameter	Conditions	Value			Unit
					Min	Typ	Max	
R <sub>BIAS</sub>	CC	D	bias resistance	—	110	144	180	kΩ
ΔV <sub>INTCM</sub>	CC	D	Common mode input reference voltage	—	-12		12	%
V <sub>BIAS</sub>	CC	D	Bias voltage	—	—	V <sub>DD_HV_ADR/2</sub>	—	V
δV <sub>BIAS</sub>	CC	D	Bias voltage accuracy	—	-2.5	—	+2.5	%
CMRR	SR	D	Common mode rejection ratio	—	54	—	—	dB
R <sub>Caaf</sub>	SR	D	Anti-aliasing filter	External series resistance	—	—	20	kΩ
	CC	D		Filter capacitances	180	—	—	pF
f <sub>PASSBAND</sub>	CC	D	Pass band <sup>(16)</sup>	—	0.01	—	0.333 * f <sub>ADCD_S</sub>	KHz
δ <sub>RIPPLE</sub>	CC	D	Pass band ripple <sup>(17)</sup>	0.333 * f <sub>ADCD_S</sub>	-1	—	1	%
F <sub>rolloff</sub>	CC	D	Stop band attenuation	[0.5 * f <sub>ADCD_S</sub> , 1.0 * f <sub>ADCD_S</sub> ]	40	—	—	dB
				[1.0 * f <sub>ADCD_S</sub> , 1.5 * f <sub>ADCD_S</sub> ]	45	—	—	
				[1.5 * f <sub>ADCD_S</sub> , 2.0 * f <sub>ADCD_S</sub> ]	50	—	—	
				[2.0 * f <sub>ADCD_S</sub> , 2.5 * f <sub>ADCD_S</sub> ]	55	—	—	
				[2.5 * f <sub>ADCD_S</sub> , f <sub>ADCD_M/2</sub> ]	60	—	—	

Table 34. SDn ADC electrical specification<sup>(1)</sup>(Continued)

Symbol	C	Parameter	Conditions	Value			Unit	
				Min	Typ	Max		
$\delta_{GROUP}$	CC	D	Group delay	Within pass band – Tclk is $f_{ADCD\_M} / 2$	—	—	—	Tclk
				OSR = 24	—	—	238.5	
				OSR = 28	—	—	278	
				OSR = 32	—	—	317.5	
				OSR = 36	—	—	357	
				OSR = 40	—	—	396.5	
				OSR = 44	—	—	436	
				OSR = 48	—	—	475.5	
				OSR = 56	—	—	554.5	
				OSR = 64	—	—	633.5	
				OSR = 72	—	—	712.5	
				OSR = 75	—	—	699	
				OSR = 80	—	—	791.5	
				OSR = 88	—	—	870.5	
				OSR = 96	—	—	949.5	
				OSR = 112	—	—	1107.5	
				OSR = 128	—	—	1265.5	
				OSR = 144	—	—	1423.5	
				OSR = 160	—	—	1581.5	
				OSR = 176	—	—	1739.5	
OSR = 192	—	—	1897.5					
OSR = 224	—	—	2213.5					
OSR = 256	—	—	2529.5					
			Distortion within pass band	-0.5/ $f_{ADC}$ D_S	—	+0.5/ $f_{ADCD\_S}$	—	
$f_{HIGH}$	CC	D	High pass filter 3dB frequency	Enabled	—	$10e-5 * f_{ADCD\_S}$	—	
$t_{STARTUP}$	CC	D	Start-up time from power down state	—	—	100	$\mu s$	
$t_{LATENCY}$	CC	D	Latency between input data and converted data when input mux does not change <sup>(18)</sup>	HPF = ON	—	—	$\delta_{GROUP} + f_{ADCD\_S}$	—
				HPF = OFF	—	—	$\delta_{GROUP}$	—

Table 34. SDn ADC electrical specification<sup>(1)</sup>(Continued)

Symbol	C	Parameter	Conditions	Value			Unit	
				Min	Typ	Max		
t <sub>SETTLING</sub>	CC	D	Settling time after mux change <sup>(19)</sup>	Analog inputs are muxed HPF = ON	—	—	2*δ <sub>GROUP</sub> + 3*f <sub>ADCD_S</sub>	—
				HPF = OFF	—	—	2*δ <sub>GROUP</sub> + 2*f <sub>ADCD_S</sub>	—
t <sub>ODRECOVERY</sub>	CC	D	Overdrive recovery time	After input comes within range from saturation HPF = ON	—	—	2*δ <sub>GROUP</sub> + f <sub>ADCD_S</sub>	—
				HPF = OFF	—	—	2*δ <sub>GROUP</sub>	—
C <sub>S_D</sub>	CC	D	S/D ADC sampling capacitance after sampling switch <sup>(19)</sup>	GAIN = 1, 2, 4, 8	—	—	75*GAIN	fF
		D		GAIN = 16	—	—	600	fF
IBIAS	CC	D	Bias consumption	At least 1 AD CD enabled	—	—	3.5	mA
I <sub>ADV_D</sub>	CC	T	V <sub>DD_HV_ADV</sub> power supply current (each ADC)	AD CD enabled	—	—	3.5	mA
		P		Sum of all ADCs + BIAS	—	—	10.5	
ΣI <sub>ADR_D</sub>	CC	P	Sum of all ADC reference consumption <sup>(20)</sup>	AD CD enabled	—	—	30	µA
I <sub>ADCS/D_REFH</sub>	CC	T	S/D ADC Reference High Current	Dynamic consumption (Conversion)	—	—	3.5	µA
		T		Static consumption (Power-down mode and bias)	—	—	+10	

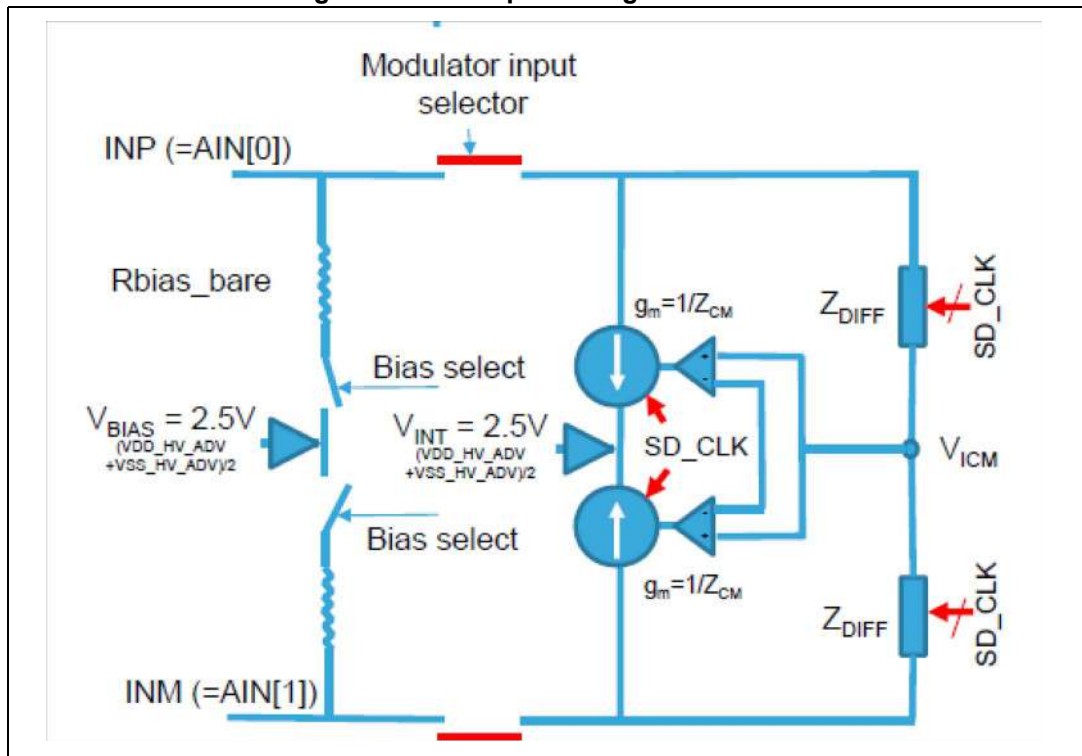
- Functional operating conditions are given in the DC electrical specifications. Absolute maximum ratings are stress ratings only, and functional operation at the maxima is not guaranteed. Stress beyond the listed maxima may affect device reliability or cause permanent damage to the device.
- For input voltage above the maximum and below the clamp voltage of the input pad, there is no latch-up concern, and the signal will only be 'clipped'.
- V<sub>INP</sub> is the input voltage applied to the positive terminal of the SDADC.
- Maximum input of 166.67 kHz supported with reduced accuracy. See SNR specifications.
- When using a GAIN setting of 16, the conversion result will always have a value of zero in the least significant bit. This gives an effective resolution of 15 bits.
- Offset and gain error due to temperature drift can occur in either direction (+/-) for each of the SDADCs on the device.
- Calibration of gain is possible when gain = 1.  
Offset Calibration should be done with respect to 0.5\*V<sub>DD\_HV\_ADR</sub> for differential mode and single ended mode with negative input=0.5\*V<sub>DD\_HV\_ADR</sub>.  
Offset Calibration should be done with respect to 0 for "single ended mode with negative input=0".  
Both offset and Gain Calibration is guaranteed for ±5% variation of V<sub>DD\_HV\_ADR</sub>, ±10% variation of V<sub>DD\_HV\_ADV</sub>, and ± 50 °C temperature variation.
- Conversion offset error must be divided by the applied gain factor (1, 2, 4, 8, or 16) to obtain the actual input referred offset error.
- This parameter is guaranteed by bench validation with a small sample of devices across process variations, and tested in production to a value of 3 dB less.
- S/D ADC is functional in the range 3.6 V – 4.5 V, SNR parameter degrades by 3 dB. Degraded SNR value based on simulation.

11. S/D ADC is functional in the range 3.0 – 4.5 V, SNR parameter degrades by 9 dB. Degraded SNR value based on simulation.
12. This parameter is guaranteed by bench validation with a small sample of devices across process variations.
13. Input impedance is valid over the full input frequency range. Input impedance is calculated in megaohms by the formula  $25.6 / (\text{Gain} * f_{\text{ADCD\_M}})$ .
14. Impedance given at  $F_{\text{ADCD\_M}} = 16\text{MHz}$ . Impedance is inversely proportional to frequency:  $Z_{\text{DIFF}}(F_{\text{ADCD\_M}}) = 16\text{MHz} / F_{\text{ADCD\_M}} * Z_{\text{DIFF}}$
15. Impedance given at  $F_{\text{ADCD\_M}} = 16\text{MHz}$ . Impedance is inversely proportional to frequency:  $Z_{\text{CM}}(F_{\text{ADCD\_M}}) = 16\text{MHz} / F_{\text{ADCD\_M}} * Z_{\text{CM}}$
16. SNR values guaranteed only if external noise on the ADC input pin is attenuated by the required SNR value in the frequency range of  $f_{\text{ADCD\_M}} - f_{\text{ADCD\_S}}$  to  $f_{\text{ADCD\_M}} + f_{\text{ADCD\_S}}$ , where  $f_{\text{ADCD\_M}}$  is the input sampling frequency, and  $f_{\text{ADCD\_S}}$  is the output sample frequency. A proper external input filter should be used to remove any interfering signals in this frequency range.
17. The  $\pm 1\%$  passband ripple specification is equivalent to  $20 * \log_{10}(0.99) = 0.087 \text{ dB}$ .
18. Propagation of the information from the pin to the register CDR[CDATA] and flags SFR[DFFEF], SFR[DFFF] is given by the different modules that need to be crossed: delta/sigma filters, high pass filter, fifo module, clock domain synchronizers. The time elapsed between data availability at pin and internal S/D module registers is given by the below formula:  

$$\text{REGISTER LATENCY} = t_{\text{LATENCY}} + 0.5/f_{\text{ADCD\_S}} + 2(\sim+1)/f_{\text{ADCD\_M}} + 2(\sim+1)f_{\text{PBRIDGEx\_CLK}}$$

where  $f_{\text{ADCD\_S}}$  is the frequency of the sampling clock,  $f_{\text{ADCD\_M}}$  is the frequency of the modulator, and  $f_{\text{PBRIDGEx\_CLK}}$  is the frequency of the peripheral bridge clock feeds to the ADC S/D module. The ( $\sim+1$ ) symbol refers to the number of clock cycles uncertainty (from 0 to 1 clock cycle) to be added due to resynchronization of the signal during clock domain crossing.  
 Some further latency may be added by the target module (core, DMA, interrupt) controller to process the data received from the ADC S/D module.
19. This capacitance does not include pin capacitance, that can be considered together with external capacitance, before sampling switch.
20. Consumption is given after power-up, when steady state is reached. Extra consumption up to 2 mA may be required during internal circuitry set-up.

Figure 17. S/D impedance generic model



Equation 1 
$$I_{INP} = (V_{INP} - V_{INM})/2 \cdot Z_{DIFF} + (V_{ICM} - V_{INT})/Z_{CM}$$

$$= (V_{INP} - V_{ICM})/Z_{DIFF} + (V_{ICM} - V_{INT})/Z_{CM}$$

Equation 2 
$$I_{INP} = (V_{INM} - V_{INP})/2 \cdot Z_{DIFF} + (V_{ICM} - V_{INT})/Z_{CM}$$

$$= (V_{INM} - V_{ICM})/Z_{DIFF} + (V_{ICM} - V_{INT})/Z_{CM}$$

### 3.14 Temperature sensor

The following table describes the temperature sensor electrical characteristics.

**Table 35. Temperature sensor electrical characteristics**

Symbol	C	Parameter	Conditions	Value			Unit
				Min	Typ	Max	
—	CC		Temperature monitoring range	—	—	150	°C
T <sub>SENS</sub>	CC	T	Sensitivity	—	5.18	—	mV/°C
T <sub>ACC</sub>	CC	C	Accuracy	T <sub>J</sub> < 150 °C	–3	3	°C
I <sub>TEMP_SENS</sub>	CC	C	V <sub>DD_HV_ADV</sub> power supply current	—	—	700	µA

### 3.15 LVDS Fast Asynchronous Serial Transmission (LFAST) pad electrical characteristics

The LFAST pad electrical characteristics apply to both the SIPI and high-speed debug serial interfaces on the device. The same LVDS pad is used for the Microsecond Channel (MSC) and DSPI LVDS interfaces, with different characteristics given in the following tables.



3.15.1 LFAST interface timing diagrams

Figure 18. LFAST and MSC/DSPi LVDS timing definition

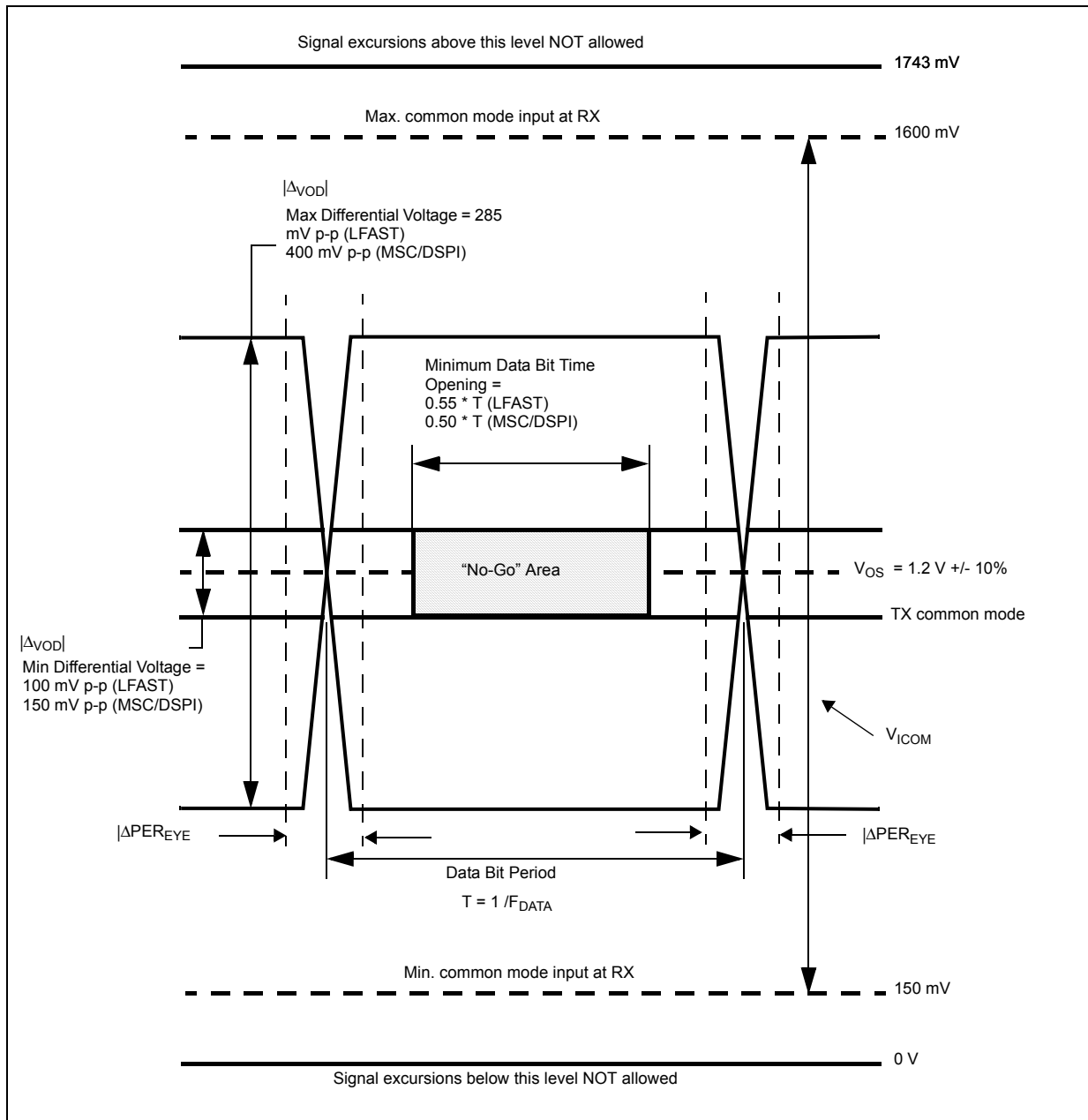


Figure 19. Power-down exit time

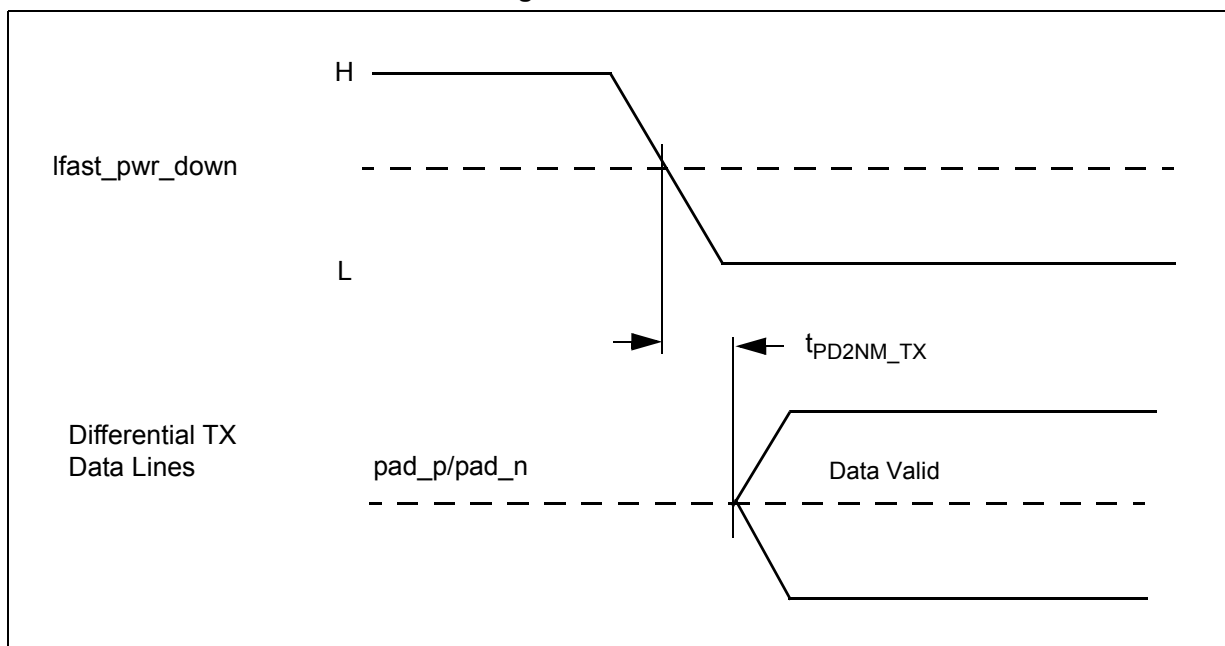
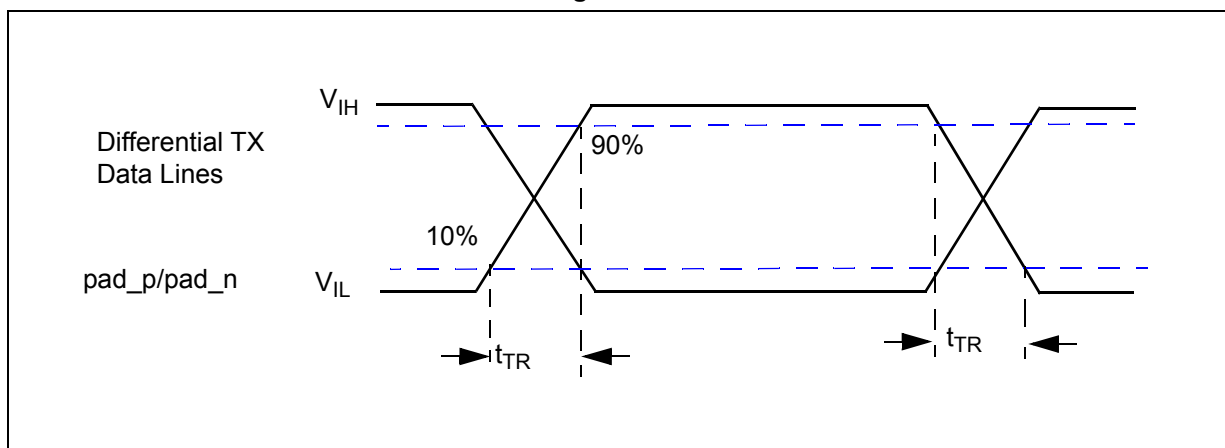


Figure 20. Rise/fall time



### 3.15.2 LFAST and MSC/DSPI LVDS interface electrical characteristics

The following table contains the electrical characteristics for the LFAST interface.

Table 36. LVDS pad startup and receiver electrical characteristics<sup>(1)(2)</sup>

Symbol	C	T	Parameter	Conditions	Value			Unit
					Min	Typ	Max	
<b>STARTUP<sup>(3), (4)</sup></b>								
t <sub>STRT_BIAS</sub>	CC	T	Bias current reference startup time <sup>(5)</sup>	—	—	0.5	4	μs
t <sub>PD2NM_TX</sub>	CC	T	Transmitter startup time (power down to normal mode) <sup>(6)</sup>	—	—	0.4	2.75	μs

Table 36. LVDS pad startup and receiver electrical characteristics<sup>(1)(2)</sup>(Continued)

Symbol	C	Parameter	Conditions	Value			Unit	
				Min	Typ	Max		
$t_{SM2NM\_TX}$	CC	T	Transmitter startup time (sleep mode to normal mode) <sup>(7)</sup>	Not applicable to the MSC/DSPI LVDS pad	—	0.2	0.5	$\mu$ s
$t_{PD2NM\_RX}$	CC	T	Receiver startup time (power down to normal mode) <sup>(8)</sup>	—	—	20	40	ns
$t_{PD2SM\_RX}$	CC	T	Receiver startup time (power down to sleep mode) <sup>(9)</sup>	Not applicable to the MSC/DSPI LVDS pad	—	20	50	ns
$I_{LVDS\_BIAS}$	CC	C	LVDS bias current consumption	Tx or Rx enabled	—	—	0.95	mA
<b>TRANSMISSION LINE CHARACTERISTICS (PCB Track)</b>								
$Z_0$	SR	D	Transmission line characteristic impedance	—	47.5	50	52.5	$\Omega$
$Z_{DIFF}$	SR	D	Transmission line differential impedance	—	95	100	105	$\Omega$
<b>RECEIVER</b>								
$V_{ICOM}$	SR	T	Common mode voltage	—	0.15 <sup>(10)</sup>	—	1.6 <sup>(11)</sup>	V
$ \Delta V_I $	SR	T	Differential input voltage <sup>(12)</sup>	—	100	—	—	mV
$R_{IN}$	CC	D	Terminating resistance	$V_{DD\_HV\_IO} = 5.0\text{ V} \pm 10\%$	80	125	150	$\Omega$
		D		$V_{DD\_HV\_IO} = 3.3\text{ V} \pm 10\%$	80	115	150	$\Omega$
$C_{IN}$	CC	D	Differential input capacitance <sup>(13)</sup>	—	—	3.5	6.0	pF
$I_{LVDS\_RX}$	CC	C	Receiver DC current consumption	Enabled	—	—	0.5	mA

- The LVDS pad startup and receiver electrical characteristics in this table apply to both the LFAST & High-speed Debug (HSD) LVDS pad, and the MSC/DSPI LVDS pad except where noted in the conditions.
- All LVDS pad electrical characteristics are valid from  $-40\text{ }^\circ\text{C}$  to  $150\text{ }^\circ\text{C}$ .
- All startup times are defined after a 2 peripheral bridge clock delay from writing to the corresponding enable bit in the LVDS control registers (LCR) of the LFAST and High-Speed Debug modules. The value of the LCR bits for the LFAST/HSD modules don't take effect until the corresponding SIUL2 MSCR ODC bits are set to LFAST LVDS mode. Startup times for MSC/DSPI LVDS are defined after 2 peripheral bridge clock delay after selecting MSC/DSPI LVDS in the corresponding SIUL2 MSCR ODC field.
- Startup times are valid for the maximum external loads CL defined in both the LFAST/HSD and MSC/DSPI transmitter electrical characteristic tables.
- Bias startup time is defined as the time taken by the current reference block to reach the settling bias current after being enabled.
- Total transmitter startup time from power down to normal mode is  $t_{STRT\_BIAS} + t_{PD2NM\_TX} + 2$  peripheral bridge clock periods.
- Total transmitter startup time from sleep mode to normal mode is  $t_{SM2NM\_TX} + 2$  peripheral bridge clock periods. Bias block remains enabled in sleep mode.
- Total receiver startup time from power down to normal mode is  $t_{STRT\_BIAS} + t_{PD2NM\_RX} + 2$  peripheral bridge clock periods.
- Total receiver startup time from power down to sleep mode is  $t_{PD2SM\_RX} + 2$  peripheral bridge clock periods. Bias block remains enabled in sleep mode.
- Absolute min =  $0.15\text{ V} - (285\text{ mV}/2) = 0\text{ V}$

- 11. Absolute max = 1.6 V + (285 mV/2) = 1.743 V
- 12. The LXRXP[0] bit in the LFAST LVDS Control Register (LCR) must be set to one to ensure proper LFAST receive timing.
- 13. Total internal capacitance including receiver and termination, co-bonded GPIO pads, and package contributions.

**Table 37. LFAST transmitter electrical characteristics<sup>(1)(2)</sup>**

Symbol		C	Parameter	Conditions	Value			Unit
					Min	Typ	Max	
f <sub>DATA</sub>	SR	D	Data rate	—	—	—	320	Mbps
V <sub>OS</sub>	CC	P	Common mode voltage	—	1.08	—	1.32	V
V <sub>OD</sub>	CC	P	Differential output voltage swing (terminated) <sup>(3)(4)</sup>	—	110	171	285	mV
t <sub>TR</sub>	CC	T	Rise/Fall time (absolute value of the differential output voltage swing) <sup>(3)(4)</sup>	—	0.26	—	1.5	ns
C <sub>L</sub>	SR	D	External lumped differential load capacitance <sup>(3)</sup>	V <sub>DD_HV_IO</sub> = 4.5 V	—	—	12.0	pF
				V <sub>DD_HV_IO</sub> = 3.0 V	—	—	8.5	
I <sub>LVDS_TX</sub>	CC	T	Transmitter DC current consumption	Enabled	—	—	3.2	mA

- 1. The LFAST and High-Speed Debug LFAST pad electrical characteristics are based on worst case internal capacitance values shown in [Figure 21](#).
- 2. All LFAST and High-Speed Debug LVDS pad electrical characteristics are valid from -40 °C to 150 °C.
- 3. Valid for maximum data rate f<sub>DATA</sub>. Value given is the capacitance on each terminal of the differential pair, as shown in [Figure 21](#).
- 4. Valid for maximum external load C<sub>L</sub>.

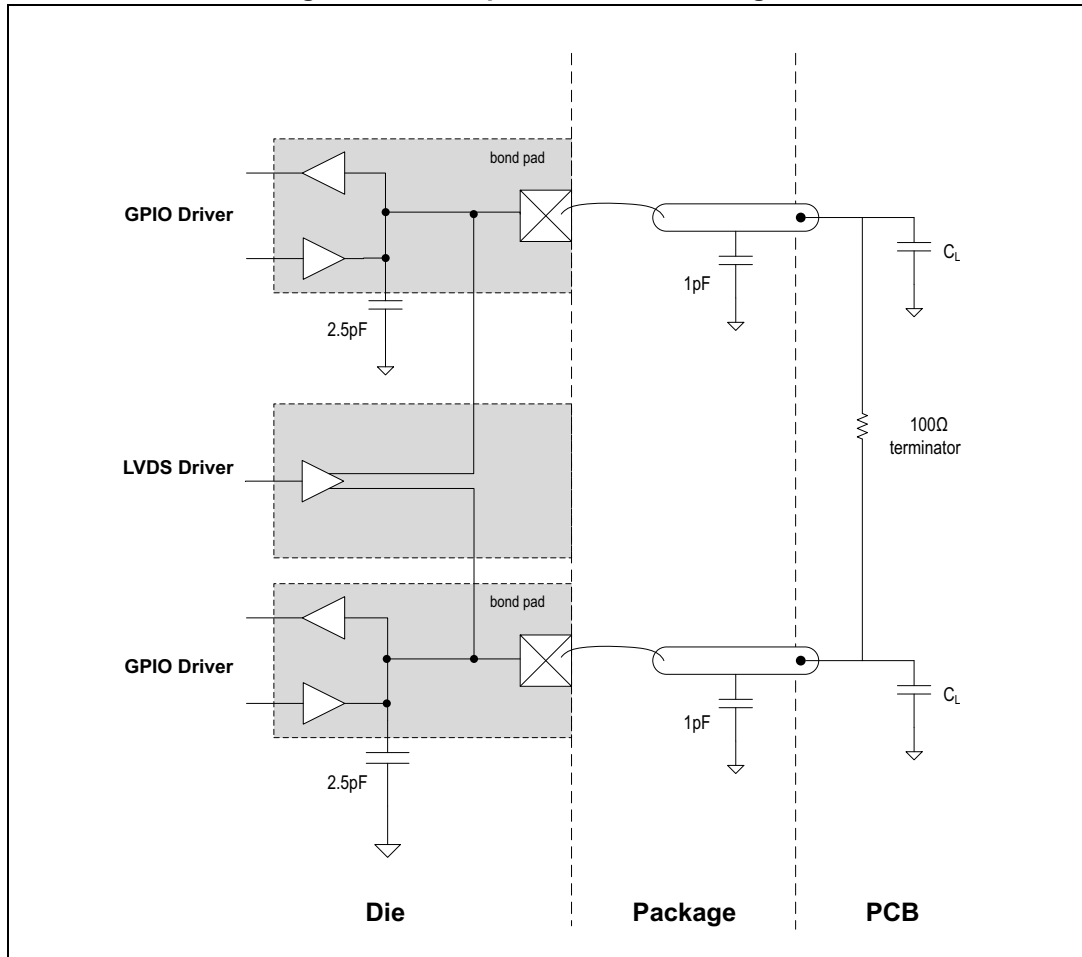
**Table 38. MSC/DSPI LVDS transmitter electrical characteristics<sup>(1)(2)</sup>**

Symbol		C	Parameter	Conditions	Value			Unit
					Min	Typ	Max	
<b>Data Rate</b>								
f <sub>DATA</sub>	SR	D	Data rate	—	—	—	80	Mbps
V <sub>OS</sub>	CC	P	Common mode voltage	—	1.08	—	1.32	V
V <sub>OD</sub>	CC	P	Differential output voltage swing (terminated) <sup>(3)(4)</sup>	—	150	214	400	mV
t <sub>TR</sub>	CC	T	Rise/Fall time (absolute value of the differential output voltage swing) <sup>(3)(4)</sup>	—	0.8	—	4.0	ns
C <sub>L</sub>	SR	D	External lumped differential load capacitance <sup>(3)</sup>	V <sub>DD_HV_IO</sub> = 4.5 V	—	—	50	pF
				V <sub>DD_HV_IO</sub> = 3.0 V	—	—	39	
I <sub>LVDS_TX</sub>	CC	T	Transmitter DC current consumption	Enabled	—	—	4.0	mA

- 1. The MSC and DSPI LVDS pad electrical characteristics are based on the application circuit and typical worst case internal capacitance values given in [Figure 21](#).
- 2. All MSC and DSPI LVDS pad electrical characteristics are valid from -40 °C to 150 °C.

- 3. Valid for maximum data rate  $f_{DATA}$ . Value given is the capacitance on each terminal of the differential pair, as shown in Figure 21.
- 4. Valid for maximum external load  $C_L$ .

Figure 21. LVDS pad external load diagram



### 3.15.3 LFAST PLL electrical characteristics

The following table contains the electrical characteristics for the LFAST PLL.

Table 39. LFAST PLL electrical characteristics<sup>(1)</sup>

Symbol	C	Parameter	Conditions	Value			Unit
				Min	Nominal	Max	
$f_{RF\_REF}$	SR	D	PLL reference clock frequency	10	—	26	MHz
$ERR_{REF}$	CC	D	PLL input reference clock frequency error	-1	—	1	%
$DC_{REF}$	CC	D	PLL input reference clock duty cycle	45	—	55	%

**Table 39. LFAST PLL electrical characteristics<sup>(1)</sup>(Continued)**

Symbol	C	Parameter	Conditions	Value			Unit	
				Min	Nominal	Max		
PN	CC	D	Integrated phase noise (single side band)	$f_{RF\_REF} = 20\text{ MHz}$	—	—	-58	dBc
				$f_{RF\_REF} = 10\text{ MHz}$	—	—	-64	
$f_{VCO}$	CC	D	PLL VCO frequency	—	—	640 <sup>(2)</sup>	—	MHz
$t_{LOCK}$	CC	D	PLL phase lock <sup>(3)</sup>	—	—	—	40	μs
$\Delta PER_{REF}$	SR	T	Input reference clock jitter (peak to peak)	Single period, $f_{RF\_REF} = 10\text{ MHz}$	—	—	300	ps
		T		Long term, $f_{RF\_REF} = 10\text{ MHz}$	-500	—	500	ps
$\Delta PER_{EYE}$	CC	T	Output Eye Jitter (peak to peak) <sup>(4)</sup>	—	—	—	400	ps

1. The specifications in this table apply to both the interprocessor bus and debug LFAST interfaces.
2. The 640 MHz frequency is achieved with a 10 MHz or 20 MHz reference clock. With a 26 MHz reference, the VCO frequency is 624 MHz. PLL lock with 640 MHz VCO frequency guaranteed by production testing.
3. The time from the PLL enable bit register write to the start of phase locks is maximum 2 clock cycles of the peripheral bridge clock that is connected to the PLL on the device.
4. Measured at the transmitter output across a 100 Ohm termination resistor on a device evaluation board. See [Figure 21](#).

### 3.16 Aurora LVDS electrical characteristics

The following table describes the Aurora LVDS electrical characteristics.

*Note:* The Aurora interface is AC coupled, so there is no common-mode voltage specification.

**Table 40. Aurora LVDS electrical characteristics<sup>(1)(2)</sup>**

Symbol	C	Parameter	Conditions	Value			Unit	
				Min	Typ	Max		
<b>Transmitter</b>								
$F_{TX}$	CC	D	Transmit Data Rate	—	—	—	1.25	Gbps
$ \Delta V_{OD\_LVDS} $	CC	P	Differential output voltage swing (terminated) <sup>(3)</sup>	—	400	600	800	mV
$t_{TR\_LVDS}$	CC	T	Rise/Fall time (10%–90% of swing)	—	60	—	—	ps
$R_{V\_L\_Tx}$	SR	D	Differential Terminating resistance	—	81	100	120	W
$T_{Loss}$	CC	D	Transmission Line Loss due to loading effects	—	—	—	6 <sup>(4)</sup>	dB
<b>Transmission line characteristics (PCB track)</b>								
$L_{LINE}$	SR	D	Transmission line length	—	—	—	20	cm
$Z_{LINE}$	SR	D	Transmission line characteristic impedance	—	45	50	55	W
$C_{ac\_clk}$	SR	D	Clock Receive Pin External AC Coupling Capacitance	Values are nominal, valid for +/- 50% tolerance	100	—	270	pF

Table 40. Aurora LVDS electrical characteristics<sup>(1)(2)</sup>(Continued)

Symbol	C		Parameter	Conditions	Value			Unit
					Min	Typ	Max	
$C_{ac\_tx}$	SR	D	Transmit Lane External AC Coupling Capacitance	Values are nominal, valid for +/- 50% tolerance	250	—	2000	pF
<b>Receiver</b>								
$F_{RX}$	CC	D	Receive Clock Rate	$T_J = 150\text{ }^\circ\text{C}$	—	—	1.25	Gbps
$ \Delta V_{I\_L} $	SR	P	Differential input voltage (peak to peak)	—	200	—	1000	mV
$R_{V\_L\_Rx}$	CC	D	Differential Terminating resistance	—	81	100	120	W

1. All Aurora electrical characteristics are valid from  $-40\text{ }^\circ\text{C}$  to  $150\text{ }^\circ\text{C}$ , except where noted.
2. All specifications valid for maximum transmit data rate  $F_{TX}$ .
3. The minimum value of 400 mV is only valid for differential terminating resistance ( $R_{V\_L}$ ) = 99 Ohm to 101 ohm. The differential output voltage swing tracks with the value of  $R_{V\_L}$ .
4. Transmission line loss maximum value is specified for the maximum drive level of the Aurora transmit pad.

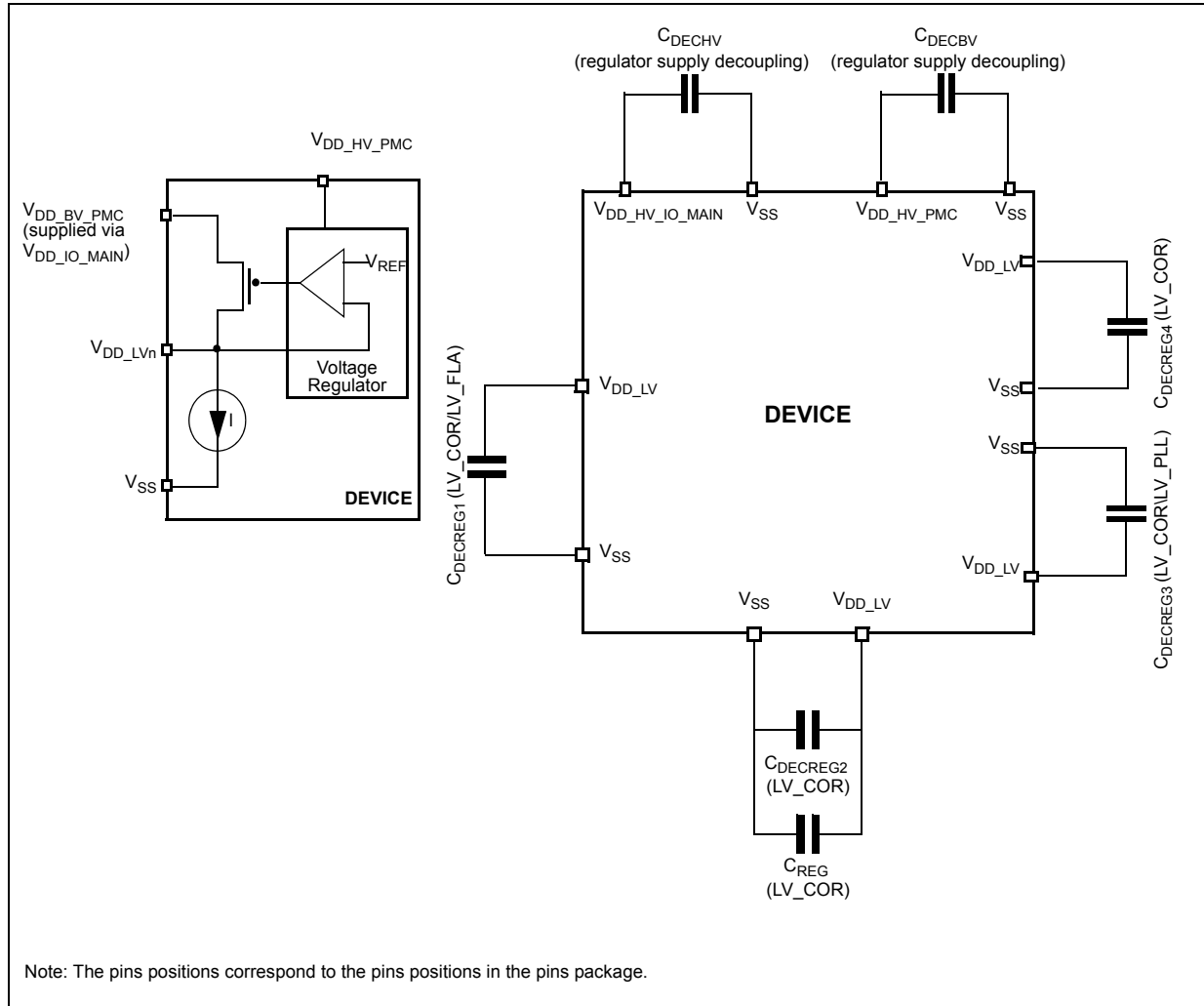
### 3.17 Power management: PMC, POR/LVD, sequencing

The power management module monitors the different power supplies as well as generating the required internal supplies. The power management module is supplied by the  $V_{DD\_HV\_PMC}$  supply, with redundant voltage references and monitors guaranteeing safe operation.

### 3.17.1 Power management integration

Use the integration scheme provided below to ensure proper device function.

Figure 22. Voltage regulator capacitance connection



The internal voltage regulator requires external capacitance ( $C_{REGn}$ ) to be connected to the device to provide a stable low voltage digital supply to the device. Placed capacitances on the board as near as possible to the associated pins and limit the serial inductance of the board to less than 5 nH.

Place a decoupling capacitor between each  $V_{DD\_LV}$  supply pin and  $V_{SS}$  ground plane to ensure stable voltage. Place the capacitor as near as possible to the  $V_{DD\_LV}$  supply pin.

### 3.17.2 Main voltage regulator electrical characteristics

The device implements an internal voltage regulator to generate the low voltage core supply  $V_{DD\_LV}$  from the high voltage ballast supply  $V_{DD\_BV\_PMC}$ , internally connected to  $V_{DD\_HV\_IO\_MAIN}$  supply. The regulator itself is supplied by  $V_{DD\_HV\_PMC}$ . Both high voltage supplies are common with  $V_{DD\_HV\_IO}$ .

Note: Refer to *SPC574Kx\_IO\_Signal\_Table.xls* table for details regarding power connectivity.



The following supplies are involved:

- HV—High voltage external power supply for voltage regulator module. This must be provided externally through  $V_{DD\_HV\_PMC}/V_{DD\_HV\_IO\_MAIN}$  power pin.
- BV—High voltage external power supply for internal ballast module. This must be provided externally through  $V_{DD\_HV\_PMC}/V_{DD\_HV\_IO\_MAIN}$  power pins.
- LV—Low voltage internal power supply for core, PLL and Flash digital logic. This is generated by the internal voltage regulator but provided externally to allow connection to a stability capacitor. It is further split into three main domains to ensure noise isolation between critical LV modules:
  - LV\_COR—Low voltage supply for the core. It is also used to provide supply LV\_PLL through double bonding.
  - LV\_FLA—Low voltage supply for code flash module. It is supplied with dedicated ballast and shorted to LV\_COR through double bonding.
  - LV\_PLL—Low voltage supply for PLL0. It is shorted to LV\_COR through double bonding.

**Table 41. Device Power Supply Integration**

Symbol	C	Parameter	Conditions <sup>(1)</sup>	Value <sup>(2)</sup>			Unit	
				Min	Typ	Max		
$C_{REG}$	SR	D	Internal voltage regulator stability external capacitance	—	1.3	2 <sup>(3)</sup>	—	μF
$R_{REG}$	SR	D	Stability capacitor equivalent serial resistance	Total resistance including board track	—	—	50	mΩ
$C_{DECREGn}$	SR	D	Internal voltage regulator decoupling external capacitance	$V_{DD\_LV}/V_{SS}$ pair	30	100	—	nF
$R_{DECREGn}$	SR	D	Stability capacitor equivalent serial resistance	—	—	—	50	mΩ
$C_{DECBV}$	SR	D	Relay capacitance for ballast power-up	—	3	4 <sup>(3)</sup>	—	μF
$C_{DECHV}$	SR	D	Decoupling capacitance regulator supply	$V_{DD\_HV\_IO\_MAIN}/V_{SS}$ pair	30	100	—	nF
$V_{MREG}$	CC	P	Main regulator output voltage	Before trimming	1.14	1.28	1.4 <sup>(4)</sup>	V
				After trimming	1.14	1.28	1.32	
$IDDMREG$	SR	P	Main regulator current provided to $V_{DD\_LV}$ domain	—	—	—	350	mA
$IDDClamp$	CC	D	Main regulator rush current sinked from $V_{DD\_HV\_IO\_MAIN}$ domain during $V_{DD\_LV}$ external capacitance loading	Power-up condition	200	—	1500	mA
$\Delta IDDMREG$	SR	T	Main regulator current variation	20 μs observation window	–60	—	60	mA
$I_{MREGINT}$	CC	D	Main regulator current consumption	$I_{MREG} = 300$ mA	—	—	3.5	mA
				$I_{MREG} = 0$ mA	—	—	2.2	

Table 41. Device Power Supply Integration(Continued)

Symbol	C	Parameter	Conditions <sup>(1)</sup>	Value <sup>(2)</sup>			Unit	
				Min	Typ	Max		
C <sub>DECFLA</sub>	SR	D	Decoupling capacitance for flash supply	V <sub>DD_HV_FLA</sub> /V <sub>SS</sub> pair	100	220	—	nF
C <sub>HV_ADC</sub>	SR	D	V <sub>DD_HV_ADV</sub> external capacitance <sup>(5)</sup>		1	2.2	—	μF

1. V<sub>DD</sub> = 3.3 V ± 10% / 5.0 V ± 10%, T<sub>A</sub> = -40 / 125 °C, unless otherwise specified.
2. All values need to be confirmed during device validation.
3. Recommended X7R or X5R ceramic -35 % / +20 % variation across process, temperature, voltage and after aging.
4. At power-up condition before trimming.
5. For noise filtering, add a high frequency bypass capacitance of 0.1 μF between V<sub>DD\_HV\_ADV</sub> and V<sub>SS\_HV\_ADV</sub>.

### 3.17.3 Device voltage monitoring

The LVD/HVDs and their associated levels for the device are given in the following table. The figure below illustrates the workings of voltage monitoring threshold.

Figure 23. Voltage monitor threshold definition

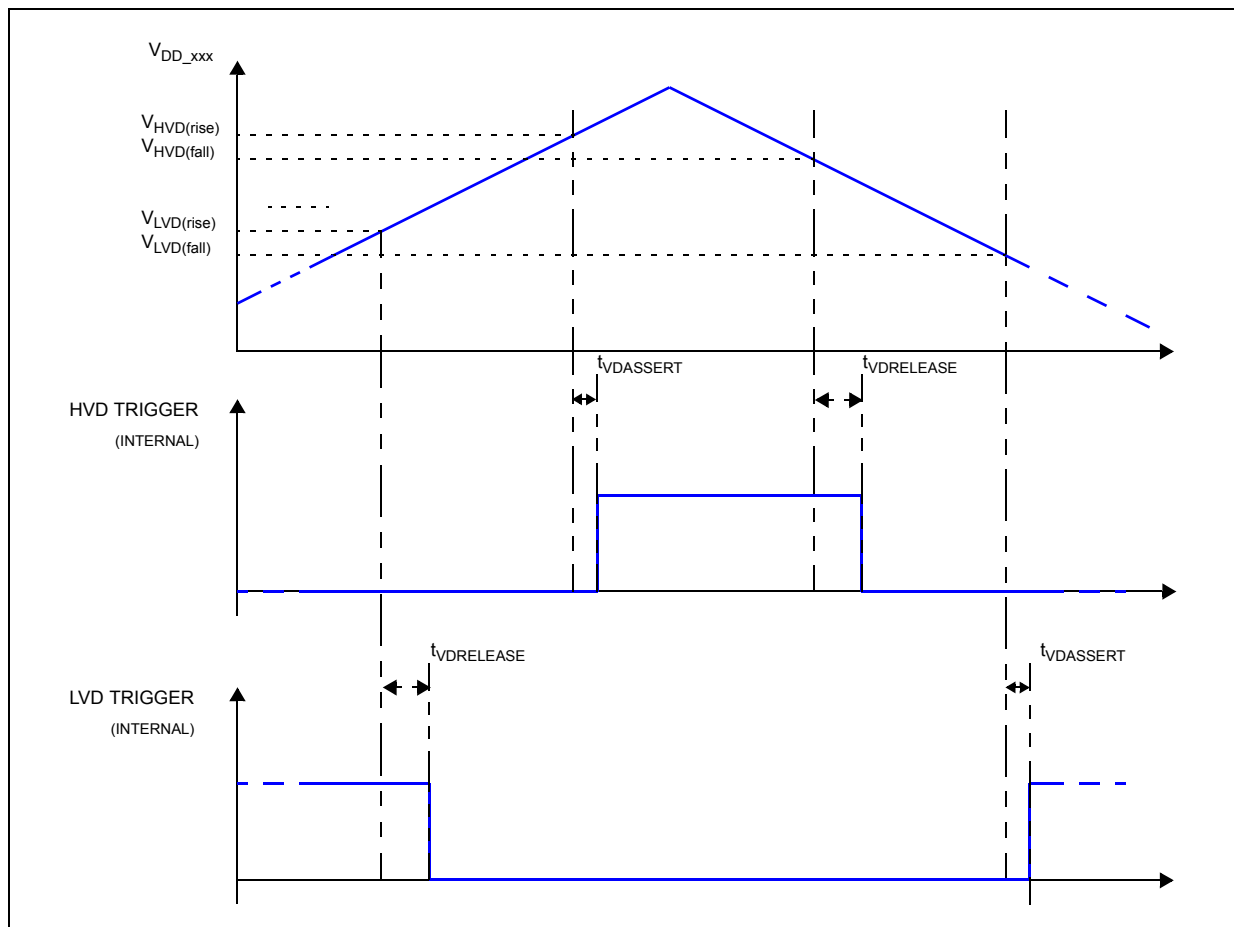


Table 42. Voltage monitor electrical characteristics<sup>(1)</sup>

Symbol	C	Parameter	Conditions	Value			Unit
				Min	Typ	Max	
V <sub>PORUP_LV</sub> <sup>(2)</sup>	CC	D LV supply power on reset threshold[	Rising voltage (power up)	1040	—	1180	mV
			Falling voltage (power down) <sup>(3)</sup>	960	—	1100	
			Hysteresis on power-up	50	—	—	
V <sub>LVD096</sub>	CC	P LV internal <sup>(4)</sup> supply low voltage monitoring	See note <sup>(5)</sup>	960	—	1100	mV
V <sub>LVD108</sub>	CC	P Core LV internal <sup>(4)</sup> supply low voltage monitoring	See note <sup>(6)</sup>	1080	—	1170	mV
V <sub>LVD112</sub>	CC	P LV external <sup>(7)</sup> supply low voltage monitoring	See note <sup>(5)</sup>	1110	—	1180	mV
V <sub>HVD140</sub>	CC	P LV external <sup>(7)</sup> supply high voltage monitoring	See note <sup>(8)</sup>	1320	—	1420	mV
V <sub>HVD145</sub>	CC	P LV external <sup>(7)</sup> supply high voltage monitoring	See note <sup>(8)</sup>	1390	—	1480	mV
V <sub>PORUP_HV</sub> <sup>(2)</sup>	CC	P HV supply power on reset threshold <sup>(9)</sup>	Rising voltage (power up) on PMC/IO Main supply	2850	—	3210	mV
			Rising voltage (power up) on IO JTAG and Osc supply	2680	—	2980	
			Rising voltage (power up) on ADC supply	2870	—	3182	
			Falling voltage (power down) <sup>(10)</sup>	2710	—	3000	
			Hysteresis on power up <sup>(11)</sup>	150	—	—	
V <sub>POR240</sub>	CC	P HV supply power-on reset voltage monitoring	Rising voltage	2420	—	2780	mV
			Falling voltage	2400	—	2760	
V <sub>LVD270</sub>	CC	P HV supply low voltage monitoring	Rising voltage	2750	—	3000	mV
			Falling voltage	2700	—	2950	
V <sub>LVD295</sub>	CC	P ADC supply low voltage monitoring	Rising voltage	—	—	3120	mV
			Falling voltage	2920	—	3100	
V <sub>LVD400</sub>	CC	P HV supply low voltage monitoring	Rising voltage	4110	—	4410	mV
			Falling voltage	3970	—	4270	
V <sub>HVD600</sub>	CC	P HV supply high voltage monitoring	Rising voltage	5560	—	5960	mV
			Falling voltage	5500	—	5900	

**Table 42. Voltage monitor electrical characteristics<sup>(1)</sup>(Continued)**

Symbol	C	Parameter	Conditions	Value			Unit	
				Min	Typ	Max		
t <sub>VDASSERT</sub>	CC	D	Voltage detector threshold crossing assertion	—	0.1	—	2	μs
t <sub>VDRELEASE</sub>	CC	D	Voltage detector threshold crossing de-assertion	—	5	—	20	μs

- For V<sub>DD\_LV</sub> levels, a maximum of 30 mV IR drop is incurred from the pin to all sinks on the die. For other LVD, the IR drop is estimated by multiplying the supply current by 0.5 Ω.
- V<sub>PORUP\_LV</sub> and V<sub>PORUP\_HV</sub> threshold are untrimmed values before completion of the power-up sequence. All other LVD/HVD thresholds are provided after trimming.
- Assume all of LVDs on LV supplies disabled.
- LV internal supply levels are measured on device internal supply grid after internal voltage drop.
- LVD is released after t<sub>VDRELEASE</sub> temporization when *upper* threshold is crossed, LVD is asserted t<sub>VDASSERT</sub> after detection when *lower* threshold is crossed.
- This is combination of LVD108\_C, P, and F. Min is from min value of LVD108\_F, and P which is the lowest one. Max is the max value of LVD108\_C which is the highest one of three.
- LV external supply levels are measured on the die side of the package bond wire after package voltage drop.
- HVD is released after t<sub>VDRELEASE</sub> temporization when *lower* threshold is crossed, HVD is asserted t<sub>VDASSERT</sub> after detection when *upper* threshold is crossed. HVD140 does not cause reset.
- This supply also needs to be below 5472 mV (untrimmed HVD600 min).
- Untrimmed LVD300\_A will be asserted first on power down.
- Hysteresis is implemented only between the VDD\_HV\_IO\_MAIN High voltage Supplies and the ADC high voltage supply. When these two supplies are shorted together, the hysteresis is as is shown in [Table 42](#). If the supplies are not shorted (VDD\_IO\_MAIN and ADC high voltage supply), then there will be no hysteresis on the high voltage supplies.

### 3.17.4 Power up/down sequencing

The following table shows the constraints and relationships for the different power supplies.

**Table 43. Device supply relation during power-up/power-down sequence**

		Supply 2 <sup>(1)</sup>					
		V <sub>DD_LV</sub>	V <sub>DD_HV_IO_JTAG</sub> / V <sub>DD_HV_IO_FLEX</sub>	V <sub>DD_HV_IO</sub>	V <sub>DD_HV_ADV</sub>	V <sub>DD_HV_ADR</sub>	ALTREFn <sup>(2)</sup>
Supply 1 <sup>(1)</sup>	V <sub>DD_LV</sub>						
	V <sub>DD_HV_IO_JTAG</sub> / V <sub>DD_HV_IO_FLEX</sub>						
	V <sub>DD_HV_IO</sub>						
	V <sub>DD_HV_ADV</sub>						
	V <sub>DD_HV_ADR</sub>				5 mA		
	ALTREFn			10 mA <sup>(3)</sup>	10 mA <sup>(3)</sup>		

- Red cells: Supply 1 (row) can exceed Supply 2 (column), granted that external circuitry ensures current flowing from supply1 is less than absolute maximum rating current value provided.
- ALTREFn are the alternate references for the ADC that can be used in place of the default reference (V<sub>DD\_HV\_ADR\_\*</sub>). They are SARB.ALTREF and SAR2.ALTREF.

- ADC performance is not guaranteed when ALTREFn, and  $V_{DD\_HV\_ADR}$  supplies are above  $V_{DD\_HV\_IO}/V_{DD\_HV\_ADV}$ .

During power-up, all functional terminals are maintained in a known state as described in the following table.

**Table 44. Functional terminals state during power-up and reset**

TERMINAL type <sup>(1)</sup>	POWER-UP <sup>(2)</sup> pad state	RESET pad state	DEFAULT <sup>(3)</sup> pad state	Comments
PORST	Strong pull-down <sup>(4)</sup>	Weak pull-down	Weak pull-down	Power-on reset pad
ESR0 <sup>(5)</sup>	Strong pull-down	Strong pull-down	Weak pull-up	Functional reset pad
ESR1	Weak pull-up	Weak pull-up	Weak pull-up	—
TEST_MODE	Weak pull-down	Weak pull-down <sup>(6)</sup>	Weak pull-down <sup>(6)</sup>	—
GPIO	Weak pull-up <sup>(4)</sup>	Weak pull-up	Weak pull-up	—
ANALOG	High impedance	High impedance	High impedance	—
ERROR[0]	High impedance	High impedance	High impedance	During functional reset, pad state can be overridden by FCCU
TRST	High impedance	Weak pull-down	Weak pull-down	—
TCK	High impedance	Weak pull-down	Weak pull-down	—
TMS	Weak pull-up	Weak pull-up	Weak pull-up	—
TDI	Weak pull-up	Weak pull-up	Weak pull-up	—
TDO	High impedance	High impedance	High impedance	—

- Refer to pinout information for terminal type.
- POWER-UP state is guaranteed from  $V_{DD\_HV\_IO} > V_{DD\_POR}$  and maintained until supply crosses the power-on reset thresholds  $V_{PORUP\_LV}$  for LV supply and  $V_{PORUP\_HV}$  for high voltage supply.
- Before software configuration.
- Pull-down and pull-up strengths are provided in [Table 19 \(I/O pull-up/pull-down DC electrical characteristics\)](#)
- Unlike ESR0, ESR1 is provided as a normal GPIO and implements weak pull-up during power-up.
- An internal pull-down is implemented on the TESTMODE pin to prevent the device from entering test mode if the package TESTMODE pin is not connected. It is recommended to connect the TESTMODE pin to  $V_{SS\_HV\_IO}$  on the board for maximum robustness, but not required. The value of TESTMODE is latched at the negation of reset and has no affect afterward. The device will not exit functional reset with the TESTMODE pin asserted during power-up. The TESTMODE pin can be connected externally directly to ground without any other components.

### 3.18 Flash memory electrical characteristics

[Table 45](#) shows the estimated Program/Erase characteristics.

Table 45. Flash memory program and erase specifications <sup>(1)</sup>

Symbol	Characteristics <sup>(2)</sup>	Value									Unit
		Typ <sup>(3)</sup>	C	Initial max			Typical end of life <sup>(4)</sup>	Lifetime max <sup>(5)</sup>		C	
				25 °C <sup>(6)</sup>	All temp <sup>(7)</sup>	C		< 1 k cycles	≤ 250 K cycles		
t <sub>dwprogram</sub>	Double Word (64 bits) program time [Packaged part]	34	C	100	—	—	55	500		C	µs
t <sub>pprogram</sub>	Page (256 bits) program time	60	C	200	—	—	108	1000		C	µs
t <sub>pprogrammeep</sub>	Page (256 bits) program time EEPROM (partition 2) [Packaged part]	69	C	220	—	—	124	1000		C	µs
t <sub>qprogram</sub>	Quad Page (1024 bits) program time	204	C	1040	1200	P	850	2000		C	µs
t <sub>qprogrammeep</sub>	Quad Page (1024 bits) program time EEPROM (partition 2) [Packaged part]	234	C	1140	1320	P	978	2000		C	µs
t <sub>16kperase</sub>	16 KB block pre-program and erase time	150	C	1000	1000	P	330	5000	—	C	ms
t <sub>32kperase</sub>	32 KB block pre-program and erase time	200	C	1000	1000	P	440	5000	—	C	ms
t <sub>64kperase</sub>	64 KB block pre-program and erase time	300	C	1000	1000	P	660	5000	—	C	ms
t <sub>256kperase</sub>	256 KB block pre-program and erase time	900	C	2000	3000	P	1100	15000	—	C	ms
t <sub>16kprogram</sub>	16 KB block program time	27	C	45	50	P	40	1000	—	C	ms
t <sub>32kprogram</sub>	32 KB block program time	54	C	90	100	P	80	2000	—	C	ms
t <sub>64kprogram</sub>	64 KB block program time	108	C	175	200	P	169	4000	—	C	ms
t <sub>256kprogram</sub>	256 KB block program time	432	C	700	850	P	634	17000	—	C	ms
t <sub>16kprogrammeep</sub>	Program 16 KB EEPROM (partition 2) [Packaged part]	31	C	52	58	P	64	1000		C	ms
t <sub>16keraseeep</sub>	Erase 16 KB EEPROM (partition 2) [Packaged part]	160	C	1000	1000	P	500	5000		C	ms
t <sub>tr</sub>	Program rate <sup>(8)</sup>	1.73	C	2.24	3.40	C	1.9	—		C	s/MB
t <sub>pr</sub>	Erase rate <sup>(8)</sup>	4.0	C	8.0	12.0	C	4.4	—		C	s/MB
t <sub>ffprogram</sub>	Full flash programming time <sup>(9)</sup>	5	C	20	30	P	5.8	32	—	C	s
t <sub>fferase</sub>	Full flash erasing time <sup>(9)</sup>	13	C	26	30	P	14.2	40	—	C	s
t <sub>ESRT</sub>	Erase suspend request rate <sup>(10)</sup>	5.5	T	—	—	—	—	—		—	ms
t <sub>PSRT</sub>	Program suspend request rate <sup>(10)</sup>	20	T	—	—	—	—	—		—	µs
t <sub>PSUS</sub>	Program suspend latency <sup>(11)</sup>	—	—	—	—	—	—	10		T	µs

**Table 45. Flash memory program and erase specifications <sup>(1)</sup>(Continued)**

Symbol	Characteristics <sup>(2)</sup>	Value									Unit
		Typ <sup>(3)</sup>	C	Initial max			Typical end of life <sup>(4)</sup>	Lifetime max <sup>(5)</sup>		C	
				25 °C <sup>(6)</sup>	All temp <sup>(7)</sup>	C		< 1 k cycles	≤ 250 K cycles		
t <sub>ESUS</sub>	Erase suspend latency <sup>(11)</sup>	—	—	—	—	—	—	—	20	T	µs
t <sub>AIC0S</sub>	Array Integrity Check (2.5 MB, sequential) <sup>(12)</sup>	25	T	—	—	—	—	—	—	—	ms
t <sub>AIC256KS</sub>	Array Integrity Check (256 KB, sequential) <sup>(12)</sup>	2.5	T	—	—	—	—	—	—	—	ms
t <sub>AIC0P</sub>	Array Integrity Check (2.5 MB, proprietary) <sup>(12)</sup>	2.5	T	—	—	—	—	—	—	—	s
t <sub>MR0S</sub>	Margin Read (2.5 MB, sequential) <sup>(12)</sup>	125	T	—	—	—	—	—	—	—	ms
t <sub>MR256KS</sub>	Margin Read (256 KB, sequential) <sup>(12)</sup>	12.5	T	—	—	—	—	—	—	—	ms

- Characteristics are valid both for Data Flash and Code Flash, unless specified in the characteristics column.
- Actual hardware programming times; this does not include software overhead.
- Typical program and erase times assume nominal supply values and operation at 25 °C. All times are subject to change pending device characterization.
- Typical End of Life program and erase times represent the median performance and assume nominal supply values. Typical End of Life program and erase values may be used for throughput calculations. These values are characteristic, but not tested.
- Lifetime maximum program & erase times apply across the voltages and temperatures and occur after the specified number of program/erase cycles. These maximum values are characterized but not tested or guaranteed.
- Initial factory condition: < 100 program/erase cycles, 20 °C < T<sub>J</sub> < 30 °C junction temperature, and nominal (± 2%) supply voltages. These values are verified at production testing.
- Initial maximum “All temp” program and erase times provide guidance for time-out limits used in the factory and apply for less than or equal to 100 program or erase cycles, -40 °C < T<sub>J</sub> < 150 °C junction temperature, and nominal (± 2%) supply voltages. These values are verified at production testing.
- Rate computed based on 256 K sectors.
- Only code sectors, not including EEPROM.
- Time between suspend resume and next suspend. Value stated actually represents minimum value specification.
- Timings guaranteed by design.
- AIC is done using system clock, thus all timing is dependant on system frequency and number of wait states. Timing in the table is calculated at max frequency.

**Table 46. Flash memory Life Specification**

Symbol	Characteristics <sup>(1)</sup>	Value				Unit
		Min	C	Typ	C	
N <sub>CER16K</sub>	16 KB CODE Flash endurance	10	—	100	—	kcycles
N <sub>CER32K</sub>	32 KB CODE Flash endurance	10	—	100	—	kcycles
N <sub>CER64K</sub>	64 KB CODE Flash endurance	10	—	100	—	kcycles



**Table 46. Flash memory Life Specification(Continued)**

Symbol	Characteristics <sup>(1)</sup>	Value				Unit
		Min	C	Typ	C	
N <sub>CER256K</sub>	256 KB CODE Flash endurance	1	—	100	—	kcycles
N <sub>DER16K</sub>	16 KB EEPROM Flash endurance	250	—	—	—	kcycles
t <sub>DR1k</sub>	Minimum data retention Blocks with 0 - 1,000 P/E cycles	20	—	—	—	Years
t <sub>DR10k</sub>	Minimum data retention Blocks with 1,001 - 10,000 P/E cycles	20	—	—	—	Years
t <sub>DR250k</sub>	Minimum data retention Blocks with 10,001 - 250,000 P/E cycles	10	—	—	—	Years

1. Program and erase cycles supported across specified temperature specs.

### 3.18.1 Flash read wait state and address pipeline control settings

*Table 47* describes the recommended RWSC settings at various operating frequencies based on specified intrinsic flash access times of the Flash array at 150 °C.

**Table 47. Flash memory RWSC configuration**

Platform Frequency	Minimum RWSC settings
0 – 25 MHz	0
25 – 50 MHz	1
50 – 80 MHz	2
80 – 110 MHz	3
110 – 140 MHz	4
140 – 160 MHz	5



## 3.19 AC specifications

### 3.19.1 Debug and calibration interface timing

#### 3.19.1.1 JTAG interface timing

Table 48. JTAG pin AC electrical characteristics<sup>(1)(2)</sup>

#	Symbol	C	Characteristic	Value		Unit	
				Min	Max		
1	$t_{JCYC}$	CC	D	TCK cycle time	100	—	ns
2	$t_{JDC}$	CC	T	TCK clock pulse width	40	60	%
3	$t_{TCKRISE}$	CC	D	TCK rise and fall times (40%–70%)	—	3	ns
4	$t_{TMSS}, t_{TDIS}$	CC	D	TMS, TDI data setup time	5	—	ns
5	$t_{TMSH}, t_{TDIH}$	CC	D	TMS, TDI data hold time	5	—	ns
6	$t_{TDOV}$	CC	D	TCK low to TDO data valid	—	15 <sup>(3)</sup>	ns
7	$t_{TDOI}$	CC	D	TCK low to TDO data invalid	0	—	ns
8	$t_{TDOHZ}$	CC	D	TCK low to TDO high impedance	—	15	ns
9	$t_{JCMPPW}$	CC	D	JCOMP assertion time	100	—	ns
10	$t_{JCMPS}$	CC	D	JCOMP setup time to TCK low	40	—	ns
11	$t_{BSDV}$	CC	D	TCK falling edge to output valid	—	600 <sup>(4)</sup>	ns
12	$t_{BSDVZ}$	CC	D	TCK falling edge to output valid out of high impedance	—	600	ns
13	$t_{BSDHZ}$	CC	D	TCK falling edge to output high impedance	—	600	ns
14	$t_{BSDST}$	CC	D	Boundary scan input valid to TCK rising edge	15	—	ns
15	$t_{BSDHT}$	CC	D	TCK rising edge to boundary scan input invalid	15	—	ns

1. These specifications apply to JTAG boundary scan only. See [Table 49](#) for functional specifications.
2. JTAG timing specified at  $V_{DD\_HV\_IO\_JTAG} = 4.0\text{ V to }5.5\text{ V}$ , and maximum loading per pad type as specified in the I/O section of the data sheet.
3. Timing includes TCK pad delay, clock tree delay, logic delay and TDO output pad delay.
4. Applies to all pins, limited by pad slew rate. Refer to IO delay and transition specification and add 20 ns for JTAG delay.

Figure 24. JTAG test clock input timing

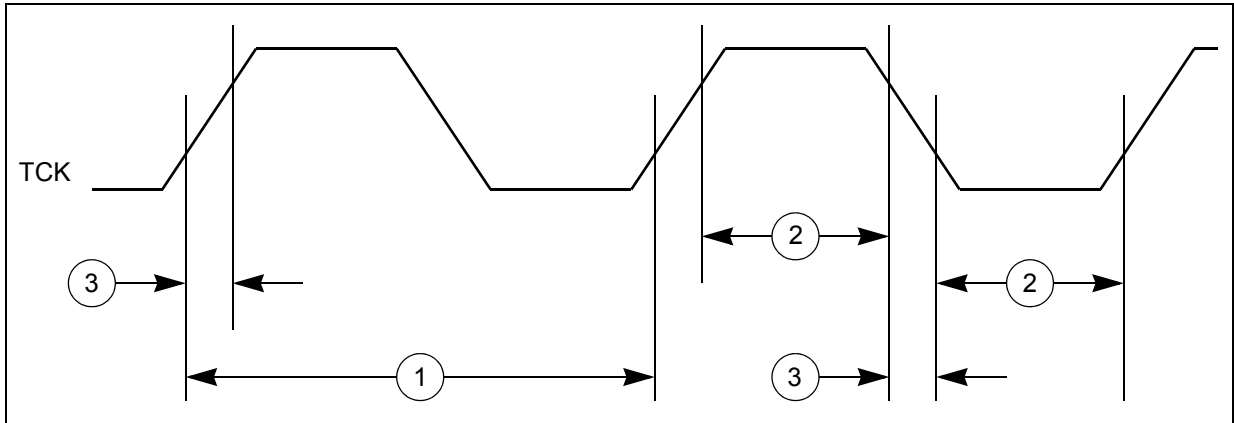


Figure 25. JTAG test access port timing

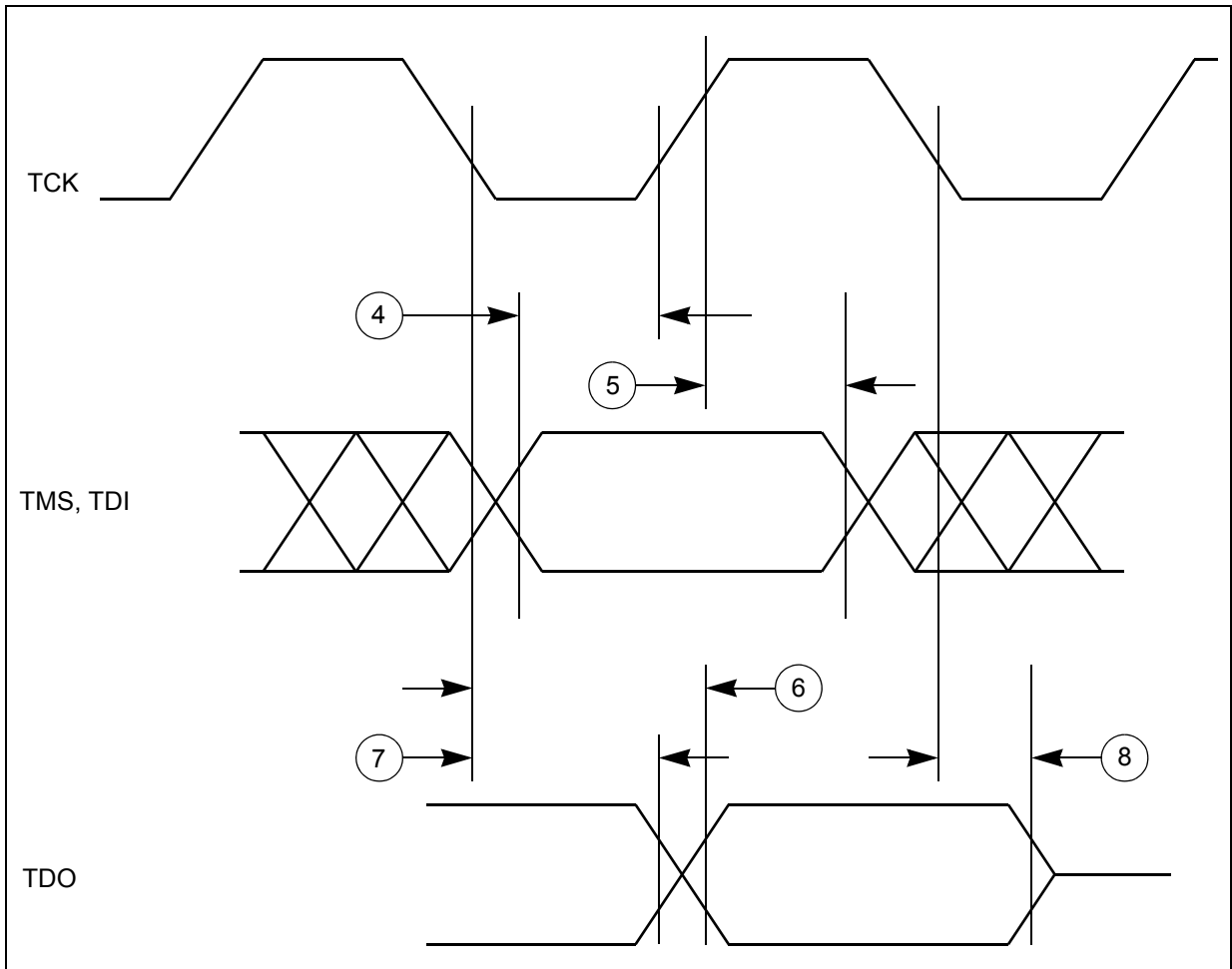


Figure 26. JTAG JCOMP timing

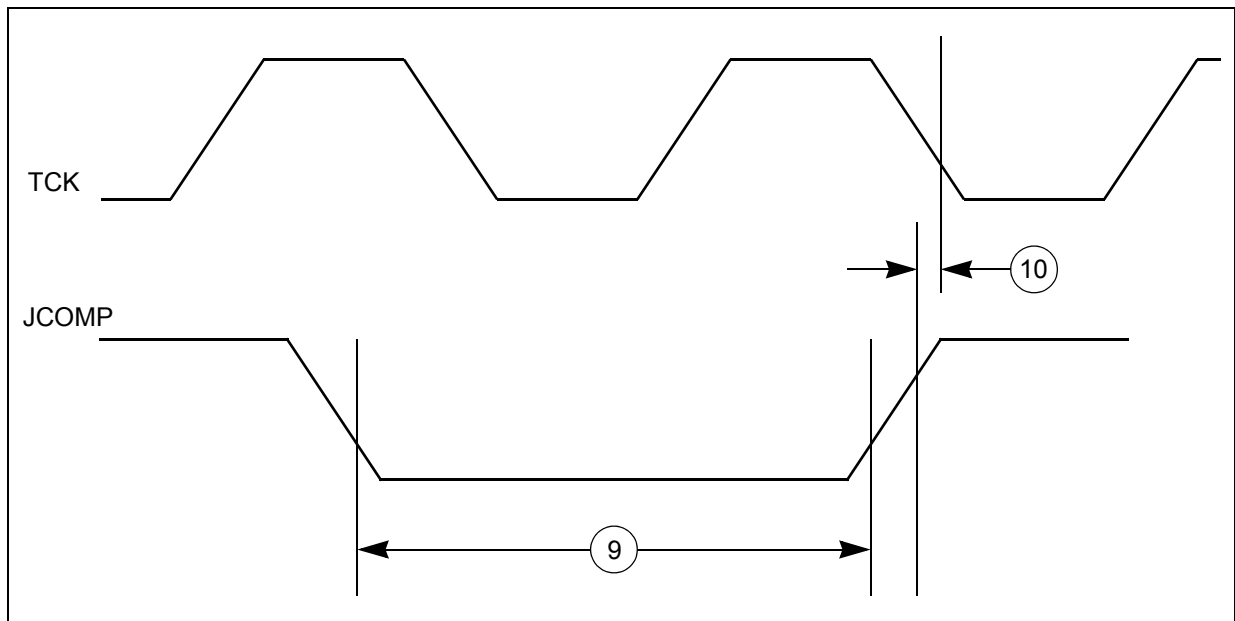
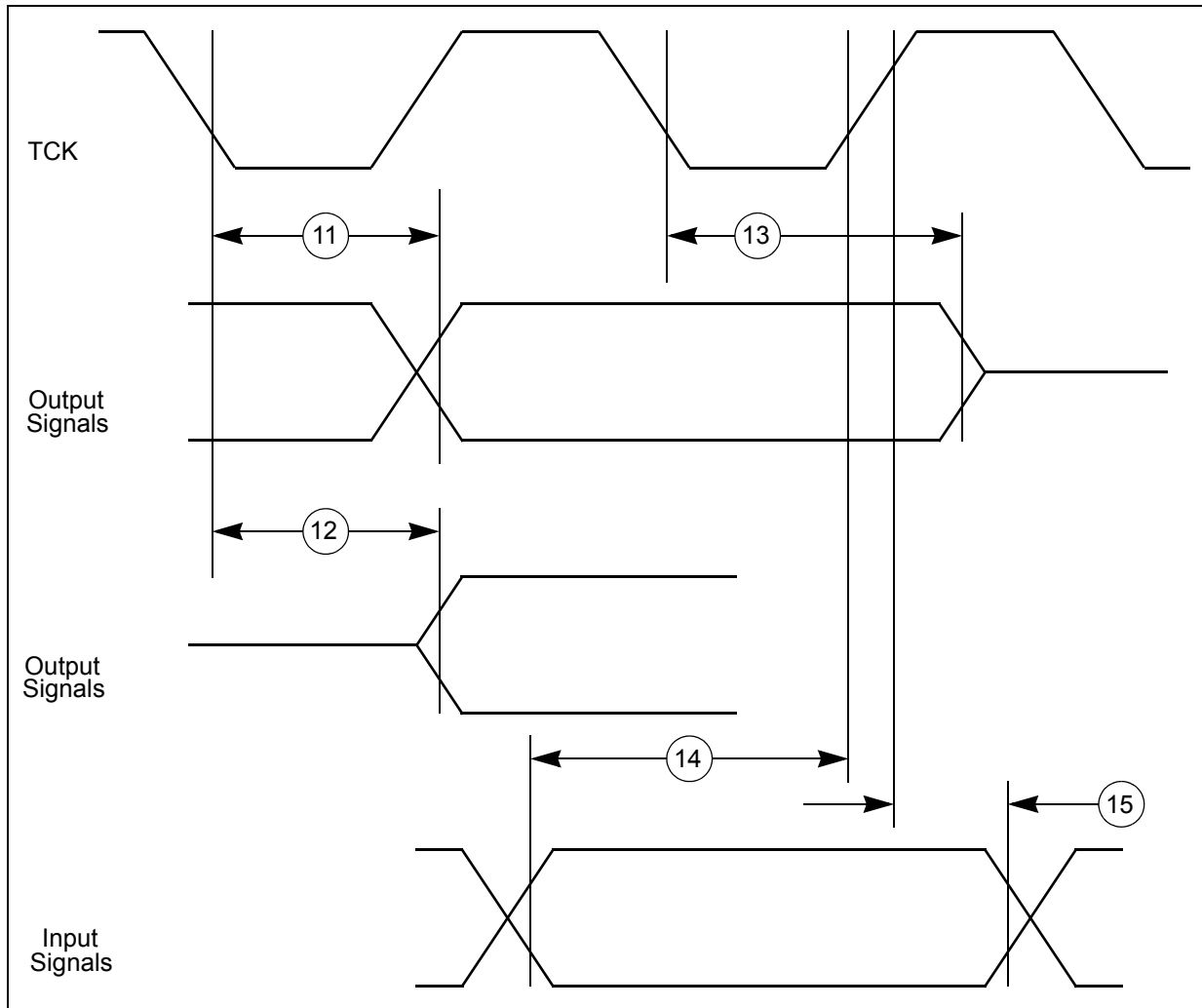


Figure 27. JTAG boundary scan timing



3.19.1.2 Nexus interface timing

Table 49. Nexus debug port timing<sup>(1)</sup>

#	Symbol	C	Characteristic	Value		Unit	
				Min	Max		
7	$t_{EVTIPW}$	CC	P	$\overline{EVTI}$ pulse width	4	—	$t_{CYC}^{(2)}$
8	$t_{EVTOPW}$	CC	P	$\overline{EVTO}$ pulse width	40	—	ns
9	$t_{TCYC}$	CC	D	TCK cycle time	2 <sup>(3)</sup> , (4)	—	$t_{CYC}^{(2)}$
9	$t_{TCYC}$	CC	D	Absolute minimum TCK cycle time <sup>(5)</sup> (TDO sampled on posedge of TCK)	40 <sup>(6)</sup>	—	ns
11 <sup>(7)</sup>	$t_{NTDIS}$	CC	D	TDI/TDIC data setup time	5	—	ns
12	$t_{NTDIH}$	CC	D	TDI/TDIC data hold time	5	—	ns

**Table 49. Nexus debug port timing<sup>(1)</sup>(Continued)**

#	Symbol	C	Characteristic	Value		Unit	
				Min	Max		
13 <sup>(8)</sup>	$t_{NTMSS}$	CC	D	TMS/TMSC data setup time	5	—	ns
14	$t_{NTMSH}$	CC	D	TMS/TMSC data hold time	5	—	ns
15 <sup>(9)</sup>	—	CC	D	TDO/TDOC propagation delay from falling edge of TCK <sup>(10)</sup>	—	16	ns
16	—	CC	D	TDO/TDOC hold time with respect to TCK falling edge (minimum TDO/TDOC propagation delay)	2.25	—	ns

1. Nexus timing specified at  $V_{DD\_HV\_IO\_JTAG} = 4.0\text{ V to }5.5\text{ V}$ , and maximum loading per pad type as specified in the I/O section of the data sheet.
2.  $t_{CYC}$  is system clock period.
3. Achieving the absolute minimum TCK cycle time may require a maximum clock speed (system frequency / 8) that is less than the maximum functional capability of the design (system frequency / 4) depending on the actual peripheral frequency being used. To ensure proper operation TCK frequency should be set to the peripheral frequency divided by a number greater than or equal to that specified here.
4. This is a functionally allowable feature. However, it may be limited by the maximum frequency specified by the Absolute minimum TCK period specification.
5. This timing applies to TDI/TDIC, TDO/TDOC, TMS/TMSC pins; however, actual frequency is limited by pad type for EXTEST instructions. Refer to pad specification for allowed transition frequency.
6. This may require a maximum clock speed (system frequency / 8) that is less than the maximum functional capability of the design (system frequency / 4) depending on the actual system frequency being used.
7. TDIC represents the TDI bit frame of the scan packet in compact JTAG 2-wire mode.
8. TMSH represents the TMS bit frame of the scan packet in compact JTAG 2-wire mode.
9. TDOC represents the TDO bit frame of the scan packet in compact JTAG 2-wire mode.
10. Timing includes TCK pad delay, clock tree delay, logic delay and TDO/TDOC output pad delay.

**Figure 28. Nexus event trigger and test clock timings**

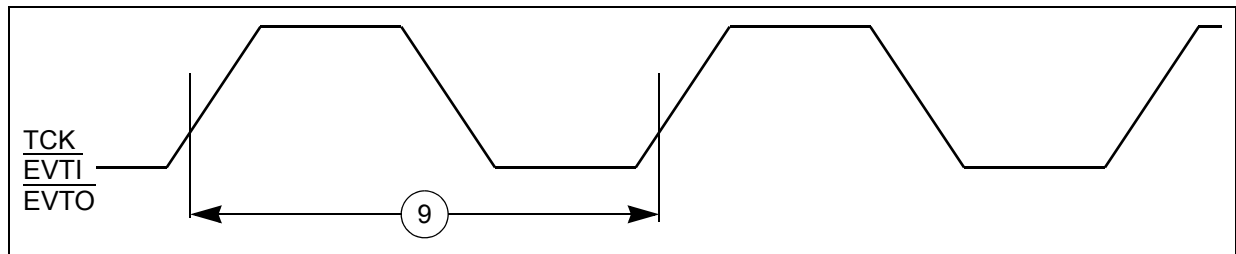
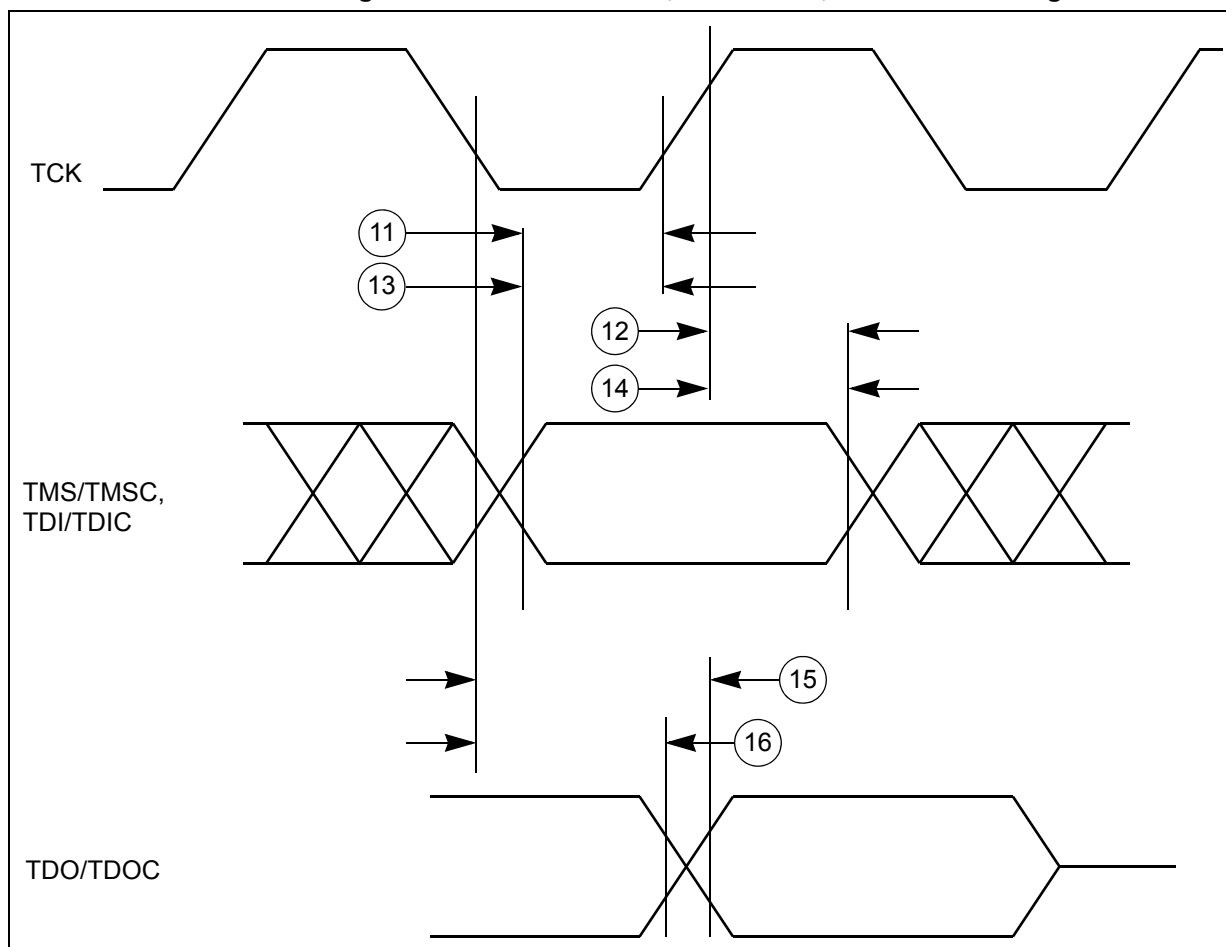


Figure 29. Nexus TDI/TDIC, TMS/TMSC, TDO/TDOC timing



3.19.1.3 Aurora LVDS interface timing

Table 50. Aurora LVDS interface timing specifications

Symbol	C	Parameter	Value			Unit	
			Min	Typ	Max		
Data Rate							
—	SR	T	Data rate	—	—	1250	Mbps
STARTUP							
t <sub>STRT_BIAS</sub>	CC	T	Bias startup time <sup>(1)</sup>	—	—	5	µs
t <sub>STRT_TX</sub>	CC	T	Transmitter startup time <sup>(2)</sup>	—	—	5	µs
t <sub>STRT_RX</sub>	CC	T	Receiver startup time <sup>(3)</sup>	—	—	4	µs

1. Startup time is defined as the time taken by LVDS current reference block for settling bias current after its pwr\_down (power down) has been deasserted. LVDS functionality is guaranteed only after the startup time.
2. Startup time is defined as the time taken by LVDS transmitter for settling after its pwr\_down (power down) has been deasserted. Here it is assumed that current reference is already stable (see Bias start-up time). LVDS functionality is guaranteed only after the startup time.

- Startup time is defined as the time taken by LVDS receiver for settling after its pwr\_down (power down) has been deasserted. Here it is assumed that current reference is already stable (see Bias start-up time). LVDS functionality is guaranteed only after the startup time.

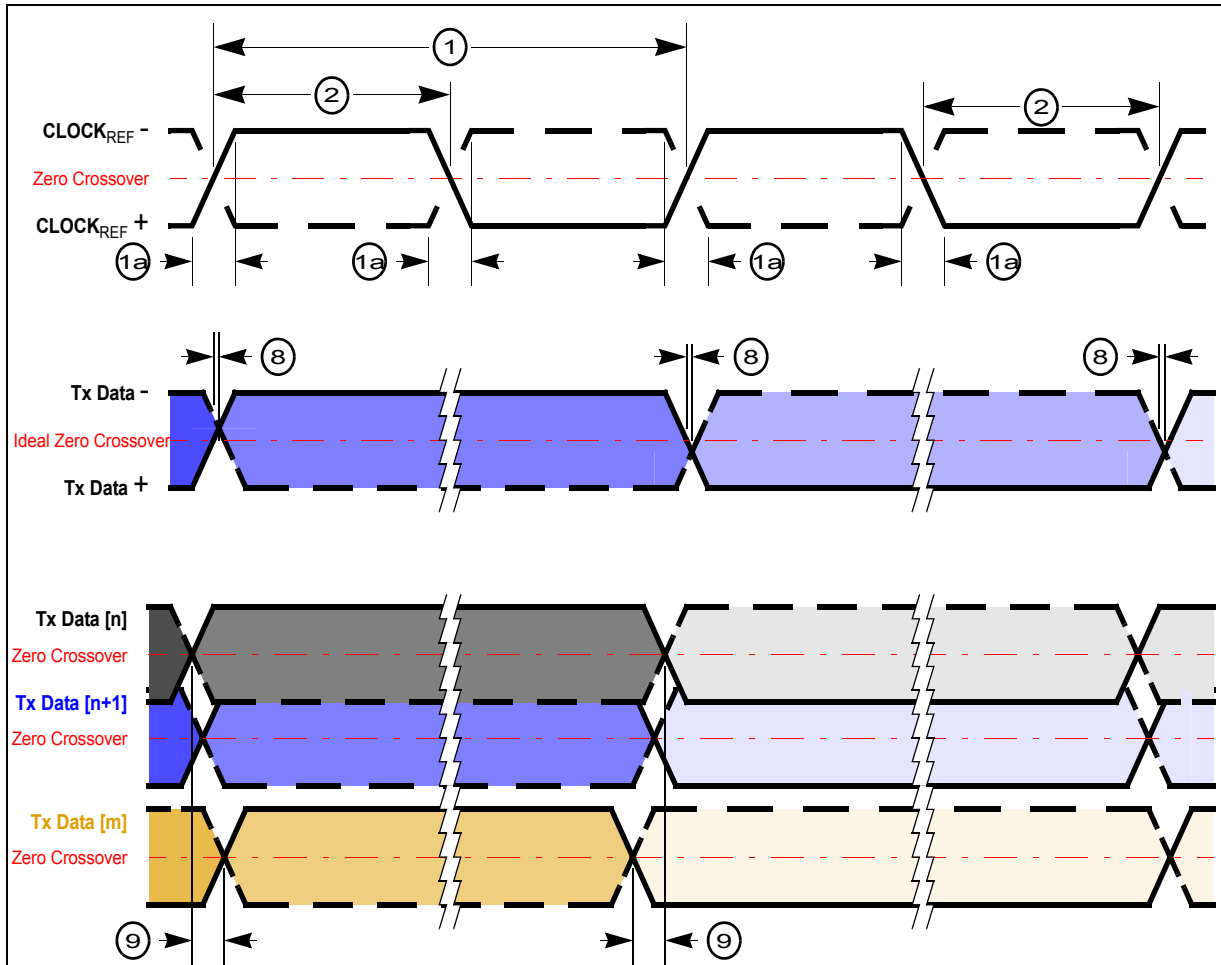
### 3.19.1.4 Aurora debug port timing

Table 51. Aurora debug port timing

#	Symbol	C	Characteristic	Value		Unit	
				Min	Max		
1	t <sub>REFCLK</sub>	CC	T	Reference clock frequency	625	1250	MHz
1a	t <sub>MCYC</sub>	CC	T	Reference clock rise/fall time	—	400	ps
2	t <sub>RCDC</sub>	CC	D	Reference clock duty cycle	45	55	%
3	J <sub>RC</sub>	CC	D	Reference clock jitter	—	40	ps
4	t <sub>STABILITY</sub>	CC	D	Reference clock stability	50	—	PPM
5	BER	CC	D	Bit error rate	—	10 <sup>-12</sup>	—
6	J <sub>D</sub>	SR	D	Transmit lane deterministic jitter	—	0.17	OUI
7	J <sub>T</sub>	SR	D	Transmit lane total jitter	—	0.35	OUI
8	S <sub>O</sub>	CC	T	Differential output skew	—	20	ps
9	S <sub>MO</sub>	CC	T	Lane to lane output skew	—	1000	ps
10	OUI	CC	D	Aurora lane unit interval <sup>(1)</sup>	625 Mbps	1600	ps
			D		1.25 Gbps	800	

1. ± 100 PPM

Figure 30. Aurora timings



### 3.19.2 DSPI timing with CMOS and LVDS<sup>(a)</sup> pads

DSPI channel frequency support is shown in [Table 52](#). Timing specifications are shown in [Table 53](#), [Table 54](#), [Table 55](#), [Table 56](#) and [Table 57](#).

Table 52. DSPI channel frequency support

DSPI use mode		Max usable frequency (MHz) <sup>(1),(2)</sup>
CMOS (Master mode)	Full duplex – Classic timing ( <a href="#">Table 53</a> )	17
	Full duplex – Modified timing ( <a href="#">Table 54</a> )	30
	Output only mode (SCK/SOUT/PCS) ( <a href="#">Table 53</a> and <a href="#">Table 54</a> )	30
	Output only mode TSB mode (SCK/SOUT/PCS) ( <a href="#">Table 57</a> )	30

a. DSPI in TSB mode with LVDS pads can be used to implement Micro Second Channel bus protocol.



**Table 52. DSPI channel frequency support(Continued)**

DSPI use mode		Max usable frequency (MHz) <sup>(1),(2)</sup>
LVDS (Master mode)	Full duplex – Modified timing ( <a href="#">Table 55</a> )	33
	Output only mode TSB mode (SCK/SOUT/PCS) ( <a href="#">Table 56</a> )	40
CMOS Slave mode	Full duplex ( <a href="#">Table 58</a> )	16

1. Maximum usable frequency can be achieved if used with fastest configuration of the highest drive pads.
2. Maximum usable frequency does not take into account external device propagation delay.

### 3.19.2.1 DSPI master mode full duplex timing with CMOS and LVDS pads

#### 3.19.2.1.1 DSPI CMOS Master Mode – Classic Timing

**Table 53. DSPI CMOS master classic timing (full duplex and output only) – MTFE = 0, CPHA = 0 or 1<sup>(1)</sup>**

#	Symbol	C	Characteristic	Condition		Value <sup>(2)</sup>		Unit	
				Pad drive <sup>(3)</sup>	Load (C <sub>L</sub> )	Min	Max		
1	t <sub>SCK</sub>	CC	D	SCK cycle time	SCK drive strength				ns
					Very strong	25 pF	33.0	—	
					Strong	50 pF	80.0	—	
					Medium	50 pF	200.0	—	
2	t <sub>CSC</sub>	CC	D	PCS to SCK delay	SCK and PCS drive strength				ns
					Very strong	25 pF	$(N^{(4)} \times t_{SYS}^{(5)}) - \frac{16}{16}$	—	
					Strong	50 pF	$(N^{(4)} \times t_{SYS}^{(5)}) - \frac{16}{16}$	—	
					Medium	50 pF	$(N^{(4)} \times t_{SYS}^{(5)}) - \frac{16}{16}$	—	
					PCS medium and SCK strong	PCS = 50 pF SCK = 50 pF	$(N^{(4)} \times t_{SYS}^{(5)}) - \frac{29}{29}$	—	
3	t <sub>ASC</sub>	CC	D	After SCK delay	SCK and PCS drive strength				ns
					Very strong	PCS = 0 pF SCK = 50 pF	$(M^{(6)} \times t_{SYS}^{(5)}) - \frac{35}{35}$	—	
					Strong	PCS = 0 pF SCK = 50 pF	$(M^{(6)} \times t_{SYS}^{(5)}) - \frac{35}{35}$	—	
					Medium	PCS = 0 pF SCK = 50 pF	$(M^{(6)} \times t_{SYS}^{(5)}) - \frac{35}{35}$	—	
					PCS medium and SCK strong	PCS = 0 pF SCK = 50 pF	$(M^{(6)} \times t_{SYS}^{(5)}) - \frac{35}{35}$	—	

**Table 53. DSPI CMOS master classic timing (full duplex and output only) – MTFE = 0, CPHA = 0 or 1<sup>(1)</sup>(Continued)**

#	Symbol	C	Characteristic	Condition		Value <sup>(2)</sup>		Unit	
				Pad drive <sup>(3)</sup>	Load (C <sub>L</sub> )	Min	Max		
4	t <sub>SDC</sub>	CC	D	SCK duty cycle <sup>(7)</sup>	SCK drive strength				ns
					Very strong	0 pF	$\frac{1}{2}t_{SCK} - 2$	$\frac{1}{2}t_{SCK} + 2$	
					Strong	0 pF	$\frac{1}{2}t_{SCK} - 2$	$\frac{1}{2}t_{SCK} + 2$	
					Medium	0 pF	$\frac{1}{2}t_{SCK} - 5$	$\frac{1}{2}t_{SCK} + 5$	
PCS strobe timing									
5	t <sub>PCSC</sub>	CC	D	PCSx to $\overline{PCSS}$ time <sup>(8)</sup>	PCS and PCSS drive strength				ns
					Strong	25 pF	16.0	—	
6	t <sub>PASC</sub>	CC	D	$\overline{PCSS}$ to PCSx time <sup>(8)</sup>	PCS and PCSS drive strength				ns
					Strong	25 pF	16.0	—	
SIN setup time									
7	t <sub>SUI</sub>	CC	D	SIN setup time to SCK <sup>(9)</sup>	SCK drive strength				ns
					Very strong	25 pF	25.0	—	
					Strong	50 pF	31.0	—	
					Medium	50 pF	52.0	—	
SIN hold time									
8	t <sub>HI</sub>	CC	D	SIN hold time from SCK <sup>(9)</sup>	SCK drive strength				ns
					Very strong	0 pF	-1.0	—	
					Strong	0 pF	-1.0	—	
					Medium	0 pF	-1.0	—	
SOUT data valid time (after SCK edge)									
9	t <sub>SUO</sub>	CC	D	SOUT data valid time from SCK <sup>(10)</sup>	SOUT and SCK drive strength				ns
					Very strong	25 pF	—	7.0	
					Strong	50 pF	—	8.0	
					Medium	50 pF	—	16.0	
SOUT data hold time (after SCK edge)									
10	t <sub>HO</sub>	CC	D	SOUT data hold time after SCK <sup>(10)</sup>	SOUT and SCK drive strength				ns
					Very strong	25 pF	-7.7	—	
					Strong	50 pF	-11.0	—	
					Medium	50 pF	-15.0	—	

1. All output timing is worst case and includes the mismatching of rise and fall times of the output pads.
2. All timing values for output signals in this table are measured to 50% of the output voltage.
3. Timing is guaranteed to same drive capabilities for all signals, mixing of pad drives may reduce operating speeds and may cause incorrect operation.



4. N is the number of clock cycles added to time between PCS assertion and SCK assertion and is software programmable using DSPI\_CTARx[PSSCK] and DSPI\_CTARx[CSSCK]. The minimum value is 2 cycles unless TSB mode or Continuous SCK clock mode is selected, in which case, N is automatically set to 0 clock cycles (PCS and SCK are driven by the same edge of DSPI\_CLKn).
5.  $t_{SYS}$  is the period of DSPI\_CLKn clock, the input clock to the DSPI module. Maximum frequency is 100 MHz (min  $t_{SYS} = 10$  ns).
6. M is the number of clock cycles added to time between SCK negation and PCS negation and is software programmable using DSPI\_CTARx[PASC] and DSPI\_CTARx[ASC]. The minimum value is 2 cycles unless TSB mode or Continuous SCK clock mode is selected, in which case, M is automatically set to 0 clock cycles (PCS and SCK are driven by the same edge of DSPI\_CLKn).
7.  $t_{SDC}$  is only valid for even divide ratios. For odd divide ratios the fundamental duty cycle is not 50:50. For these odd divide ratios cases, the absolute spec number is applied as jitter/uncertainty to the nominal high time and low time.
8. PCSx and PCSS using same pad configuration.
9. Input timing assumes an input slew rate of 1 ns (10% – 90%) and uses TTL / Automotive voltage thresholds.
10. SOUT Data Valid and Data hold are independent of load capacitance if SCK and SOUT load capacitances are the same value.

**Figure 31. DSPI CMOS master mode – classic timing, CPHA = 0**

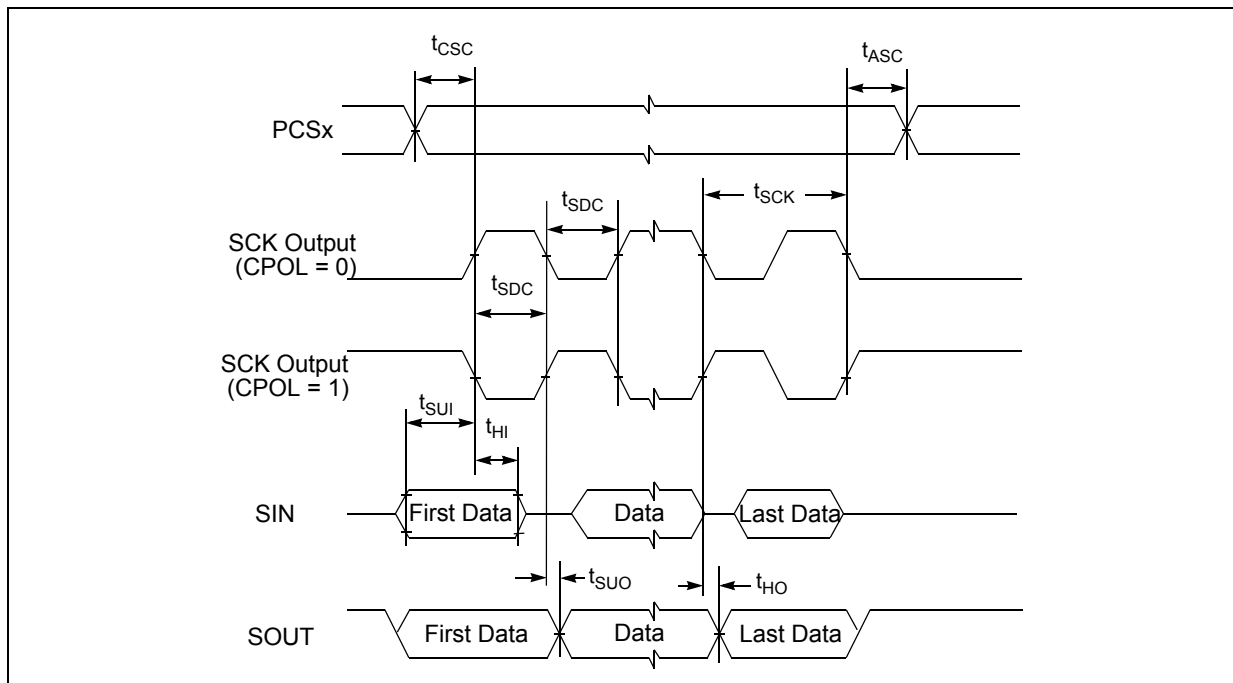


Figure 32. DSPI CMOS master mode – classic timing, CPHA = 1

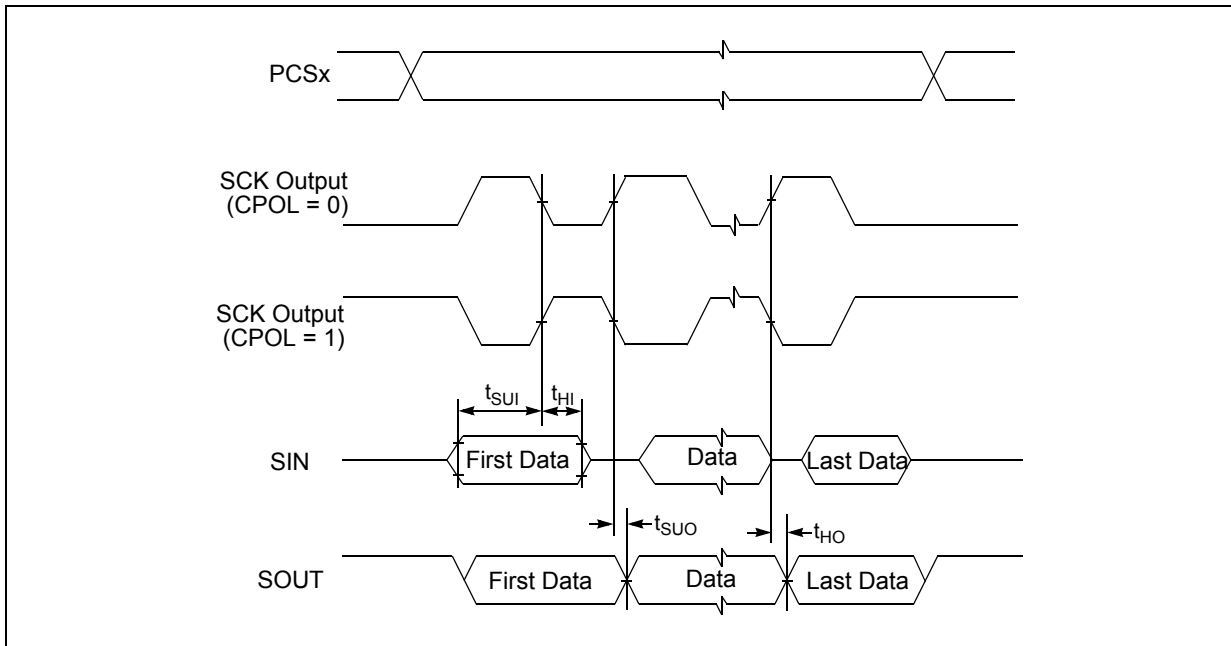
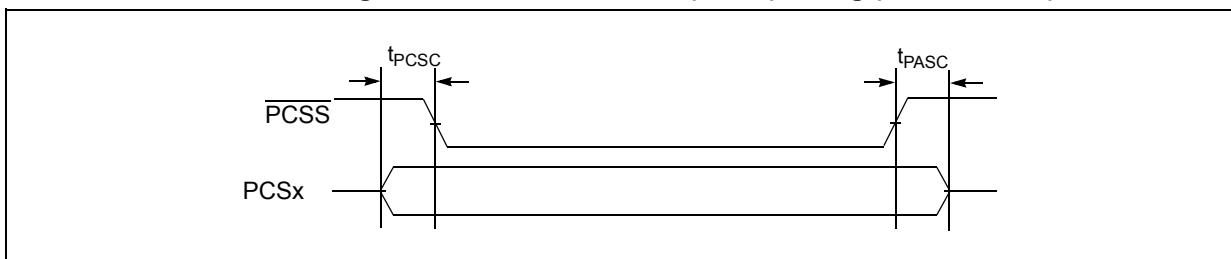


Figure 33. DSPI PCS strobe ( $\overline{\text{PCSS}}$ ) timing (master mode)



3.19.2.1.2 DSPI CMOS Master Mode – Modified Timing

Table 54. DSPI CMOS master modified timing (full duplex and output only) – MTFE = 1, CPHA = 0 or 1<sup>(1)</sup>

#	Symbol	C	Characteristic	Condition		Value <sup>(2)</sup>		Unit
				Pad drive <sup>(3)</sup>	Load (C <sub>L</sub> )	Min	Max	
1	t <sub>SCK</sub>	CC	D	SCK cycle time		SCK drive strength		ns
				Very strong	25 pF	33.0	—	
				Strong	50 pF	80.0	—	
				Medium	50 pF	200.0	—	

**Table 54. DSPI CMOS master modified timing (full duplex and output only) – MTFE = 1, CPHA = 0 or 1<sup>(1)</sup>(Continued)**

#	Symbol		C	Characteristic	Condition		Value <sup>(2)</sup>		Unit
					Pad drive <sup>(3)</sup>	Load (C <sub>L</sub> )	Min	Max	
2	t <sub>CSC</sub>	CC	D	PCS to SCK delay	SCK and PCS drive strength				ns
					Very strong	25 pF	$(N^{(4)} \times t_{SYS}^{(5)}) - \frac{16}{16}$	—	
					Strong	50 pF	$(N^{(4)} \times t_{SYS}^{(5)}) - \frac{16}{16}$	—	
					Medium	50 pF	$(N^{(4)} \times t_{SYS}^{(5)}) - \frac{16}{16}$	—	
				PCS medium and SCK strong	PCS = 50 pF SCK = 50 pF	$(N^{(4)} \times t_{SYS}^{(5)}) - \frac{29}{29}$	—		
3	t <sub>ASC</sub>	CC	D	After SCK delay	SCK and PCS drive strength				ns
					Very strong	PCS = 0 pF SCK = 50 pF	$(M^{(6)} \times t_{SYS}^{(5)}) - \frac{35}{35}$	—	
					Strong	PCS = 0 pF SCK = 50 pF	$(M^{(6)} \times t_{SYS}^{(5)}) - \frac{35}{35}$	—	
					Medium	PCS = 0 pF SCK = 50 pF	$(M^{(6)} \times t_{SYS}^{(5)}) - \frac{35}{35}$	—	
				PCS medium and SCK strong	PCS = 0 pF SCK = 50 pF	$(M^{(6)} \times t_{SYS}^{(5)}) - \frac{35}{35}$	—		
4	t <sub>SDC</sub>	CC	D	SCK duty cycle <sup>(7)</sup>	SCK drive strength				ns
					Very strong	0 pF	$\frac{1}{2}t_{SCK} - 2$	$\frac{1}{2}t_{SCK} + 2$	
					Strong	0 pF	$\frac{1}{2}t_{SCK} - 2$	$\frac{1}{2}t_{SCK} + 2$	
					Medium	0 pF	$\frac{1}{2}t_{SCK} - 5$	$\frac{1}{2}t_{SCK} + 5$	
PCS strobe timing									
5	t <sub>PCSC</sub>	CC	D	PCSx to $\overline{PCSS}$ time <sup>(8)</sup>	PCS and PCSS drive strength				ns
					Strong	25 pF	16.0	—	
6	t <sub>PASC</sub>	CC	D	$\overline{PCSS}$ to PCSx time <sup>(8)</sup>	PCS and PCSS drive strength				ns
					Strong	25 pF	16.0	—	
SIN setup time									

**Table 54. DSPI CMOS master modified timing (full duplex and output only) – MTFE = 1, CPHA = 0 or 1<sup>(1)</sup>(Continued)**

#	Symbol	C	Characteristic	Condition		Value <sup>(2)</sup>		Unit			
				Pad drive <sup>(3)</sup>	Load (C <sub>L</sub> )	Min	Max				
7	t <sub>SUI</sub>	CC	D	SIN setup time to SCK CPHA = 0 <sup>(9)</sup>	SCK drive strength				ns		
					Very strong	25 pF	$25 - (P^{(10)} \times t_{SYS}^{(5)})$	—			
					Strong	50 pF	$31 - (P^{(10)} \times t_{SYS}^{(5)})$	—			
					Medium	50 pF	$52 - (P^{(10)} \times t_{SYS}^{(5)})$	—			
						SIN setup time to SCK CPHA = 1 <sup>(9)</sup>	SCK drive strength				ns
							Very strong	25 pF	25.0	—	
							Strong	50 pF	31.0	—	
							Medium	50 pF	52.0	—	
SIN hold time											
8	t <sub>HI</sub>	CC	D	SIN hold time from SCK CPHA = 0 <sup>(9)</sup>	SCK drive strength				ns		
					Very strong	0 pF	$1 + (P^{(9)} \times t_{SYS}^{(4)})$	—			
					Strong	0 pF	$1 + (P^{(9)} \times t_{SYS}^{(4)})$	—			
					Medium	0 pF	$1 + (P^{(9)} \times t_{SYS}^{(4)})$	—			
						SIN hold time from SCK CPHA = 1 <sup>(9)</sup>	SCK drive strength				ns
							Very strong	0 pF	-1.0	—	
							Strong	0 pF	-1.0	—	
							Medium	0 pF	-1.0	—	
SOUT data valid time (after SCK edge)											
9	t <sub>SUO</sub>	CC	D	SOUT data valid time from SCK CPHA = 0 <sup>(10)</sup>	SOUT and SCK drive strength				ns		
					Very strong	25 pF	—	$7.0 + t_{SYS}^{(5)}$			
					Strong	50 pF	—	$8.0 + t_{SYS}^{(5)}$			
					Medium	50 pF	—	$16.0 + t_{SYS}^{(5)}$			
						SOUT data valid time from SCK CPHA = 1 <sup>(10)</sup>	SOUT and SCK drive strength				ns
							Very strong	25 pF	—	7.0	
							Strong	50 pF	—	8.0	
							Medium	50 pF	—	16.0	

**Table 54. DSPI CMOS master modified timing (full duplex and output only) – MTFE = 1, CPHA = 0 or 1<sup>(1)</sup>(Continued)**

#	Symbol	C	Characteristic	Condition		Value <sup>(2)</sup>		Unit			
				Pad drive <sup>(3)</sup>	Load (C <sub>L</sub> )	Min	Max				
SOUT data hold time (after SCK edge)											
10	t <sub>HO</sub>	CC	D	SOUT data hold time after SCK CPHA = 0 <sup>(11)</sup>	SOUT and SCK drive strength				ns		
					Very strong	25 pF	-7.7 + t <sub>SYS</sub> <sup>(5)</sup>	—			
					Strong	50 pF	-11.0 + t <sub>SYS</sub> <sup>(5)</sup>	—			
							Medium	50 pF	-15.0 + t <sub>SYS</sub> <sup>(5)</sup>	—	
				SOUT data hold time after SCK CPHA = 1 <sup>(11)</sup>	SOUT and SCK drive strength				ns		
					Very strong	25 pF	-7.7	—			
Strong	50 pF	-11.0	—								
			Medium	50 pF	-15.0	—					

1. All output timing is worst case and includes the mismatching of rise and fall times of the output pads.
2. All timing values for output signals in this table are measured to 50% of the output voltage.
3. Timing is guaranteed to same drive capabilities for all signals, mixing of pad drives may reduce operating speeds and may cause incorrect operation.
4. N is the number of clock cycles added to time between PCS assertion and SCK assertion and is software programmable using DSPI\_CTARx[PSSCK] and DSPI\_CTARx[CSSCK]. The minimum value is 2 cycles unless TSB mode or Continuous SCK clock mode is selected, in which case, N is automatically set to 0 clock cycles (PCS and SCK are driven by the same edge of DSPI\_CLKn).
5. t<sub>SYS</sub> is the period of DSPI\_CLKn clock, the input clock to the DSPI module. Maximum frequency is 100 MHz (min t<sub>SYS</sub> = 10 ns).
6. M is the number of clock cycles added to time between SCK negation and PCS negation and is software programmable using DSPI\_CTARx[PASC] and DSPI\_CTARx[ASC]. The minimum value is 2 cycles unless TSB mode or Continuous SCK clock mode is selected, in which case, M is automatically set to 0 clock cycles (PCS and SCK are driven by the same edge of DSPI\_CLKn).
7. t<sub>SDC</sub> is only valid for even divide ratios. For odd divide ratios the fundamental duty cycle is not 50:50. For these odd divide ratios cases, the absolute spec number is applied as jitter/uncertainty to the nominal high time and low time.
8. PCSx and PCSS using same pad configuration.
9. Input timing assumes an input slew rate of 1 ns (10% – 90%) and uses TTL / Automotive voltage thresholds.
10. P is the number of clock cycles added to delay the DSPI input sample point and is software programmable using DSPI\_MCR[SMPL\_PT]. The value must be 0, 1 or 2. If the baud rate divide ratio is /2 or /3, this value is automatically set to 1.
11. SOUT Data Valid and Data hold are independent of load capacitance if SCK and SOUT load capacitances are the same value.

Figure 34. DSPI CMOS master mode – modified timing, CPHA = 0

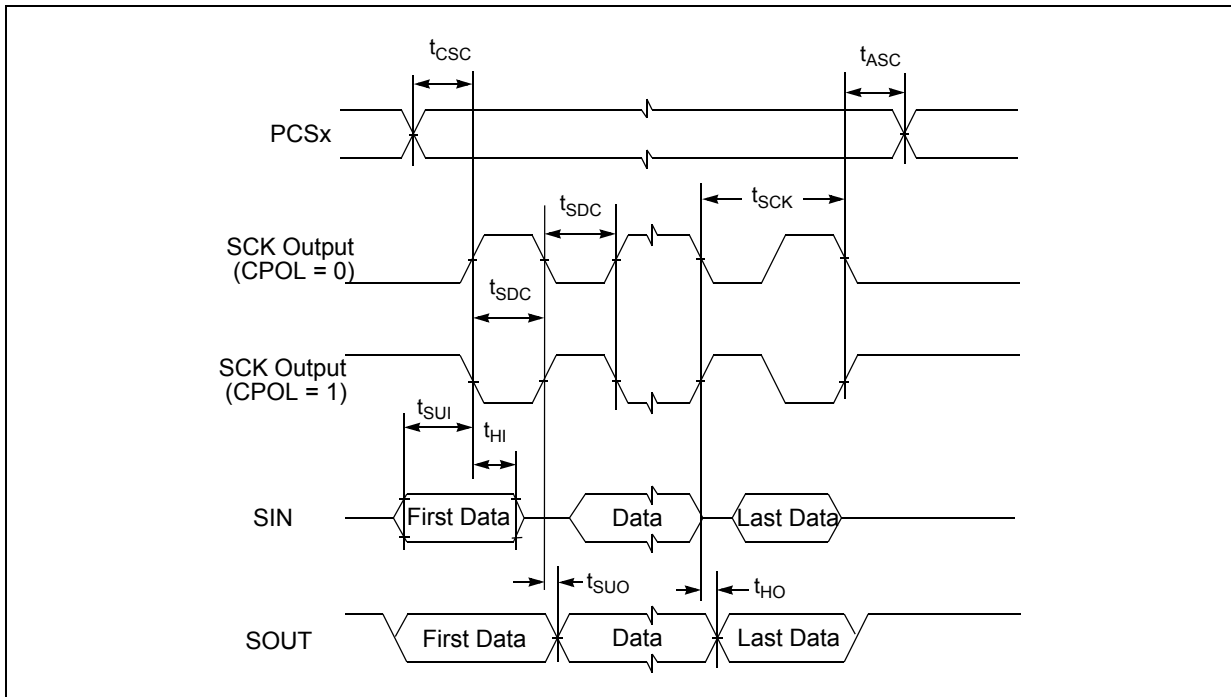


Figure 35. DSPI CMOS master mode – modified timing, CPHA = 1

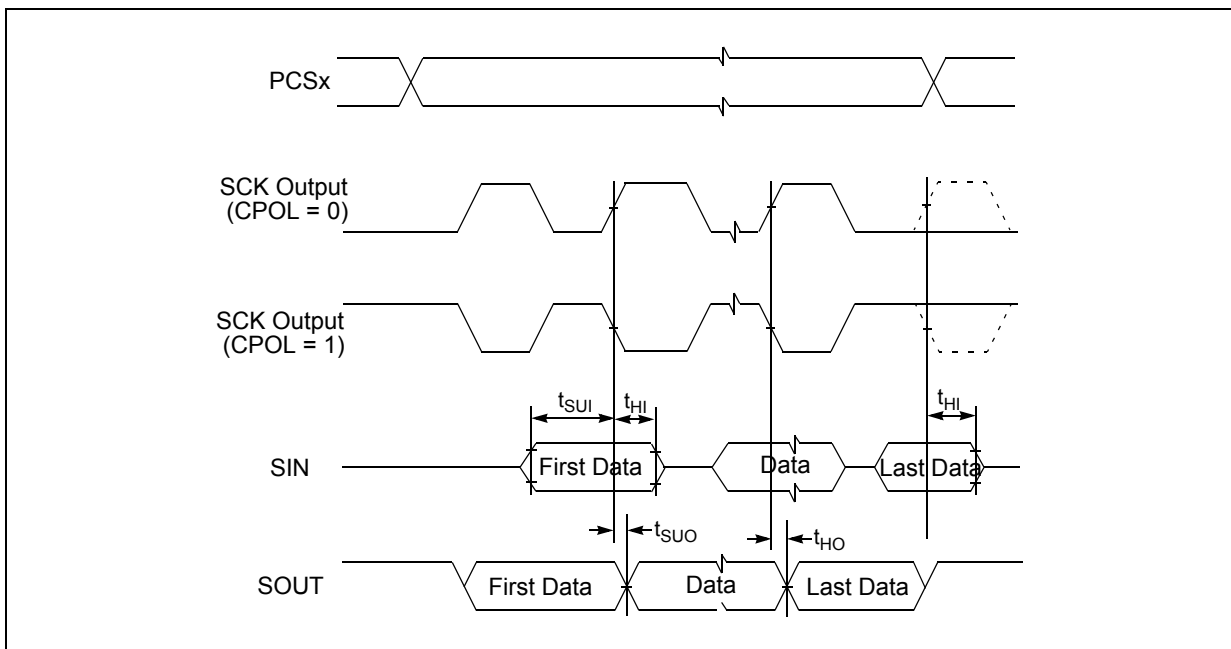
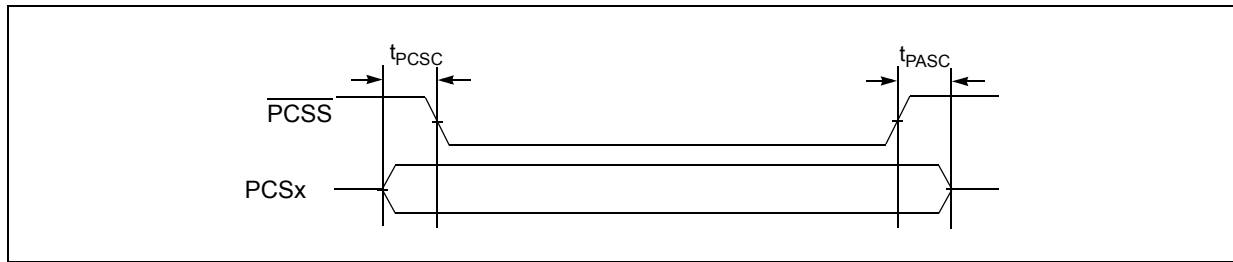




Figure 36. DSPI PCS strobe (PCSS) timing (master mode)



3.19.2.1.3 DSPI LVDS Master Mode – Modified Timing

Table 55. DSPI LVDS master timing – full duplex – modified transfer format (MTFE = 1), CPHA = 0 or 1

#	Symbol	C	Characteristic	Condition		Value <sup>(1)</sup>		Unit	
				Pad drive	Load	Min	Max		
1	t <sub>SCK</sub>	CC	D	SCK cycle time	LVDS	15 pF to 25 pF differential	30.0	—	ns
2	t <sub>CSC</sub>	CC	D	PCS to SCK delay (LVDS SCK)	PCS drive strength				
					Very strong	25 pF	$(N^{(2)} \times t_{SYS}^{(3)}) - 10$	—	ns
					Strong	50 pF	$(N^{(2)} \times t_{SYS}^{(3)}) - 10$	—	ns
				Medium	50 pF	$(N^{(2)} \times t_{SYS}^{(3)}) - 32$	—	ns	
3	t <sub>ASC</sub>	CC	D	After SCK delay (LVDS SCK)	Very strong	PCS = 0 pF SCK = 25 pF	$(M^{(4)} \times t_{SYS}^{(3)}) - 8$	—	ns
					Strong	PCS = 0 pF SCK = 25 pF	$(M^{(4)} \times t_{SYS}^{(3)}) - 8$	—	ns
					Medium	PCS = 0 pF SCK = 25 pF	$(M^{(4)} \times t_{SYS}^{(3)}) - 8$	—	ns
4	t <sub>SDC</sub>	CC	D	SCK duty cycle <sup>(5)</sup>	LVDS	15 pF to 25 pF differential	$\frac{1}{2}t_{SCK} - 2$	$\frac{1}{2}t_{SCK} + 2$	ns
7	t <sub>SUI</sub>	CC	D	SIN setup time					
				SIN setup time to SCK CPHA = 0 <sup>(6)</sup>	SCK drive strength				
					LVDS	15 pF to 25 pF differential	$23 - (P^{(7)} \times t_{SYS}^{(3)})$	—	ns
	SIN setup time to SCK CPHA = 1 <sup>(6)</sup>	SCK drive strength							
LVDS		15 pF to 25 pF differential	23	—	ns				

**Table 55. DSPI LVDS master timing – full duplex – modified transfer format (MTFE = 1), CPHA = 0 or 1(Continued)**

#	Symbol	C	Characteristic	Condition		Value <sup>(1)</sup>		Unit	
				Pad drive	Load	Min	Max		
8	t <sub>HI</sub>	CC	D	SIN Hold Time					
				SIN hold time from SCK CPHA = 0 <sup>(6)</sup>	SCK drive strength				
					LVDS	0 pF differential	$1 + (P^{(7)} \times t_{SYS}^{(3)})$	—	ns
				SIN hold time from SCK CPHA = 1 <sup>(6)</sup>	SCK drive strength				
LVDS	0 pF differential	-1	—		ns				
9	t <sub>SUO</sub>	CC	D	SOUT data valid time (after SCK edge)					
				SOUT data valid time from SCK CPHA = 0 <sup>(8)</sup>	SOUT and SCK drive strength				
					LVDS	15 pF to 25 pF differential	—	7.0 + t <sub>SYS</sub> <sup>(3)</sup>	ns
				SOUT data valid time from SCK CPHA = 1 <sup>(8)</sup>	SOUT and SCK drive strength				
LVDS	15 pF to 25 pF differential	—	7.0		ns				
10	t <sub>HO</sub>	CC	D	SOUT data hold time (after SCK edge)					
				SOUT data hold time after SCK CPHA = 0 <sup>(8)</sup>	SOUT and SCK drive strength				
					LVDS	15 pF to 25 pF differential	-7.5 + t <sub>SYS</sub> <sup>(3)</sup>	—	ns
				SOUT data hold time after SCK CPHA = 1 <sup>(8)</sup>	SOUT and SCK drive strength				
LVDS	15 pF to 25 pF differential	-7.5	—		ns				

1. All timing values for output signals in this table are measured to 50% of the output voltage.
2. N is the number of clock cycles added to time between PCS assertion and SCK assertion and is software programmable using DSPI\_CTARx[PSSCK] and DSPI\_CTARx[CSSCK]. The minimum value is 2 cycles unless TSB mode or Continuous SCK clock mode is selected, in which case, N is automatically set to 0 clock cycles (PCS and SCK are driven by the same edge of DSPI\_CLKn).
3. t<sub>SYS</sub> is the period of DSPI\_CLKn clock, the input clock to the DSPI module. Maximum frequency is 100 MHz (min t<sub>SYS</sub> = 10 ns).
4. M is the number of clock cycles added to time between SCK negation and PCS negation and is software programmable using DSPI\_CTARx[PASC] and DSPI\_CTARx[ASC]. The minimum value is 2 cycles unless TSB mode or Continuous SCK clock mode is selected, in which case, M is automatically set to 0 clock cycles (PCS and SCK are driven by the same edge of DSPI\_CLKn).
5. t<sub>SDC</sub> is only valid for even divide ratios. For odd divide ratios the fundamental duty cycle is not 50:50. For these odd divide ratios cases, the absolute spec number is applied as jitter/uncertainty to the nominal high time and low time.
6. Input timing assumes an input slew rate of 1 ns (10% – 90%) and LVDS differential voltage = ±100 mV.
7. P is the number of clock cycles added to delay the DSPI input sample point and is software programmable using DSPI\_MCR[SMPL\_PT]. The value must be 0, 1 or 2. If the baud rate divide ratio is /2 or /3, this value is automatically set to 1.
8. SOUT Data Valid and Data hold are independent of load capacitance if SCK and SOUT load capacitances are the same value.



Figure 37. DSPI LVDS master mode – modified timing, CPHA = 0

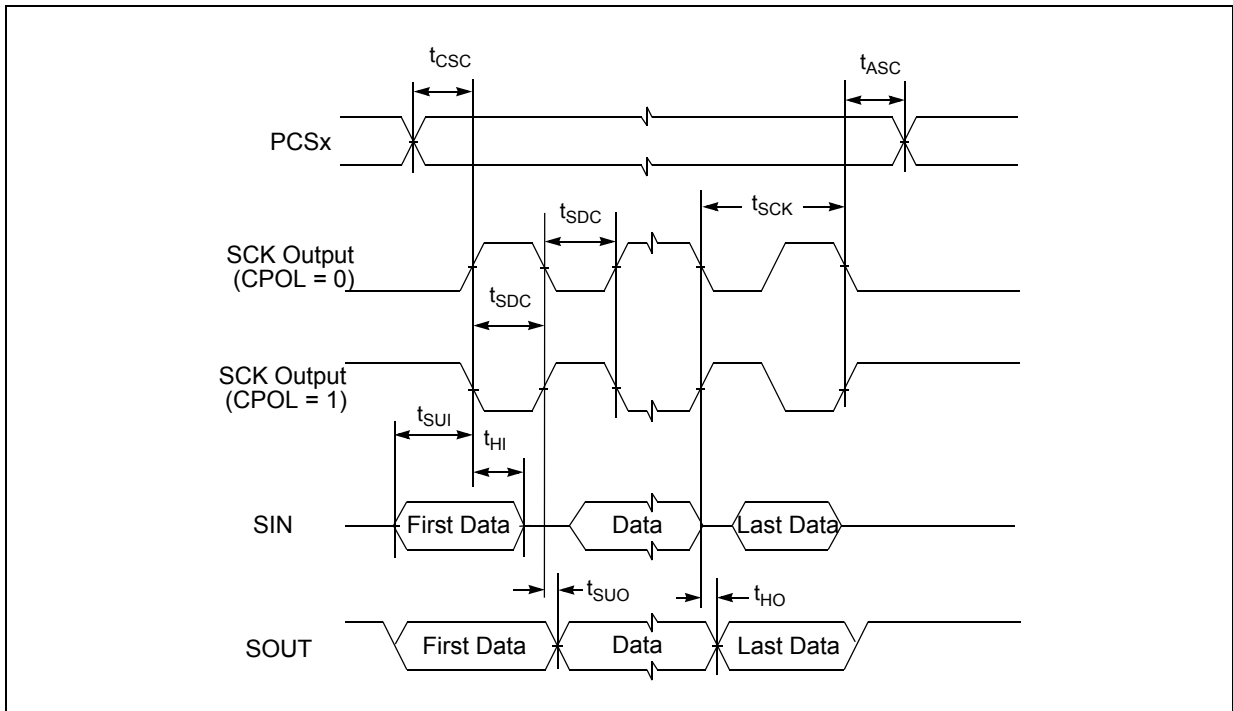
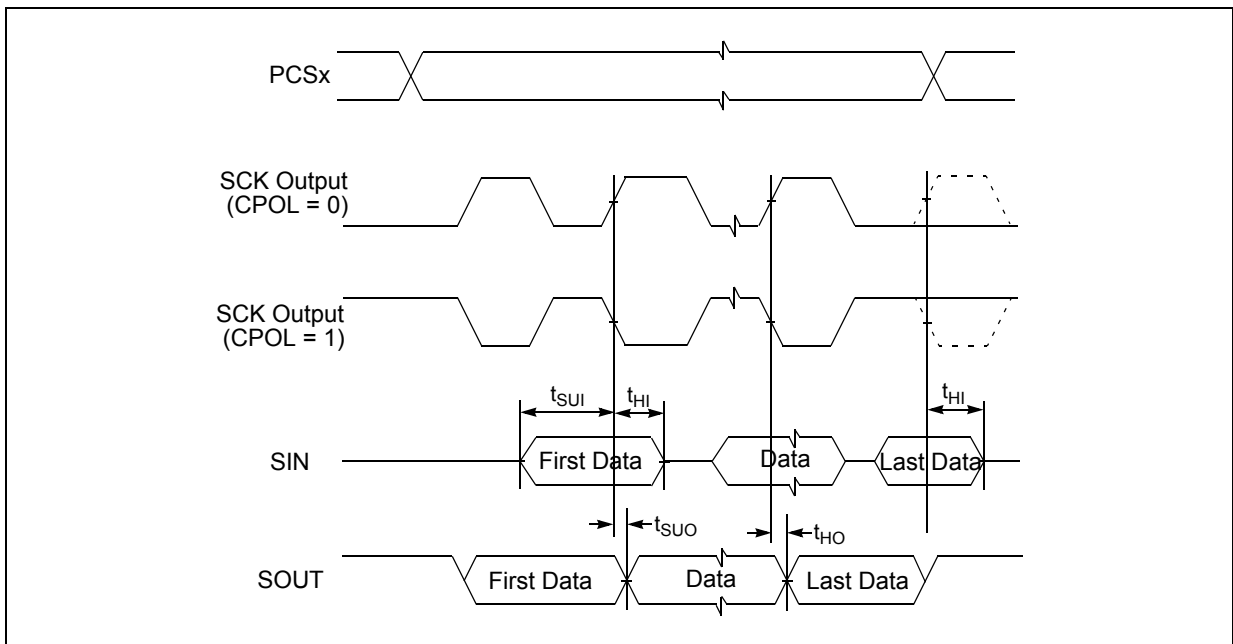


Figure 38. DSPI LVDS master mode – modified timing, CPHA = 1



3.19.2.1.4 DSPI Master Mode – Output Only

Table 56. DSPI LVDS master timing – output only – timed serial bus mode TSB = 1 or ITSB = 1, CPOL = 0 or 1, continuous SCK clock<sup>(1)(2)</sup>

#	Symbol		C	Characteristic	Condition		Value		Unit
					Pad drive	Load	Min	Max	
1	t <sub>SCK</sub>	CC	D	SCK cycle time	LVDS	15 pF to 50 pF differential	25.0	—	ns
2	t <sub>CSV</sub>	CC	D	PCS valid after SCK <sup>(3)</sup> (SCK with 50 pF differential load cap.)	Very strong	25 pF	—	6.0	ns
					Strong	50 pF	—	10.5	ns
3	t <sub>CSH</sub>	CC	D	PCS hold after SCK <sup>(3)</sup> (SCK with 50 pF differential load cap.)	Very strong	0 pF	-4.0	—	ns
					Strong	0 pF	-4.0	—	ns
4	t <sub>SDC</sub>	CC	D	SCK duty cycle (SCK with 50 pF differential load cap.)	LVDS	15 pF to 50 pF differential	$\frac{1}{2}t_{SCK} - 2$	$\frac{1}{2}t_{SCK} + 2$	ns
SOUT data valid time (after SCK edge)									
5	t <sub>SUO</sub>	CC	D	SOUT data valid time from SCK <sup>(4)</sup>	SOUT and SCK drive strength				
					LVDS	15 pF to 50 pF differential	—	3.5	ns
SOUT data hold time (after SCK edge)									
6	t <sub>HO</sub>	CC	D	SOUT data hold time after SCK <sup>(4)</sup>	SOUT and SCK drive strength				
					LVDS	15 pF to 50 pF differential	-3.5	—	ns

1. All DSPI timing specifications apply to pins when using LVDS pads for SCK and SOUT and CMOS pad for PCS with pad driver strength as defined. Timing may degrade for weaker output drivers.
2. TSB = 1 or ITSB = 1 automatically selects MTFE = 1 and CPHA = 1.
3. With TSB mode or Continuous SCK clock mode selected, PCS and SCK are driven by the same edge of DSPI\_CLKn. This timing value is due to pad delays and signal propagation delays.
4. SOUT Data Valid and Data hold are independent of load capacitance if SCK and SOUT load capacitances are the same value.

**Table 57. DSPI CMOS master timing – output only – timed serial bus mode TSB = 1 or ITSB = 1, CPOL = 0 or 1, continuous SCK clock<sup>(1)(2)</sup>**

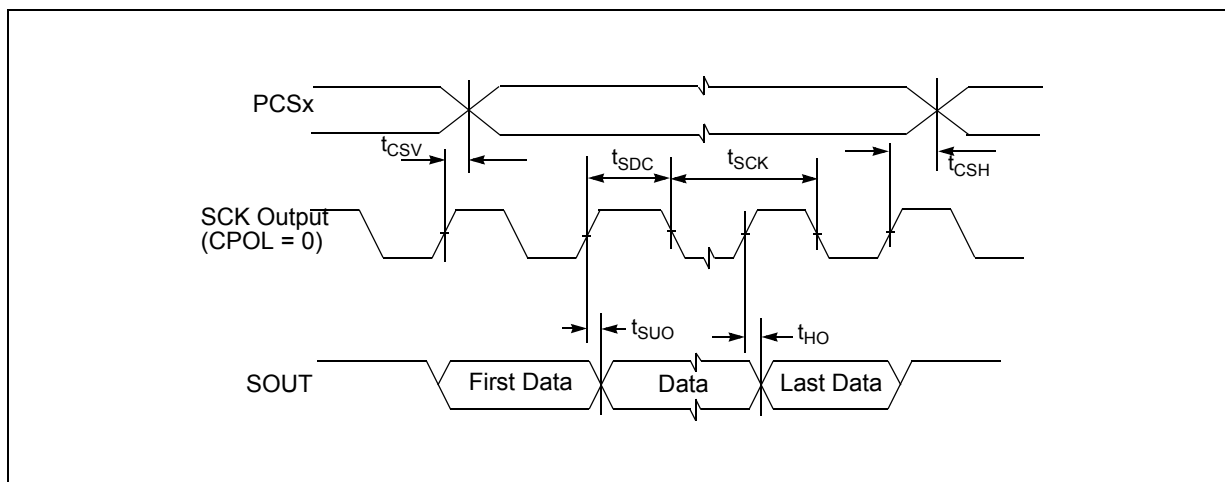
#	Symbol	C	Characteristic	Condition		Value <sup>(3)</sup>		Unit	
				Pad drive <sup>(4)</sup>	Load (C <sub>L</sub> )	Min	Max		
1	t <sub>SCK</sub>	CC	D	SCK cycle time	SCK drive strength				
					Very strong	25 pF	33.0	—	ns
					Strong	50 pF	80.0	—	ns
					Medium	50 pF	200.0	—	ns
2	t <sub>CSV</sub>	CC	D	PCS valid after SCK <sup>(5)</sup>	SCK and PCS drive strength				
					Very strong	25 pF	7	—	ns
					Strong	50 pF	8	—	ns
					Medium	50 pF	16	—	ns
3	t <sub>CSH</sub>	CC	D	PCS hold after SCK <sup>(5)</sup>	SCK and PCS drive strength				
					Very strong	PCS = 0 pF SCK = 50 pF	-14	—	ns
					Strong	PCS = 0 pF SCK = 50 pF	-14	—	ns
					Medium	PCS = 0 pF SCK = 50 pF	-33	—	ns
4	t <sub>SDC</sub>	CC	D	SCK duty cycle <sup>(6)</sup>	SCK drive strength				
					Very strong	0 pF	$\frac{1}{2}t_{SCK} - 2$	$\frac{1}{2}t_{SCK} + 2$	ns
					Strong	0 pF	$\frac{1}{2}t_{SCK} - 2$	$\frac{1}{2}t_{SCK} + 2$	ns
					Medium	0 pF	$\frac{1}{2}t_{SCK} - 5$	$\frac{1}{2}t_{SCK} + 5$	ns
SOUT data valid time (after SCK edge)									
9	t <sub>SUO</sub>	CC	D	SOUT data valid time from SCK CPHA = 1 <sup>(7)</sup>	SOUT and SCK drive strength				
					Very strong	25 pF	—	7.0	ns
					Strong	50 pF	—	8.0	ns
					Medium	50 pF	—	16.0	ns
SOUT data hold time (after SCK edge)									
10	t <sub>HO</sub>	CC	D	SOUT data hold time after SCK CPHA = 1 <sup>(7)</sup>	SOUT and SCK drive strength				
					Very strong	25 pF	-7.7	—	ns
					Strong	50 pF	-11.0	—	ns
					Medium	50 pF	-15.0	—	ns

1. TSB = 1 or ITSB = 1 automatically selects MTFE = 1 and CPHA = 1.



2. All output timing is worst case and includes the mismatching of rise and fall times of the output pads.
3. All timing values for output signals in this table are measured to 50% of the output voltage.
4. Timing is guaranteed to same drive capabilities for all signals, mixing of pad drives may reduce operating speeds and may cause incorrect operation.
5. With TSB mode or Continuous SCK clock mode selected, PCS and SCK are driven by the same edge of DSPi\_CLKn. This timing value is due to pad delays and signal propagation delays.
6.  $t_{SDC}$  is only valid for even divide ratios. For odd divide ratios the fundamental duty cycle is not 50:50. For these odd divide ratios cases, the absolute spec number is applied as jitter/uncertainty to the nominal high time and low time.
7. SOUT Data Valid and Data hold are independent of load capacitance if SCK and SOUT load capacitances are the same value.

**Figure 39. DSPI LVDS and CMOS master timing – output only – modified transfer format MTFE = 1, CHPA = 1**



### 3.19.2.2 Slave Mode timing

**Table 58. DSPI CMOS Slave timing - Modified Transfer Format (MTFE = 0/1)<sup>(1)</sup>**

#	Symbol	C	Characteristic	Condition		Min	Max	Unit	
				Pad Drive	Load				
1	$t_{SCK}$	CC	D	SCK Cycle Time <sup>(2)</sup>		62	—	ns	
2	$t_{CSC}$	SR	D	$\overline{SS}$ to SCK Delay <sup>(2)</sup>		16	—	ns	
3	$t_{ASC}$	SR	D	SCK to $\overline{SS}$ Delay <sup>(2)</sup>		16	—	ns	
4	$t_{SDC}$		D	SCK Duty Cycle <sup>(2)</sup>		30	—	ns	
5	$t_A$	CC	D	Slave Access Time <sup>(2),(3),(4)</sup> ( $\overline{SS}$ active to SOUT driven)	Very Strong	25 pF	—	50	ns
					Strong	50 pF	—	50	ns
					Medium	50 pF	—	60	ns
6	$t_{Dis}$	CC	D	Slave SOUT Disable Time <sup>(2),(3),(4)</sup> ( $\overline{SS}$ inactive to SOUT High-Z or invalid)	Very Strong	25 pF	—	5	ns
					Strong	50 pF	—	5	ns
					Medium	50 pF	—	10	ns

**Table 58. DSPI CMOS Slave timing - Modified Transfer Format (MFE = 0/1)<sup>(1)</sup>(Continued)**

#	Symbol	C	Characteristic	Condition		Min	Max	Unit	
				Pad Drive	Load				
9	$t_{SUI}$	CC	D	Data Setup Time for Inputs <sup>(2)</sup>	—	—	10	—	ns
10	$t_{HI}$	CC	D	Data Hold Time for Inputs <sup>(2)</sup>	—	—	10	—	ns
11	$t_{SUO}$	CC	D	SOUT Valid Time <sup>(2),(3),(4)</sup> (after SCK edge)	Very Strong	25 pF	—	30	ns
					Strong	50 pF	—	30	ns
					Medium	50 pF	—	50	ns
12	$t_{HO}$	CC	D	SOUT Hold Time <sup>(2),(3),(4)</sup> (after SCK edge)	Very Strong	25 pF	2.5	—	ns
					Strong	50 pF	2.5	—	ns
					Medium	50 pF	2.5	—	ns

1. DSPI slave operation is only supported for a single master and single slave on the device. Timing is valid for that case only.
2. Input timing assumes an input slew rate of 1 ns (10% - 90%) and uses TTL / Automotive voltage thresholds.
3. All timing values for output signals in this table, are measured to 50% of the output voltage.
4. All output timing is worst case and includes the mismatching of rise and fall times of the output pads.

**Figure 40. DSPI Slave Mode - Modified transfer format timing (MFE = 0/1)—CPHA = 0**

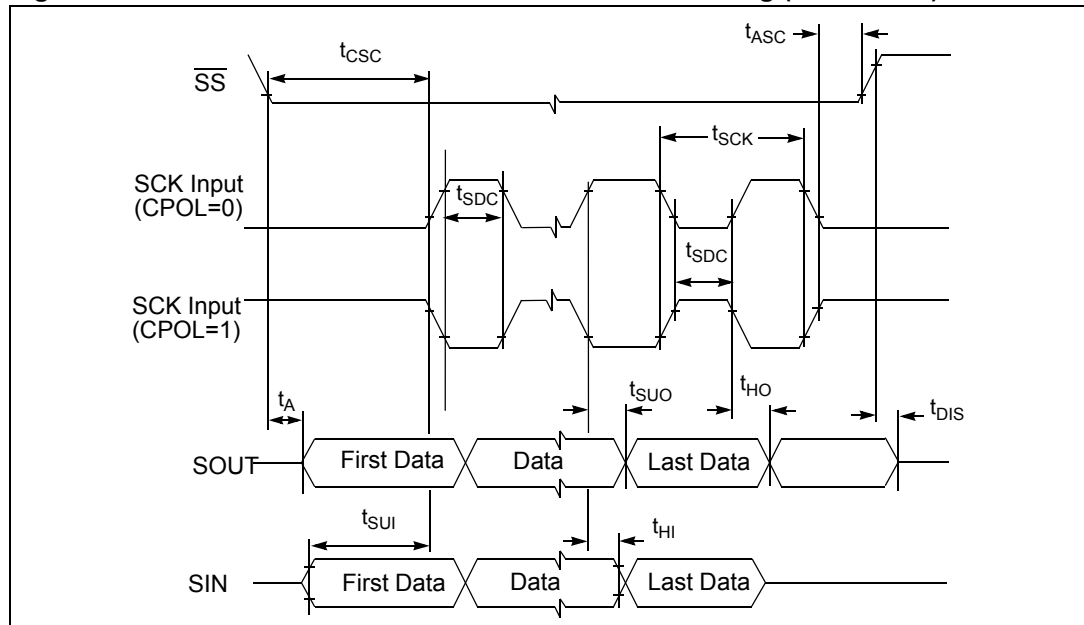
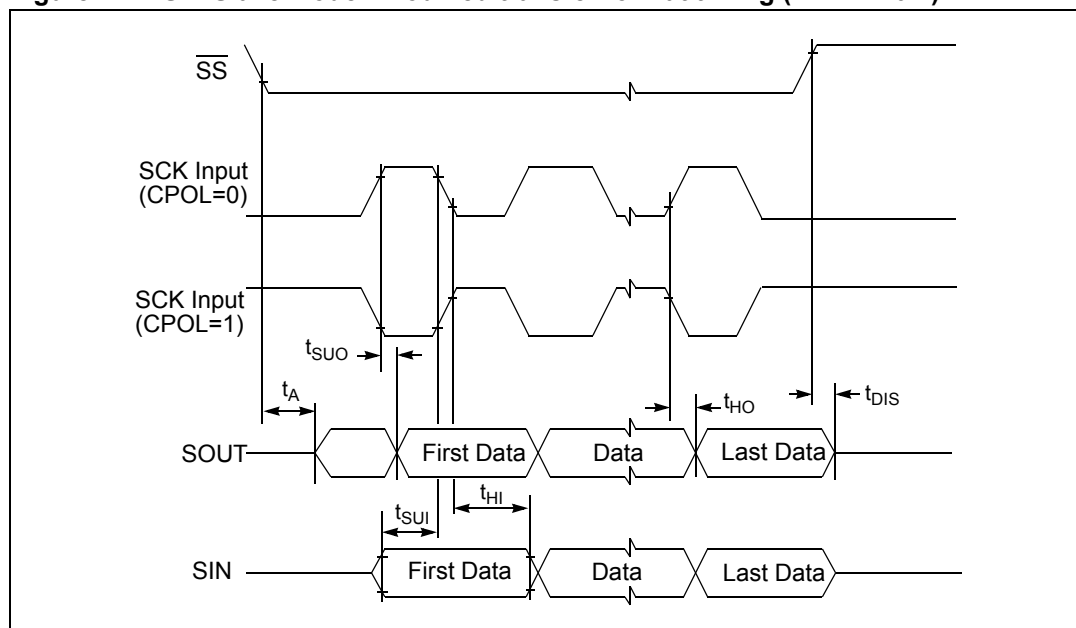


Figure 41. DSPI Slave Mode - Modified transfer format timing (MFTE = 0/1)—CPHA = 1



### 3.19.3 FEC timing

The FEC provides RMII in the eLQFP176 and FusionQuad<sup>®</sup> packages. RMII signals can be configured for either CMOS or TTL signal levels compatible with devices operating at either 5.0 V or 3.3 V.

#### 3.19.3.1 RMII serial management channel timing (MDIO and MDC)

The FEC functions correctly with a maximum MDC frequency of 2.5 MHz.

Table 59. RMII serial management channel timing<sup>(1)(2)</sup>

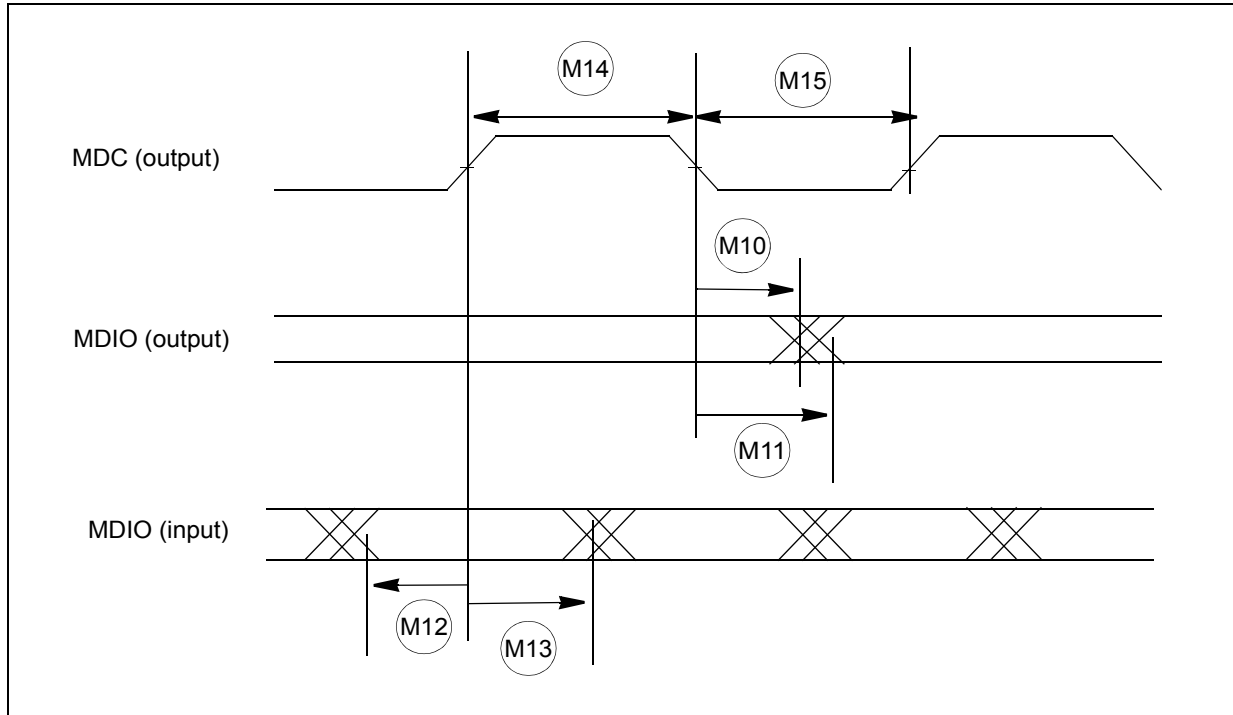
Symbol	C	Characteristic	Value <sup>(3)</sup>		Unit
			Min	Max	
M10	CC	D	MDC falling edge to MDIO output invalid (minimum propagation delay)		ns
M11	CC	D	MDC falling edge to MDIO output valid (max prop delay)		ns
M12	CC	D	MDIO (input) to MDC rising edge setup		ns
M13	CC	D	MDIO (input) to MDC rising edge hold		ns
M14	CC	D	40%	60%	MDC period
M15	CC	D	40%	60%	MDC period

1. All timing specifications are referenced from MDC = 1.4 V (TTL levels) to the valid input and output levels, 0.8 V and 2.0 V (TTL levels). For 5 V operation, timing is referenced from MDC = 50% to 2.2 V/3.5 V input and output levels.
2. RMII timing is valid only up to a maximum of 150 °C junction temperature.



- Output parameters are valid for  $C_L = 25 \text{ pF}$ , where  $C_L$  is the external load to the device. The internal package capacitance is accounted for, and need not be subtracted from the 25 pF value. Care should be taken to align external load on MDIO and MDC.

Figure 42. RMI serial management channel timing diagram



### 3.19.3.2 RMI receive signal timing (RXD[1:0], CRS\_DV)

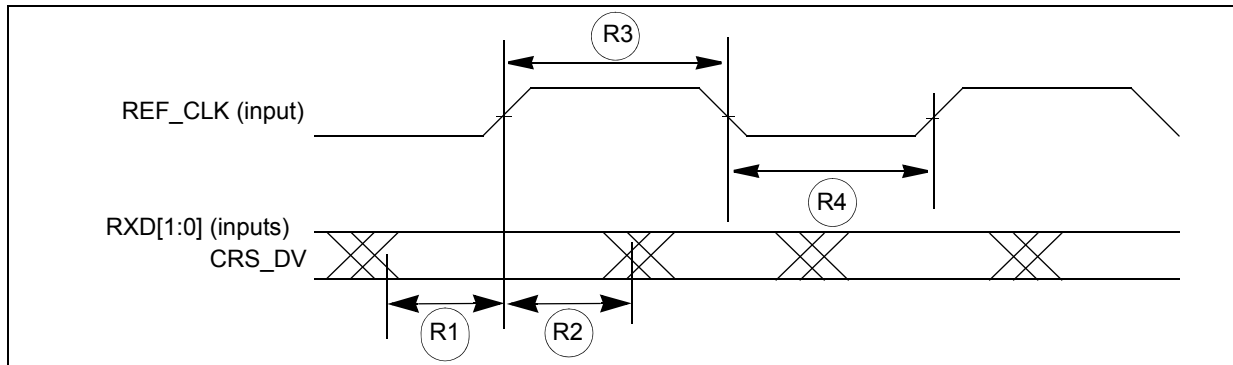
The receiver functions correctly up to a REF\_CLK maximum frequency of 50 MHz +1%. There is no minimum frequency requirement. The system clock frequency must be at least equal to or greater than the RX\_CLK frequency, which is half that of the REF\_CLK frequency.

Table 60. RMI receive signal timing<sup>(1)(2)</sup>

Symbol	C	Characteristic	Value		Unit
			Min	Max	
R1	CC	D	RXD[1:0], CRS_DV to REF_CLK setup		ns
R2	CC	D	REF_CLK to RXD[1:0], CRS_DV hold		ns
R3	CC	D	35%	65%	REF_CLK period
R4	CC	D	35%	65%	REF_CLK period

- All timing specifications are referenced from REF\_CLK = 1.4 V to the valid input levels, 0.8 V and 2.0 V.
- RMI timing is valid only up to a maximum of 150 °C junction temperature.

Figure 43. RMII receive signal timing diagram



3.19.3.3 RMII transmit signal timing (TXD[1:0], TX\_EN)

The transmitter functions correctly up to a REF\_CLK maximum frequency of 50 MHz + 1%. There is no minimum frequency requirement. The system clock frequency must be at least equal to or greater than the TX\_CLK frequency, which is half that of the REF\_CLK frequency.

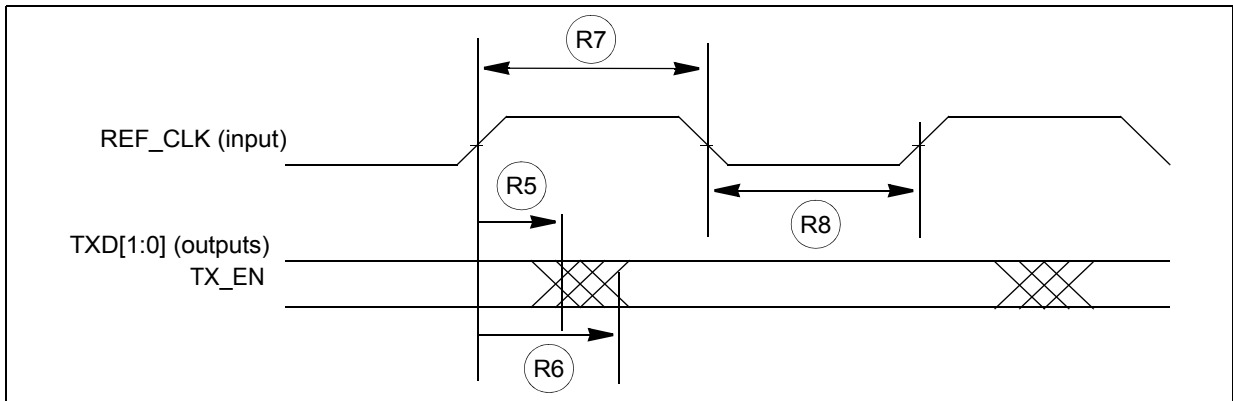
The transmit outputs (TXD[1:0], TX\_EN) can be programmed to transition from either the rising or falling edge of REF\_CLK, and the timing is the same in either case. This options allows the use of non-compliant RMII PHYs.

Table 61. RMII transmit signal timing<sup>(1)(2)</sup>

Symbol	C	Characteristic	Value <sup>(3)</sup>		Unit	
			Min	Max		
R5	CC	D	REF_CLK to TXD[1:0], TX_EN invalid	2	—	ns
R6	CC	D	REF_CLK to TXD[1:0], TX_EN valid	—	16	ns
R7	CC	D	REF_CLK pulse width high	35%	65%	REF_CLK period
R8	CC	D	REF_CLK pulse width low	35%	65%	REF_CLK period

1. RMII timing is valid only up to a maximum of 150 °C junction temperature.
2. CL = 25pF, VDD\_HV\_IO\_FLEX = 3.3V +/- 5% and CMOS levels are required for the REF\_CLK input. For CL = 15pF, VDD\_HV\_IO\_FLEX = 3.3V +/- 10%, CMOS or TTL levels for the REF\_CLK input.
3. C<sub>L</sub> is the external load to the device. The internal package capacitance is accounted for, and does not need to be subtracted from the 25 pF value.

Figure 44. RMII transmit signal timing diagram



### 3.19.4 FlexRay timing

This section provides the FlexRay Interface timing characteristics for the input and output signals.

These are recommended numbers as per the FlexRay EPL v3.0 specification, and subject to change per the final timing analysis of the device.

#### 3.19.4.1 TxEN

Figure 45. TxEN signal

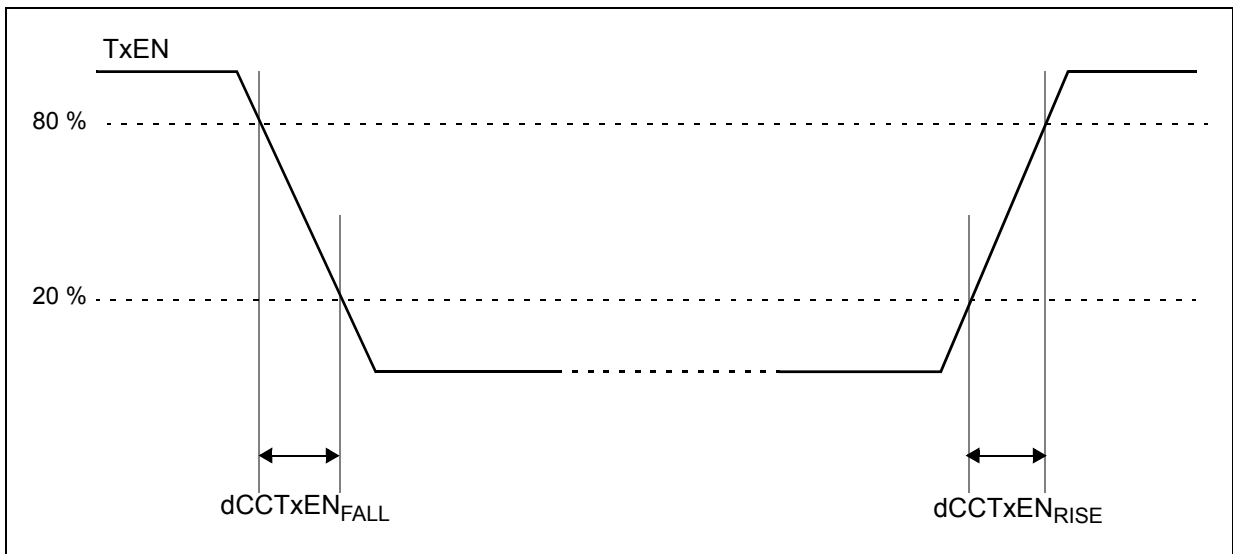


Table 62. TxEN output characteristics<sup>(1)</sup>

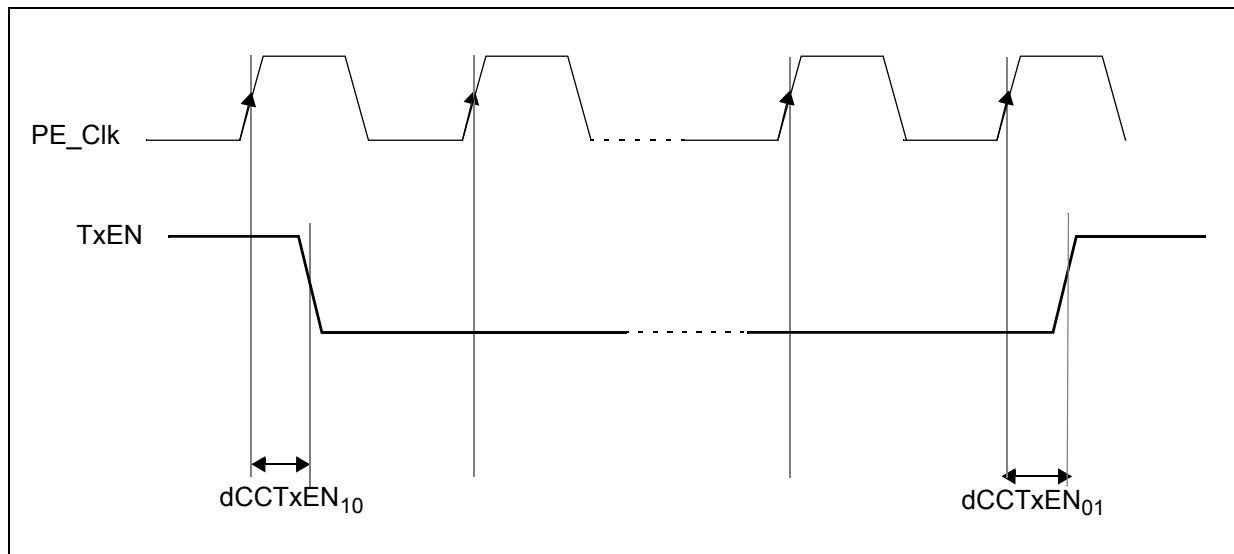
Symbol	C	Characteristic	Value		Unit
			Min	Max	
dCCTxEN <sub>RISE25</sub>	CC	D	—	9	ns
dCCTxEN <sub>FALL25</sub>	CC	D	—	9	ns

Table 62. TxEN output characteristics<sup>(1)</sup>(Continued)

Symbol	C	D	Characteristic	Value		Unit
				Min	Max	
dCCTxEN <sub>01</sub>	CC	D	Sum of delay between Clk to Q of the last FF and the final output buffer, rising edge	—	25	ns
dCCTxEN <sub>10</sub>	CC	D	Sum of delay between Clk to Q of the last FF and the final output buffer, falling edge	—	25	ns

1. TxEN pin load maximum 25 pF

Figure 46. TxEN signal propagation delays



3.19.4.2 TxD

Figure 47. TxD signal

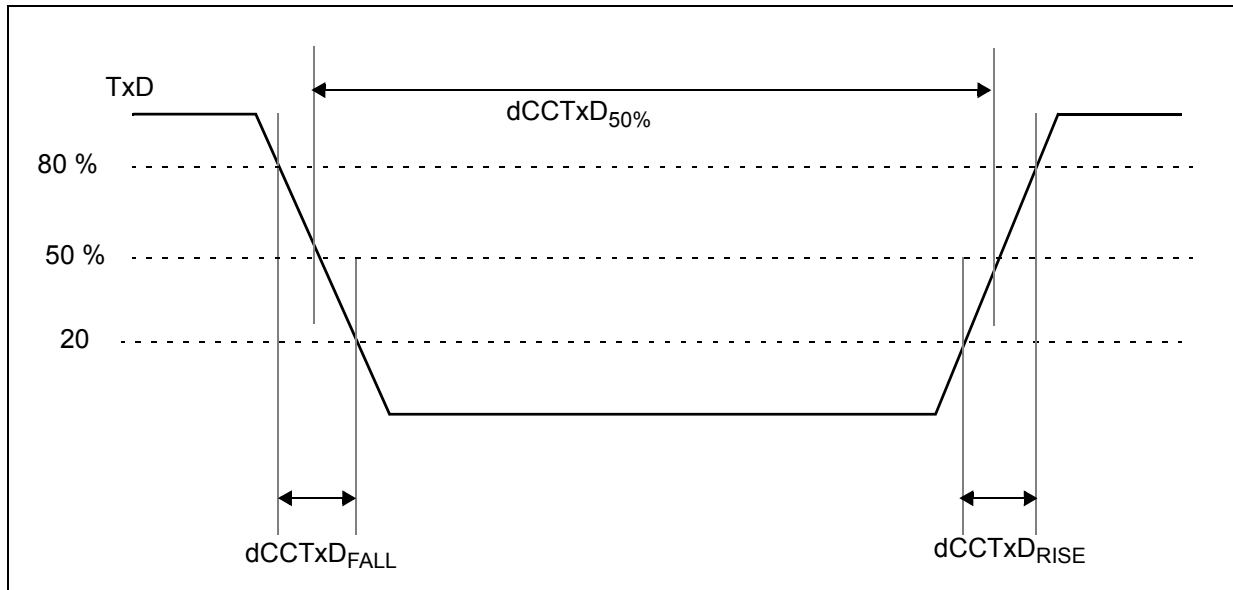
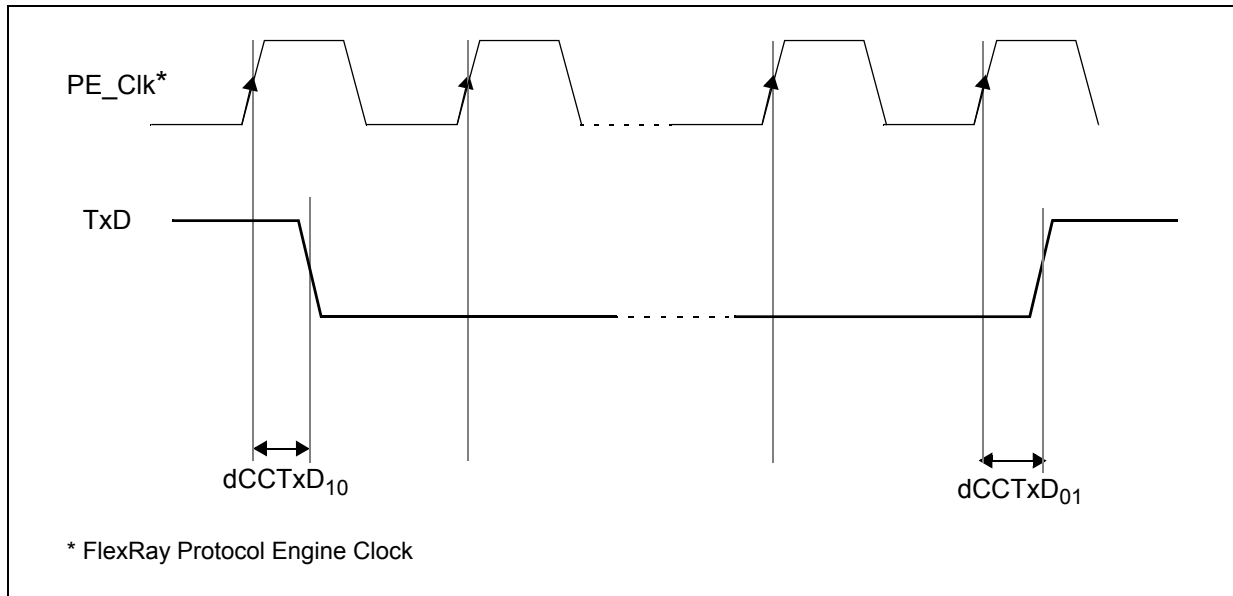


Table 63. TxD output characteristics<sup>(1)(2)</sup>

Symbol	C	Characteristic	Value		Unit
			Min	Max	
$dCCTxAsym$	CC	D	-2.45	2.45	ns
$dCCTxD_{RISE25}+dCCTxD_{FALL25}$	CC	D	—	$g^{(5)}$	ns
		D	—	$g^{(6)}$	
$dCCTxD_{01}$	CC	D	—	25	ns
$dCCTxD_{10}$	CC	D	—	25	ns

1. TxD pin load maximum 25 pF.
2. Specifications valid according to FlexRay EPL 3.0.1 standard with 20%–80% levels and a 10pF load at the end of a 50 Ohm, 1 ns stripline. Please refer to the Very Strong I/O pad specifications.
3. Pad configured as VERY STRONG.
4. Sum of transition time simulation is performed according to Electrical Physical Layer Specification 3.0.1 and the entire temperature range of the device has been taken into account.
5.  $V_{DD\_HV\_IO} = 5.0\text{ V} \pm 10\%$ , Transmission line  $Z = 50\text{ ohms}$ ,  $t_{delay} = 1\text{ ns}$ ,  $C_L = 10\text{ pF}$
6.  $V_{DD\_HV\_IO} = 3.3\text{ V} \pm 10\%$ , Transmission line  $Z = 50\text{ ohms}$ ,  $t_{delay} = 0.6\text{ ns}$ ,  $C_L = 10\text{ pF}$

Figure 48. TxD Signal propagation delays



3.19.4.3 RxD

Table 64. RxD input characteristics<sup>(1)</sup>

Symbol	C	Characteristic	Value		Unit
			Min	Max	
C_CCRxD	CC	D	Input capacitance on RxD pin		pF
uCCLogic_1	CC	D	35	70	%
uCCLogic_0	CC	D	30	65	%
dCCRxD01	CC	D	Sum of delay from actual input to the D input of the first FF, rising edge		ns
dCCRxD10	CC	D	Sum of delay from actual input to the D input of the first FF, falling edge		ns
dCCRxAsymAccept15	CC	D	-31.5	44	ns
dCCRxAsymAccept25	CC	D	-30.5	43	ns

1. FlexRay RxD timing is valid for CMOS input levels, hysteresis disabled, and  $4.5\text{ V} \leq V_{DD\_HV\_IO} \leq 5.5\text{ V}$ .

3.19.5 PSI5 timing

The following table describes the PSI5 timing.

**Table 65. PSI5 timing**

Symbol		C	Parameter	Value		Unit
				Min	Max	
t <sub>MSG_DLY</sub>	CC	D	Delay from last bit of frame (CRC0) to assertion of new message received interrupt	—	3	µs
t <sub>SYNC_DLY</sub>	CC	D	Delay from internal sync pulse to sync pulse trigger at the SDOUT_PSI5_n pin	—	2	µs
t <sub>MSG_JIT</sub>	CC	D	Delay jitter from last bit of frame (CRC0) to assertion of new message received interrupt	—	1	cycles <sup>(1)</sup>
t <sub>SYNC_JIT</sub>	CC	D	Delay jitter from internal sync pulse to sync pulse trigger at the SDOUT_PSI5_n pin	—	±(1 PSI5_1µs_CLK + 1 PBRIDGE_n_CLK)	cycles

1. Measured in PSI5 clock cycles (PBRIDGE\_n\_CLK on the device). Minimum PSI5 clock period is 20 ns.

### 3.19.6 UART timing

UART channel frequency support is shown in the following table.

**Table 66. UART frequency support**

LINFlexD clock frequency LIN_CLK (MHz)	Oversampling rate	Voting scheme	Max usable frequency (Mbaud)
80	16	3:1 majority voting	5
	8		10
	6	Limited voting on one sample with configurable sampling point	13.33
	5		16
	4		20
100	16	3:1 majority voting	6.25
	8		12.5
	6	Limited voting on one sample with configurable sampling point	16.67
	5		20
	4		25

### 3.19.7 I<sup>2</sup>C timing

The I<sup>2</sup>C AC timing specifications are provided in the following tables.

**Table 67. I<sup>2</sup>C input timing specifications — SCL and SDA<sup>(1)</sup>**

No.	Symbol	C	Parameter	Value		Unit	
				Min	Max		
1	—	CC	D	Start condition hold time	2	—	PER_CLK Cycle <sup>(2)</sup>
2	—	CC	D	Clock low time	8	—	PER_CLK Cycle

**Table 67. I<sup>2</sup>C input timing specifications — SCL and SDA<sup>(1)</sup>(Continued)**

No.	Symbol	C	Parameter	Value		Unit	
				Min	Max		
3	—	CC	D	Bus free time between Start and Stop condition	4.7	—	µs
4	—	CC	D	Data hold time	0.0	—	ns
5	—	CC	D	Clock high time	4	—	PER_CLK Cycle
6	—	CC	D	Data setup time	0.0	—	ns
7	—	CC	D	Start condition setup time (for repeated start condition only)	2	—	PER_CLK Cycle
8	—	CC	D	Stop condition setup time	2	—	PER_CLK Cycle

1. I<sup>2</sup>C input timing is valid for Automotive and TTL inputs levels, hysteresis enabled, and an input edge rate no slower than 1 ns (10% – 90%).
2. PER\_CLK is the SoC peripheral clock, which drives the I<sup>2</sup>C BIU and module clock inputs. See the Clocking chapter in the device reference manual for more detail.

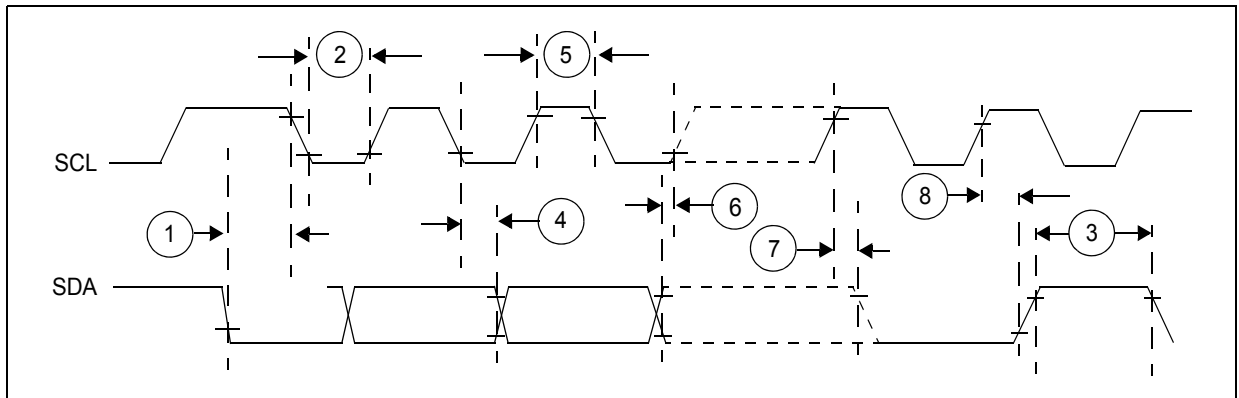
**Table 68. I<sup>2</sup>C output timing specifications — SCL and SDA<sup>(1)(2)(3)(4)</sup>**

No.	Symbol	C	Parameter	Value		Unit	
				Min	Max		
1	—	CC	D	Start condition hold time	6	—	PER_CLK Cycle <sup>(5)</sup>
2	—	CC	D	Clock low time	10	—	PER_CLK Cycle
3	—	CC	D	Bus free time between Start and Stop condition	4.7	—	µs
4	—	CC	D	Data hold time	7	—	PER_CLK Cycle
5	—	CC	D	Clock high time	10	—	PER_CLK Cycle
6	—	CC	D	Data setup time	2	—	PER_CLK Cycle
7	—	CC	D	Start condition setup time (for repeated start condition only)	20	—	PER_CLK Cycle
8	—	CC	D	Stop condition setup time	10	—	PER_CLK Cycle

1. All output timing is worst case and includes the mismatching of rise and fall times of the output pads.
2. Output parameters are valid for CL = 25 pF, where CL is the external load to the device (lumped). The internal package capacitance is accounted for, and does not need to be subtracted from the 25 pF value.
3. Timing is guaranteed to same drive capabilities for all signals, mixing of pad drives may reduce operating speeds and may cause incorrect operation.
4. Programming the IBFD register (I<sup>2</sup>C bus Frequency Divider) with the maximum frequency results in the minimum output timings listed. The I<sup>2</sup>C interface is designed to scale the data transition time, moving it to the middle of the SCL low period. The actual position is affected by the pre-scale and division values programmed in the IBC field of the IBFD register.
5. PER\_CLK is the SoC peripheral clock, which drives the I<sup>2</sup>C BIU and module clock inputs. See the Clocking chapter in the device reference manual for more detail.



Figure 49. I<sup>2</sup>C input/output timing



### 3.19.8 GPIO delay timing

The GPIO delay timing specification is provided in the following table.

Table 69. GPIO delay timing

Symbol	C	Parameter	Value		Unit
			Min	Max	
IO_delay	CC	D	5	25	ns

## 4 Package characteristics

The following table lists the case numbers for each available package for the device.

**Table 70. Package case numbers**

Package Type	Device Type	Package reference
eTQFP144	Production	7386636
FQ172	Emulation	8153717
eLQFP176	Production	8391697
FQ216	Emulation	8338897

### 4.1 ECOPACK®

In order to meet environmental requirements, ST offers these devices in different grades of ECOPACK® packages, depending on their level of environmental compliance. ECOPACK® specifications, grade definitions and product status are available at: [www.st.com](http://www.st.com). ECOPACK® is an ST trademark.

### 4.2 eTQFP144 case drawing

Figure 50. eTQFP144 – STMicroelectronics package mechanical drawing (1 of 2)

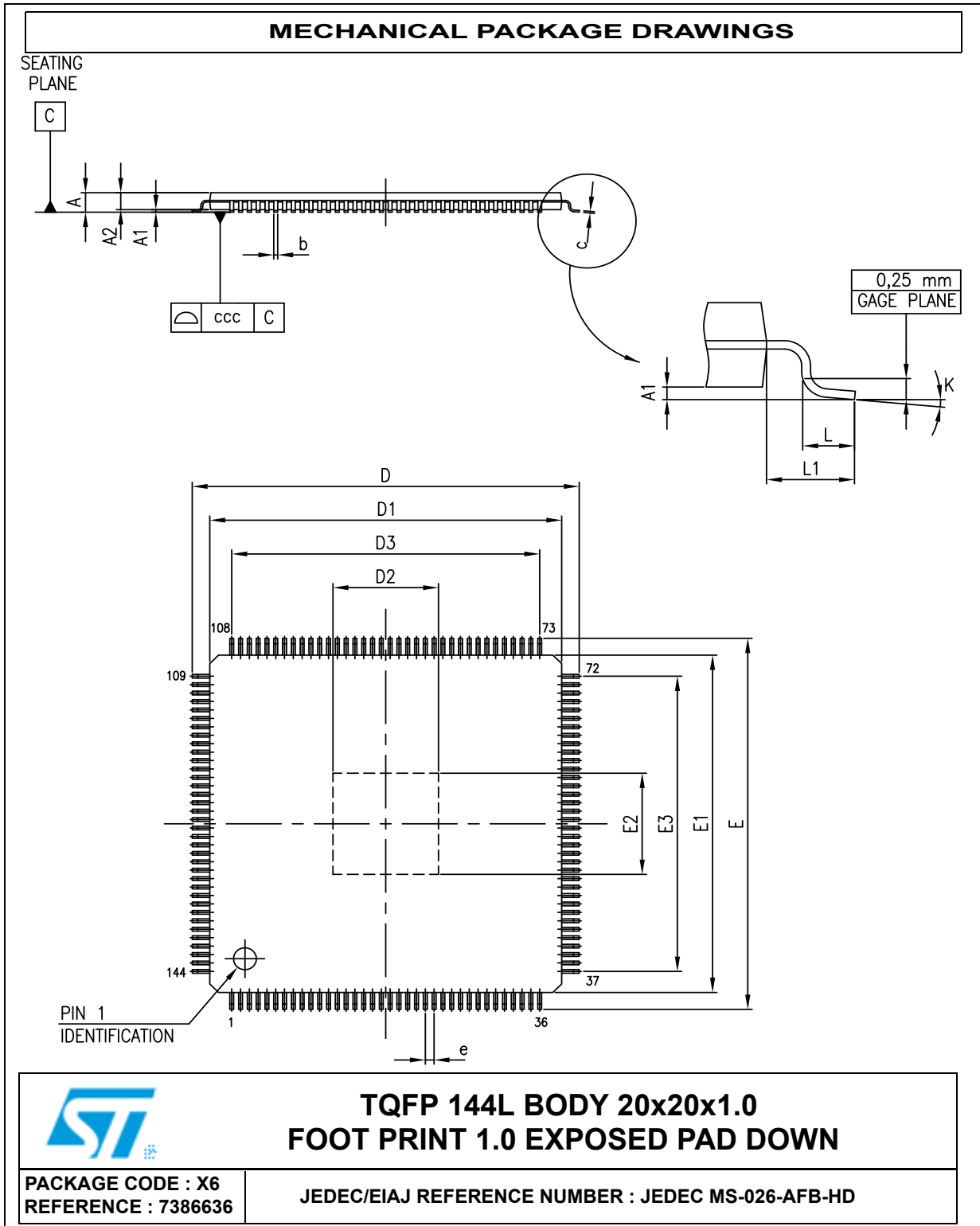


Figure 51. eTQFP144 – STMicroelectronics package mechanical drawing (2 of 2)

Symbol	Dimensions					
	Millimeters			Inches <sup>(1)</sup>		
	Min	Typ	Max	Min	Typ	Max
A	—	—	1.20	—	—	0.047
A1	0.05	—	0.15	0.002	—	0.006
A2	0.95	1.00	1.05	0.037	0.039	0.041
b	0.17	0.22	0.27	0.007	0.009	0.011
c	0.09	—	0.20	0.004	—	0.008
D	21.80	22.00	22.20	0.858	0.866	0.874
D1	19.80	20.00	20.20	0.780	0.787	0.795
D2 <sup>(2)</sup>	—	7.35	—	—	0.289	—
D3	—	17.50	—	—	0.689	—
E	21.80	22.00	22.20	0.858	0.866	0.874
E1	19.80	20.00	20.20	0.780	0.787	0.795
E2	—	7.35	—	—	0.289	—
E3 <sup>(2)</sup>	—	17.50	—	—	0.689	—
e	—	0.50	—	—	0.020	—
L <sup>(3)</sup>	0.45	0.60	0.75	0.018	0.024	0.030
L1	—	1.00	—	—	0.039	—
k	0.0°	3.5°	7.0°	0.0°	3.5°	7.0°
ccc <sup>(4)</sup>	0.08			0.003		

1. Values in inches are converted from millimeters (mm) and rounded to four decimal digits.
2. The size of exposed pad is variable depending of leadframe design pad size.
3. L dimension is measured at gauge plane at 0.25 above the seating plane.
4. Tolerance

### 4.3 eLQFP176 case drawing

Figure 52. eLQFP176 – STMicroelectronics package mechanical drawing (1 of 2)

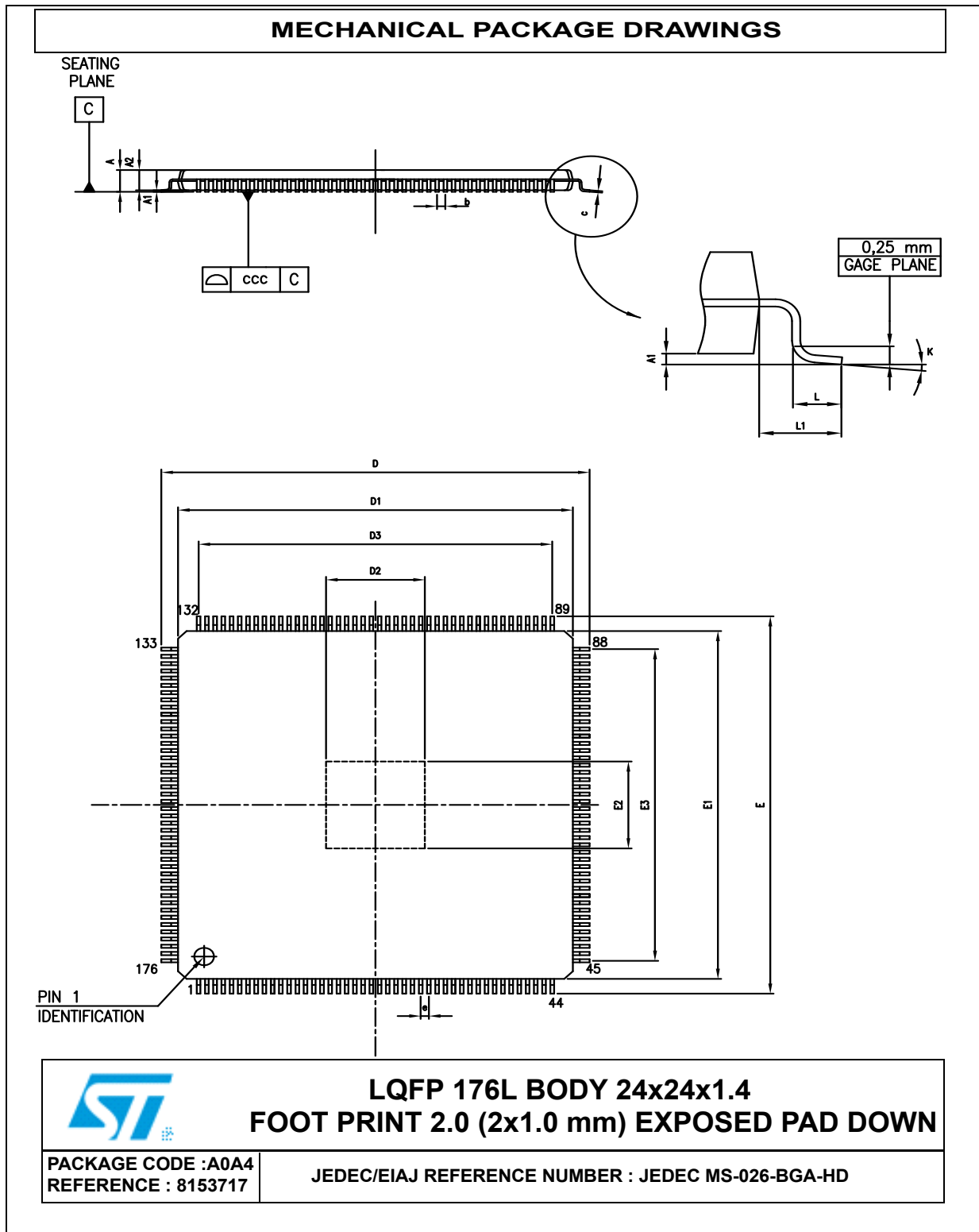


Figure 53. eLQFP176 – STMicroelectronics package mechanical drawing (2 of 2)

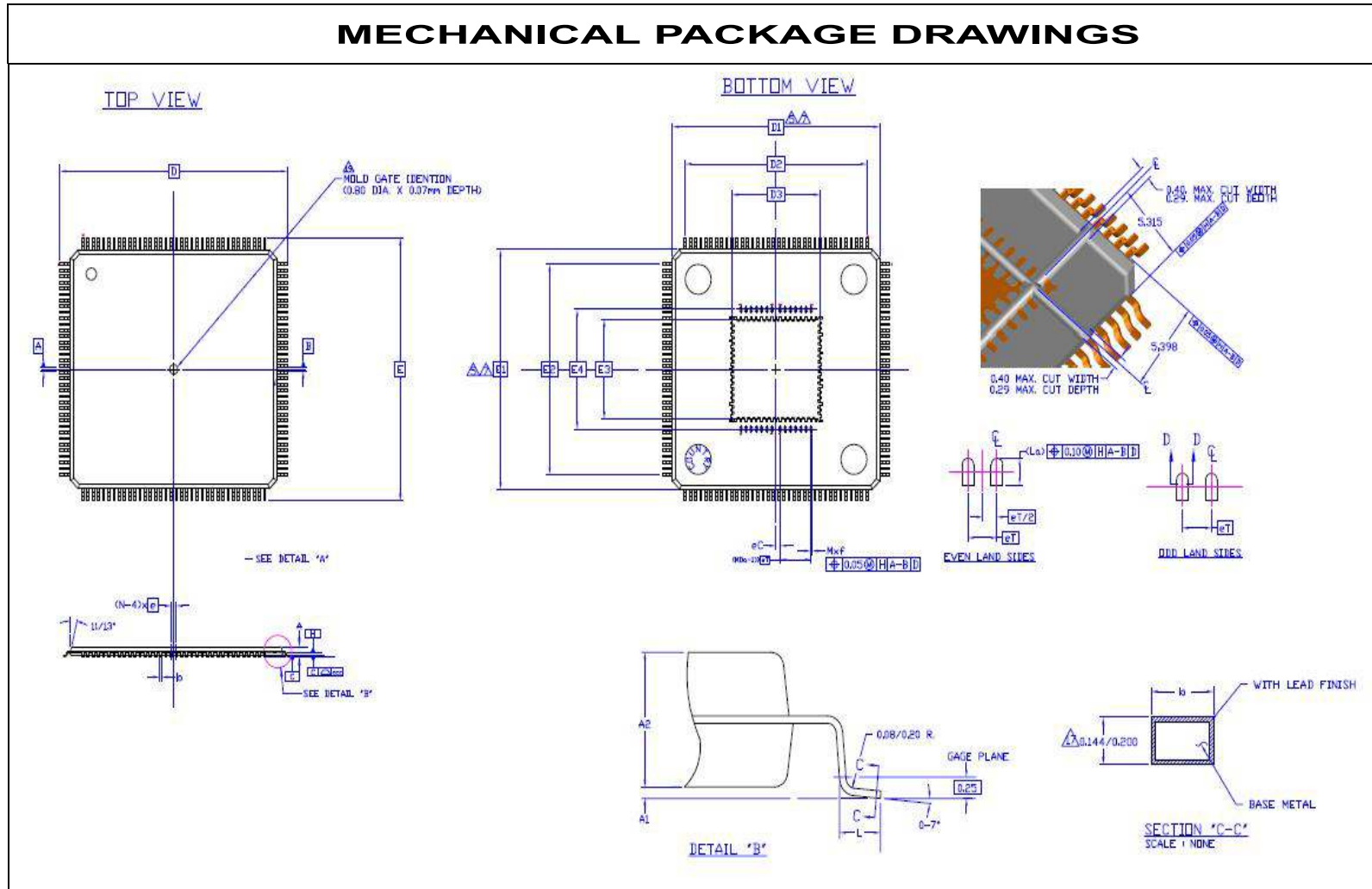
Symbol	Dimensions					
	Millimeters			Inches <sup>(1)</sup>		
	Min	Typ	Max	Min	Typ	Max
A	—	—	1.60	—	—	0.063
A1	0.05	—	0.15	0.002	—	0.006
A2	1.35	1.40	1.45	0.053	0.055	0.057
b	0.17	0.22	0.27	0.007	0.009	0.011
c	0.09	—	0.20	0.004	—	0.008
D	25.80	26.00	26.20	1.016	1.024	1.032
D1	23.90	24.00	24.10	0.941	0.945	0.949
D2 <sup>(2)</sup>	—	7.35	—	—	0.289	—
D3	—	21.500	—	—	0.847	—
E	25.80	26.00	26.20	1.016	1.024	1.032
E1	23.90	24.00	24.10	0.941	0.945	0.949
E2 <sup>(2)</sup>	—	7.35	—	—	0.289	—
E3	—	21.50	—	—	0.847	—
e	—	0.50	—	—	0.020	—
L <sup>(3)</sup>	0.45	0.60	0.75	0.018	0.024	0.030
L1	—	1.00	—	—	0.039	—
k	0.0°	3.5°	7.0°	0.0°	3.5°	7.0°
ccc <sup>(4)</sup>	0.080			0.003		

1. Values in inches are converted from millimeters (mm) and rounded to four decimal digits.
2. The size of exposed pad is variable depending of leadframe design pad size.
3. L dimension is measured at gauge plane at 0.25 above the seating plane.
4. Tolerance

## 4.4 FusionQuad<sup>®</sup> case drawing



Figure 54. FusionQuad® QFP172 package mechanical drawing (1 of 2)



PACKAGE CODE : A0SX  
REFERENCE : 8391697

**FusionQuad® 144+28L 20x20x1.0 0.5 mm Pitch**

Figure 55. FusionQuad® QFP172 package mechanical drawing (2 of 2)

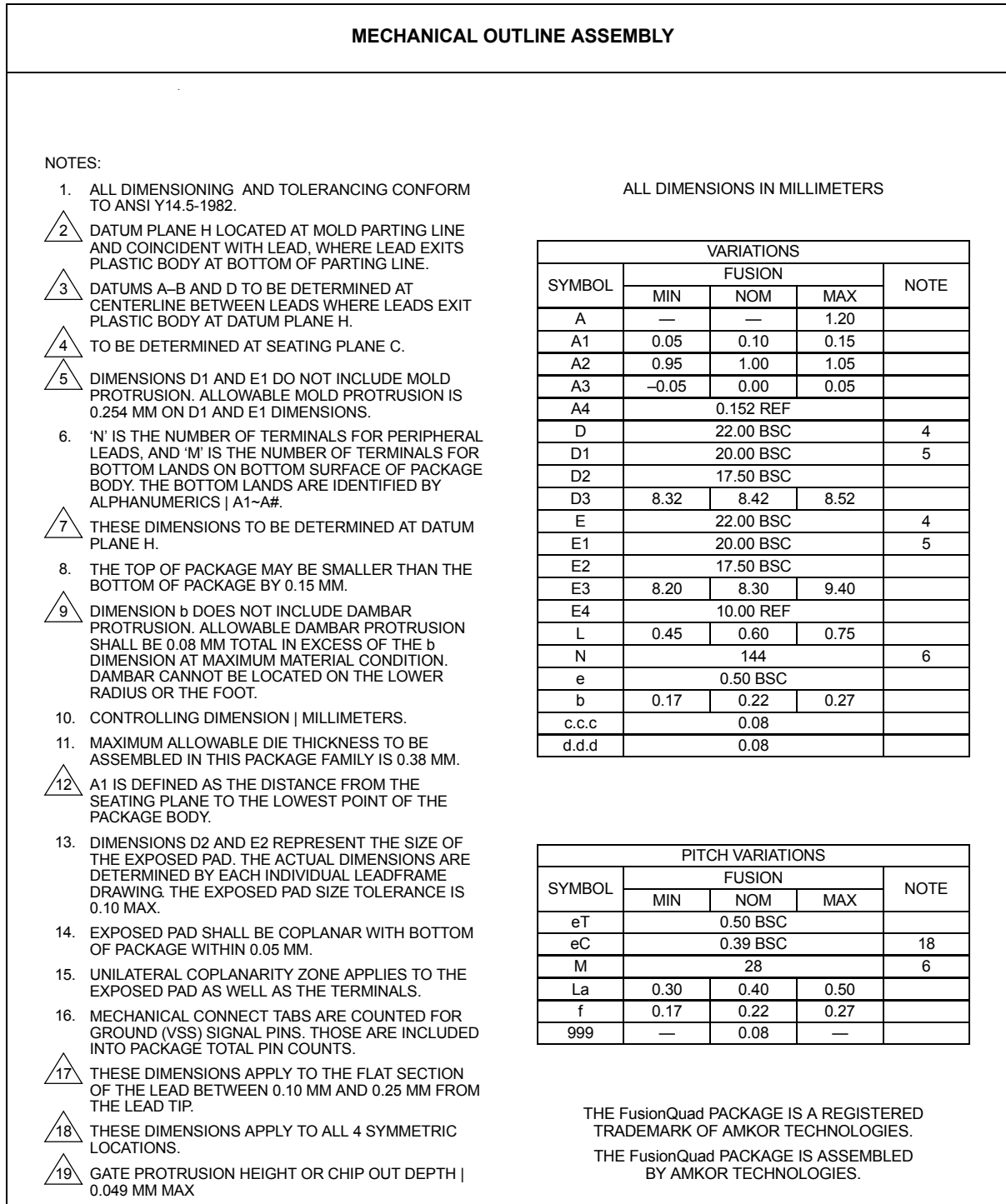
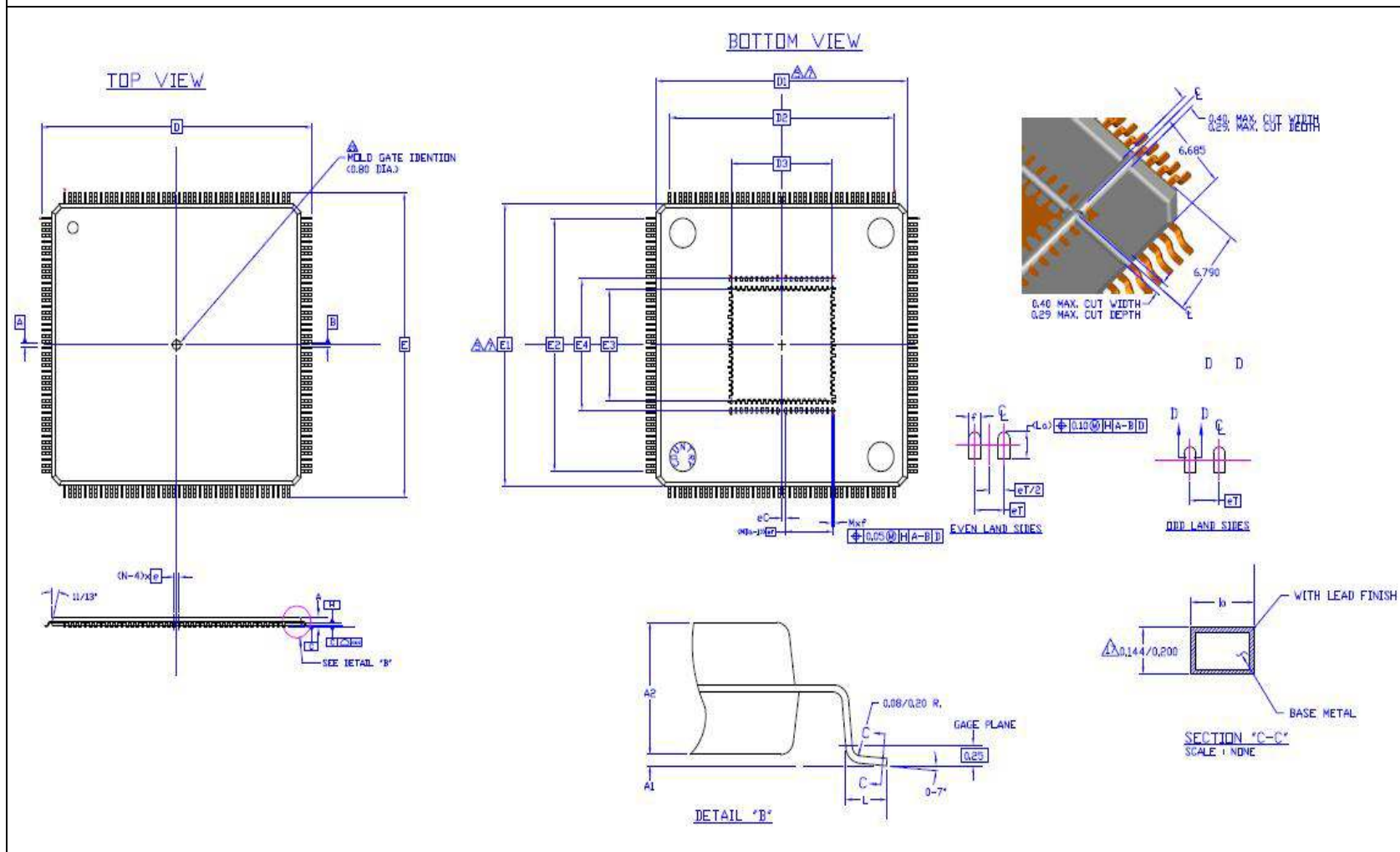




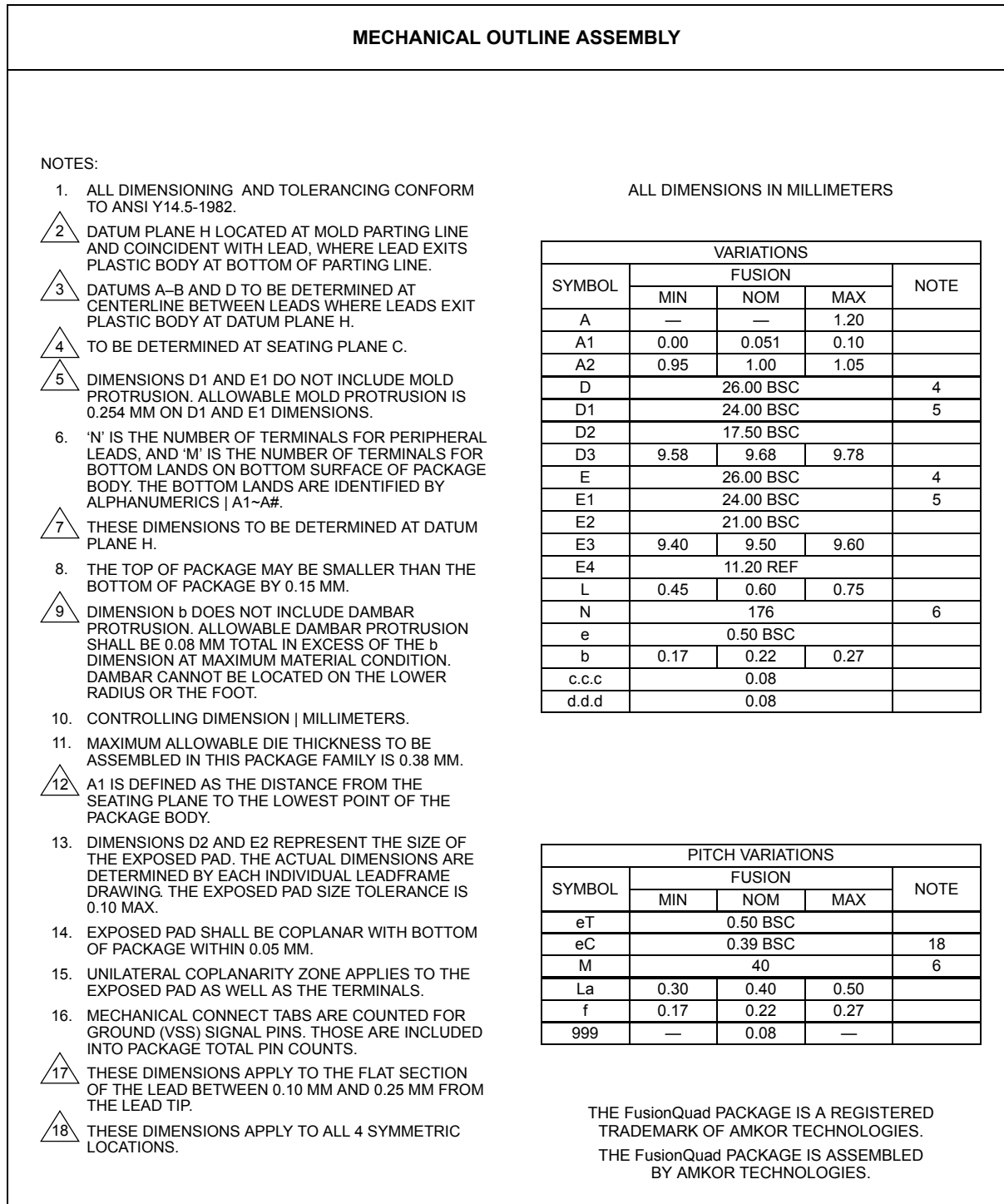
Figure 56. FusionQuad® QFP216 package mechanical drawing (1 of 2)



**FusionQuad® 176+40L 24x24x1.0 0.5 mm Pitch**

PACKAGE CODE: A0HX  
REFERENCE : 8338897

Figure 57. FusionQuad® QFP216 package mechanical drawing (2 of 2)



## 4.5 Thermal characteristics

The following tables describe the thermal characteristics of the device.

**Table 71. Thermal characteristics for eTQFP144<sup>(1)</sup>**

Symbol	C	D	Parameter	Conditions	Value		Unit
					Min	Max	
$R_{\theta JA}$	CC	D	Junction-to-ambient, natural convection <sup>(2)</sup>	Four layer board—2s2p	26	29	°C/W
$R_{\theta JMA}$	CC	D	Junction-to-moving-air, ambient <sup>(2)</sup>	At 200 ft./min., four layer board—2s2p	19	23	°C/W
$R_{\theta JB}$	CC	D	Junction-to-board <sup>(3)</sup>	—	12	16	°C/W
$R_{\theta JCTop}$	CC	D	Junction-to-case top <sup>(4)</sup>	—	10	13	°C/W
$R_{\theta JCbottm}$	CC	D	Junction-to-case bottom <sup>(5)</sup>	—	1.5	4	°C/W
$\Psi_{JT}$	CC	D	Junction-to-package top <sup>(6)</sup>	Natural convection	3	5	°C/W
$P_d$	CC	D	Device power dissipation	Maximum power and voltage condition	—	2	W

1. The lower number in the ranges specified in the 'Value' column are based on simulation; actual data may vary in the given range. The specified characteristics are subject to change per final device design and characterization. Junction temperature is a function of die size, on-chip power dissipation, package thermal resistance, mounting site (board) temperature, ambient temperature, air flow, power dissipation of other components on the board, and board thermal resistance.
2. Per JEDEC JESD51-6 with the board (JESD51-7) horizontal.
3. Thermal resistance between the die and the printed circuit board per JEDEC JESD51-8. Board temperature is measured on the top surface of the board near the package.
4. Thermal resistance between the die and the case top surface as measured by the cold plate method (MIL SPEC-883 Method 1012.1).
5. Thermal resistance between the die and the solder pad on the bottom of the package based on simulation without any interface resistance.
6. Thermal characterization parameter indicating the temperature difference between package top and the junction temperature per JEDEC JESD51-2.

**Table 72. Thermal characteristics for eLQFP176<sup>(1)</sup>**

Symbol	C	D	Parameter	Conditions	Value		Unit
					Min	Max	
R <sub>θJA</sub>	CC	D	Junction-to-ambient, natural convection <sup>(2)</sup>	Four layer board—2s2p	25	28	°C/W
R <sub>θJMA</sub>	CC	D	Junction-to-moving-air, ambient <sup>(2)</sup>	At 200 ft./min., four layer board—2s2p	18	22	°C/W
R <sub>θJB</sub>	CC	D	Junction-to-board <sup>(3)</sup>	—	12	16	°C/W
R <sub>θJCTop</sub>	CC	D	Junction-to-case top <sup>(4)</sup>	—	12	15	°C/W
R <sub>θJCbottom</sub>	CC	D	Junction-to-case bottom <sup>(5)</sup>	—	1.5	3.5	°C/W
Ψ <sub>JT</sub>	CC	D	Junction-to-package top <sup>(6)</sup>	Natural convection	3	4.5	°C/W
P <sub>d</sub>	CC	D	Device power dissipation	Maximum power and voltage condition	—	2	W

1. The lower number in the ranges specified in the 'Value' column are based on simulation; actual data may vary in the given range. The specified characteristics are subject to change per final device design and characterization. Junction temperature is a function of die size, on-chip power dissipation, package thermal resistance, mounting site (board) temperature, ambient temperature, air flow, power dissipation of other components on the board, and board thermal resistance.
2. Per JEDEC JESD51-6 with the board (JESD51-7) horizontal.
3. Thermal resistance between the die and the printed circuit board per JEDEC JESD51-8. Board temperature is measured on the top surface of the board near the package.
4. Thermal resistance between the die and the case top surface as measured by the cold plate method (MIL SPEC-883 Method 1012.1).
5. Thermal resistance between the die and the solder pad on the bottom of the package based on simulation without any interface resistance.
6. Thermal characterization parameter indicating the temperature difference between package top and the junction temperature per JEDEC JESD51-2.

### 4.5.1 General notes for specifications at maximum junction temperature

An estimation of the chip junction temperature, T<sub>J</sub>, can be obtained from the equation:

**Equation 3**  $T_J = T_A + (R_{\theta JA} * P_D)$

where:

- T<sub>A</sub> = ambient temperature for the package (°C)
- R<sub>θJA</sub> = junction-to-ambient thermal resistance (°C/W)
- P<sub>D</sub> = power dissipation in the package (W)

The thermal resistance values used are based on the JEDEC JESD51 series of standards to provide consistent values for estimations and comparisons. The difference between the values determined for the single-layer (1s) board compared to a four-layer board that has two signal layers, a power and a ground plane (2s2p), demonstrate that the effective thermal resistance is not a constant. The thermal resistance depends on the:

- Construction of the application board (number of planes)
- Effective size of the board which cools the component
- Quality of the thermal and electrical connections to the planes
- Power dissipated by adjacent components



Connect all the ground and power balls to the respective planes with one via per ball. Using fewer vias to connect the package to the planes reduces the thermal performance. Thinner planes also reduce the thermal performance. When the clearance between the vias leave the planes virtually disconnected, the thermal performance is also greatly reduced.

As a general rule, the value obtained on a single-layer board is within the normal range for the tightly packed printed circuit board. The value obtained on a board with the internal planes is usually within the normal range if the application board has:

- One oz. (35 micron nominal thickness) internal planes
- Components are well separated
- Overall power dissipation on the board is less than 0.02 W/cm<sup>2</sup>

The thermal performance of any component depends on the power dissipation of the surrounding components. In addition, the ambient temperature varies widely within the application. For many natural convection and especially closed box applications, the board temperature at the perimeter (edge) of the package is approximately the same as the local air temperature near the device. Specifying the local ambient conditions explicitly as the board temperature provides a more precise description of the local ambient conditions that determine the temperature of the device.

At a known board temperature, the junction temperature is estimated using the following equation:

$$\text{Equation 4 } T_J = T_B + (R_{\theta JB} * P_D)$$

where:

$T_B$  = board temperature for the package perimeter (°C)

$R_{\theta JB}$  = junction-to-board thermal resistance (°C/W) per JESD51-8

$P_D$  = power dissipation in the package (W)

When the heat loss from the package case to the air does not factor into the calculation, the junction temperature is predictable if the application board is similar to the thermal test condition, with the component soldered to a board with internal planes.

The thermal resistance is expressed as the sum of a junction-to-case thermal resistance plus a case-to-ambient thermal resistance:

$$\text{Equation 5 } R_{\theta JA} = R_{\theta JC} + R_{\theta CA}$$

where:

$R_{\theta JA}$  = junction-to-ambient thermal resistance (°C/W)

$R_{\theta JC}$  = junction-to-case thermal resistance (°C/W)

$R_{\theta CA}$  = case to ambient thermal resistance (°C/W)

$R_{\theta JC}$  is device related and is not affected by other factors. The thermal environment can be controlled to change the case-to-ambient thermal resistance,  $R_{\theta CA}$ . For example, change the air flow around the device, add a heat sink, change the mounting arrangement on the printed circuit board, or change the thermal dissipation on the printed circuit board surrounding the device. This description is most useful for packages with heat sinks where 90% of the heat flow is through the case to heat sink to ambient. For most packages, a better model is required.

A more accurate two-resistor thermal model can be constructed from the junction-to-board thermal resistance and the junction-to-case thermal resistance. The junction-to-case

thermal resistance describes when using a heat sink or where a substantial amount of heat is dissipated from the top of the package. The junction-to-board thermal resistance describes the thermal performance when most of the heat is conducted to the printed circuit board. This model can be used to generate simple estimations and for computational fluid dynamics (CFD) thermal models. More accurate compact Flotherm models can be generated upon request.

To determine the junction temperature of the device in the application on a prototype board, use the thermal characterization parameter ( $\Psi_{JT}$ ) to determine the junction temperature by measuring the temperature at the top center of the package case using the following equation:

**Equation 6**  $T_J = T_T + (\Psi_{JT} \times P_D)$

where:

$T_T$  = thermocouple temperature on top of the package (°C)

$\Psi_{JT}$  = thermal characterization parameter (°C/W)

$P_D$  = power dissipation in the package (W)

The thermal characterization parameter is measured in compliance with the JESD51-2 specification using a 40-gauge type T thermocouple epoxied to the top center of the package case. Position the thermocouple so that the thermocouple junction rests on the package. Place a small amount of epoxy on the thermocouple junction and approximately 1 mm of wire extending from the junction. Place the thermocouple wire flat against the package case to avoid measurement errors caused by the cooling effects of the thermocouple wire.

When board temperature is perfectly defined below the device, it is possible to use the thermal characterization parameter ( $\Psi_{JPB}$ ) to determine the junction temperature by measuring the temperature at the bottom center of the package case (exposed pad) using the following equation:

**Equation 7**  $T_J = T_B + (\Psi_{JPB} \times P_D)$

where:

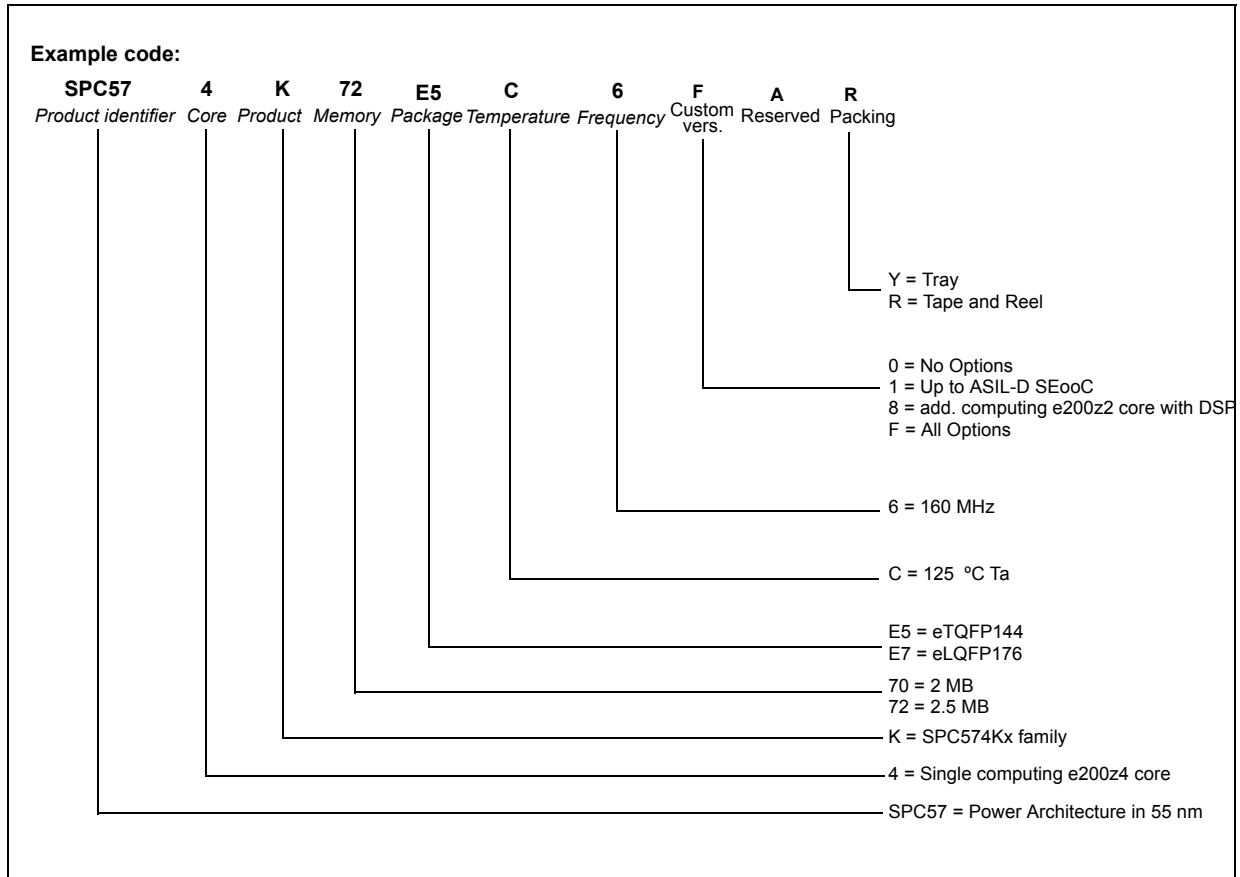
$T_B$  = thermocouple temperature on bottom of the package (°C)

$\Psi_{JPB}$  = thermal characterization parameter (°C/W)

$P_D$  = power dissipation in the package (W)

# 5 Ordering information

Figure 58. Product code structure



1. Order on 2M-Byte part numbers can be entered upon ST's acceptance conditioned by volumes. Please contact your ST sales office to ask for the availability of a particular commercial product.
2. Features (e.g. flash, RAM or peripherals) not included in the commercial product cannot be used. ST cannot be called to take any liability for features used outside the commercial product.

## 6 Revision history

**Table 74. Revision history**

Revision	Date	Description of changes
1	28 Oct 2011	Initial release
2	30 Aug 2012	<p>Editorial and formatting changes throughout</p> <p>SPC574Kxx Microcontroller Data Sheet title page: added chip part numbers</p> <p>Harmonized package naming</p> <p><a href="#">Section 1.3, Device feature summary</a>: modified title (was “Device comparison”)</p> <p>Replaced “Family comparison” table with <a href="#">Table 2 (MPC5744K/SPC574Kx device feature summary)</a></p> <p>Updated <a href="#">Figure 1 (Block diagram)</a></p> <p>Updated <a href="#">Figure 2 (Periphery allocation)</a></p> <p><a href="#">Section 1.5, Feature overview</a>:</p> <ul style="list-style-type: none"> <li>– Updated code flash memory size from 2048 KB code to 2560 KB</li> <li>– Updated BAF feature description</li> <li>– Updated BAM feature description</li> <li>– Replaced instance of “K2” with “MPC5744K/SPC574K72”</li> </ul> <p><a href="#">Figure ()</a>:</p> <ul style="list-style-type: none"> <li>– Modified names of pins 10, 23, A15, A22, and 125</li> <li>– Replaced “A1–A28 are the additional FQ172 FQ pins” with “V<sub>SS</sub>” in the middle box</li> <li>– Added notes 3 and 4</li> </ul> <p><a href="#">Figure 4 (176-pin QFP and 216-pin FQ configuration (top view))</a>:</p> <ul style="list-style-type: none"> <li>– Changed name of pin A23, A40, 153, and 154</li> <li>– Replaced “A1–A40” are the additional FQ172 FQ pins” with “V<sub>SS</sub>” in the middle box</li> <li>– Added notes 3 and 4</li> </ul> <p>Removed Table “Power supply and reference pins” and added reference to the JPC5744M IO Signal Table.xlsx</p> <p><a href="#">Table 3 (System pins)</a>: updated TESTMODE pin description</p> <p><a href="#">Table 4 (LVDSM pin descriptions)</a>: updated pin number column header</p> <p><a href="#">Table 5 (LVDSF pin descriptions)</a>: updated pin number column header</p> <p>Updated <a href="#">Section 2.2.4, Generic pins</a></p> <p><a href="#">Section 3, Electrical characteristics</a>: removed section “Thermal characteristics” (section transferred to <a href="#">Section 4, Package characteristics</a>)</p> <p>Updated <a href="#">Section 3.1, Introduction</a></p> <ul style="list-style-type: none"> <li>– Following note removed: “All parameter values in this document are tested with nominal supply voltage values (<math>V_{DD\_LV} = 1.25\text{ V}</math>, <math>V_{DD\_HV} = 5.0\text{ V} \pm 10\%</math>, <math>V_{DD\_HV\_IO} = 5.0\text{ V} \pm 10\%</math> or <math>3.3\text{ V} \pm 10\%</math>) and <math>T_A = -40</math> to <math>125\text{ }^\circ\text{C}</math> unless otherwise specified.”. Operating conditions will appear elsewhere in the data sheet.</li> <li>– Following footnote on <math>V_{DD\_LV}</math> in above note removed: “Refer to the LVD specification.”</li> <li>– <math>V_{DD\_HV\_OSC}</math> deleted from note (list of supply pins)</li> </ul> <p>Updated <a href="#">Table 6 (Absolute maximum ratings)</a></p> <p>Updated <a href="#">Table 8 (Radiated emissions testing specification,)</a></p> <p><a href="#">Table 9 (Conducted emissions testing specifications)</a>: reworded footnote referencing effect of 25/50 MHz clocks on BISS port limits</p> <p>Added <a href="#">Table 10 (RF immunity—Direct Power Injection (DPI) test specifications)</a></p> <p><a href="#">Table 11 (ESD ratings)</a>: Added classification column</p> <p><a href="#">Table 14 (Temperature profile – Packaged parts)</a>: corrected temperature range in “Passenger cars - low end” (was <math>T_A = 80</math> to <math>95\text{ }^\circ\text{C}</math>, is <math>T_A = 80</math> to <math>85\text{ }^\circ\text{C}</math>); updated “Total operation time” value in “Passenger cars - low end”</p>



Table 74. Revision history(Continued)

Revision	Date	Description of changes
2 (cont'd)	30 Aug 2012	<p><a href="#">Table 15 (Unbiased temperature profile – Packaged parts)</a>: replaced instance of “–40 to –60 °C” with “–40 to 60 °C”</p> <p>Updated <a href="#">Table 12 (Device operating conditions)</a></p> <p>Updated <a href="#">Table 16 (DC electrical specifications)</a>:</p> <ul style="list-style-type: none"> <li>– Updated the max values</li> <li>– Added condition values in I<sub>DDAPP</sub> row</li> <li>– Added second condition in T<sub>J</sub> &lt; 165 °C to I<sub>DDAPP</sub> row</li> <li>– Removed I<sub>INACT_D</sub> and TA (T<sub>L</sub> to T<sub>H</sub>) rows</li> </ul> <p>Revised <a href="#">Section 3.9, I/O pad specification</a></p> <p>Updated <a href="#">Section 3.9.1, I/O input DC characteristics</a></p> <p><a href="#">Table 18 (I/O input DC electrical characteristics)</a>:</p> <ul style="list-style-type: none"> <li>– Added cross reference for SENT requirement to note 5</li> <li>– Footnote moved to header of “INPUT CHARACTERISTICS” section: “For LFAST, microsecond bus and LVDS input characteristics, refer to dedicated communication module chapters.”</li> </ul> <p>Updated <a href="#">Section 3.9.2, I/O output DC characteristics</a></p> <p>Added <a href="#">Section 3.10, I/O pad current specification</a></p> <p><a href="#">Table 19 (I/O pull-up/pull-down DC electrical characteristics)</a>:</p> <ul style="list-style-type: none"> <li>–  I<sub>WPU</sub>  parameter description changed: “Weak pull-up/down current absolute value” (was “Weak pull-up current absolute value”)</li> <li>–  I<sub>WPU</sub>  specification condition changed: V<sub>DD_POR</sub> &lt; V<sub>DD_HV_IO</sub> &lt; 3.0 V (was V<sub>DD_POR</sub> &lt; V<sub>DD</sub> &lt; 3.0 V)</li> </ul> <p><a href="#">Table 21 (MEDIUM configuration output buffer electrical characteristics)</a></p> <ul style="list-style-type: none"> <li>– New specification: I<sub>DCMAX_M</sub> (Maximum DC current)</li> </ul> <p><a href="#">Table 20 (WEAK configuration output buffer electrical characteristics)</a></p> <ul style="list-style-type: none"> <li>– New specification: I<sub>DCMAX_W</sub> (Maximum DC current)</li> </ul> <p>Updated <a href="#">Table 22 (STRONG configuration output buffer electrical characteristics)</a></p> <p>Updated <a href="#">Table 23 (VERY STRONG configuration output buffer electrical characteristics)</a></p> <p>Updated <a href="#">Section 3.11, Reset pad (PORST, ESR0) electrical characteristics</a>:</p> <ul style="list-style-type: none"> <li>– replaced instance of “bidirectional RESET pin” with “bidirectional reset pin (<math>\overline{\text{PORST}}</math>)”</li> <li>– inserted note “<math>\overline{\text{PORST}}</math> pin does not require active control. It is possible to implement an external pull-up to ensure correct reset exit sequence. Recommended value is 4.7 kohm”</li> <li>– replaced instances of “PORST” with “<math>\overline{\text{PORST}}</math>” (overlined)</li> <li>– replaced instances of “V<sub>DDPOR</sub>” with “V<sub>DD_POR</sub>”</li> </ul> <p><a href="#">Table 25 (Reset electrical characteristics)</a>:</p> <ul style="list-style-type: none"> <li>– New specification: W<sub>FNMI</sub> (ESR1 input filtered pulse)</li> <li>– W<sub>NFNMI</sub> (ESR1 input not filtered pulse)</li> <li>–  I<sub>WPU</sub>  and  I<sub>WPD</sub>  parameter rows moved to rows following I<sub>OL_R</sub></li> </ul> <p><a href="#">Table 26 (PLL0 electrical characteristics)</a>:</p> <ul style="list-style-type: none"> <li>– Note added to  <math>\Delta\text{PLL0PHI1SPJIT}</math>  row</li> <li>– Updated “conditions” in rows  <math>\Delta\text{PLL0PHI0SPJIT}</math> ,  <math>\Delta\text{PLL0PHI1SPJIT}</math> , and  <math>\Delta\text{PLL0LTJIT}</math> </li> </ul> <p><a href="#">Figure 3.12 (Oscillator and FMPLL)</a>:</p> <ul style="list-style-type: none"> <li>– Clarification: V<sub>ESR0</sub> is also described by V<math>\overline{\text{PORST}}</math> behavior shown in illustration.</li> </ul> <p><a href="#">Table 27 (PLL1 electrical characteristics)</a>: modified title (was “FMPLL1 electrical characteristics”)</p> <ul style="list-style-type: none"> <li>– <math>\Delta\text{TUE}_{12}</math> (TUE degradation due to V<sub>DD_HV_ADR</sub> offset with respect to V<sub>DD_HV_ADV</sub>) (V<sub>IN</sub> &lt; V<sub>DD_HV_ADV</sub>; V<sub>DD_HV_ADR</sub> – V<sub>DD_HV_ADV</sub> ∈ [0:25 mV]): Max value changed to ±0.0 (was ±1.0)</li> <li>– TUE12 (Total unadjusted error in 12-bit configuration): Footnote added to “P” parameter (T<sub>J</sub> &lt; 150 °C; V<sub>DD_HV_ADV</sub> &gt; 4 V; V<sub>DD_HV_ADR_S</sub> &gt; 4 V): values are subject to change after characterization</li> <li>– Replaced the characteristics value from “P” to “T” for t<sub>PLL1JIT</sub> row</li> </ul>

Table 74. Revision history(Continued)

Revision	Date	Description of changes
2 (cont'd)	30 Aug 2012	<p>Updated <a href="#">Table 28 (External Oscillator electrical specifications)</a></p> <p>Updated <a href="#">Table 29 (Selectable load capacitance)</a></p> <p>Updated <a href="#">Table 26 (SARn ADC electrical specification)</a></p> <p>Updated <a href="#">Table 34 (SDn ADC electrical specification)</a></p> <p>Revised <a href="#">Section 3.13, ADC specifications</a></p> <p><a href="#">Figure 19 (Power-down exit time)</a>: replaced symbol “Tsu” with “t<sub>PD2NM_TX</sub>”</p> <p><a href="#">Table 35 (Temperature sensor electrical characteristics)</a>:</p> <ul style="list-style-type: none"> <li>– Following symbols added: T<sub>SENS</sub>, T<sub>ACC</sub>, I<sub>TEMP_SENS</sub></li> <li>– Following sentence removed from footnote: “All values above are comprehended in the IP test plan for 100% testing, except Power.”</li> <li>– Footnote deleted: “Temperature sensor continues to function between 150 °C and 165 °C but accuracy is degraded”</li> </ul> <p><a href="#">Table 37 (LFAST interface electrical characteristics)</a>: removed redundant footnote</p> <p>Replaced section “DigRF electrical characteristics” with <a href="#">Section 3.15, LVDS Fast Asynchronous Serial Transmission (LFAST) pad electrical characteristics</a></p> <p>Updated <a href="#">Table 39 (LFAST PLL electrical characteristics)</a></p> <p>Updated <a href="#">Table 40 (Aurora LVDS electrical characteristics)</a></p> <ul style="list-style-type: none"> <li>– Specification change: R<sub>V_L</sub> (Terminating resistance): min value is 81 ohm (was 90); max value is 120 ohm (was 110).</li> <li>– Footnote added to  ΔV<sub>OD_LVDS</sub>  (Differential output voltage swing (terminated)): “The minimum value of 400 mV is only valid for differential terminating resistance (R<sub>V_L</sub>) = 99 ohm to 101 ohm. The differential output voltage swing tracks with the value of R<sub>V_L</sub>.”</li> <li>– Updated and renamed specification f<sub>RX</sub> Receive Clock Rate (was Receive Data Rate)</li> <li>– Specification description changed from “ ΔV<sub>I_L</sub>  (Differential input voltage)” to “Differential input voltage (peak to peak)”.</li> <li>– Clarification: The maximum value of T<sub>Loss</sub> (Transmission Line Loss due to loading effects) is specified for the maximum drive level of the Aurora transmit pad.</li> <li>– Note added: “The Aurora interface is AC coupled, so there is no common-mode voltage specification.”</li> <li>– Footnote (applies to entire table) updated: “All Aurora electrical characteristics are valid from –40 °C to 165 °C, except where noted”</li> </ul> <p>Reorganized subsections of <a href="#">Section 3.17, Power management: PMC, POR/LVD, sequencing</a></p> <p><a href="#">Table 41 (Device Power Supply Integration)</a>:</p> <ul style="list-style-type: none"> <li>– Replaced “TBD” with “—” in Typ column</li> <li>– Removed V<sub>SREG</sub>, I<sub>SREG</sub>, I<sub>LPREGINT</sub></li> </ul> <p>Updated <a href="#">Table 42 (Voltage monitor electrical characteristics)</a></p> <p><a href="#">Table 43 (Device supply relation during power-up/power-down sequence)</a>:</p> <ul style="list-style-type: none"> <li>– Replaced “V<sub>DD_HV_PMC</sub>” with V<sub>DD_HV_IO_JTAG/V<sub>DD_HV_IO_FLEX</sub></sub></li> <li>– Replaced “V<sub>DD_HV_PMU</sub>” with V<sub>DD_HV_IO_JTAG/V<sub>DD_HV_IO_FLEX</sub></sub></li> <li>– Replaced V<sub>DD_HV_ADR</sub> row value from 2 mA to 5 mA</li> </ul> <p>Changed instance of “Supply 1” to “Supply 2” in column header row</p> <p><a href="#">Table 44 (Functional terminals state during power-up and reset)</a>:</p> <ul style="list-style-type: none"> <li>– Changed “Power-up pad state” column value from “High impedance” to “weak pull-up” in TDI row</li> <li>– Updated pad states in TMS row</li> </ul> <p><a href="#">Section 3.17.3, Device voltage monitoring</a>: added introductory text</p> <p>Updated <a href="#">Table 44 (Flash memory program and erase specifications (pending silicon characterization))</a></p> <p>Revised <a href="#">Section 3.19.2, DSPI Timing with CMOS and LVDS Pads</a></p> <p><a href="#">Table 48 (JTAG pin AC electrical characteristics)</a>:</p> <ul style="list-style-type: none"> <li>– Changed all parameters from “C” to “D”</li> <li>– Specification change: t<sub>TCCY</sub> (TCK cycle time) is 100 ns (was 40 ns). Boundary scan frequency is limited to 10 MHz or less.</li> </ul>

Table 74. Revision history(Continued)

Revision	Date	Description of changes
2 (cont'd)	30 Aug 2012	<p>Updated <a href="#">Table 49 (Nexus debug port timing)</a></p> <p><a href="#">Table 50 (Aurora LVDS interface timing specifications)</a>:</p> <ul style="list-style-type: none"> <li>– Specification change: Data rate Typ is undefined (was 1200)</li> <li>– Specification change: Data rate max is 1250 Mbps (was Typ + 0.1%)</li> </ul> <p><a href="#">Table 51 (Aurora debug port timing)</a>:</p> <ul style="list-style-type: none"> <li>– Specification change: <math>t_{REFCLK}</math> (Reference clock frequency) max value is 1250 MHz (was 1200)</li> <li>– Specification change: OUI (Aurora lane unit interval) is now specified by data rate</li> <li>– Characteristic vs. Requirement change: <math>J_D</math> (Transmit lane deterministic jitter) is “SR” (was “CC”)</li> <li>– Characteristic vs. Requirement change: <math>J_T</math> (Transmit lane total jitter) is “SR” (was “CC”)</li> </ul> <p><a href="#">Table 57 (DSPI CMOS master timing – output only – timed serial bus mode TSB = 1 or ITSB = 1, CPOL = 0 or 1, continuous SCK clock)</a>: added “SOUT and SCK drive strength” to condition for <math>t_{SU0}</math></p> <p><a href="#">Table 59 (RMII serial management channel timing)</a>:</p> <ul style="list-style-type: none"> <li>– Column added: SR/CC (system requirement or controller characteristic)</li> <li>– Column added: Classification (parameters are guaranteed by design)</li> </ul> <p><a href="#">Table 62 (TxEN output characteristics)</a>:</p> <ul style="list-style-type: none"> <li>– Column added: SR/CC (system requirement or controller characteristic)</li> <li>– Column added: Classification (parameters are guaranteed by design)</li> </ul> <p>Updated <a href="#">Table 63 (TxD output characteristics)</a></p> <p>Updated <a href="#">Table 64 (RxD input characteristics)</a></p> <p><a href="#">Table 66 (MII receive signal timing)</a>:</p> <ul style="list-style-type: none"> <li>– Column added: SR/CC (system requirement or controller characteristic)</li> <li>– Column added: Classification (parameters are guaranteed by design)</li> </ul> <p><a href="#">Table 67 (MII transmit signal timing)</a>:</p> <ul style="list-style-type: none"> <li>– Column added: SR/CC (system requirement or controller characteristic)</li> <li>– Column added: Classification (parameters are guaranteed by design)</li> <li>– Output parameter footnote changed to, “Output parameters are valid for <math>C_L = 25</math> pF, where <math>C_L</math> is the external load to the device. The internal package capacitance is accounted for, and does not need to be subtracted from the 25 pF value” (Previously, footnote stated CL included typical max internal capacitance of 2 pF)</li> </ul> <p><a href="#">Table 68 (MII async inputs signal timing)</a>:</p> <ul style="list-style-type: none"> <li>– Column added: SR/CC (system requirement or controller characteristic)</li> <li>– Column added: Classification (parameters are guaranteed by design)</li> </ul> <p><a href="#">Table 69 (MII serial management channel timing)</a>:</p> <ul style="list-style-type: none"> <li>– Column added: SR/CC (system requirement or controller characteristic)</li> <li>– Column added: Classification (parameters are guaranteed by design)</li> </ul> <p>Added <a href="#">Section 3.20.4, UART timing</a></p> <p><a href="#">Section 4, Package characteristics</a>: inserted <a href="#">Section 4.5, Thermal characteristics</a> (was previously in <a href="#">Section 3, Electrical characteristics</a>)</p> <p>Updated “conditions” in rows <math> \Delta_{PLL0PHI0SPJIT} </math>, <math> \Delta_{PLL0PHI1SPJIT} </math>, and <math> \Delta_{PLL0LTJIT} </math></p> <p>Updated <a href="#">Section 4.2, 144 LQFP-EPeTQFP144 case drawing</a></p> <p>Updated <a href="#">Section 4.3, 176 LQFP-EPeLQFP176 case drawing</a></p> <p>Updated <a href="#">Section 4.4, FusionQuad® case drawing</a></p> <p>Added <a href="#">Section 6, Revision history</a></p>

**Table 74. Revision history(Continued)**

Revision	Date	Description of changes
3	31 Jan 2014	<p><i>Table 2 (MPC5744K/SPC574Kx device feature summary):</i></p> <ul style="list-style-type: none"> <li>– MCAN is updated to M_CAN</li> <li>– TTCAN is updated to M_TTCAN</li> <li>– SIPI / LFAST interprocessor bus is updated to Zipwire (SIPI/LFAST) interprocessor bus.</li> <li>– Instances of ADC (SD) changed from 3 to 2</li> <li>– removed row PSI5-S</li> <li>– removed footnote <i>The main computational shell...</i></li> <li>– Replaced “4 × 256 bit” with “2 × 4 × 256-bit” for Flash memory fetch accelerator</li> </ul> <p><i>Figure 1 (Block diagram):</i></p> <ul style="list-style-type: none"> <li>– AIPS Bridge is updated to Peripheral Bridge</li> <li>– LFAST &amp; SIPI is updated to Zipwire LFAST &amp; SIPI.</li> <li>– DMACHMUX updated to read DMAMUX</li> <li>– changed LFAST &amp; SIPI module name to Zipwire LFAST &amp; SIPI</li> <li>– improved figure quality; changed “PBRIDGE_0” and “PBRIDGE_1” to “PBRIDGE_A” and “PBRIDGE_B” respectively</li> </ul> <p><i>Figure 2 (Periphery allocation):</i></p> <ul style="list-style-type: none"> <li>– PLL_DIG is updated to PLLDIG</li> <li>– OSC is updated to XOSC</li> <li>– RCOSC is updated to IRCOSC</li> <li>– Replaced single block DMAMUX with blocks DMACHMUX_0 to DMACHMUX_3</li> <li>– SENT SRX_0 is updated to SRX_0</li> <li>– SENT SRX_1 is updated to SRX_1</li> <li>– Removed PSI5_S block from peripheral cluster B</li> <li>– Removed the instance of SD ADC_2</li> <li>– Updated DMACHMUX_0, DMACHMUX_1, DMACHMUX_2, and DMACHMUX_3 to DMAMUX_0, DMAMUX_1, DMAMUX_2, and DMAMUX_3 respectively.</li> <li>– changed “PBRIDGE_0” to “PBRIDGE_A”</li> <li>– changed “PBRIDGE_1” to “PBRIDGE_B”</li> <li>– changed Successive Approximation Register Analog-to-Digital Converter instances from “SAR ADCx” to “SARADCx”.</li> </ul> <p><i>Figure 3 (144-pin QFP and 172-pin FQ configuration (top view)):</i></p> <ul style="list-style-type: none"> <li>– Pin A18 is now LVDS Test In+.</li> <li>– Pin A19 is now LVDS Test In-.</li> <li>– Pin 133 is now PC[15].</li> <li>– Reworded note 2.</li> <li>– Replaced “eLQFP144” with “eLQFP144” (ST_Specific)</li> </ul> <p><i>Figure 4 (176-pin QFP and 216-pin FQ configuration (top view)):</i></p> <ul style="list-style-type: none"> <li>– Pin A27 is now LVDS Test In+.</li> <li>– Pin A28 is now LVDS Test In-.</li> <li>– Reworded note 2.</li> </ul> <p><b>Section 1.5, Feature overview:</b></p> <ul style="list-style-type: none"> <li>– Updated text “3 separate 16-bit Sigma-Delta analog converters” to read “2 separate 16-bit Sigma-Delta analog converters”</li> <li>– Replaced “2 main CPUs” to “One main processor core and one checker core”</li> </ul> <p><i>Table 5 (LVDSF pin descriptions):</i></p> <ul style="list-style-type: none"> <li>– Replaced all instances of “N.C” with “—”</li> <li>– Removed table footnote</li> </ul>

**Table 74. Revision history(Continued)**

Revision	Date	Description of changes
3 (cont'd)	31 Jan 2014	<p><b>Table 6 (Absolute maximum ratings):</b></p> <ul style="list-style-type: none"> <li>– Parameter classification for <i>Cycle</i> is now “T”</li> <li>– In footnote: <i>1.32 – 1.375 V range allowed periodically...</i> changed <i>1.275 V</i> to <i>1.288 V</i></li> <li>– Added “V<sub>DD_HV_IO_BD</sub>”</li> <li>– Removed “V<sub>DD_HV_IO_JTAG</sub>”</li> <li>– Removed T<sub>J</sub></li> <li>– Removed table footnote “Three Screen done, 1 minute each. No change in device parameters during characterization of at least 10 devices at 30 minutes exposure of 150 KeV at maximum 5 mm” from t<sub>XRAY</sub></li> <li>– Added V<sub>DD_HV_ADV</sub> to VIN</li> <li>– Added footnotes “V<sub>DD_HV_IO</sub>/V<sub>SS_HV_IO</sub> refers to supply pins and corresponding grounds: V<sub>DD_HV_IO_MAIN</sub>, V<sub>DD_HV_IO_FLEX</sub>, V<sub>DD_HV_IO_JTAG</sub>, V<sub>DD_HV_OSC</sub>, V<sub>DD_HV_FLTA</sub>” and “Relative value can be exceeded if design measures are taken to ensure injection current limitation (parameters I<sub>INJD</sub> and I<sub>INJA</sub>)” to “Relative to V<sub>SS_HV_IO</sub>” and “Relative to V<sub>DD_HV_IO</sub>” in VIN</li> </ul> <p><b>Table 8 (Radiated emissions testing specification.):</b> Splited “BISS radiated emissions limit” column into four rows to have clear figures for each function</p> <p><b>Table 10 (RF immunity—Direct Power Injection (DPI) test specifications):</b> Changed the location of the table and placed it above <a href="#">Section 3.6, Operating conditions</a></p> <p><b>Table 11 (ESD ratings):</b></p> <ul style="list-style-type: none"> <li>– Classification parameter for ESD for Human Body Model is now T</li> </ul> <p><b>Table 12 (Device operating conditions):</b></p> <ul style="list-style-type: none"> <li>– In row V<sub>DD_HV_ADV</sub> Low Voltage Detector symbol changed to LVD295</li> <li>– V<sub>DDSTBY</sub> added new footnote: The VDDSTBY pin should be connected to ground or an HV I/O supply in the application when the standby RAM feature is not used. When connected to an HV I/O supply, there will be leakage on the VDDSTBY pin, which is given in the DC electrical specifications.</li> <li>– Changed VRAMP to V<sub>RAMP_LV</sub>, changed parameter to 'slew rate on core power supply pins.</li> <li>– Add V<sub>RAMP_HV</sub> specification, parameter “Slew rate on HV power supply pins”, max value 100 V/ms.</li> <li>– Add a second VRAMP specification V<sub>RAMP_HV</sub>, parameter “Slew rate on HV power supply pins”, max value 500 V/ms.</li> <li>– Moved V<sub>REF_BG_T</sub>, V<sub>REF_BG_TC</sub> and V<sub>REF_BG_LR</sub> specifications from ADC pin specification table to Device operating conditions table.</li> <li>– V<sub>DD_HV_IO_FLEXE</sub> added specification.</li> <li>– V<sub>REF_BG_T</sub>, V<sub>REF_BG_TC</sub>, and V<sub>REF_BG_LR</sub> moved to the DC electrical specifications table.</li> <li>– V<sub>STBY_BO</sub> and V<sub>DD_LV_STBY_SW</sub> moved to the DC electrical specifications table.</li> <li>– In rows f<sub>SYS</sub> and T<sub>J</sub> removed 165 °C content</li> <li>– In row f<sub>SYS</sub> changed the first value in the Conditions column to -40 °C</li> <li>– Added f<sub>LBIST</sub></li> <li>– Added note “V<sub>DD_HV_IO_JTAG</sub> supply is shorted with V<sub>DD_HV_OSC</sub> supply within package” to V<sub>DD_HV_IO_JTAG</sub></li> <li>– Added V<sub>IN</sub></li> </ul>

Table 74. Revision history(Continued)

Revision	Date	Description of changes
3 (cont'd)	31 Jan 2014	<p><b>Table 16 (DC electrical specifications):</b></p> <ul style="list-style-type: none"> <li>– In row I<sub>DDAPP</sub> Condition f<sub>SYS</sub> changed to 160 MHz, Condition T<sub>J</sub> changed to 144 °C, Max Value changed to 260.</li> <li>– Footnote f<sub>MAX</sub> as specified...application specific pattern changed to application with maximum consumption...</li> <li>– Footnote f<sub>MAX</sub> as specified...with active flash... changed to Application with maximum consumption...with active flash...</li> <li>– Parameter classification of "I<sub>DDPE</sub>" changed to "C".</li> <li>– Parameter classification of "I<sub>SPIKE</sub>" changed to "T".</li> <li>– Parameter classification of "dl" changed to "T".</li> <li>– Parameter classification of "I<sub>SR</sub>" changed to "D".</li> <li>– 3 new parameters "I<sub>DD_MAIN_CORE_AC</sub>", "I<sub>DD_CHKR_CORE_AC</sub>" and "I<sub>DD_HV_IO_BD</sub>" added.</li> <li>– Parameter "I<sub>DD_BD</sub>" updated to "I<sub>DD_LV_BD</sub>". Also modified Parameter description, added new condition "T<sub>J</sub> = 150/165 C" and value.</li> <li>– Added note "Moving window, measured on application specific pattern" to "I<sub>SPIKE</sub>".</li> <li>– Description of parameter "ISR" modified from "Current variation during power up/down" to "Current variation during boot/shut-down".</li> <li>– Added note "Current variation is considered during boot or during shut-down sequence.</li> <li>– Progressive clock switching should be use to guarantee low current variation. This does not include current requested for the loading of the capacitances on the VDD_LV domain. Please refer to Power management section, Iclamp specification" to the max value of I<sub>SR</sub>.</li> <li>– Moved I<sub>DD_HV_IO_BD</sub> before I<sub>DD_LV_BD</sub></li> <li>– Updated the parameter, conditions column of I<sub>DDAR</sub> and replaced the max value "10" with "30"</li> <li>– Added I<sub>DDOFF</sub>, V<sub>REF_BG_T</sub>, V<sub>REF_BG_TC</sub>, and V<sub>REF_BG_LR</sub></li> <li>– Updated Table footnote 4 and 8</li> </ul> <p><b>Section 3.17.2, Main voltage regulator electrical characteristics:</b> Updated the section</p> <p><b>Table 18 (I/O input DC electrical characteristics):</b></p> <ul style="list-style-type: none"> <li>– V<sub>IHTTL</sub> condition is 4.5 V &lt; V<sub>DD_HV_IO</sub> &lt; 5.5 V</li> <li>– V<sub>ILTTL</sub> condition is 4.5 V &lt; V<sub>DD_HV_IO</sub> &lt; 5.5 V</li> <li>– V<sub>HYSTTL</sub> condition is 4.5 V &lt; V<sub>DD_HV_IO</sub> &lt; 5.5 V</li> <li>– V<sub>IHCMOS_H</sub> condition is 2.7 V &lt; V<sub>DD_HV_IO</sub> &lt; 3.0 V and 4.0 V &lt; V<sub>DD_HV_IO</sub> &lt; 4.5 V</li> <li>– V<sub>IHCMOS</sub> condition is 2.7 V &lt; V<sub>DD_HV_IO</sub> &lt; 3.0 V and 4.0 V &lt; V<sub>DD_HV_IO</sub> &lt; 4.5 V</li> <li>– V<sub>ILCMOS_H</sub> condition is 2.7 V &lt; V<sub>DD_HV_IO</sub> &lt; 3.0 V and 4.0 V &lt; V<sub>DD_HV_IO</sub> &lt; 4.5 V</li> <li>– V<sub>ILCMOS</sub> condition is 2.7 V &lt; V<sub>DD_HV_IO</sub> &lt; 3.0 V and 4.0 V &lt; V<sub>DD_HV_IO</sub> &lt; 4.5 V</li> <li>– V<sub>HYSCMOS</sub> condition is 2.7 V &lt; V<sub>DD_HV_IO</sub> &lt; 3.0 V and 4.0 V &lt; V<sub>DD_HV_IO</sub> &lt; 4.5 V</li> <li>– Updated the conditions and values for parameter I<sub>LKG</sub></li> <li>– The conditions "3.0 V &lt; V<sub>DD_HV_IO</sub> &lt; 3.6 V and 4.5 V &lt; V<sub>DD_HV_IO</sub> &lt; 5.5 V" split into 2 rows for the parameters V<sub>IHCMOS_H</sub>, V<sub>IHCMOS</sub>, V<sub>ILCMOS_H</sub>, V<sub>ILCMOS</sub> and V<sub>HYSCMOS</sub>.</li> <li>– Added reference of Note 6 to V<sub>IHTTL</sub>, V<sub>ILTTL</sub>, and V<sub>HYSTTL</sub>.</li> <li>– V<sub>DDE</sub> replaced by V<sub>DD_HV_IO</sub>.</li> <li>– V<sub>DRFTAUT</sub> specification, conditions column, added "4.5 V &lt; V<sub>DD_HV_IO</sub> &lt; 5.5 V".</li> <li>– V<sub>DRFTCMOS</sub> specification, added 3.0 V &lt; V<sub>DD_HV_IO</sub> &lt; 3.6 V and 4.5 V &lt; V<sub>DD_HV_IO</sub> &lt; 5.5 V conditions.</li> <li>– I<sub>LKG_EBI</sub> specification: changed "2.5 uA" Max value to "1 uA" and added condition "0.1*V<sub>DD_HV</sub>&lt;Vin&lt;0.9*V<sub>DD_HV</sub>,Tj &lt; 150 °C, 4.5V&lt;V<sub>DD_HV</sub>&lt;5.5V". Added second ILKG_EBI spec with conditions: "Tj &lt; 150 °C, 4.5V &lt; V<sub>DD_HV</sub> &lt; 5.5V" and Parameter "Digital input leakage for EBI pad, Vin = 10%/90%." Value is max 1.5 uA</li> <li>– Replaced "C" with "P" for I<sub>LKG</sub></li> </ul>

**Table 74. Revision history(Continued)**

Revision	Date	Description of changes
3 (cont'd)	31 Jan 2014	<p><b>Table 19 (I/O pull-up/pull-down DC electrical characteristics):</b></p> <ul style="list-style-type: none"> <li>- <math> I_{WPU} </math> Parameter is <i>Weak pull-up current absolute value</i></li> <li>- <math> I_{WPU} </math> (P) condition is <math>V_{IN} &lt; V_{IH} = 0.69 \cdot V_{DD\_HV\_IO}</math>, <math>4.5\text{ V} &lt; V_{DD\_HV\_IO} &lt; 5.5\text{ V}</math></li> <li>- <math> I_{WPU} </math> (P) min is 23 <math>\mu\text{A}</math>, max is —</li> <li>- Removed: <math> I_{WPU} </math> (T) at <math>V_{IN} = 0\text{ V}</math>, <math>3.0\text{ V} &lt; V_{DD\_HV\_IO} &lt; 4.0\text{ V}</math></li> <li>- Added: <math> I_{WPU} </math> (T) at <math>V_{IN} &gt; V_{IL} = 0.49 \cdot V_{DDE}</math>, <math>4.5\text{ V} &lt; V_{DD} &lt; 5.5\text{ V}</math></li> <li>- Added: <math> I_{WPU} </math> (T) at <math>V_{IN} &gt; V_{IL} = 1.1\text{ V}</math> (TTL), <math>4.5\text{ V} &lt; V_{DD} &lt; 5.5\text{ V}</math></li> <li>- Added: <math>R_{WPU}</math> (Weak pull-up resistance)</li> <li>- <math> I_{WPD} </math> (P) condition is <math>V_{IN} &gt; V_{IH} = 0.69 \cdot V_{DDE}</math>, <math>4.5\text{ V} &lt; V_{DD} &lt; 5.5\text{ V}</math></li> <li>- <math> I_{WPD} </math> (P) min. is —, max is 130 <math>\mu\text{A}</math></li> <li>- Removed: <math> I_{WPD} </math> (T) at <math>V_{IN} = V_{DD\_HV\_IO}</math>, <math>3.0\text{ V} &lt; V_{DD\_HV\_IO} &lt; 4.0\text{ V}</math></li> <li>- Added: <math> I_{WPD} </math> (T) at <math>V_{IN} &lt; V_{IL} = 0.49 \cdot V_{DDE}</math>, <math>4.5\text{ V} &lt; V_{DD} &lt; 5.5\text{ V}</math></li> <li>- Added: <math> I_{WPD} </math> (T) at <math>V_{IN} &lt; V_{IL} = 0.9\text{ V}</math> (TTL), <math>4.5\text{ V} &lt; V_{DD} &lt; 5.5\text{ V}</math></li> <li>- Added: <math>R_{WPD}</math> (Weak pull-down resistance)</li> <li>- Replaced "<math>V_{IN} &gt; V_{IH}</math>" with "<math>V_{IN} &lt; V_{IH}</math>" and "<math>V_{IN} &lt; V_{IH}</math>" with "<math>V_{IN} &gt; V_{IH}</math>" in the first two rows of <math> I_{WPD} </math></li> <li>- Replaced <math>V_{DD}</math> with <math>V_{DD\_HV\_IO}</math> in the conditions column of <math>I_{WPU}</math> and <math>I_{WPD}</math></li> </ul> <p><b>Section 3.9.2, I/O output DC characteristics:</b></p> <ul style="list-style-type: none"> <li>- Removed references to EBI in document.</li> </ul> <p><b>Table 20 (WEAK configuration output buffer electrical characteristics):</b></p> <ul style="list-style-type: none"> <li>- Added footnote <i>All VDD_HV_IO conditions for 4.5V to 5.9V...</i></li> <li>- Added footnote <i>Only for VDD_HV_IO_JTAG segment...</i></li> <li>- Added new parameter "Propagation delay".</li> </ul> <p><b>Table 21 (MEDIUM configuration output buffer electrical characteristics):</b></p> <ul style="list-style-type: none"> <li>- <math>R_{OH\_M}</math> condition is <math>4.5\text{ V} &lt; V_{DD\_HV\_IO} &lt; 5.9\text{ V}</math>, Push pull, <math>I_{OH} &lt; 2\text{ mA}</math></li> <li>- <math>R_{OL\_M}</math> condition is <math>4.5\text{ V} &lt; V_{DD\_HV\_IO} &lt; 5.9\text{ V}</math>, Push pull, <math>I_{OH} &lt; 2\text{ mA}</math></li> <li>- <math>t_{TR\_M}</math> condition is <math>C_L = 25\text{ pF}</math>, <math>4.5\text{ V} &lt; V_{DD\_HV\_IO} &lt; 5.9\text{ V}</math></li> <li>- <math>t_{TR\_M}</math> condition is <math>C_L = 50\text{ pF}</math>, <math>4.5\text{ V} &lt; V_{DD\_HV\_IO} &lt; 5.9\text{ V}</math></li> <li>- <math>t_{TR\_M}</math> condition is <math>C_L = 200\text{ pF}</math>, <math>4.5\text{ V} &lt; V_{DD\_HV\_IO} &lt; 5.9\text{ V}</math></li> <li>- Added footnotes: <i>All VDD_HV_IO...</i> and <i>Only for VDD_HV_IO_JTAG..</i></li> <li>- Added new parameter "Propagation delay".</li> </ul> <p><b>Table 22 (STRONG configuration output buffer electrical characteristics):</b></p> <ul style="list-style-type: none"> <li>- <math>R_{OH\_S}</math> condition is <math>4.5\text{ V} &lt; V_{DD\_HV\_IO} &lt; 5.9\text{ V}</math>, Push pull, <math>I_{OH} &lt; 8\text{ mA}</math>;</li> <li>- <math>R_{OL\_S}</math> condition is <math>4.5\text{ V} &lt; V_{DD\_HV\_IO} &lt; 5.9\text{ V}</math>, Push pull</li> <li>- <math>I_{OH} &lt; 8\text{ mA}</math>; <math>t_{TR\_S}</math> condition changed to <math>C_L = 50\text{ pF}</math>, <math>4.5\text{ V} &lt; V_{DD\_HV\_IO} &lt; 5.9\text{ V}</math></li> <li>- <math>t_{TR\_S}</math> condition changed to <math>C_L = 200\text{ pF}</math>, <math>4.5\text{ V} &lt; V_{DD\_HV\_IO} &lt; 5.9\text{ V}</math></li> <li>- <math>t_{TR\_S}</math> condition <math>C_L = 25\text{ pF}</math>, <math>4.0\text{ V} &lt; V_{DD\_HV\_IO} &lt; 5.9\text{ V}</math> changed to <math>C_L = 50\text{ pF}</math>, <math>4.5\text{ V} &lt; V_{DD\_HV\_IO} &lt; 5.9\text{ V}</math></li> <li>- Added footnotes: <i>All VDD_HV_IO conditions for 4.5V to 5.9V...</i> and <i>Only for VDD_HV_IO_JTAG segment...</i></li> <li>- Added new parameter "Propagation delay"</li> </ul> <p><b>Table 23 (VERY STRONG configuration output buffer electrical characteristics):</b></p> <ul style="list-style-type: none"> <li>- In rows <math>R_{OH\_V}</math> and <math>R_{OL\_V}</math>: Conditions for C Parameter changed to <math>V_{SIO}[V_{SIO\_xx}] = 1</math>, <i>Push pull, <math>I_{OH} &lt; 7\text{ mA}</math>, Value Min is 30, TYP is 50, Max is 75.</i></li> <li>- In row <math>f_{SYS}</math>: Conditions for C Parameter changed to <math>V_{SIO}[V_{SIO\_xx}] = 1</math>, <math>C_L = 15\text{ pF}</math></li> <li>- Added footnote: <i>All VDD_HV_IO conditions for 4.5V to 5.9V...</i></li> </ul>

Table 74. Revision history(Continued)

Revision	Date	Description of changes
3 (cont'd)	31 Jan 2014	<ul style="list-style-type: none"> <li>– Removed the parameter <math>I_{DCMAX\_V}</math> from the table.</li> <li>– Added new parameter “Propagation delay”.</li> <li>– Updated the rows pertaining to <math>R_{OH\_V}</math>, <math>R_{OL\_V}</math>, <math>f_{MAX\_V}</math>, <math>t_{TR\_V}</math>, <math>t_{TR20-80}</math>, <math>\Sigma t_{TR20-80}</math>, and <math> t_{SKEW\_V} </math></li> </ul> <p><b>Section 3.10, I/O pad current specification:</b></p> <ul style="list-style-type: none"> <li>– In Note: <i>In order to ensure...remain below 10%</i>. changed to <i>...below 50%</i></li> <li>– Changed the first note: from “In order to ensure correct functionality for SENT, the sum of all pad usage ratio within the SENT segment should remain below 50%.” to “In order to maintain the required input thresholds for the SENT interface, the sum of all I/O pad output percent IR drop as defined in the I/O Signal Description table, must be below 100%. See the I/O Signal Description attachment.”</li> <li>– In second note, changed must be below “100%” to must be below “50 %”.</li> </ul> <p><b>Table 24 (I/O consumption):</b></p> <ul style="list-style-type: none"> <li>– Removed footnote: <i>Data based on simulation results...</i></li> <li>– Removed all VSIO conditions (<math>VSIO[VSIO\_xx] = 1</math> and <math>VSIO[VSIO\_xx] = 0</math>) from conditions column and added footnote to I/O consumption table title: “I/O current consumption specifications for the 4.5 V <math>\leq V_{DD\_HV\_IO} \leq 5.5</math> V range are valid for <math>VSIO[VSIO\_xx] = 1</math>, and <math>VSIO[VSIO\_xx] = 0</math> for 3.0 V <math>\leq V_{DD\_HV\_IO} \leq 3.6</math> V.”</li> </ul> <p><b>Table 25 (Reset electrical characteristics):</b></p> <ul style="list-style-type: none"> <li>– Parameter classification of “<math>V_{DD\_POR}</math>” changed from “C” to “D”</li> <li>– <math> I_{WPU} </math> parameter, changed Min value from “25” to “23” and Max value from “100” to “82” <math>\mu A</math>.</li> <li>– <math> I_{WPD} </math> parameter, changed Min value from “25” to “40” and Max value from “100” to “130” <math>\mu A</math>.</li> <li>– New “conditions” added for parameters “<math> I_{WPU} </math>” and “<math> I_{WPD} </math>”.</li> </ul> <p>Removed “Device under power-on reset 3.0 V <math>&lt; V_{DD\_HV\_IO} &lt; 5.5</math> V, <math>V_{OL} &gt; 0.9</math> V” under <math>I_{OL\_R}</math></p> <p><b>Table 26 (PLL0 electrical characteristics):</b></p> <ul style="list-style-type: none"> <li>– Added rows <math>f_{PLL0PHI}</math> and <math>f_{PLL0PHI0}</math></li> <li>– In footnote: <i>PLL0IN clock retrieved...</i> the second sentence now reads <i>Input characteristics are granted when using XOSC.</i></li> <li>– Parameter “<math>t_{PLL0LOCK}</math>” max value changed from “100-110” to “110”.</li> </ul> <p><b>Table 27 (PLL1 electrical characteristics):</b></p> <ul style="list-style-type: none"> <li>– Changed <math>f_{PLL1PHI}</math> Max Value to 160</li> </ul> <p><b>Table 28 (External Oscillator electrical specifications):</b></p> <ul style="list-style-type: none"> <li>– Removed “(External Reference)” from parameter column of <math>V_{ILEXT}</math> and added notes “This parameter is guaranteed by design rather than 100% tested” and “Applies to an external clock input and not to crystal mode”</li> <li>– Removed notes “<math>C_{S\_EXTAL}/C_{S\_XTAL}</math> have typical values of 7.5 pF in the QFP packages of the device” and “<math>C_{S\_EXTAL}/C_{S\_XTAL}</math> have typical values of 6.0 pF for bare die devices”</li> <li>– Updated the min and max values of QFP and Bare Die and removed notes from them under <math>C_{S\_EXTAL}</math> and <math>C_{S\_XTAL}</math></li> <li>– Updated the min and max values of <math>V_{HYS}</math> and max values of <math>I_{XTAL}</math></li> <li>– Replaced “<math>T_J = 150</math> °C” with “<math>T_J = -40</math> °C to 150 °C” and replaced “<math>T_J = 165</math> °C” with “<math>T_J = -40</math> °C to 165 °C” for <math>g_m</math></li> <li>– Added row <math>V_{EXTAL}</math></li> </ul>



**Table 74. Revision history(Continued)**

Revision	Date	Description of changes
3 (cont'd)	31 Jan 2014	<p><b>Table 29 (Selectable load capacitance):</b></p> <ul style="list-style-type: none"> <li>- Updated the table</li> <li>- Changed column 2 heading to <i>Capacitance offered on EXTAL/XTAL</i> (Cx and Cy)</li> <li>- Added <a href="#">Figure 13 (Crystal/Resonator Connections)</a></li> </ul> <p><b>Table 30 (Internal RC oscillator electrical specifications):</b></p> <ul style="list-style-type: none"> <li>- Added note " IRC software trimmed accuracy is performed with the CMU_0 clock monitor, using the XOSC as a reference. Software trim must be repeated as the device operating temperature varies in order to maintain the specified accuracy" to <math>\delta f_{var\_T}</math></li> <li>- The minimum and maximum value of parameter "<math>\delta f_{var\_SW}</math>" changed from "-1" and "+1" to "-0.5" and "+0.5" respectively.</li> </ul> <p><b>Table 32 (ADC pin specification):</b></p> <ul style="list-style-type: none"> <li>- Added row <math>C_{HV\_ADC}</math></li> <li>- Added footnote: <i>For noise filtering, add...</i></li> <li>- For parameter <math>V_{REF\_BG\_TC}</math>, the condition <math>V_{DD\_HV\_ADV}</math> updated from "5 V ± 10%" to "5 V".</li> <li>- For parameter <math>V_{REF\_BG\_TC}</math>, the condition "<math>T_J = 150\text{ °C}</math> to <math>165\text{ °C}</math>" updated to "<math>T_J = -40\text{ °C}</math> to <math>165\text{ °C}</math>".</li> <li>- For parameter <math>V_{REF\_BG\_TC}</math>, the condition <math>V_{DD\_HV\_ADV}</math> updated from "5 V ± 10%" to "5 V".</li> <li>- For parameter <math>V_{REF\_BG\_TC}</math>, the condition "<math>T_J = 150\text{ °C}</math> to <math>165\text{ °C}</math>" updated to "<math>T_J = -40\text{ °C}</math> to <math>165\text{ °C}</math>".</li> <li>- Changed all "<math>T_J &lt; 40\text{ °C}</math>" to "<math>T_a &lt; 25\text{ °C}</math>"</li> <li>- Changed all "<math>T_J &lt; 150\text{ °C}</math>" to "<math>T_a &lt; 125\text{ °C}</math>"</li> <li>- Moved <math>V_{REF\_BG\_T}</math>, <math>V_{REF\_BG\_TC}</math> and <math>V_{REF\_BG\_LR}</math> specifications from ADC pin specification table to Device operating table.</li> <li>- Removed <math>I_{BG}</math> specification as it is already provided in the dc electrical table.</li> </ul> <p><b>Table 26 (SARn ADC electrical specification):</b></p> <ul style="list-style-type: none"> <li>- In row <math>V_{IN}</math>, set Parameter Classification as <i>D</i>.</li> <li>- In row <math>I_{ADCREFH}</math>, added Bias Current condition.</li> <li>- All negative values moved to the Min Value column for parameter "<math>\Delta TUE_{12}</math>".</li> <li>- Added new condition for "<math>\Delta V_{PRECH}</math>" - "<math>V_{PRECH} = V_{DD\_HV\_ADR}/2</math> <math>T_J &lt; 150\text{ °C}</math> <math>CTRn[PRECHG] &gt; 2</math>"</li> <li>- <math>I_{ADCREFL}</math> specification: added <math>V_{DD\_HV\_ADR\_S} \leq 5.5\text{ V}</math> to all modes in condition column.</li> <li>- All negative values moved to the Min Value column for parameter "<math>\Delta TUE_{12}</math>"</li> <li>- Replaced the conditions column of VALTREF "<math>V_{ALTREF} &lt; V_{DD\_HV\_IO\_MAIN}</math>" with "<math>V_{ALTREF} &lt; V_{DD\_HV\_IO\_MAIN}</math> <math>V_{ALTREF} &lt; V_{DD\_HV\_ADV}</math>"</li> </ul> <p><b>Table 34 (SDn ADC electrical specification):</b></p> <ul style="list-style-type: none"> <li>- In row <math>V_{OFFSET}</math>, added 3 <i>after calibration</i> conditions.</li> <li>- In row <math>SNR_{SE150}</math> for Gain=2, 4 and 8 conditions, set Parameter Classification to <i>T</i></li> <li>- In row <math>Z_{IN}</math> conditions are now: GAIN = 1, <math>f_{ADCD\_M} = 16\text{MHz}</math>; GAIN = 16, <math>f_{ADCD\_M} = 16\text{MHz}</math></li> <li>- In row <math>t_{LATENCY}</math> Max Value is now <math>2 * \delta_{GROUP} + 6/f_{ADCD\_S}</math></li> <li>- Added row <math>I_{BIAS}</math>.</li> <li>- Added footnote: <i>extended bench validation...</i></li> <li>- Split footnote <i>S/D ADC... degrades by 9 dB</i> into 2 footnotes: <ul style="list-style-type: none"> <li>• <i>S/D ADC... degrades by 3 dB</i></li> <li>• <i>S/D ADC... degrades by 9 dB</i></li> </ul> </li> </ul>

Table 74. Revision history(Continued)

Revision	Date	Description of changes
3 (cont'd)	31 Jan 2014	<ul style="list-style-type: none"> <li>– Updated footnote <i>The 640 MHz frequency is achieved...</i></li> <li>– <math>f_{ADCD\_M}</math> specification, removed footnote “<math>V_{INM}</math> is the input voltage applied to the negative terminal of the SDADC.”</li> <li>– <math>f_{ADCD\_M}</math> specification, changed parameter from “S/D clock” to “S/D modulator input clock”</li> <li>– Changed <math>f_{ADCD\_M}</math> Min from “—” to “4”.</li> <li>– RESOLUTION specification, added footnote “When using a GAIN setting of 16, the conversion result will always have a value of zero in the least significant bit. The gives an effective resolution of 15 bits.”</li> <li>– <math> \delta_{GAIN} </math> specification, changed Max value from “0.1” % to “5” mV, “0.25” % to “7.5” mV, and “0.5” % to “10” mV.</li> <li>– Common mode rejection ratio parameter change symbol from “—” to “<math>V_{cmrr}</math>”</li> <li>– Anti-aliasing filter parameter, changed symbol “—” to “<math>R_{Caaf}</math>”</li> <li>– Stop band attenuation parameter, changed “symbol “—” to “<math>F_{rolloff}</math>”.</li> <li>– For <math>t_{LATENCY}</math>, <math>t_{SETTLING}</math>, and <math>t_{ODRECOVERY}</math> specifications, changed max from <math>2 * \&amp;GROUP</math> to <math>2 * \&amp;GROUP + 7 * f_{ADCD\_S}</math>.</li> <li>– Changed footnote 9 in “full input range (specified by <math>V_{in}</math>)” to “full input frequency range.”</li> <li>– Changed footnote 11 “0.873” dB to “0.087” dB.</li> <li>– Changed footnote from “The <math>\pm 1\%</math> passband ripple specification is equivalent to <math>20 * \log_{10}(0.99) = 0.87</math> dB.” to “The <math>\pm 1\%</math> passband ripple specification is equivalent to <math>20 * \log_{10}(0.99) = 0.087</math> dB.”</li> <li>– <math>t_{STARTUP}</math> renamed as <math>t_{POWERUP}</math></li> <li>– <math>t_{LATENCY}</math> renamed as <math>t_{STARTUP}</math></li> <li>– A new parameter <math>t_{LATENCY}</math> added</li> <li>– Max value of <math>\delta_{GROUP}</math> modified for all values of OSR</li> <li>– new condition and max value added for <math>t_{STARTUP}</math>, <math>t_{LATENCY}</math>, <math>t_{SETTLING}</math> and <math>t_{ODRECOVERY}</math>.</li> <li>– <math>t_{POWERUP}</math> renamed as <math>t_{STARTUP}</math>.</li> <li>– <math>t_{STARTUP}</math> row removed.</li> <li>– Description of <math>t_{LATENCY}</math> changed from “Latency between input data and converted data” to “Latency between input data and converted data when input mux does not change”.</li> <li>– Max value of <math>t_{LATENCY}</math> changed from “<math>2 * \delta_{GROUP} + f_{ADCD\_S}</math>” to “<math>\delta_{GROUP} + f_{ADCD\_S}</math>”.</li> <li>– Maximum value of parameter “GAIN” changed from 16 to 15.</li> <li>– Replaced the “—” in the conditions column of <math>f_{ADCD\_S}</math> with “<math>T_J &lt; 150</math> °C”</li> <li>– Replaced “<math>2 * \delta_{GROUP}</math>” with “<math>\delta_{GROUP}</math>” in the max column of <math>t_{LATENCY}</math></li> <li>– For max value of <math> \delta_{GAIN} </math> row, replaced “1” with “1.5”</li> </ul> <p>– Added one new table: <a href="#">Table 34 (Electrical specifications)</a></p> <p><b>Table 35 (Temperature sensor electrical characteristics):</b></p> <ul style="list-style-type: none"> <li>– In row <math>I_{TEMP\_SENS}</math> max value changed to 700 <math>\mu A</math></li> <li>– In row <math>T_{SENS}</math> changed Parameter classification to <i>P</i></li> <li>– In row <math>T_{ACC}</math> added condition <math>T_J &lt; 165</math> °C</li> <li>– The minimum value of “<math>T_{ACC}</math>” changed from 7 to “-7”.</li> </ul> <p><b>Table 36 (LVDS pad startup and receiver electrical characteristics):</b></p> <ul style="list-style-type: none"> <li>– <math> \Delta V_I </math> specification, Differential input voltage parameter, added footnote 12 “The LXRXP[0] bit in the LFAST LVDS Control Register (LCR) must be set to one to ensure proper LFAST receive timing.”</li> <li>– max value of <math>t_{STRT\_BIAS}</math> changed from 0.8 <math>\mu s</math> to 4 <math>\mu s</math></li> <li>– max value of <math>t_{PD2NM\_TX}</math> changed from 0.55 <math>\mu s</math> to 2.75 <math>\mu s</math></li> </ul>

Table 74. Revision history(Continued)

Revision	Date	Description of changes
3 (cont'd)	31 Jan 2014	<p><b>Table 37 (LFAST transmitter electrical characteristics):</b></p> <ul style="list-style-type: none"> <li>– <math>C_L</math> (External lumped differential load capacitance) is 10.0 pF</li> <li>– In row  VOD  removed the delta symbol removed “+/-” from each value</li> <li>– Updated <math>t_{TR}</math> Parameter description</li> <li>– <math>C_L</math> specification, changed max CL for <math>V_{DD\_HV\_IO} = 4.5</math> V from “10” to “12” pF.</li> <li> VOD  changed Min value “100” to “110”</li> </ul> <p><b>Table 38 (MSC/DSPI LVDS transmitter electrical characteristics):</b></p> <ul style="list-style-type: none"> <li>– <math>C_L</math> (External lumped differential load capacitance) is 50 pF</li> <li>– In row  VOD  removed the delta symbol removed “+/-” from each value</li> <li>– Updated <math>t_{TR}</math> Parameter description</li> </ul> <p><b>Table 39 (LFAST PLL electrical characteristics):</b></p> <ul style="list-style-type: none"> <li>– <math>f_{VCO}</math> (PLL VCO frequency) nominal value is 640 MHz</li> </ul> <p><b>Table 40 (Aurora LVDS electrical characteristics):</b></p> <ul style="list-style-type: none"> <li>– In row Transmitter Differential Terminating resistance changed symbol to <math>R_{V\_L\_Tx}</math>.</li> <li>– In row <math>C_{AC}</math> <ul style="list-style-type: none"> <li>• Parameter changed to <i>Clock Receive Pin External AC Coupling Capacitance</i>;</li> <li>• Min Value changed to 100 pF</li> <li>• Max Value changed to 270 pF</li> </ul> </li> <li>– In row Receiver Differential Terminating resistance <ul style="list-style-type: none"> <li>• changed symbol to <math>R_{V\_L\_Rx}</math></li> <li>• removed condition <math>V_{DD\_HV\_IO\_BD} = 5 V \pm 10\%</math></li> </ul> </li> <li>– Unit of measurement of <math>F_{RX}</math> changed from “GHz” to “Gbps”.</li> <li>– Removed <math>V_{DD\_HV\_IO\_BD}</math> and <math>V_{DD\_LV}</math> specifications as they are supplied in the device operating conditions table.</li> <li>– Changed “<math>C_{AC}</math>” specification name to “<math>C_{ac\_clk}</math>”.</li> <li>– Added specification “<math>C_{ac\_tx}</math>”.</li> </ul> <p><b>Figure 22 (Voltage regulator capacitance connection):</b> The following note “The pins positions correspond to the pins positions in the pins package” is added.</p> <p><b>Table 41 (Device Power Supply Integration):</b></p> <ul style="list-style-type: none"> <li>– Changed table name to <i>Device Power Supply Integration</i></li> <li>– Added Parameter Classification C column</li> <li>– Added new parameter “<math>I_{DD\_CLAMP}</math>”.</li> <li>– Minimum capacitance of parameters “<math>C_{DECREGn}</math>”, “<math>C_{DECHV}</math>” and “<math>C_{DECFLA}</math>” changed from 10 nF to 30 nF</li> <li>– Replaced “—” with “VDD_LV/VSS pair” in the conditions column of <math>C_{DECREGn}</math></li> <li>– Replaced “Decoupling capacitance ballast” with “Relay capacitance for ballast power-up” in the parameter column of <math>C_{DECBV}</math> and replaced “VDD_HV_PMC/VSS pair” with “—” in the conditions column</li> <li>– Replaced “domain loading” with “external capacitance loading” in the parameter column of <math>I_{DD\_CLAMP}</math> and updated the min and max values.</li> <li>– In <math>I_{MREGINT}</math> removed note “By simulation” and changed C from “T” to “D”</li> <li>– Changed the min and typ values of <math>C_{DECFLA}</math></li> </ul>

**Table 74. Revision history(Continued)**

Revision	Date	Description of changes
3 (cont'd)	31 Jan 2014	<p><b>Table 42 (Voltage monitor electrical characteristics):</b></p> <ul style="list-style-type: none"> <li>- V<sub>LVD108</sub> specification, changed Min value from “1080” to “1120”</li> <li>- V<sub>LVD108</sub> specification, changed Max value from “1140” to “1170”</li> <li>- V<sub>LVD108</sub> Changed Parameter name “LV internal supply low voltage monitoring” to “Core LV internal supply low voltage monitoring” and added note to conditions “This is combination of LVD108_C, P, and F. Min is from min value of LVD108_F, and P which is the lowest one. Max is the max value of LVD108_C which is the highest one of three.”</li> <li>- V<sub>PORUP_LV</sub> Falling voltage (power down) condition, added footnote “assume all of LVDs on LV supplies disabled”.</li> <li>- Added “HVD140 does not cause reset” at end of footnote “HVD is released after t<sub>VDRELEASE</sub> temporization when lower threshold is crossed, HVD is asserted t<sub>VDASSERT</sub> after detection when upper threshold is crossed.”</li> <li>- V<sub>LVD295</sub> Rising voltage condition changed Max value “3100” to “3120”.</li> <li>- V<sub>LVD295</sub> Falling voltage condition changed Min value “2950” to “2920” and Max value “3080” to “3100”.</li> <li>- V<sub>HVD360</sub> Rising voltage condition changed Min value “3420” to “3435” and Max value “3610” to “3650”.</li> <li>- V<sub>HVD360</sub> Falling voltage condition changed Min value “3400” to “3415”.</li> </ul> <p><b>Table 44 (Functional terminals state during power-up and reset):</b></p> <ul style="list-style-type: none"> <li>- Replaced “Weak pull-down” with “Weak pull-up” for ESR1 in Power-up, reset, and default states</li> <li>- Replaced “ERROR” with “ERROR[0]”</li> <li>- Updated note 6</li> <li>- ESR1 POWER-UP Pad State changed to <i>Weak pull-down</i>.</li> </ul> <p><b>Table 45 (Flash memory program and erase specifications):</b> Updated the values.</p> <p><b>Table 46 (Flash memory Life Specification):</b> Replaced “K” with “k” in the unit column</p> <p><b>Section 3.18.1, Flash read wait state and address pipeline control settings:</b> Added this section</p> <p>Moved I<sup>2</sup>C AC timing specification after section “UART timing”          Moved “UART timing” section after “PSI5 timing”</p> <p><b>Table 48 (K2 Flash memory program and erase specifications(pending silicon characterization))</b></p> <ul style="list-style-type: none"> <li>- Complete rework of table and contents.</li> <li>- In row t<sub>dwprogram</sub>:             <ul style="list-style-type: none"> <li>• removed Initial max parameter classification</li> <li>• Lifetime max changed to 650</li> </ul> </li> <li>- In row t<sub>pprogra</sub>:             <ul style="list-style-type: none"> <li>• Initial max parameter classification removed</li> </ul> </li> <li>- Added row t<sub>pprogrameep</sub> [KGD]</li> <li>- In row t<sub>qprogram</sub>:             <ul style="list-style-type: none"> <li>• Typical end of life changed to 396</li> </ul> </li> <li>- Added row t<sub>qprogrameep</sub> [KGD]</li> </ul>

**Table 74. Revision history(Continued)**

Revision	Date	Description of changes
3 (cont'd)	31 Jan 2014	<p>– Differentiated rows <math>t_{16kprogrameep}</math> with [KGD] and [Packaged part]</p> <p>– In row <math>t_{16kprogrameep}</math> [Packaged part]:</p> <ul style="list-style-type: none"> <li>• Typ value changed to 31</li> <li>• Initial max 25 °C changed to 40</li> <li>• Initial max All temp changed to 58</li> <li>• Typical end of life changed to 64</li> </ul> <p>– In row <math>t_{16kprogrameep}</math> [KGD]:</p> <ul style="list-style-type: none"> <li>• Typ value changed to 40.5</li> <li>• Initial max 25 °C changed to 52.5</li> </ul> <p>– In row <math>t_{pr}</math>:</p> <ul style="list-style-type: none"> <li>• Characteristics footnote changed to <i>Rate computed based on 256K sectors.</i></li> </ul> <p>– In row <math>t_{fferase}</math>:</p> <ul style="list-style-type: none"> <li>• Characteristics footnote changed to <i>Only code sectors, not including EEPROM</i></li> </ul> <p>– In row <math>t_{PSRT}</math>:</p> <ul style="list-style-type: none"> <li>• Characteristics footnote changed to <i>Time between suspend resume and...</i></li> </ul> <p>– In row <math>t_{PSUS}</math>:</p> <ul style="list-style-type: none"> <li>• Initial max 25 °C value removed</li> </ul> <p>– In row <math>t_{ESUS}</math>:</p> <ul style="list-style-type: none"> <li>• characteristics footnote changed to <i>Timings guaranteed by design.</i></li> <li>• Initial max 25 °C value removed</li> </ul> <p>– Added row <math>t_{AICOP}</math></p> <p>– Footnote: <i>For memory sizes &gt; 1 MB and...</i> changed to <i>Actual hardware programming times...</i></p> <p>Added new <a href="#">Section 3.19.2, DSPI timing with CMOS and LVDS pads</a></p> <p><a href="#">Table 48 (JTAG pin AC electrical characteristics)</a>: Added footnote “JTAG timing specified at <math>V_{DD\_HV\_IO\_JTAG} = 4.0\text{ V to }5.5\text{ V}</math>, and maximum loading per pad type as specified in the I/O section of the data sheet.”</p> <p><a href="#">Table 49 (Nexus debug port timing)</a>:</p> <ul style="list-style-type: none"> <li>– <math>t_{TCYC}</math> (TCK cycle time) min value changed to 2</li> <li>– Header “1K cycles” modified to “1k cycles”.</li> <li>– Footnote 1 changed to “Nexus timing specified at <math>V_{DD\_HV\_IO\_JTAG} = 4.0\text{ V to }5.5\text{ V}</math>, and maximum loading per pad type as specified in the I/O section of the data sheet.”</li> <li>– Added (TDO sampled on posedge of TCK) to <math>t_{TCYC}</math> in the characteristics column and changed the min value from “36” to “40”</li> </ul> <p><a href="#">Section 3.19.4, FlexRay timing</a>:</p> <p>Added new section that includes “DSPI CMOS Slave timing - Modified Transfer Format (MTFE = 1)” table and timing diagrams “DSPI Slave Mode - Modified transfer format timing (MFTE = 1) — CPHA = 0” and “DSPI Slave Mode - Modified transfer format timing (MFTE = 1) — CPHA = 1”.</p> <p><a href="#">Table 58 (DSPI CMOS Slave timing - Modified Transfer Format (MTFE = 0/1))</a>:</p> <ul style="list-style-type: none"> <li>– Changed table title “(MTFE = 1)” to “(MTFE = 0/1)”</li> <li>– Added footnote 1 to table title “DSPI slave operation is only supported for a single master and single slave on the device. Timing is valid for that case only.”</li> </ul> <p><a href="#">Figure 40 (DSPI Slave Mode - Modified transfer format timing (MFTE = 0/1)—CPHA = 0)</a>: Changed figure title “(DSPI Slave Mode - Modified transfer format timing (MFTE = 1) — CPHA = 0) to “(DSPI Slave Mode - Modified transfer format timing (MFTE = 0/1) — CPHA = 0)”.</p>

Table 74. Revision history(Continued)

Revision	Date	Description of changes
3 (cont'd)	31 Jan 2014	<p><i>Figure 41 (DSPI Slave Mode - Modified transfer format timing (MFTE = 0/1)—CPHA = 1)</i>: Changed figure title “(DSPI Slave Mode - Modified transfer format timing (MFTE = 1) — CPHA = 1)” to “(DSPI Slave Mode - Modified transfer format timing (MFTE = 0/1) — CPHA = 1)”</p> <p><i>Figure 59 (144 LQFP-EP package mechanical drawing (1 of 3)), Figure 60 (144 LQFP-EP package mechanical drawing (2 of 3)), Figure 61 (144 LQFP-EP package mechanical drawing (3 of 3))</i>: Updated the figures.</p> <p><i>Figure 69 (172-pin FusionQuad® TQFP (1 of 4)), Figure 70 (172-pin FusionQuad® TQFP (2 of 4))</i>: Updated the figures. Added 2 new figures: <i>Figure 71 (172-pin FusionQuad® TQFP (3 of 4)), Figure 72 (172-pin FusionQuad® TQFP (4 of 4))</i>.</p> <p>In &lt;Cross Refs&gt;Equation 7 description, <math>T_T</math> updated to <math>T_B</math> and <math>\Psi_{JT}</math> updated to <math>\Psi_{PB}</math> as mentioned in the equation.</p> <p><i>Table 59 (RMII serial management channel timing)</i>: – Added note “RMII timing is valid only up to a maximum of 150 °C junction temperature” and applied K2 tag – Added note “Output parameters are valid for CL = 25 pF, where CL is the external load to the device. The internal package capacitance is accounted for, and does not need to be subtracted from the 25 pF value” to the value column and applied K2 tag</p> <p><i>Table 60 (RMII receive signal timing)</i>: Added note “RMII timing is valid only up to a maximum of 150 °C junction temperature”</p> <p><i>Table 61 (RMII transmit signal timing)</i>: – R6 (REF_CLK to TXD[1:0], TX_EN valid) Max Value changed to 16 ns. – Added footnote: <i>Output parameters are valid for...</i> – Added note “RMII timing is valid only up to a maximum of 150 °C junction temperature” – Updated table footnotes</p> <p><i>Table 64 (RxD input characteristics)</i>: Added footnote 1 “FlexRay RxD timing is valid for all input levels and hysteresis disabled.”</p> <p><i>Table 71 (Thermal characteristics for eTQFP144)</i>: – All table Min and Max values revised.</p> <p><i>Table 84 (Thermal characteristics for FQ172(144/28) FusionQuad® package)</i>: – All table Min and Max values revised.</p> <p><i>Table 72 (Thermal characteristics for eLQFP176)</i>: – All table Min and Max values revised.</p> <p><i>Table 86 (Thermal characteristics for FQ216(176/40) FusionQuad® package)</i>: – All table Min and Max values revised.</p> <p><i>Section 4, Package characteristics</i>: Added <i>Table 70 (Package case numbers)</i></p>

Table 74. Revision history(Continued)

Revision	Date	Description of changes
4	19 Dec 2014	<p><i>Section 1.1, Document overview:</i></p> <ul style="list-style-type: none"> <li>– Added note.</li> </ul> <p><i>Table 2 (MPC5744K/SPC574Kx device feature summary):</i></p> <ul style="list-style-type: none"> <li>– Replaced “SIMD” with “LSP” in I/O processor.</li> <li>– Added cache row to I/O processor.</li> <li>– Added 140 MHz to Main processor frequency.</li> <li>– Added 70 MHz to I/O processor frequency.</li> <li>– Replaced “2 x 4 x 256-bit” with “2 x 2 x 256-bit” in Flash memory fetch accelerator.</li> <li>– Replaced M_CAN/M_TTCAN with CAN (M_CAN/M_TTCAN)    3 (2/1)x.</li> <li>– Replaced 2/1 with 3 (2/1).</li> <li>– Added RMII to Ethernet.</li> <li>– Replaced “365 sources” with “360 sources” in Interrupt controller</li> <li>– Removed 1.2 V from External power supplies.</li> <li>– Moved notes from 144 LQFP-EP/eTQFP1445 and 176 LQFP-EP/eLQFP176 to 172-pin FusionQuad® and 216-pin FusionQuad® in Packages.</li> </ul> <p><i>Figure 1 (Block diagram):</i></p> <ul style="list-style-type: none"> <li>– Changed “Calibration Bus” to “Calibration Interface”.</li> </ul> <p><i>Figure 2 (Periphery allocation):</i></p> <ul style="list-style-type: none"> <li>– Replaced SRX_0 with SENT_SRX_0 and SRX_1 with SENT_SRX_1.</li> </ul> <p><i>Section 1.5, Feature overview:</i> Replaced SIUL with SIUL2.</p> <ul style="list-style-type: none"> <li>– Removed “UART” from “UART Serial Boot Mode Protocol”.</li> <li>– Replaced “Boot Assist Module (BAM)” with “Boot Assist Flash (BAF)”.</li> <li>– Removed LIN from UART / LIN.</li> <li>– Removed FlexRay.</li> </ul> <p><i>Figure 3 (144-pin QFP and 172-pin FQ configuration (top view)):</i></p> <ul style="list-style-type: none"> <li>– Replaced VDD_LV_BD with NC/VDD_LV_BD and added a note on pin 10.</li> <li>– Removed FQ from the second note.</li> </ul> <p><i>Figure 4 (176-pin QFP and 216-pin FQ configuration (top view)):</i></p> <ul style="list-style-type: none"> <li>– Added note on pins 10 and 154.</li> <li>– Replaced VDD_LV_BD with NC/VDD_LV_BD and added a note on pin 10.</li> </ul> <p><i>Section 2.2.1, Power supply and reference voltage pins:</i></p> <ul style="list-style-type: none"> <li>– Added a note.</li> </ul> <p><i>Table 4 (LVDSM pin descriptions):</i></p> <ul style="list-style-type: none"> <li>– Changed the signals of the port pins PA[8], PA[7], PA[9], and PA[5] in “Debug LFAST” functional block.</li> </ul> <p><i>Section 3.2, Parameter classification:</i></p> <ul style="list-style-type: none"> <li>– Removed note.</li> </ul> <p><i>Table 6 (Absolute maximum ratings):</i></p> <ul style="list-style-type: none"> <li>– In Notes, Changed T<sub>J</sub>= 165 °C to 125 °C.</li> <li>– Changed the classification of T<sub>STG</sub> from “C” to “T”.</li> <li>– Changed the classification of STORAGE from “C” to “—”.</li> <li>– Added note to V<sub>DD_HV_ADV</sub>.</li> </ul>

Table 74. Revision history(Continued)

Revision	Date	Description of changes
4 (cont'd)	19 Dec 2014	<p><b>Table 9 (Conducted emissions testing specifications):</b>  – Replaced EXTCLK with SYSCLK in External clock.</p> <p><b>Table 12 (Device operating conditions):</b>  – In footnote (“The PMC supply voltage...”), replaced cross-reference to PMC operating conditions and external regulators supply voltage table, which has been removed, with a text reference to the <math>V_{DD\_HV\_PMC}</math> specification.  – Removed <math>V_{DD\_HV\_IO\_FLEXE}</math>.  – For <math>V_{DD\_HV\_FLA}</math> replaced “SR” with “CC”.  – Replaced “P” with “C” in <math>T_J</math> for 165 °C.  – For <math>V_{DD\_HV\_IO\_JTAG}</math> replaced “P” with “C” and added another row for “P”.  – For <math>V_{DD\_HV\_ADV}</math>, replaced “D” with “P” and replaced “P” with “C”.  – For <math>V_{DD\_HV\_ADR}</math> replaced “P” with “C” and added another row for “P” (SD ADC supply reference voltage).  – For <math>V_{DD\_HV\_ADR}</math> replaced “P” with “C” and added another row for “P” (SARADC reference).  – Removed <math>V_{RAMP\_LV}</math>.</p> <p><b>Table 13 (Emulation (buddy) device operating conditions):</b>  – Replaced “P” with “C” in <math>T_{J\_BD}</math> for 165 °C.  – Removed <math>V_{RAMP\_BD}</math>.  – Added <math>V_{RAMP\_LV\_BD}</math> and <math>V_{RAMP\_HV\_BD}</math>.</p> <p><b>Table 16 (DC electrical specifications):</b>  – For <math>I_{DDAPP}</math> replaced “<math>T_J &lt; 144</math> °C” with “<math>T_J &lt; 142</math> °C”.  – For <math>I_{DDAPP}</math> replaced “<math>T_J &lt; 165</math> °C” with “<math>f_{SYS} = 140</math> MHz, <math>T_J &lt; 165</math> °C”.  – For <math>I_{DD\_MAIN\_CORE\_AC}</math> replaced “200 MHz” with “<math>f_{SYS} = 160</math> MHz”.  – For <math>I_{DD\_CHKR\_CORE\_AC}</math> replaced “160 MHz” with “<math>f_{SYS} = 160</math> MHz”.  – For <math>I_{DDAR}</math> replaced “At 55 °C” with “<math>T_J = 165</math> °C”.  – For <math>I_{DDOFF}</math> replaced “P” with “T”.  – For <math>V_{REF\_BG\_LR}</math> replaced all “P” with all “T”.  – Removed note from maximum value of <math>T_J = 150</math> °C condition.  – Replaced <math>I_{DDAPP}</math> with <math>I_{DDMAX}</math> in the note below the table.</p> <p><b>Section 3.17.2, Main voltage regulator electrical characteristics:</b>  – Added text “internally connected to <math>V_{DD\_HV\_IO\_MAIN}</math> supply” to the first line.</p> <p><b>Section 3.18.1, Flash read wait state and address pipeline control settings:</b>  – Replaced C55FMC with Flash.</p> <p><b>Table 18 (I/O input DC electrical characteristics):</b>  – For <math>I_{LKG\_MED}</math> added <math>4.5\text{ V} &lt; V_{DD\_HV} &lt; 5.5\text{ V}</math>  <math>V_{SS\_HV} &lt; V_{IN} &lt; V_{DD\_HV}</math> in the “conditions” column.  – For <math>V_{ILAUT}</math> replaced maximum value “2.2” with “2.1” and added a note to it.  – For <math>V_{HYSAUT}</math> replaced minimum value “0.5” with “0.4” and added a note to it</p> <p><b>Table 19 (I/O pull-up/pull-down DC electrical characteristics):</b>  – <math>I_{WPU}</math>, <math>I_{WPD}</math>: revised these specifications.</p>



Table 74. Revision history(Continued)

Revision	Date	Description of changes
4 (cont'd)	19 Dec 2014	<p><b>Figure 9 (I/O output DC electrical characteristics definition):</b></p> <ul style="list-style-type: none"> <li>– Updated the figure. <math>t_{PD10-90}</math> (rising edge) replaced by <math>t_{PLH}</math> (rising edge) and <math>t_{PD10-90}</math> (falling edge) replaced by <math>t_{PHL}</math> (falling edge). Added 50% dotted line.</li> </ul> <p><b>Table 20 (WEAK configuration output buffer electrical characteristics):</b></p> <ul style="list-style-type: none"> <li>– Replaced the minimum value of <math>R_{OH\_W}</math> with “520” from “560”.</li> </ul> <p><b>Table 22 (STRONG configuration output buffer electrical characteristics):</b></p> <ul style="list-style-type: none"> <li>– Added <math> t_{SKEW\_S} </math> parameter.</li> </ul> <p><b>Table 23 (VERY STRONG configuration output buffer electrical characteristics):</b></p> <ul style="list-style-type: none"> <li>– Added <math>I_{DCMAX\_VS}</math> specification.</li> </ul> <p><b>Table 25 (Reset electrical characteristics):</b></p> <ul style="list-style-type: none"> <li>– For <math>V_{HYS}</math>, replaced minimum value “300” with “275”.</li> <li>– For <math>W_{FNMI}</math>, replaced maximum value “20” with “15”.</li> </ul> <p><b>Table 26 (PLL0 electrical characteristics):</b></p> <ul style="list-style-type: none"> <li>– In <math>f_{PLL0IN}</math> added a second note to parameter column.</li> </ul> <p><b>Table 27 (PLL1 electrical characteristics):</b></p> <ul style="list-style-type: none"> <li>– Removed <math>t_{PLL1JIT}</math>.</li> <li>– Updated all the minimum and maximum values of <math>g_m</math>.</li> <li>– Removed note 6 from below the table.</li> </ul> <p><b>Table 28 (External Oscillator electrical specifications):</b></p> <ul style="list-style-type: none"> <li>– In <math>g_m</math>, changed the minimum and maximum frequencies.</li> </ul> <p><b>Table 30 (Internal RC oscillator electrical specifications):</b></p> <ul style="list-style-type: none"> <li>– Moved the footnote from <math>\delta f_{var\_T}</math> to <math>\delta f_{var\_SW}</math>.</li> <li>– Updated the description of <math>\delta f_{var\_SW}</math>.</li> <li>– Removed <math>I_{AVDD5}</math>.</li> <li>– Removed <math>I_{DVDD12}</math>.</li> </ul> <p><b>Table 26 (SARn ADC electrical specification):</b></p> <ul style="list-style-type: none"> <li>– Added <math>\Delta TUE_{10}</math>.</li> <li>– For <math>V_{ALTREF}</math> replaced “P” with “C” and added another row for “P”.</li> <li>– For <math>I_{ADV\_S}</math>, reorganised the notes and added a note to “Power Down mode”.</li> <li>– Changed the minimum and maximum value of DNL.</li> <li>– Removed INL.</li> <li>– Revised condition entries for <math>t_{ADCPRECH}</math> and <math>\Delta V_{PRECH}</math>.</li> </ul> <p><b>Table 34 (SDn ADC electrical specification):</b></p> <ul style="list-style-type: none"> <li>– Updated <math>SNR_{SE150}</math>.</li> <li>– In <math>V_{cmrr}</math> specification: changed min value to 54 dB (was 20 dB).</li> <li>– Replaced “<math>V_{cmrr}</math>” with “CMRR”.</li> <li>– <math>\delta_{GROUP}</math> specification: changed OSR = 75 max value to 699 Tclk (was 646), changed OSR = 96 max value to 949.5 Tclk (was 946.4).</li> <li>– <math>V_{OFFSET}</math>: Changed parameter name to “Input Referred Offset Error” (was “Conversion Offset”) and added footnote (“Conversion offset error must be...”).</li> </ul>

**Table 74. Revision history(Continued)**

Revision	Date	Description of changes
4 (cont'd)	19 Dec 2014	<ul style="list-style-type: none"> <li>– The maximum value changed from “15” to “16” for the maximum value for GAIN.</li> <li>– Added note to <math>t_{LATEncy}</math> and <math>t_{SETTLING}</math>.</li> <li>– SNR<sub>SE150</sub> specification: changed footnote to “This parameter is guaranteed by bench validation with a small sample of typical devices, and tested in production to a value of 6 dB less” (was 2 dB less).</li> </ul> <p>Removed the Table : Electrical specifications.</p> <p><i>Table 42 (Voltage monitor electrical characteristics):</i></p> <ul style="list-style-type: none"> <li>– Changed the minimum and maximum value of VLVD108.</li> <li>– Updated the minimum and maximum value of V<sub>PORUP_HV</sub>.</li> </ul> <p><i>Table 47 (Flash memory RWSC configuration):</i></p> <ul style="list-style-type: none"> <li>– Replaced “40 – 160 MHz” with “140 – 160 MHz” in the Platform Frequency column.</li> </ul> <p><i>Table 52 (DSPI channel frequency support):</i></p> <ul style="list-style-type: none"> <li>– Added CMOS Slave mode.</li> </ul> <p><i>Table 64 (RxD input characteristics):</i></p> <ul style="list-style-type: none"> <li>– Revised footnote (“FlexRay RxD timing is valid. . .”).</li> </ul> <p><i>Section 3.19.8, GPIO delay timing:</i></p> <ul style="list-style-type: none"> <li>– Added this section.</li> </ul> <p><i>Table 65 (Order codes):</i></p> <ul style="list-style-type: none"> <li>– Replaced EMU574K72K5-AA, EMU574K72K7-AA with EMU574K72K5-BB and EMU574K72K7-BB respectively.</li> <li>– Removed figure “Emulation device code structure EMU574M72K5-AA”.</li> </ul>

**Table 74. Revision history(Continued)**

Revision	Date	Description of changes
5	30 March 2015	<p>Following are the changes:</p> <p><b>Table 6 (Absolute maximum ratings):</b> In the classification column, replaced all “C” with “D”.</p> <p><b>Table 12 (Device operating conditions):</b> For <math>V_{DD\_LV}</math>, replaced “D” with “P” and “P” with “D” in the respective rows of the classification column. Replaced <math>V_{DD\_HV\_ADR}</math> with <math>V_{DD\_HV\_ADR\_D}</math>, and <math>V_{SS\_HV\_ADR}</math> with <math>V_{SS\_HV\_ADR\_D}</math>.</p> <p><b>Table 13 (Emulation (buddy) device operating conditions):</b> Replaced “C” with “T” in the classification column of “Data trace frequency”.</p> <p><b>Table 16 (DC electrical specifications):</b> Replaced “C” with “T” in the classification column of 165 °C parameters. Replaced maximum value of “350” with “450” for <math>I_{DD}</math> parameter. Replaced maximum value of “370” with “470” for <math>I_{DDPE}</math> parameter. Replaced maximum values of “260” with “340” and “280” with “360” for <math>I_{DDAPP}</math> parameter. Updated <math>I_{DDAR}</math>. Added note to <math>I_{SPIKE}</math>.</p> <p><b>Table 18 (I/O input DC electrical characteristics):</b></p> <p>Updated note in maximum value of <math>V_{IHAUT}</math>. Replaced 4.0 with 3.6 in note below the table: “3.0 V &lt; <math>V_{DD\_HV\_IO}</math> &lt; 4.0 V”</p> <p><b>Table 19 (I/O pull-up/pull-down DC electrical characteristics):</b> Added maximum value of “65” to <math> I_{WPU} </math>. Added maximum value of “50” to <math> I_{WPD} </math>. Added condition for <math>R_{WPU}</math> and <math>R_{WPD}</math>.</p>

Table 74. Revision history(Continued)

Revision	Date	Description of changes
5 (cont'd)	30 March 2015	<p><b>Table 25 (Reset electrical characteristics):</b>  Replaced “P” with “C” in the classification column of <math>I_{OL\_R}</math> parameter.  Replaced “12” with “8” in the minimum value of <math>I_{OL\_R}</math> parameter.  Updated <math> I_{WPU} </math> and <math> I_{WPD} </math> parameters.  Added “C” classification to the second row of <math>I_{OL\_R}</math>.</p> <p><b>Table 26 (PLL0 electrical characteristics):</b>  Added <math>f_{PLL0FREE}</math> parameter.</p> <p><b>Table 27 (PLL1 electrical characteristics):</b>  Added <math>f_{PLL1FREE}</math> parameter.</p> <p><b>Table 28 (External Oscillator electrical specifications):</b>  Updated the classification and condition values of <math>g_m</math>.  Removed the first note.</p> <p><b>Table 32 (ADC pin specification):</b>  Added <math>\Sigma I_{ADV}</math> parameter.</p> <p><b>Table 26 (SARn ADC electrical specification):</b>  Replaced “C” with “T” in the first row of the classification column of <math>I_{ADCREFH}</math> parameter and added a footnote to the maximum value.  Updated <math>I_{ADV\_S}</math> parameter.  Added parameter <math>\Sigma I_{ADR\_S}</math>.</p> <p><b>Table 34 (SDn ADC electrical specification):</b>  Replaced “P” with “T” in the classification column of <math>I_{ADV\_D}</math> parameter and .  Replaced maximum value of “15” with “30” for <math>\Sigma I_{ADR\_D}</math> parameter, and added a footnote to the parameter column.</p> <p>Added <math>I_{ADCS/D\_REFH}</math> parameter.</p> <p><b>Table 35 (Temperature sensor electrical characteristics):</b>  Replaced “P” with “C” in the first row of classification column of <math>T_{ACC}</math> parameter.  Replaced “P” with “T” in the first row of classification column of <math>T_{SENS}</math> parameter.</p> <p><b>Table 37 (LFAST transmitter electrical characteristics):</b>  Replaced “C” with “T” in the classification column of <math>I_{LVDS\_TX}</math> parameter.</p>

Table 74. Revision history(Continued)

Revision	Date	Description of changes
5 (cont'd)	30 March 2015	<p><i>Table 39 (LFAST PLL electrical characteristics):</i> Replaced “P” with “T” in the classification column of <math>f_{VCO}</math> parameter and updated note 2.</p> <p><i>Table 38 (MSC/DSPI LVDS transmitter electrical characteristics):</i> Replaced “C” with “T” in the classification column of <math>I_{LVDS\_TX}</math> parameter.</p> <p><i>Table 40 (Aurora LVDS electrical characteristics):</i> For <math> \Delta V_{OD\_LVDS} </math> parameter, removed the “±” from the values.</p> <p><i>Table 41 (Device Power Supply Integration):</i> Replaced maximum value of “300” with “350” for <math>IDD_{MREG}</math> parameter.</p> <p><i>Table 59 (RMII serial management channel timing):</i> For M10 parameter, replaced the minimum value of “0” with “-10”. For M13 parameter, replaced the minimum value of “-10” with “10”. Updated the third footnote.</p> <p><i>Table 64 (RxD input characteristics):</i> Removed “Automotive and” from table footnote.</p> <p><i>Table 71 (Thermal characteristics for eTQFP144):</i> Added <math>P_d</math> parameter.</p> <p><i>Table 72 (Thermal characteristics for eLQFP176):</i> Added <math>P_d</math> parameter.</p>

Table 74. Revision history(Continued)

Revision	Date	Description of changes
5	01 July 2015	<p>Following are the changes:</p> <p>Removed all KGD related information and “<math>T_J = 165\text{ }^\circ\text{C}</math>”.</p> <p><i>Table 2 (MPC5744K/SPC574Kx device feature summary):</i>  Removed 140 MHz from Main processor frequency.  Removed 70 MHz from I/O processor frequency.</p> <p><i>Table 12 (Device operating conditions):</i>  Updated <math>V_{DD\_LV}</math>.  Changed the description of <math>T_J</math> to “Junction Temperature” and description of <math>T_A</math> to “Ambient temperature”.</p> <p><i>Table 22 (STRONG configuration output buffer electrical characteristics):</i>  Updated the minimum values of <math>t_{TR\_S}</math>.</p> <p><i>Table 23 (VERY STRONG configuration output buffer electrical characteristics):</i>  Updated the minimum values of <math>t_{TR\_V}</math>.</p> <p><i>Table 25 (Reset electrical characteristics):</i>  Replaced the minimum value of “11” with “8” for <math>I_{OL\_R}</math> parameter.</p> <p><i>Table 28 (External Oscillator electrical specifications):</i>  For <math>V_{EXTAL}</math>, replaced the maximum values of “1.6” with “1.8”. Removed the second row.</p> <p><i>Table 26 (SARn ADC electrical specification):</i>  Updated the minimum and maximum values of <math>V_{ALTRF}</math> parameter.  Added <math>I_{ADCSAR\_REFH}</math> and <math>I_{ADCSAR\_REFL}</math>.  Removed table footnote “Values are subject to change (possibly improved to <math>\pm 2</math> LSB) after characterization.”</p> <p><i>Table 34 (SDn ADC electrical specification):</i>  Updated the minimum, typical, and maximum values of <math>Z_{IN}</math> for GAIN = 1.</p> <p><i>Table 35 (Temperature sensor electrical characteristics):</i>  Removed the second row of <math>T_{ACC}</math> parameter.</p> <p><i>Table 36 (LVDS pad startup and receiver electrical characteristics):</i>  Removed <math>V_{HYS}</math> parameter.  Replaced “P” with “T” in the classification column of <math> \Delta_{VI} </math> parameter.</p> <p><i>Table 41 (Device Power Supply Integration):</i>  Replaced minimum value of “1.20” with “1.14” for <math>V_{MREG}</math> parameter (After trimming).</p> <p><i>Table 45 (Flash memory program and erase specifications), Table 46 (Flash memory Life Specification), and Table 47 (Flash memory RWSC configuration):</i>  – Removed texts “pending silicon characterization” and “pending silicon Qualification” from table headings.</p> <p><i>Table 42 (Voltage monitor electrical characteristics):</i>  Replaced minimum value of “1400” with “1390” for <math>V_{HVD145}</math> parameter.</p> <p><i>Table 43 (Device supply relation during power-up/power-down sequence):</i>  In the third note below the table, added <math>V_{DD\_HV\_ADR}</math> supply.</p>

**Table 74. Revision history(Continued)**

Revision	Date	Description of changes
6	28 July 2017	<p>RPNs “SPC574K70E5, SPC574K72E5” on the cover page updated to “SPC574Kx”                      RPN “SPC574Kxx” updated to “SPC574Kx” throughout the document                      Updated attached I/O excel sheet “SPC574Kx_IO_Signal_Table.xlsx”  <i>Table 2: MPC5744K/SPC574Kx device feature summary:</i>                      – “CAN (M_CAN/M_TTCAN)” updated to “M_CAN (ISO CAN-FD/TTCAN)”                      – Footnote added for 5V External power supply.  <i>Section 1.5: Feature overview:</i>                      – Reworded the Boot Assist Flash feature.                      – “6 separate 12 bit SAR analog converters” updated to “1 supervisor 12-bit SAR analog converter and 4 separate fast 12-bit SAR analog converters”                      – Added feature “One Ethernet controller....IEEE 802.3-2008”                      – Reworded feature MCAN                      – Reworded feature Power supply voltage  <i>Table 34: SDn ADC electrical specification:</i>                      – Added new parameters “Z<sub>DIFF</sub>”, “Z<sub>CM</sub>”, “R<sub>BIAS</sub>” and “ΔV<sub>INTCM</sub>”                      – Values of parameter “R<sub>BIAS</sub>” updated                      Added <i>Figure 17: S/D impedance generic model</i>  <i>Figure 81: Product code structure:</i>                      – From custom version, “2 = FlexRay” removed                      – From Frequency, “4 = 120MHZ” removed                      – Added footnote “Order on 2M-Byte part numbers...”                      – Added footnote “Features (eg., flash, RAM....”</p>

**IMPORTANT NOTICE – PLEASE READ CAREFULLY**

STMicroelectronics NV and its subsidiaries ("ST") reserve the right to make changes, corrections, enhancements, modifications, and improvements to ST products and/or to this document at any time without notice. Purchasers should obtain the latest relevant information on ST products before placing orders. ST products are sold pursuant to ST's terms and conditions of sale in place at the time of order acknowledgement.

Purchasers are solely responsible for the choice, selection, and use of ST products and ST assumes no liability for application assistance or the design of Purchasers' products.

No license, express or implied, to any intellectual property right is granted by ST herein.

Resale of ST products with provisions different from the information set forth herein shall void any warranty granted by ST for such product.

ST and the ST logo are trademarks of ST. All other product or service names are the property of their respective owners.

Information in this document supersedes and replaces information previously supplied in any prior versions of this document.

© 2017 STMicroelectronics – All rights reserved