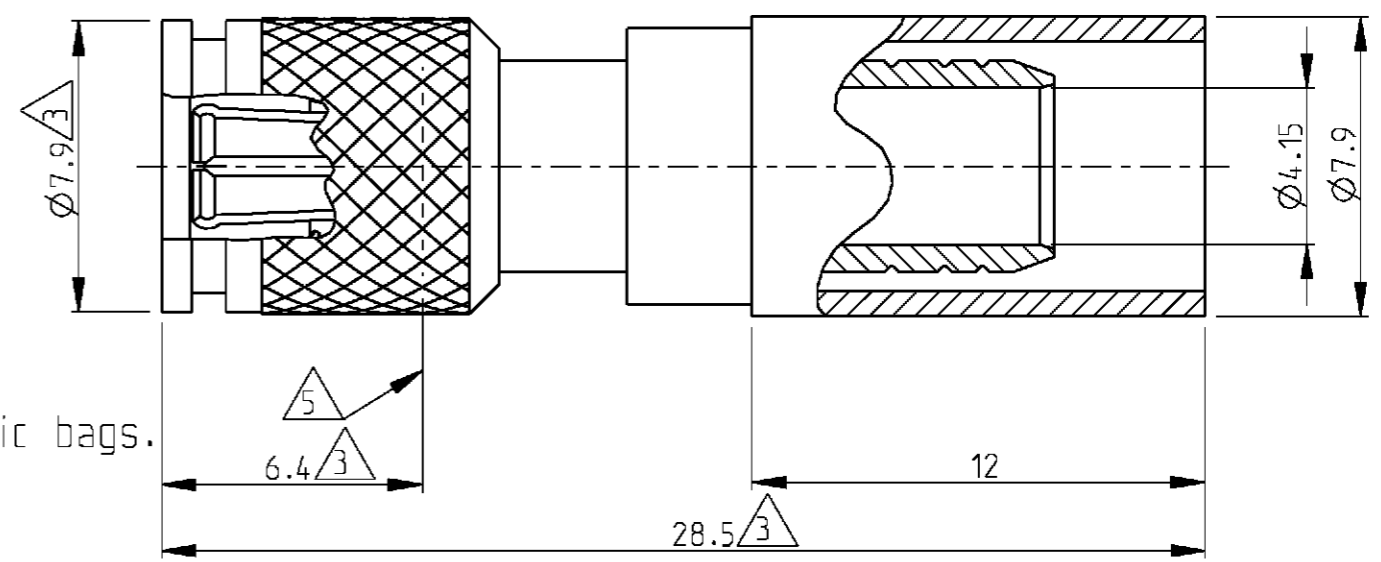


THIS DRAWING IS UNPUBLISHED. RELEASED FOR PUBLICATION 2000
 © COPYRIGHT 2000 BY TYCO ELECTRONICS CORPORATION. ALL RIGHTS RESERVED.

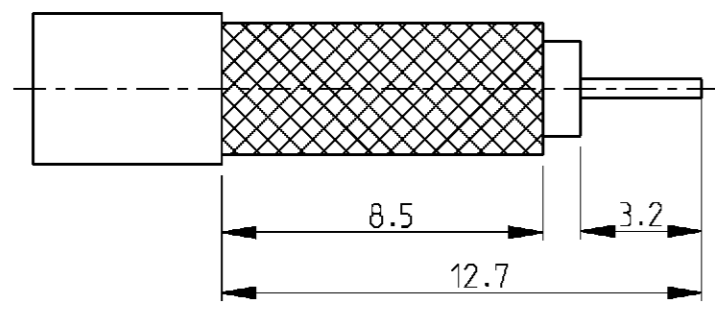
LOC	DIST	REVISIONS						
		P	LTR	DESCRIPTION	DATE	DWN	APVD	
GW	-		01	-		29MAY2001	BL	RL
			02	Tentative		01JUN2001	BL	RL
			03	SR10-0357-02		25JUL2002	KM	RL

- 1) Dimensions of mating face according to IEC 169-29 and CECC 22230
- 2) Full Crimp version : Center conductor sq 1.4 or 8 indent
Outer conductor hex 6.8



- 3 Max. dimensions
- 4 DIN ISO 8015 ; DIN ISO 2768-m-R
- 5 Mechanical reference plane
- 6 Packaging : 250 pieces per box.
Body and loose parts seperately packed into plastic bags.

Cable preparation for cable type LMR-240 FR



Cross reference table

Part number	Cable type	Description	Material	Plating	Packaging
1460010-1	LMR-240 FR	Body	Brass	1 µm Au min in contact area	6
		Center conductor	CuBe	-	
		Dielectric	PTFE	1 µm Au min in contact area	

<small>THIS DRAWING IS A CONTROLLED DOCUMENT FOR TYCO ELECTRONICS CORPORATION. IT IS SUBJECT TO CHANGE AND THE CONTROLLING ENGINEERING ORGANIZATION SHOULD BE CONTACTED FOR THE LATEST REVISION.</small>		DWN B Lenvain 22NOV2000 CHK F. Hellin 29NOV2000 APVD R. Leeman 29NOV2000	Tyco Electronics Oostkamp - Belgium
DIMENSIONS: mm 	TOLERANCES UNLESS OTHERWISE SPECIFIED: 0 PLC ± 1 PLC ± 2 PLC ± 4 3 PLC ± 4 PLC ± ANGLES ±	PRODUCT SPEC - APPLICATION SPEC 114-90009 WEIGHT -	NAME: 1.0/2.3 Cable plug Snap_Lock; Zo=50 ohm for cable LMR-240 FR SIZE: A3 CAGE CODE: 00779 DRAWING NO: 1460010 RESTRICTED TO: -
MATERIAL: -	FINISH: -	CUSTOMER DRAWING	SCALE: 5/1 SHEET: 1 OF 1 REV: 03