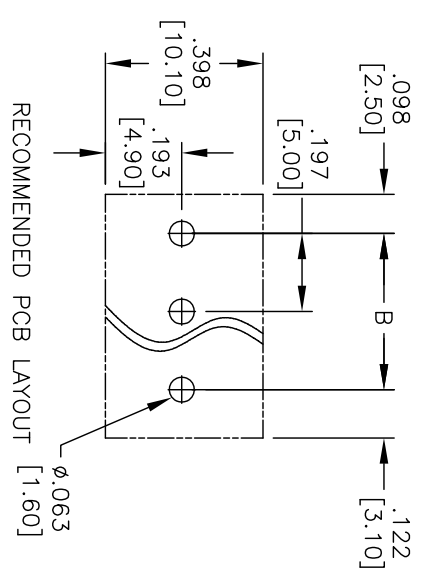
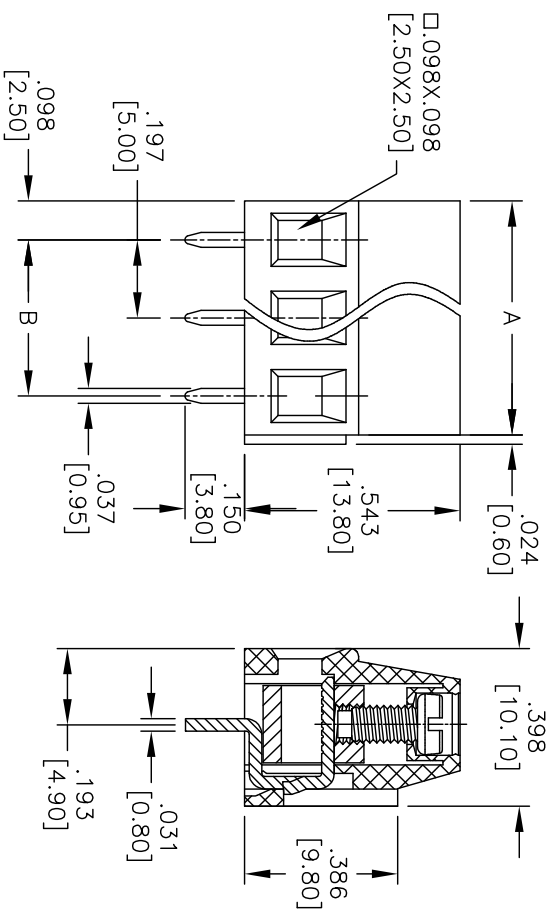
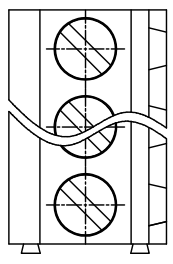


APPROVED: _____
 DATE: _____ TITLE: _____



Poles: 2 thru 24
 A = .197 [5.00] X No. of Positions
 B = .197 [5.00] x No. of Spaces

	Tolerance
2-6P	±.006 [0.15]
7-12P	±.008 [0.20]
13-18P	±.012 [0.30]
19-24P	±.016 [0.40]

SPECIFICATIONS:

Material:
 Insulator: Thermoplastic, rated UL 94V-0
 Insulator color: Green
 Screw: M2.5, Steel, Zn plated.
Electrical:
 Contact: Brass, Tin plated.
 Operation voltage: 300 VAC
 Current rating: 10 Amps
Mechanical:
 Solid wire (AWG): 12-24
 Stranded wire (AWG): 12-24
 Withstanding Voltage: 1.6KV
 Wire strip length: 6-7mm
 Temperature Rating:
 Operating temperature: -40°C to +115°C
Environmental:
 Lead free, RoHS compliant.



Rev	AWO #	Description	Date	Appr
-		RELEASED	9/14/11	
A		ADDED SPEC.	6/27/13	

UNLESS OTHERWISE SPECIFIED	
ALL DIMENSIONS ARE MM [INCHES]	
TOLERANCES: EXCEPT AS NOTED	
INCHES	HOLE
X ± .10	ØXX ±.10
.XX ± .020	ØXX ±.015
.XXX ± .015	ØXXX ±.010
APPROVALS	
DRAWN	AY
CHECKED	
APPROVED	
DATE	9/14/11

ADAM TECH
 909 Rahway Avenue, Union, NJ 07083
 Phone: 908-687-5000 Fax: 908-687-5710

TITLE: EURO BLOCK, .197" [5.00] PITCH

SIZE	PART NO.	REV.
X	EB20-XX-C	
REF:	S00007T	SCALE: NTS
SHEET	1 OF 1	