

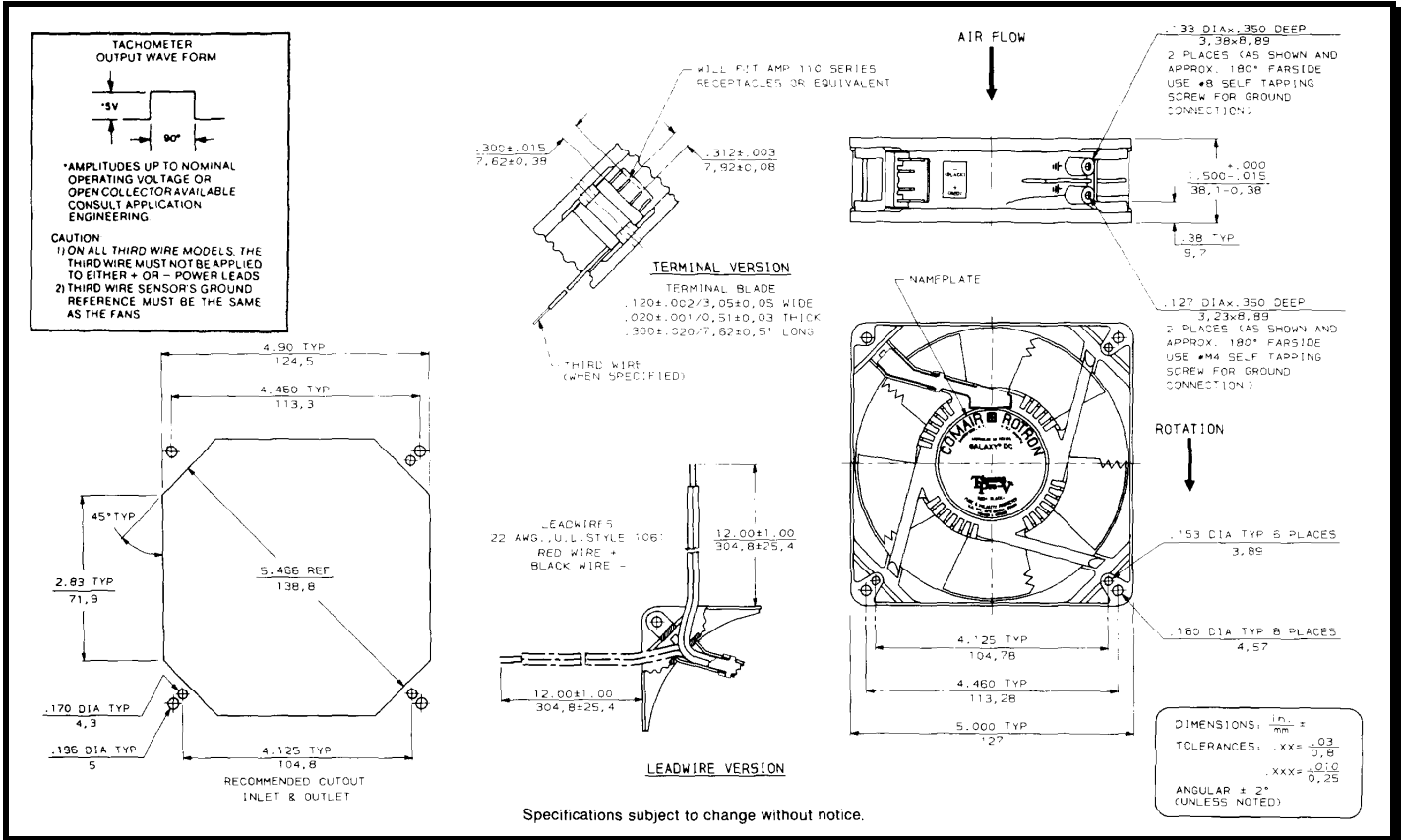
SPECIFICATIONS



Model Number: GLD48B3-E3
Part Number: 17001209A

Version: 00
Jun 13, 2018

Mechanical Drawing:



Motor:

Nominal Voltage	= 48 vdc
Operating Voltage Range	= 36 - 60 vdc
Nominal Running Current	= 0.31 amps
Locked Rotor Current	= 0.93 amps
Running Power	= 14.9 watts
Average Speed	= 3300 rpm
Bearings	= Ball
Air Flow	= 150 CFM
Acoustic	= 53.6 dBA

Construction:

Venturi: Die Cast Aluminum, Black
 Propeller: Plastic, Black, UL 94V-0

Life Expectancy:

This fan is designed for continuous duty life of 60,000 hours at 70°C.

Additional Features:

Brushless DC Motor
 Locked Rotor Protection
 Reverse Polarity Protected
 Automatic Restart Capability
 Operating Temperature: -10°C to 70°C
 Storage Temperature: -40°C to 85°C
 Environmental Protection: Type 3(IP68)

Termination:

12" Lead wires, 22 AWG, UL 1061
 Red = Power (+)
 Black = Ground (-)

Agency Certifications:

UL, CUL, CE

PQ Curve:

