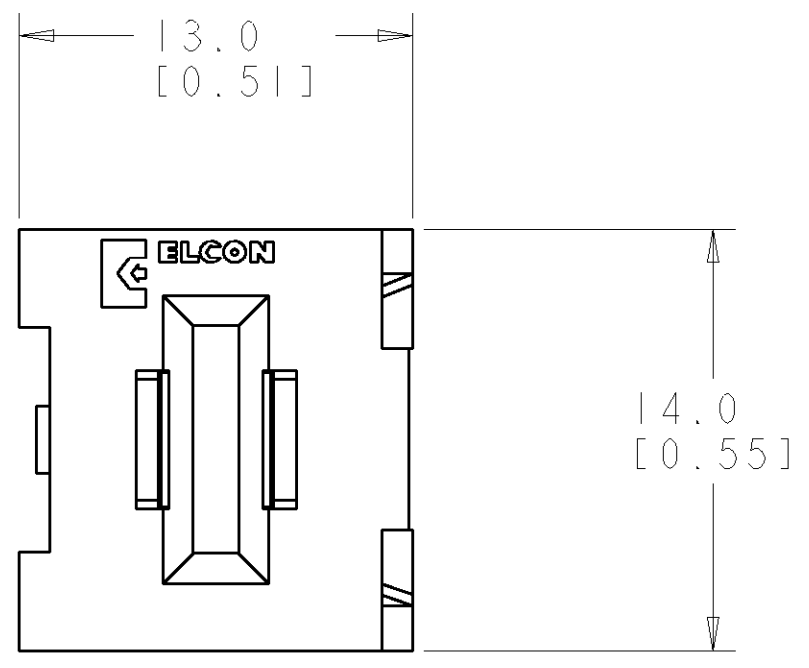
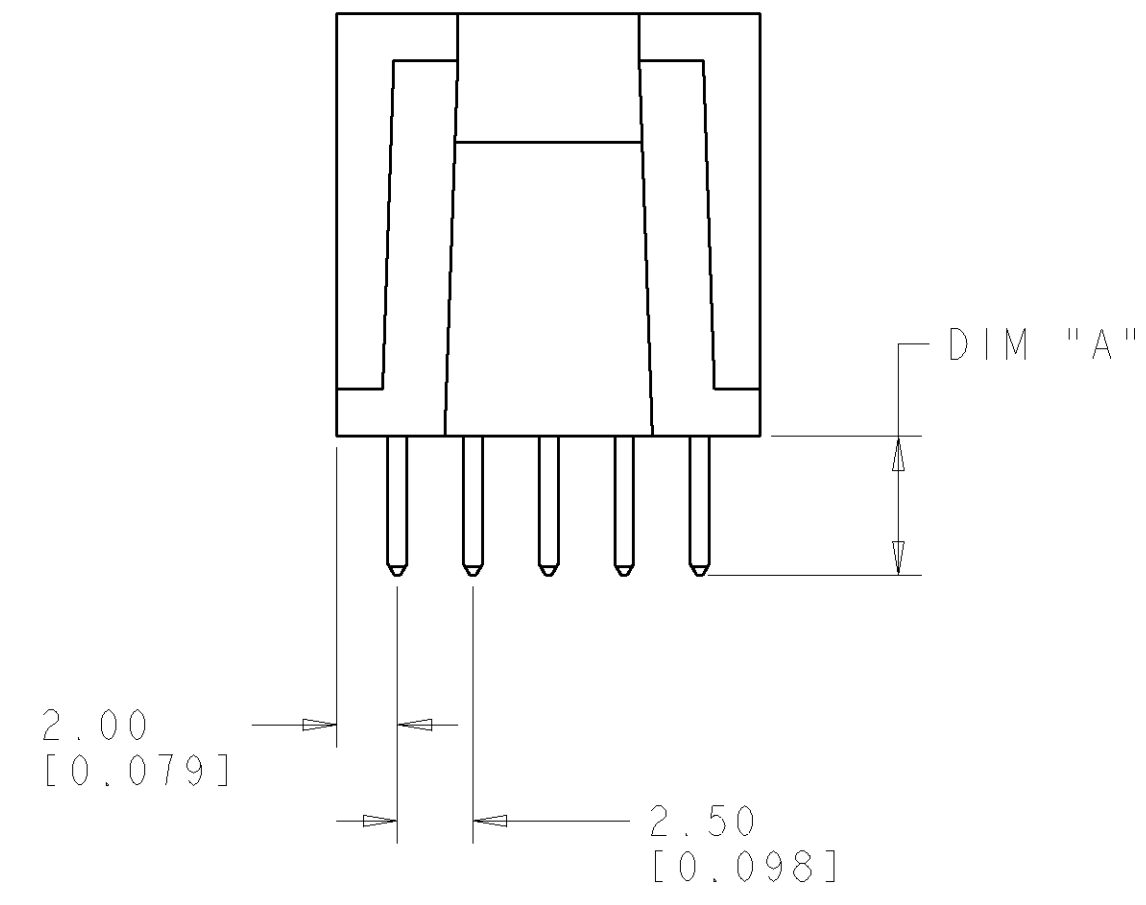
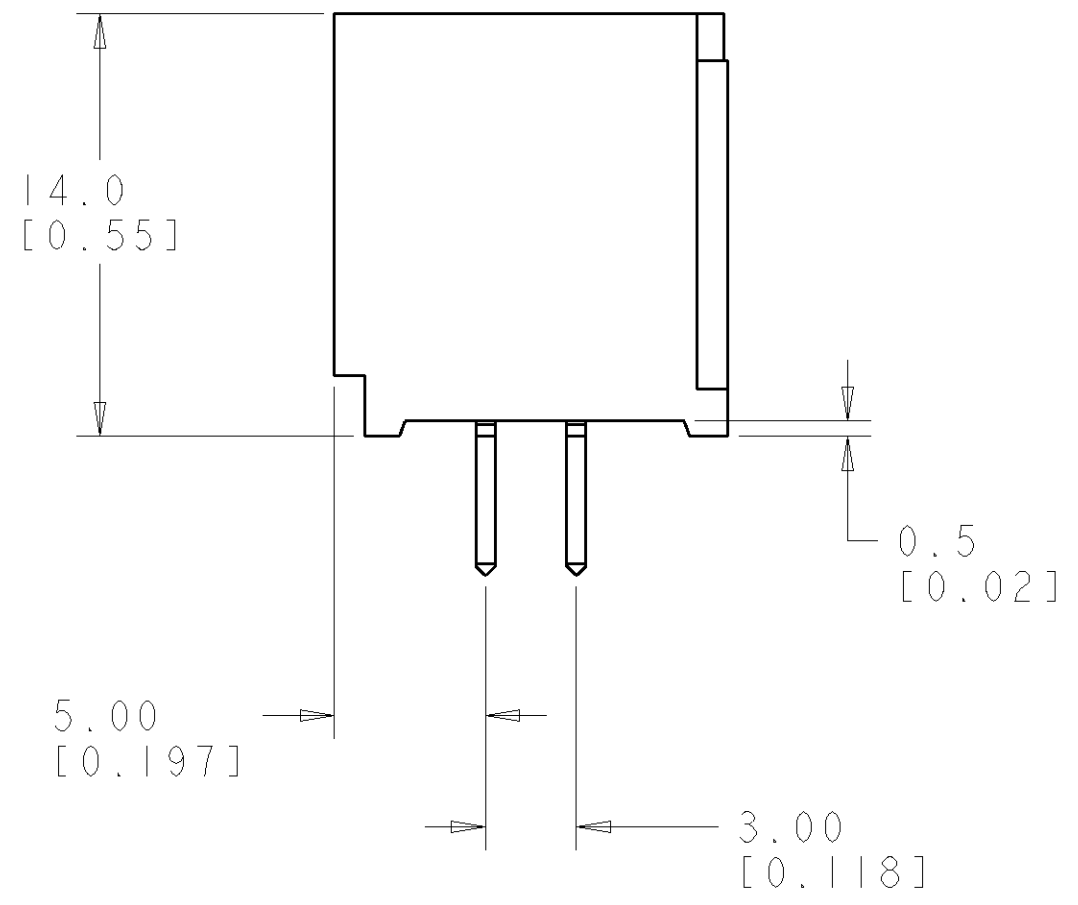
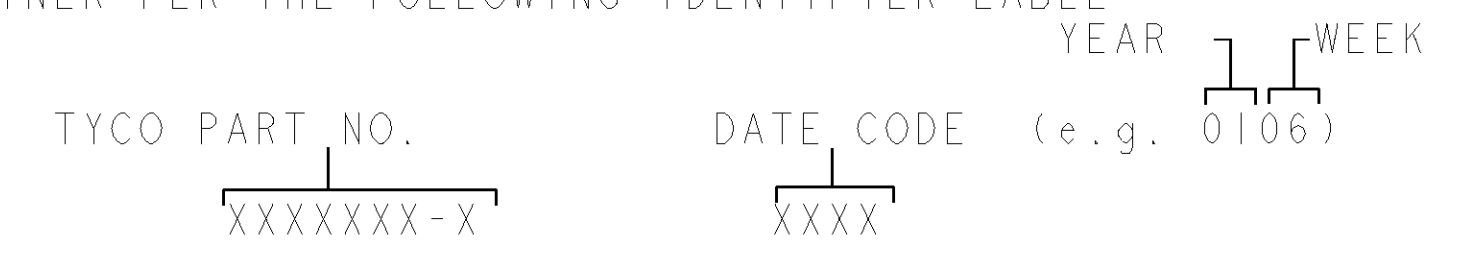


THIS DRAWING IS UNPUBLISHED. RELEASED FOR PUBLICATION 20
 © COPYRIGHT 20 BY TYCO ELECTRONICS CORPORATION. ALL RIGHTS RESERVED.

LOC	DIST	REVISIONS			
P	LTR	DESCRIPTION	DATE	DWN	APVD
GP	00	A	RELEASED	12FEB07	RG PD



- PART NUMBER CHANGES AND OR DESIGN CHANGES AFFECTING ITEM INTERCHANGEABILITY REQUIRE PRIOR TYCO APPROVAL AND AUTHORIZATION BY REVISION TO THIS DRAWING.
- MATERIAL:
 INSULATORS - THERMOPLASTIC, GLASS REINFORCED, COLOR: BLACK
 UL94V-0 FLAMMABILITY RATED.
 POWER CONTACTS - COPPER ALLOY.
- FINISH:
 CONTACTS - GOLD PLATE 0.76µm MIN. THK., OVER NICKEL
 1.27µm MIN. THK
 SOLDER TAILS, TIN 3.05µm MIN. THK. OVER NICKEL
 1.27µm MIN. THK
- ITEMS PROVIDED TO THIS SPECIFICATION TO BE PERMANENTLY IDENTIFIED ON THE CONTAINER PER THE FOLLOWING IDENTIFIER LABEL



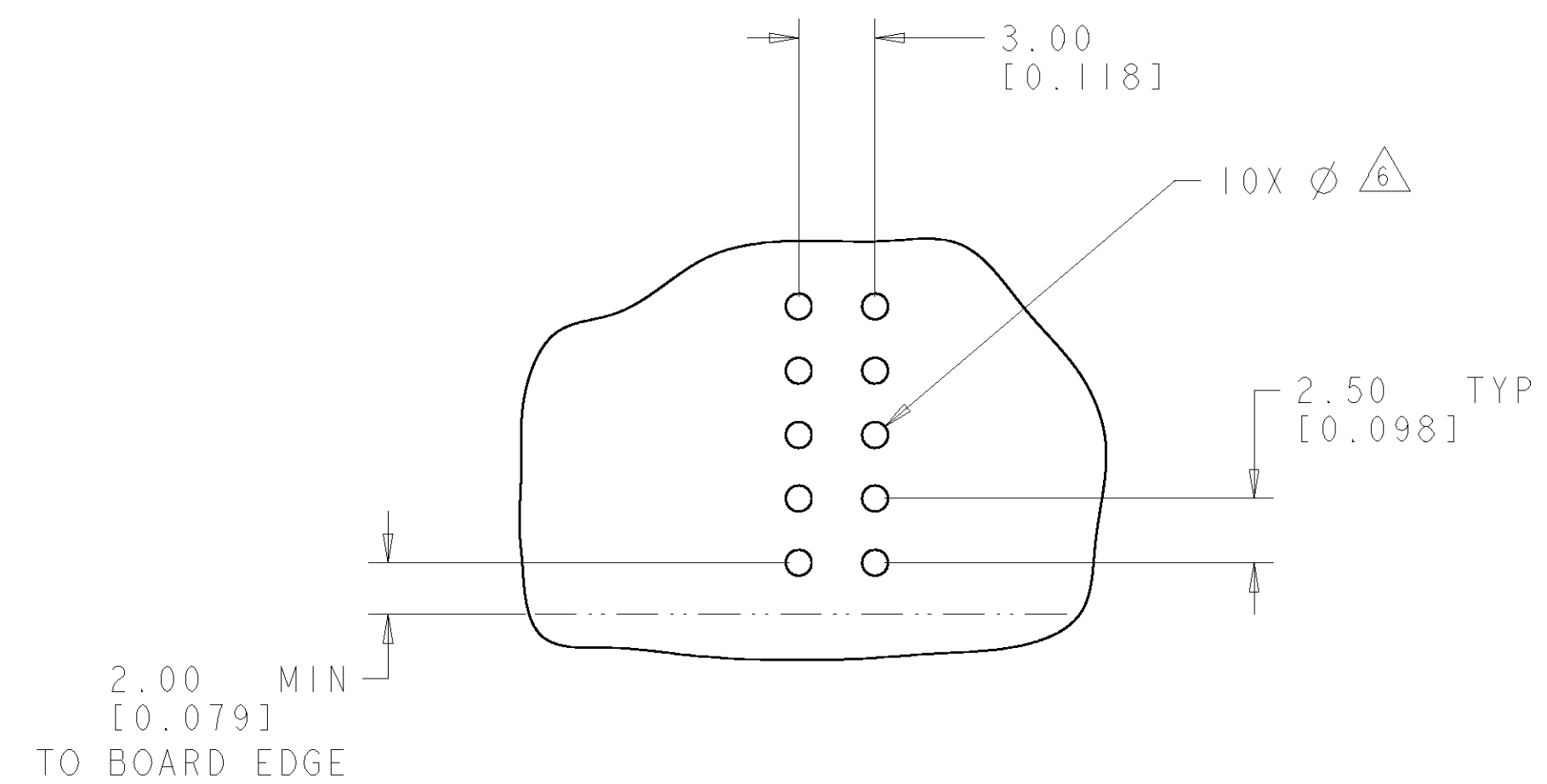
3.56-2.54 [.140-.100]	1926324-2
5.08-4.06 [.200-.160]	1926324-1
DIM "A"	PART NUMBER

THIS DRAWING IS A CONTROLLED DOCUMENT FOR TYCO ELECTRONICS CORPORATION. IT IS SUBJECT TO CHANGE AND THE CONTROLLING ENGINEERING ORGANIZATION SHOULD BE CONTACTED FOR THE LATEST REVISION.		DWN R. GRZYBOWSKI 12FEB07	Tyco Electronics Harrisburg, PA 17105-3608	
DIMENSIONS: mm		CHK P. DAMATO 12FEB07	NAME SOCKET CONNECTOR, STRAIGHT SOLDER, FPI16 FLATPAQ	
TOLERANCES UNLESS OTHERWISE SPECIFIED: 0 PLC ±.3 1 PLC ±.3 2 PLC ±.15 3 PLC ±.15 4 PLC ±.15 ANGLES ±.5 FINISH		APVD S. FLICKINGER 12FEB07	PRODUCT SPEC -	RESTRICTED TO -
MATERIAL -		APPLICATION SPEC -	WEIGHT -	SIZE A2
-		CUSTOMER DRAWING	SCALE 4:1	CAGE CODE G-1926324
-		SHEET 1 OF 3		REV A

ELCON FLATPAQ

THIS DRAWING IS UNPUBLISHED. RELEASED FOR PUBLICATION 20
 © COPYRIGHT 20 BY TYCO ELECTRONICS CORPORATION. ALL RIGHTS RESERVED.

LOC	DIST	REVISIONS					
		P	LTR	DESCRIPTION	DATE	DWN	APVD
GP	00	-		SEE SHEET 1	-	-	-



PRINTED CIRCUIT BOARD LAYOUT
 COMPONENT SIDE

CONNECTOR	CATALOG MODULE #	QTY	SIZE NO.	CONTACT QTY	MATING PIN	MAX. CURRENT (PER CONTACT)	CONTACT SPACING	VOLTAGE RATING
SOCKET	FPI16	1	8	1	1.25 X 7.00 [.049 X .276]	35 amps	7.50 [.2953]	600

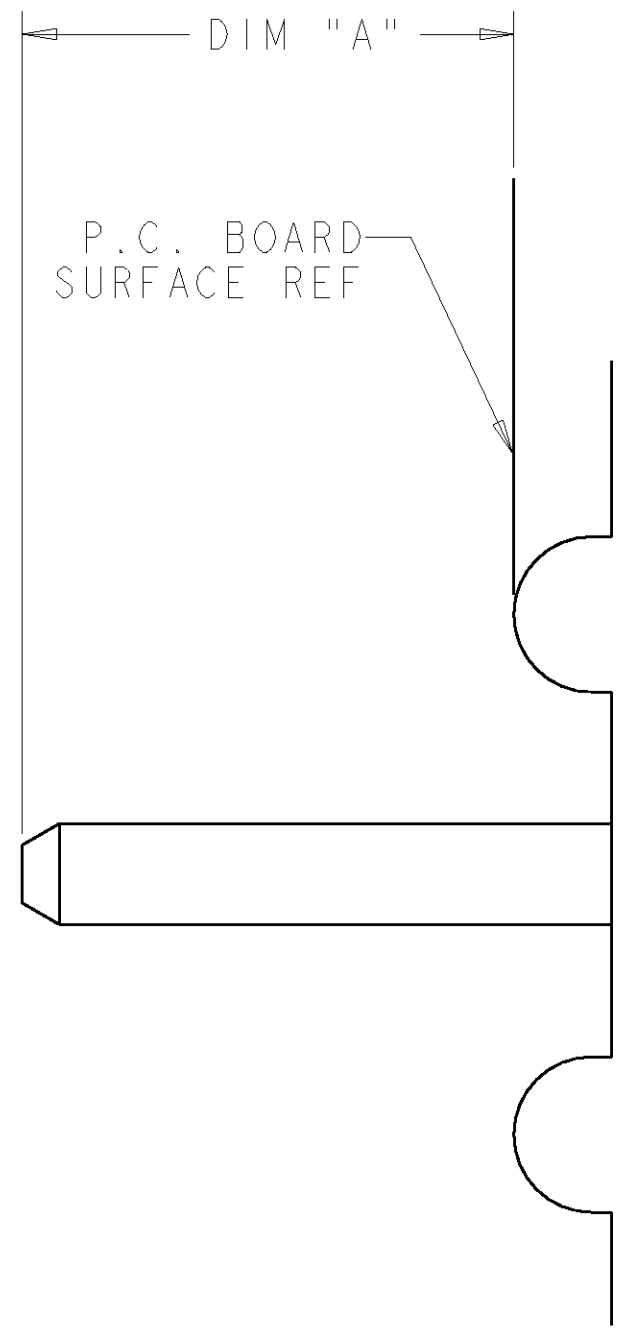
THIS DRAWING IS A CONTROLLED DOCUMENT FOR TYCO ELECTRONICS CORPORATION. IT IS SUBJECT TO CHANGE AND THE CONTROLLING ENGINEERING ORGANIZATION SHOULD BE CONTACTED FOR THE LATEST REVISION.

DWN R. GRZYBOWSKI 12FEB07	Tyco Electronics Harrisburg, PA 17105-3608
CHK P. DAMATO 12FEB07	
APVD S. FLICKINGER 12FEB07	
NAME SOCKET CONNECTOR, STRAIGHT SOLDER, FPI16 FLATPAQ	
DIMENSIONS: mm	TOLERANCES UNLESS OTHERWISE SPECIFIED: 0 PLC ±.3 1 PLC ±.3 2 PLC ±.15 3 PLC ±.15 4 PLC ±.15 ANGLES ±.5
MATERIAL	FINISH
SIZE CAGE CODE DRAWING NO. RESTRICTED TO A200779G-1926324 -	
CUSTOMER DRAWING	
SCALE 4:1 SHEET 2 OF 3 REV A	

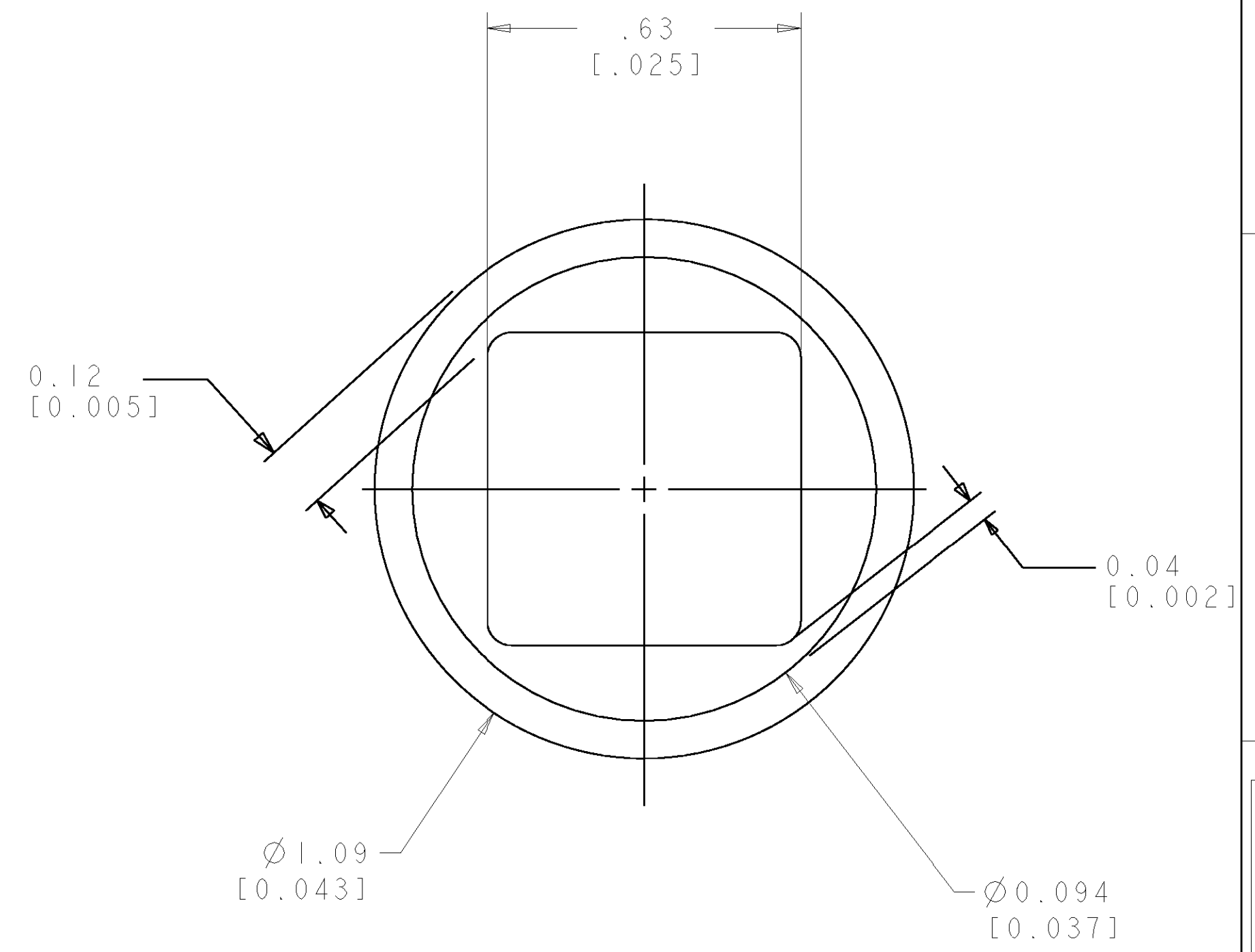
ELCON FLATPAQ

THIS DRAWING IS UNPUBLISHED. RELEASED FOR PUBLICATION 20
 © COPYRIGHT 20 BY TYCO ELECTRONICS CORPORATION. ALL RIGHTS RESERVED.

LOC	DIST	REVISIONS			
P	LTR	DESCRIPTION	DATE	DWN	APVD
GP	00	-	SEE SHEET 1	-	-



5. SOLDER PIN DETAIL
SCALE 10:1



△ SOLDER TERMINATION AREA
 SCALE 40:1
 RECOMMENDED PRINTED CIRCUIT SOLDER HOLE
 FINISHED HOLE: Ø1.02 [.040] ±.08 [.003]
 DRILLED HOLE: Ø1.15 [.0453] ±.013 [.0005]
 COPPER PLATE: .025 [.0010] MIN
 TIN PLATE: .008 [.0003] MIN. (PER SURFACE)

ELCON FLATPAQ

<small>THIS DRAWING IS A CONTROLLED DOCUMENT FOR TYCO ELECTRONICS CORPORATION IT IS SUBJECT TO CHANGE AND THE CONTROLLING ENGINEERING ORGANIZATION SHOULD BE CONTACTED FOR THE LATEST REVISION.</small>		DWN R. GRZYBOWSKI 12FEB07 CHK P. DAMATO 12FEB07 APVD S. FLICKINGER 12FEB07	tyco Tyco Electronics Electronics Harrisburg, PA 17105-3608
DIMENSIONS: mm	TOLERANCES UNLESS OTHERWISE SPECIFIED: 0 PLC ±.3 1 PLC ±.3 2 PLC ±.15 3 PLC ±.15 4 PLC ±.15 ANGLES ±.5 FINISH	PRODUCT SPEC APPLICATION SPEC WEIGHT	NAME SOCKET CONNECTOR, STRAIGHT SOLDER, FPI16 FLATPAQ SIZE A2 CAGE CODE 00779 DRAWING NO. C-1926324 RESTRICTED TO
MATERIAL		CUSTOMER DRAWING	SCALE 4:1 SHEET 3 OF 3 REV A