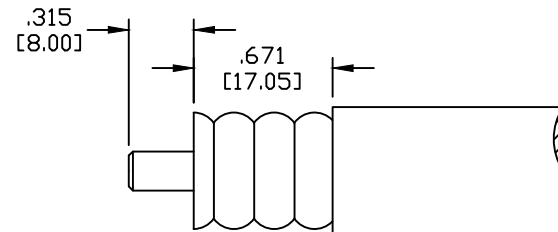
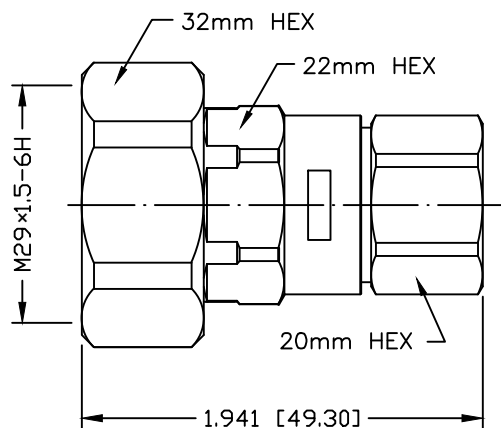


PART NO.

**RFD-1601C-H1**

REV	DESCRIPTION	DWN	DATE	APPROVED
A	UPDATED TRIM TOOL P/N	CZS	07/19/19	JDMc



RECOMMENDED STRIPING DIMENSIONS

USE OF CABLE TRIM TOOL IS RECOMMENDED  
 USE COMPATIBLE TRIM TOOL SUCH AS TRIM-SET-C12-C02

**SPECIFICATIONS:**

INTERFACE: IEC61169-4  
 IMPEDANCE: 50 OHMS  
 FREQUENCY RANGE: DC-3 GHz  
 VSWR MAX: <1.15:1  
 3rd ORDER IM: ≤-155 dBc  
 DIELECTRIC WITHSTANDING VOLTAGE: 1500V  
 INSULATION RESISTANCE: 10000M OHM  
 TEMPERATURE RANGE: -40°C TO +155°C  
 FOR LCF12-50JFN, LDF4-50A, ICA12-50JPL, PD353784 & SPF CABLE

12	TUBING (NOT SHOWN)	1	HEAT SHRINK	---
11	COUPLING NUT	1	BRASS	WHITE BRONZE
10	RETAINING RING	1	BeCu	WHITE BRONZE
9	O-RING	1	SI RUBBER	---
8	O-RING	1	SI RUBBER	---
7	O-RING	1	SI RUBBER	---
6	COLLET RING	1	BRASS	WHITE BRONZE
5	COLLET FLARE	1	BRASS	WHITE BRONZE
4	INSULATOR	1	PTFE	---
3	PIN	1	BRASS	SILVER
2	INSULATOR	1	PTFE	---
1	BODY	1	BRASS	WHITE BRONZE
#	DESCRIPTION	QTY	MATERIAL	FINISH

CUSTOMER  
OUTLINE DRAWINGALL DIMENSIONS  
ARE REFERENCE ONLYUNLESS OTHERWISE SPECIFIED:  
DIMENSIONS ARE IN INCHES  
AND [MILLIMETERS]DRAWN  
C. ZUNIGA 07/19/19  
CHECKEDORJ DRAWN  
C. ZUNIGA 08/08/16**RoHS  
COMPLIANT**

PROPRIETARY AND CONFIDENTIAL  
 THIS DRAWING CONTAINS  
 INFORMATION PROPRIETARY TO  
 RF INDUSTRIES. ANY  
 UNAUTHORIZED USE OF THIS  
 DRAWING IS EXPRESSLY  
 PROHIBITED WITHOUT WRITTEN  
 PERMISSION FROM RF  
 INDUSTRIES. ANY VIOLATION IS  
 PUNISHABLE UNDER U.S.  
 COPYRIGHT LAWS.

**RFconnectors**7610 MIRAMAR RD.  
SAN DIEGO, CA 92126  
(858) 549-6340  
DIVISION OF RF INDUSTRIES, LTD. (858) 549-6345 FAX**7/16 DIN MALE CAPTIVATED CLAMP**

FOR 1/2" FLEXIBLE CORRUGATED CABLE

SIZE	CABLE GROUP	DWG NO.	REVISION
A	H1	<b>RFD-1601C-H1</b>	A
SCALE:	ENGINEERING ID:	000000	SHEET 1 OF 1
NTS			