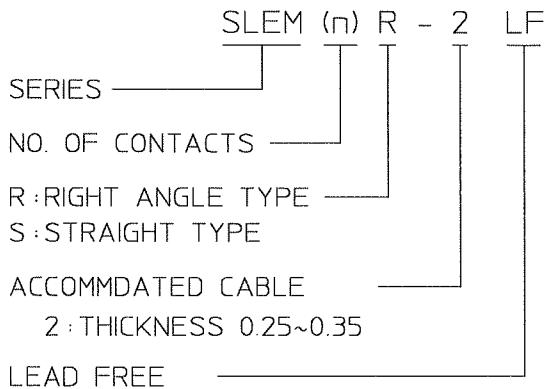


CAT. NO. & DIMENSIONS

NO. OF CONTACTS (n)	CAT. NO.		DIMENSIONS (NOTE)	
	RIGHT ANGLE TYPE	STRAIGHT TYPE	A ±0.3	B ±0.1
4	SLEM4R-2LF	SLEM4S-2LF	11.25	6.45
5	SLEM5R-2LF	SLEM5S-2LF	12.50	7.70
6	SLEM6R-2LF	SLEM6S-2LF	13.75	8.95
7	SLEM7R-2LF	SLEM7S-2LF	15.00	10.20
8	SLEM8R-2LF	SLEM8S-2LF	16.25	11.45
9	SLEM9R-2LF	SLEM9S-2LF	17.50	12.70
10	SLEM10R-2LF	SLEM10S-2LF	18.75	13.95
11	SLEM11R-2LF	SLEM11S-2LF	20.00	15.20
12	SLEM12R-2LF	SLEM12S-2LF	21.25	16.45
13	SLEM13R-2LF	SLEM13S-2LF	22.50	17.70
14	SLEM14R-2LF	SLEM14S-2LF	23.75	18.95
15	SLEM15R-2LF	SLEM15S-2LF	25.00	20.20
16	SLEM16R-2LF	SLEM16S-2LF	26.25	21.45
17	SLEM17R-2LF	SLEM17S-2LF	27.50	22.70
18	SLEM18R-2LF	SLEM18S-2LF	28.75	23.95
19	SLEM19R-2LF	SLEM19S-2LF	30.00	25.20
20	SLEM20R-2LF	SLEM20S-2LF	31.25	26.45
21	SLEM21R-2LF	SLEM21S-2LF	32.50	27.70
22	SLEM22R-2LF	SLEM22S-2LF	33.75	28.95
23	SLEM23R-2LF	SLEM23S-2LF	35.00	30.20
24	SLEM24R-2LF	SLEM24S-2LF	36.25	31.45
25	SLEM25R-2LF	SLEM25S-2LF	37.50	32.70
26	SLEM26R-2LF	SLEM26S-2LF	38.75	33.95
27	SLEM27R-2LF	SLEM27S-2LF	40.00	35.20
28	SLEM28R-2LF	SLEM28S-2LF	41.25	36.45
29	SLEM29R-2LF	SLEM29S-2LF	42.50	37.70
30	SLEM30R-2LF	SLEM30S-2LF	43.75	38.95

STRUCTURE OF CAT. NO.



NOTE: DIM. A & B REFER TO DWG. OF PRODUCT.



FCIconnect.com

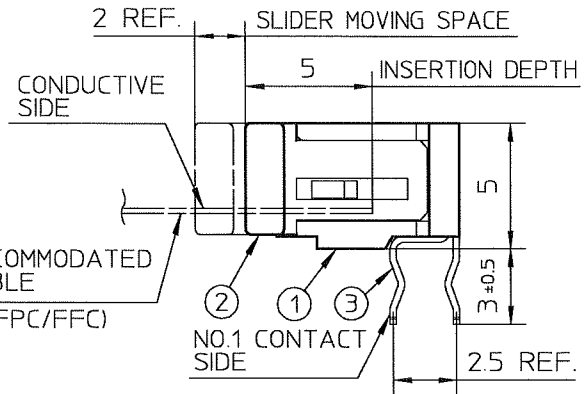
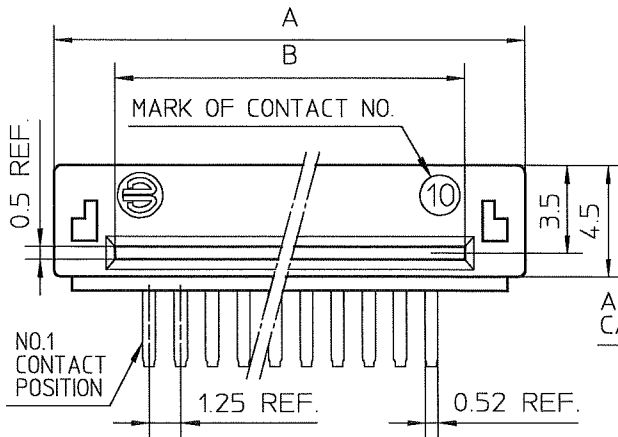
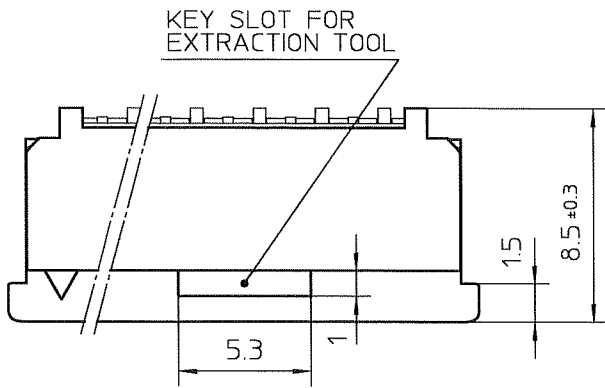
Copyright FCI

mat'l. code				surface ISO 1302 ✓		tolerance ISO 406 ISO 1101		projection 		product family 58KF				
ltr	ecn no	dr	date	tolerances unless otherwise specified				 scale X		title CAT. NO. TABLE FOR 1.25mm SPACING CONNECTOR FOR FPC/FFC (Cat. No. SLEM_R/S-2LF)				
A	J04-0029	H.T	5/11/04	angles	linear									
B	J05-0080	H.T	2/15/05											
C	J06-0501	H.T	11/28/06						dwg no		sheet 1 of 1		size	
									JSA 95982				A4	
									type Product Customer Drawing					
sheet index		revision	C									Rev		
		sheet	1									C		



FCconnect.com

Copyright FCJ

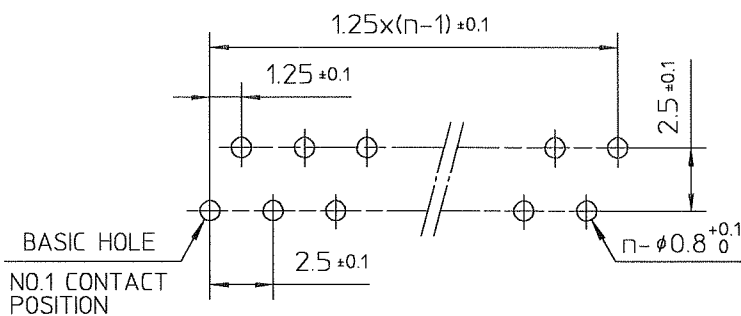


PT. NO.	PARTS NAME	MATERIAL	Q'TY	NOTE
1	HOUSING	PBT RESIN GLASS REINFORCED	1	COLOR : BLACK
2	SLIDER	(UL94V-0)	1	
3	CONTACT	PHOSPHOR BRONZE	n	PLATING : TIN (LEAD FREE)

n : NO. OF CONTACTS

RECOMMENDED PC BOARD

THICKNESS : 1.0~1.6
HOLE PATTERN (COMPONENT SIDE)



NOTE

1. THIS PRODUCT MEETS EUROPEAN UNION DIRECTIVES AND OTHER COUNTRY REGULATIONS AS DESCRIBED IN GS-22-008.
2. THE HOUSING WILL WITHSTAND EXPOSURE TO 260°C PEAK TEMPERATURE FOR 10 SECONDS IN A WAVE SOLDER APPLICATION A 1.6mm THICK CIRCUIT BOARD.

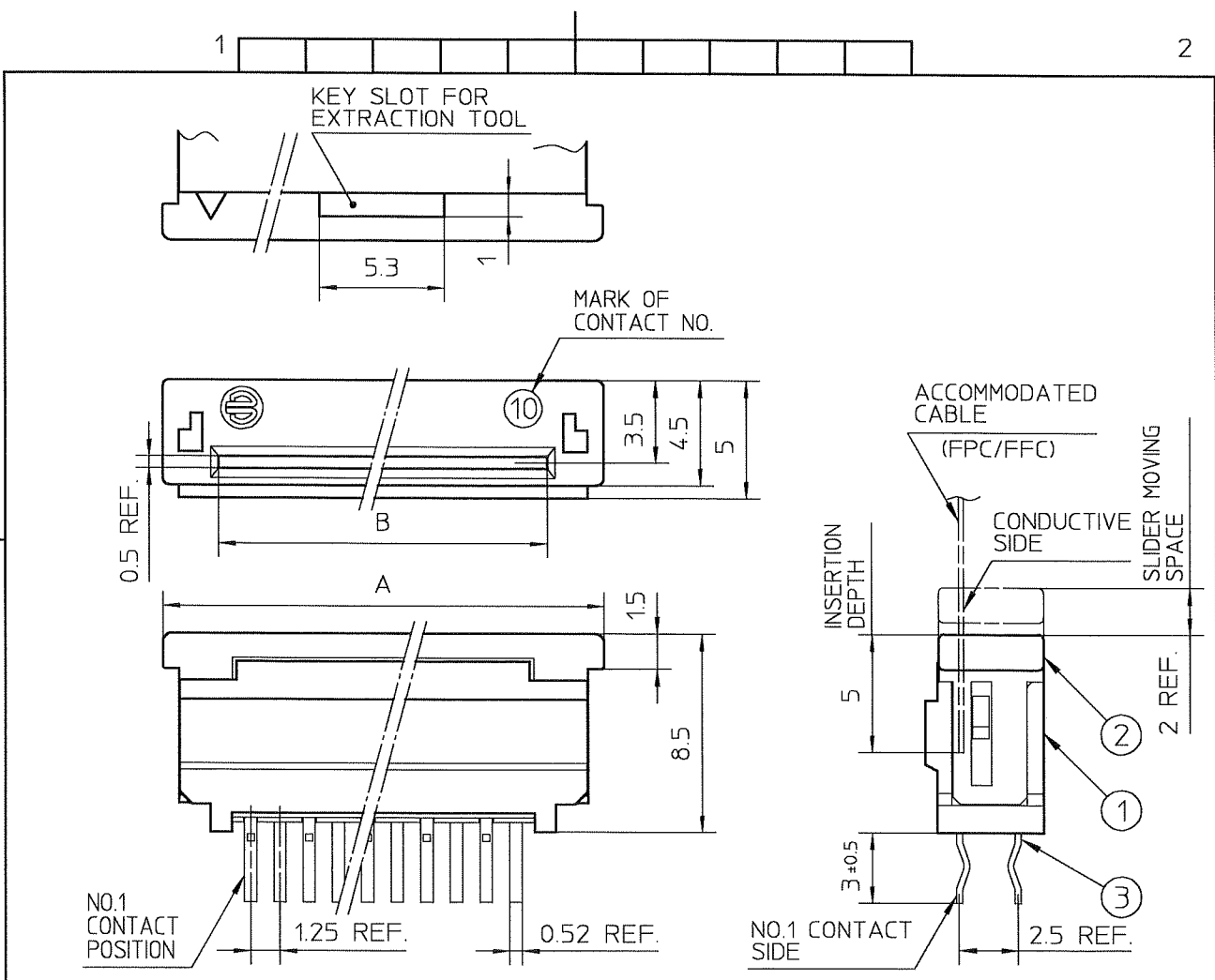
mat'l. code				surface ISO 1302 ✓	tolerance ISO 406 ISO 1101	projection 	product family 58KF			
ltr	ecn no	dr	date	tolerances unless otherwise specified			title 125mm SPACING CONNECTOR FOR FPC/FFC (Cat. No. SLEM_R-2LF)			
A	J04-0029	H.T	5/11/04	angles	±0.2		dwg no sheet 1 of 1			
B	J05-0080	H.T	2/15/05	linear			JSA 95983			
C	J05-0712	H.T	10/21/05	dr	<i>H. Takahashi</i> 11/28/06		size A4			
D	J06-0501	H.T	11/28/06	engr	<i>H. Takahashi</i> 11/28/06		type Product Customer Drawing			
				chr	<i>R. Shouji</i> 11/28/06	Rev				
				appd	<i>S. Okudama</i> 11/28/06	D				
sheet index	revision	D								
	sheet	1								

SC-SLEM02 JSA95982
form: A4



FCIconnect.com

Copyright FCI

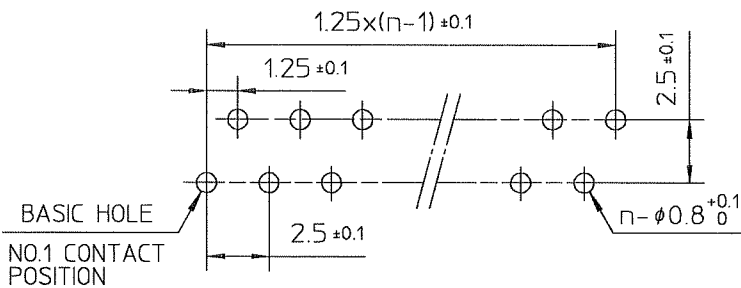


PT. NO.	PARTS NAME	MATERIAL	Q'TY	NOTE
1	HOUSING	PBT RESIN GLASS REINFORCED	1	COLOR : BLACK
2	SLIDER	(UL94V-0)	1	
3	CONTACT	PHOSPHOR BRONZE	n	PLATING : TIN (LEAD FREE)

n : NO. OF CONTACTS

RECOMMENDED PC BOARD

THICKNESS : 1.0~1.6
HOLE PATTERN (COMPONENT SIDE)



NOTE

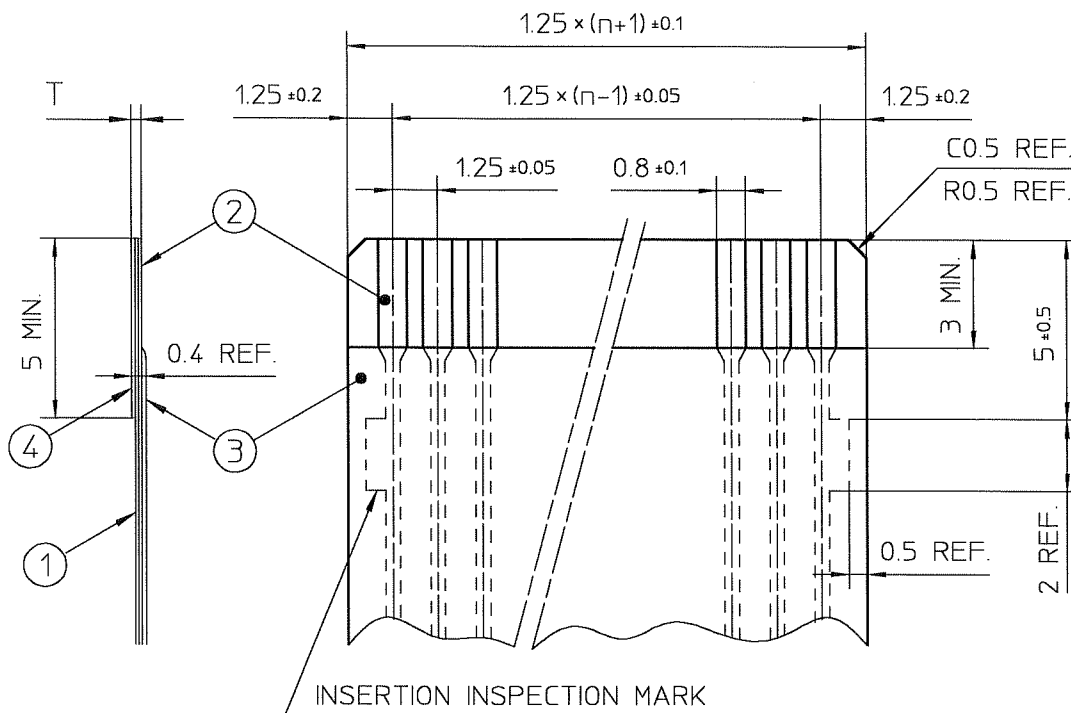
1. THIS PRODUCT MEETS EUROPEAN UNION DIRECTIVES AND OTHER COUNTRY REGULATIONS AS DESCRIBED IN GS-22-008.
2. THE HOUSING WILL WITHSTAND EXPOSURE TO 260c PEAK TEMPERATURE FOR 10 SECONDS IN A WAVE SOLDER APPLICATION A 1.6mm THICK CIRCUIT BOARD.

mat'l. code				surface ISO 1302 ✓		tolerance ISO 406 ISO 1101		projection		product family 58KF			
ltr	ecn no	dr	date	tolerances unless otherwise specified						title 1.25mm SPACING CONNECTOR FOR FPC/FFC (Cat. No. SLEM__S-2LF)			
A	J04-0029	H.T	5/11/04	angles	linear ±0.2							scale X	
B	J05-0080	H.T	2/15/05							dwg no JSA 95984 sheet 1 of 1 size A4			
C	J05-0712	H.T	10/21/05									type Product Customer Drawing	
D	J06-0501	H.T	11/28/06	dr	11/28/06								
				enr	11/28/06								
				chr	11/28/06								
				appd	11/28/06								
sheet index	revision sheet	D	1										

SC-SLEM02 JSA95982
form: A4

RECOMMENDED CABLE (FPC)

n : NO. OF CONDUCTORS



PT. NO.	PARTS NAME	MATERIAL
1	BASE FILM	POLYIMIDE OR EQUAL
2	CONDUCTOR	COPPER FOIL (PLATING : TIN OR SOLDER 1μm MIN.)
3	OVERLAY	POLYIMIDE OR EQUAL
4	SUPPORTING TAPE	POLYESTER, POLYIMIDE OR EQUAL

THICKNESS

SUPPORTING TAPE	ACCOMMODATED CONNECTOR CAT. NO.	DIMENSION T
NO	SLEM__R/S-1	0.08~0.13
YES	SLEM__R/S-2	0.25~0.35

NOTES

1. NO BURR AT EACH PORTION.
2. NO PEELING IN COMMON USE.

mat'l. code				surface ISO 1302 ✓		tolerance ISO 406 ISO 1101		projection		product family 58KF	
ltr				ecn no		dr		date		title	
1				---		H.T		10/15/98		RECOMMENDED CABLE (FPC)	
A				J06-0501		H.T		11/28/06		(Cat. No. SLEM __R/S-1/2.)	
				angles		linear		scale X		dwg no	
										sheet 1 of 1	
				dr		engr		chr		JSA 28970	
				S. Ito		H. Ito		K. Ito		A4	
				appd		S. Ito		H. Ito		type Product Customer Drawing	
sheet index		revision sheet		A		1				Rev	
										A	



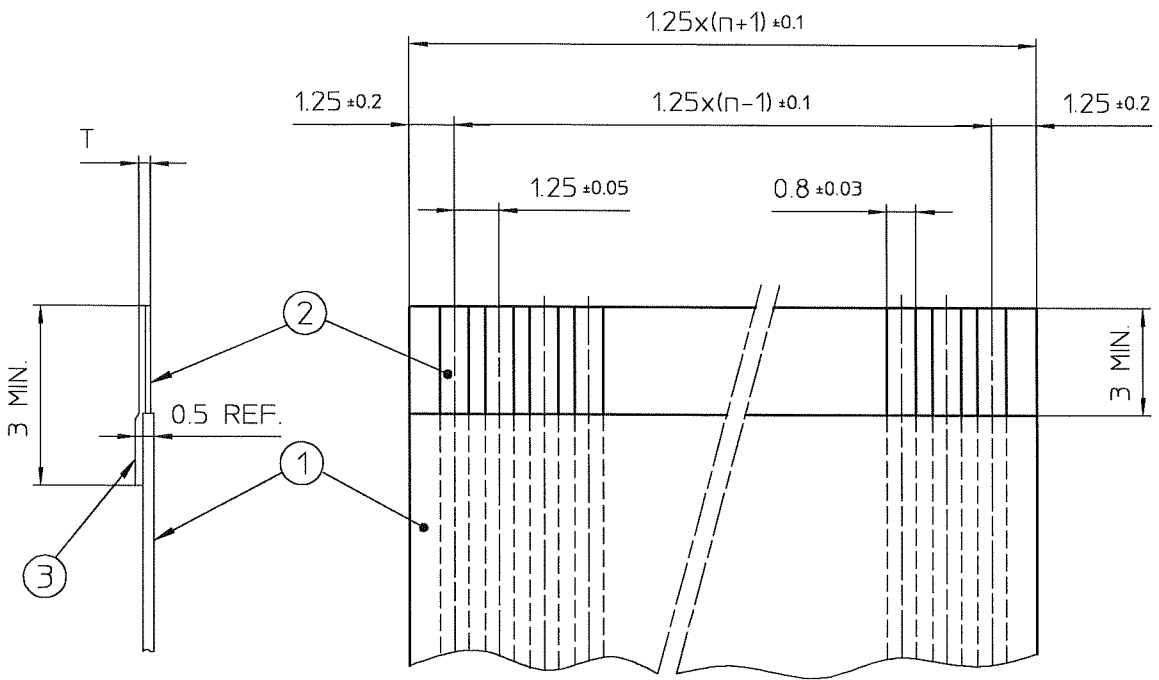
FCIconnect.com

Copyright FCI



RECOMMENDED CABLE (FFC)

n : NO. OF CONDUCTORS



PT. NO.	PARTS NAME	MATERIAL
1	INSULATOR	POLYESTER OR EQUAL
2	CONDUCTOR	COPPER FOIL(PLATING : TIN OR SOLDER 1μm MIN.)
3	SUPPORTING TAPE	POLYESTER OR EQUAL

THICKNESS

SUPPORTING TAPE	ACCOMMODATED CONNECTOR CAT. NO.	DIMENSION T
YES	SLEM_R/S-2	0.25~0.35

NOTES

1. NO BURR AT EACH PORTION.
2. NO PEELING IN COMMON USE.

mat'l. code				surface ISO 1302 ✓		tolerance ISO 406 ISO 1101		projection		product family 58KF		
ltr	ecn no	dr	date	tolerances unless otherwise specified				scale X		title RECOMMENDED CABLE (FFC) (Cat. No. SLEM_R/S-2)		
1		H.T	10/15/98	angles	linear							
A	J06-0501	H.T	11/28/06							dwg no JSA 28971 sheet 1 of 1 size A4		
				dr	<i>H. Takahashi</i>	11/28/06				type Product Customer Drawing		
				enr	<i>H. Takahashi</i>	11/28/06						
				chr	<i>K. S. Iwase</i>	11/28/06						
				appd	<i>S. Okada</i>	11/28/06						
sheet index	revision sheet	A	1									Rev A



FCJconnect.com

Copyright FCJ